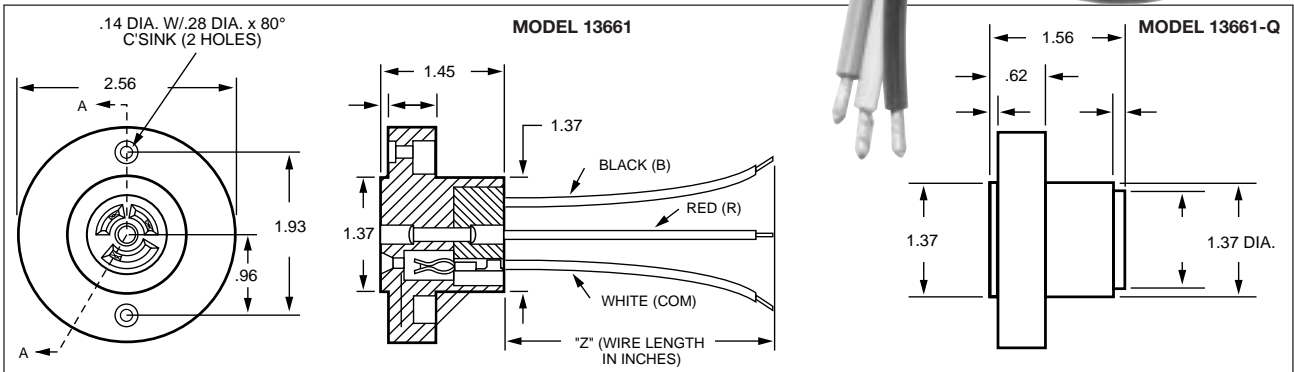
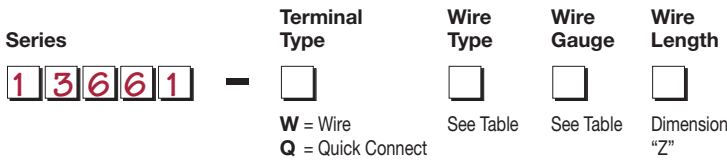


Photo Control Receptacle Series

- 3-pole, 3-wire receptacles for plug-in, locking type photo controls used in outdoor areas and roadway lighting.
- Receptacle configuration, terminals and limiting dimensions are in accordance with Figure 3 of EE Pub. No. TDJ-146, NEMA Pub. No. SH 16-1962 and UL 773.
- Wire types and sizes ranging from #12 AWG through 16 AWG rated at 600V with temperature ratings from 105° to 200°C.
- Hook-up wires are an integral part of the assembly with lengths furnished to customer specification.
- Available with .250 quick-connect terminals in lieu of wire leads (13661-Q).
- UL recognized under file E65288 for a rating of 1 KW or 1800VA for potentials up to 480V.
- CSA certified under file LR21295 for 15 amps at 125V.
- CE Pending.



Part Numbering System



ASS'Y NO.	WIRE DESCRIPTION
13661-W1XX	Min. of 26 Strands, Copper Conductor, 125°C-600V Crosslinked Polyethylene.
13661-W2XX	Min. of 26 Strands, Copper Conductor, Silicone Rubber Insulation And Fiber Glass Braid Jacket, Nec. Type SFF-2(150°C)
13661-W3XX	Min. Of 26 Strands, Copper Conductor, Type TW, 105°C-600V Insulation (16 gauge only).
13661-W4XX	Min. of 7 Strands, Copper Conductor Of .0192 Silicone Rubber Insulation And Fiber Glass Braid Jacket, Nec. Type SF-2 (200°C)
13661-W5XX	Min. Of 19 Strands, Copper Conductor, Type AWM. 105°C-600V Insulation.

ASS'Y NO.	GAUGE
13661-WX2X	12 Gauge
13661-WX4X	14 Gauge
13661-WX6X	16 Gauge



Disconnect Blocks

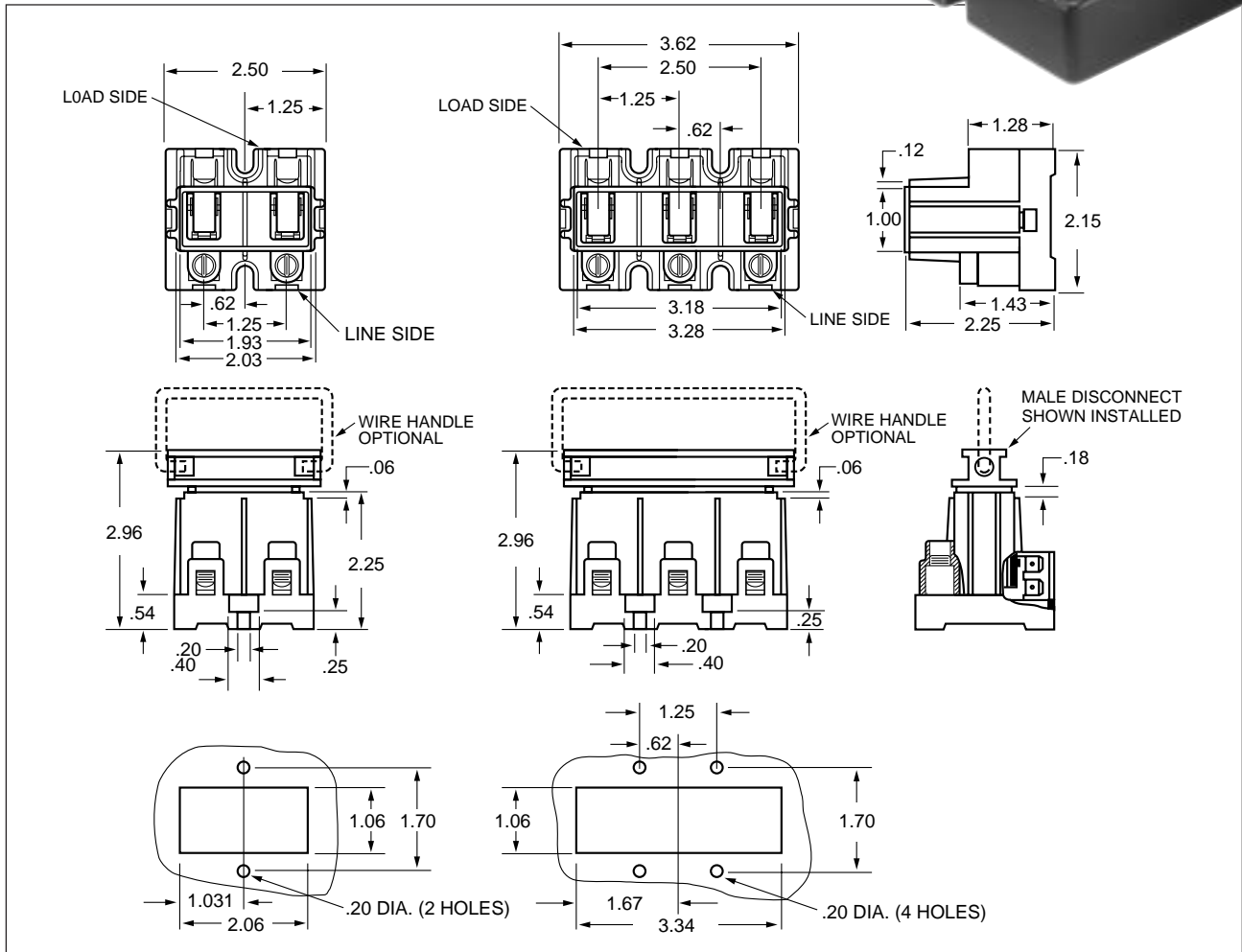
Nonfused, Disconnects

- Ratings: 60A, 240V
- Wire Range: #2-14 CU/#8 AL
- Available in both 2 and 3 pole versions for both single and three phase systems.
- Compact, one-piece thermoplastic housing is rated to 150°C.
- Box connector or quick-connect terminations available on load side. Box connector standard on line side.
- Body of disconnect can be mounted enabling disconnect head (pull-out) to interlock with door to insure power is off when door is open.
- UL E120756; CSA LR 37129; CE Pending.



Part Numbering System

Series	Poles	Line Side Connections	Load Side Connections	Options
N D - 1 2 6 0	<input type="checkbox"/>	<input type="checkbox"/>	<input type="checkbox"/>	<input type="checkbox"/>
	2 3	C = Box Connection	C = Box Connection Q = (4) .250" Quick-Connects	H = Wire Handle



BIF document: 1435



Look for other reliable products in these comprehensive catalogs . . .

Circuit Protection

Products for the DC mobile and AC supplementary circuit protection requirements including Shortstop[®], Flat-Pak[®] and Hi-Amp[™] auto, manual or modified reset and switchable circuit protectors, Maxi[™] ATC[®], ATM[®] blade type circuit protectors, Stud Type Junction Blocks, Small Dimension Fuse Panels, Battery Disconnect Switches and Power Distribution Modules.

MAGNUM[®] Terminal Blocks

A complete line of conventional terminal blocks in an easy-to-use catalog. Includes Single Row, Double Row, Depluggable and Edge Connectors, Interface Systems and accessories. Popular center spacings include .250", .325", .375", .437", .562" and .687" with the industry's most comprehensive range of options.

MAGNUM[®] Euro-Mag Terminal Blocks

MAGNUM[®] has just expanded it's product line to include European style PCB terminal blocks. These blocks are available in sizes ranging from 3.81mm to 10.16mm centers. Configurations include single, two-tier, depluggable and screwless. All blocks have full agency approvals and are available in horizontal, vertical, and 45° wire orientations.

MAGNUM[®]

GET CONNECTED WITH US

BUSSMANN CIRCUIT COMPONENTS • 7300 W. Wilson Ave. • Chicago, IL 60656-4708 • Fax: 800-832-9873 • Phone: 888-YES MAGNUM
Website: <http://www.busscc.com>

An ISO 9001 Quality System Certified Facility