

Power Blocks
Series 11675 & 11725

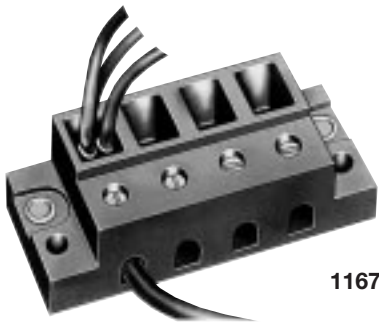


Quick-Connect Power Distribution Blocks Inches (Millimeters)

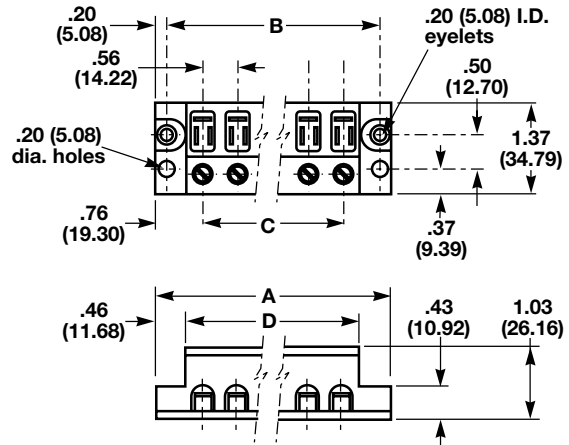
Series 11675

SPECIFICATIONS

Ratings: 40A, 250V; UL/CSA
Poles: 2 to 6 poles with (3) .250" quick-connect terminals per pole.
Input wire sizes: #8 – #14 CU
Torque rating: 18 in/lb max.
Operating temperature: 150°C
Design: Screw connections for field wiring. Quick connects reduce cost of internal wiring.
Agency approvals: UL E62622; CSA LR15364; CE Pending



11675-4

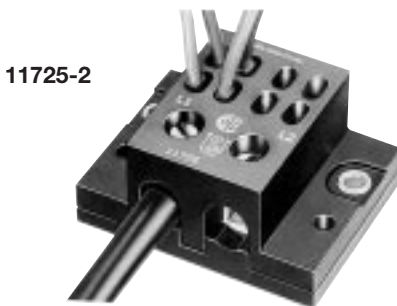


Part Number	A	B	C	D
11675-2	2.09	1.68	.56	1.15
11675-3	2.66	2.25	1.12	1.71
11675-4	3.22	2.81	1.68	2.28
11675-5	3.78	3.37	2.25	2.84
11675-6	4.34	3.93	2.81	3.40

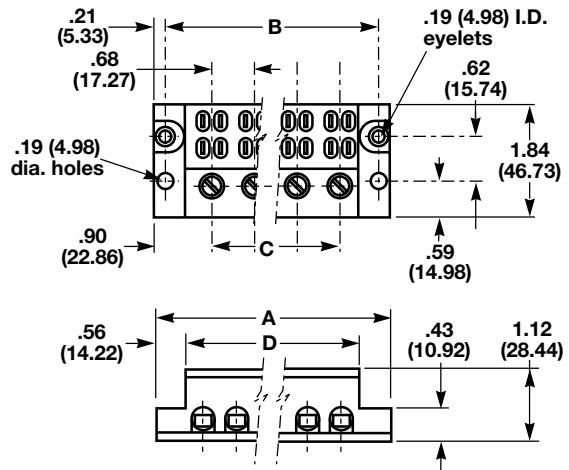
Series 11725

SPECIFICATIONS

Ratings: 70A, 600V; UL/CSA
Poles: 2, 3 or 4 poles with (4) .250" quick-connect terminals per pole.
Input wire sizes: #2 – #14 CU/#8 AL
Torque rating: 45 in/lb max.
Operating temperature: 150°C
Design: Screw connections for field wiring. Quick connects reduce cost of internal wiring.
Agency approvals: UL E62622; CSA LR15364; CE Pending



11725-2



Part Number	A	B	C	D
11725-2	2.50	2.06	.68	1.37
11725-3	3.18	2.75	1.37	2.06
11725-4	3.87	3.43	2.06	2.75



Barrier & Dead Front Terminal Blocks

Series 14002 & 14004

Barrier Terminal Blocks

Inches (Millimeters)

Series 14002

SPECIFICATIONS

Ratings: 115A, 600V; UL/CSA

Poles: 2 to 6 poles

Wire sizes: #2 – #14 CU/#8 AL

Operating temperature: 150°C

Marking: Marking strip optional, consult factory.

Options: CP = Pressure plate, rated 60A, 600V

Q = Quick-Connect, rated 50A, 600V

To order options, enter letter code

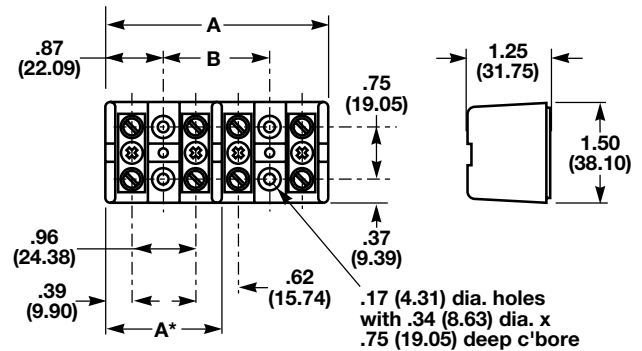
in front of Part No.: ie; CP14002-2

Agency approvals: UL E62622; CSA LR15364;

CE Pending



14002-2



Part Number	A	B
14002-2	1.75	–
14002-3	2.37	–
14002-4	3.34	1.59
14002-5	3.96	2.21
14002-6	4.59	2.84

Note: "A" dimension for 14002-2 & 14002-3 only.
(14002-2 & 14002-3 have only two mounting holes.)

Dead Front Terminal Blocks

Inches (Millimeters)

Series 14004

SPECIFICATIONS

Ratings: 90A, 600V; UL/CSA

Poles: 2 to 12 poles

Wire sizes: #4 – #14 CU/#8AL

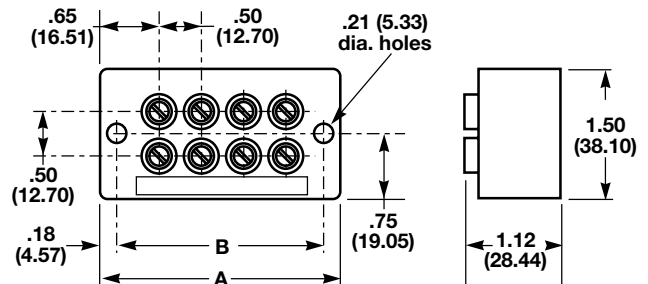
Operating temperature: 75°C

Marking: Marking strip optional, consult factory.

Agency approvals: UL E62622; CSA LR15364



14004-4



Part Number	A	B
14004-2	1.81	1.43
14004-3	2.31	1.93
14004-4	2.81	2.43
14004-5	3.31	2.93
14004-6	3.81	3.43
14004-7	4.31	3.93
14004-8	4.81	4.93
14004-9	5.31	4.93
14004-10	5.81	5.43
14004-11	6.31	5.93
14004-12	6.81	6.43

BIF document: 1429



Splicer Terminal Blocks

Inches (Millimeters)

Series 160, 162, 163 & 165

SPECIFICATIONS

Ratings: To 620A, 600V; UL/CSA. See table.

Materials: Molded material: Black, UL rated 94V-0 thermoplastic

Operating Temperature: 150°C

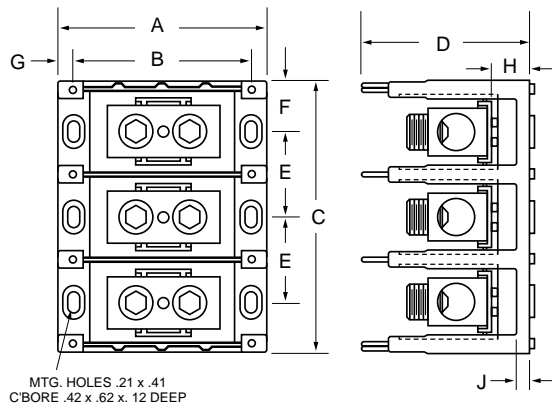
Marking: Marker strip is optional, consult factory.

Agency approvals: UL E62622 General Industrial Class per UL 1059; CSA LR15364; CE Pending

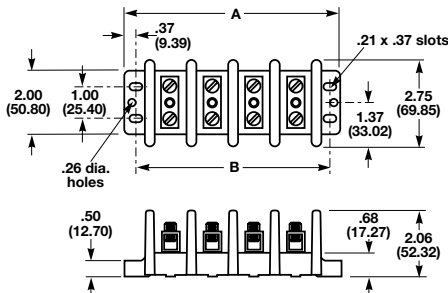


Part Number	Line Connection	Load Connection	Connector Material & Ampacity	Agency Approvals
*16000	2/0-#8CU-AL	2/0-#8 CU-AL	AL-175A	UL -
*16003	250MCM-#6CU	250MCM-#6CU	CU-255A	UL -
*16005	350MCM-#6CU-AL	350MCM-#6CU-AL	AL-310A	UL -
16200	#2-#14CU/#8AL	#2-#14CU/#8AL	AL-115A	UL CSA
16201	1/0-#14CU	1/0-#14CU	CU-150A	UL CSA
16204	2/0-#8CU-AL	2/0-#8CU-AL	AL-175A	UL CSA
16301	250MCM-#6CU	250MCM-#6CU	CU-255A	UL CSA
16303	350MCM-#6CU-AL	350MCM-#6CU-AL	AL-310A	UL CSA
16306	500MCM-#6CU-AL	500MCM-#6CU-AL	AL-380A	UL CSA
16500	(2)350MCM-#4CU-AL	(2)350MCM-#4CU-AL	AL-620A	UL CSA
16504	(2)500MCM-#6CU-AL	(2)500MCM-#6CU-AL	AL-760A	UL CSA

* 160 Series Bases have mounting holes outside the barriers. Other bases (162 through 165) have mounting holes within barriers. See dimensional drawings.

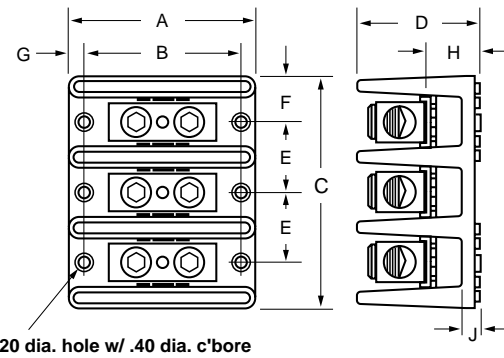


Series 163 (1, 2, & 3-pole available)



Series 160 (2, 3, & 4-pole available)

No. of Poles	A	B
2	4.12	3.62
3	5.37	4.87
4	6.62	6.12



Series 162 & 165 (1, 2, & 3-pole available)

Series	A	B	C			J
			1-pole	2-pole	3-pole	
162	2.87	2.25	1.06	1.87	2.68	
163	4.00	3.37	1.96	3.58	5.20	
165	5.50	4.75	3.12	5.81	8.50	
Series	D	E	F	G	H	J
162	1.75	.81	.53	.31	.84	.31
163	3.32	1.62	.97	.31	.87	.35
165	3.12	2.68	1.56	.37	1.37	.62

BIF document: 1430



For complete specification data, call Bussmann Information Fax ~ 314.527.1450

Power Blocks

Power Distribution Blocks

Inches (Millimeters)

Series 160, 162, 163 & 165

SPECIFICATIONS

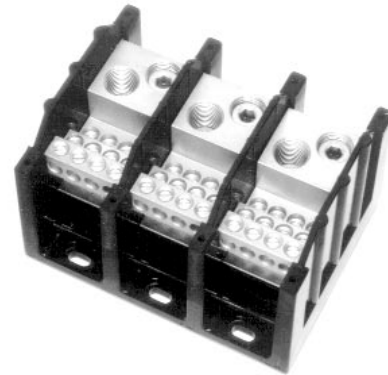
Ratings: To 840A, 600V; UL/CSA. See table.

Materials: Molded material: Black, UL rated 94V-0 thermoplastic

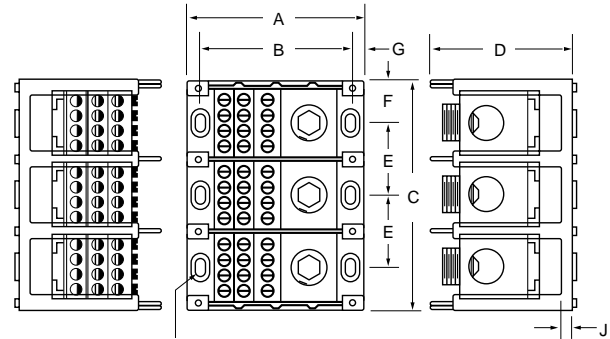
Operating Temperature: 150°C

Marking: Marker strip is optional; consult factory.

Agency approvals: UL E62622 General Industrial Class per UL 1059; CSA LR15364; CE Pending



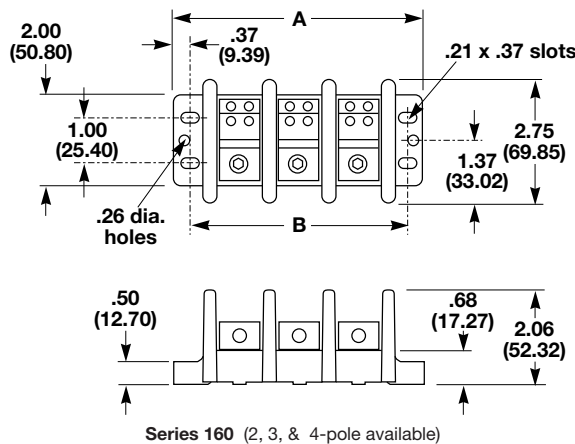
Part Number	Line Connection	Load Connection	Connector Material & Ampacity	Agency Approvals
*16021	2/0-#14CU/#8AL	⁽⁶⁾ #4-#14CU/#8AL	AL-175A	UL CSA
*16023	350MCM-#6CU-AL	⁽⁶⁾ #4-#14CU/#8AL	AL-310A	UL CSA
16220	2/0-#14CU/#8AL	⁽⁴⁾ #4-#14CU/#8AL	AL-175A	UL CSA
16321	2/0-#14CU-AL	⁽⁶⁾ #4-#14CU/#8AL	AL-175A	UL CSA
16323	350MCM-#6CU-AL	⁽⁶⁾ #4-#14CU/#8AL	AL-310A	UL CSA
16325	⁽²⁾ 2/0-#14CU/#8AL	⁽⁶⁾ #4-#14CU/#8AL	AL-350A	UL CSA
16330	500MCM-#6CU-AL	⁽⁶⁾ #2-#14CU/#8AL	AL-380A	UL CSA
16332	350MCM-#6CU-AL	⁽³⁾ #2-#14CU/#8AL & ⁽²⁾ 1/0-#14CU/#8AL	AL-310A	UL CSA
16335	500MCM-#6CU-AL	⁽³⁾ #2-#14CU/#8AL & ⁽²⁾ 1/0-#14CU/#8AL	AL-380A	UL CSA
16370	350MCM-#6CU-AL	⁽¹²⁾ #4-#14CU/#8AL	AL-310A	UL CSA
16371	350MCM-#6CU-AL	⁽⁶⁾ #2-#14CU/#8AL	AL-310A	UL CSA
16372	350MCM-#6CU-AL	⁽²¹⁾ #10-#14CU/#10AL	AL-310A	UL CSA
16373	350MCM-#6CU-AL	⁽³⁾ 1/0-#14CU/#8AL	AL-310A	UL CSA
16375	600MCM-#2CU-AL	⁽¹⁴⁾ #10-#14CU/#8AL	AL-420A	UL CSA
16376	600MCM-#2CU-AL	⁽²⁾ #4-#14CU/#8AL	AL-420A	UL CSA
16377	⁽²⁾ 300MCM-#2CU-AL	⁽¹²⁾ #4-#14CU/#8AL	AL-570A	UL -
16528	⁽²⁾ 600MCM-#2CU-AL	⁽⁴⁾ 3/0-#8CU-AL	AL-840A	UL CSA
16530	⁽²⁾ 500MCM-#6CU-AL	⁽³⁾ 1/0-#14CU-8AL & ⁽⁴⁾ #4-#14CU/#8AL	AL-760A	UL CSA



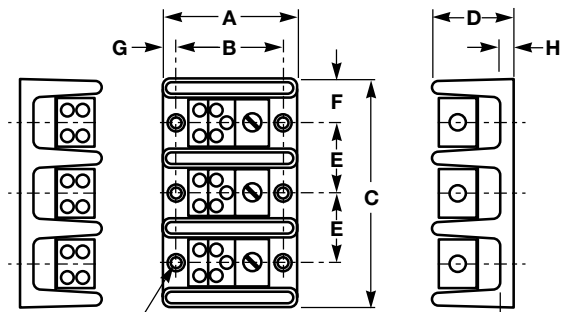
MTG. HOLES .21 x .41
CBORE .42 x .62 x .12 DEEP

Series 163 (1, 2, & 3-pole available)

* 160 Series Bases have mounting holes outside the barriers. Other bases (162 through 165) have mounting holes within barriers. See dimensional drawings.



Series 160 (2, 3, & 4-pole available)



Series 162 & 165 (1, 2, & 3-pole available)

No. of Poles	A	B
2	4.12	3.62
3	5.37	4.87
4	6.62	6.12

Series	A	B	C			J
			1-pole	2-pole	3-pole	
162	2.87	2.25	1.06	1.87	2.68	
163	4.00	3.37	1.96	3.58	5.20	
165	5.50	4.75	3.12	5.81	8.50	
Series	D	E	F	G	H	J
162	1.75	.81	.53	.31	.84	.31
163	3.32	1.62	.97	.31	.87	.35
165	3.12	2.68	1.56	.37	1.37	.62

BIF document: 1431



Power Blocks

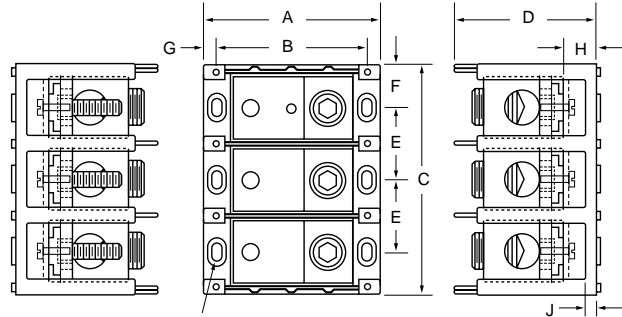


Connector/Stud Power Distribution Blocks Inches (Millimeters)

Series 162, 163 & 165

SPECIFICATIONS

Ratings: To 760A, 600V; UL/CSA. See table.
Materials: Molded material: Black, UL rated 94V-0 thermoplastic
Operating Temperature: 150°C
Agency approvals: UL E62622 General Industrial Class per UL 1059. CSA LR15364; CE Pending.



MTG. HOLES .21 x .41
C'BORE .42 x .62 x .12 DEEP

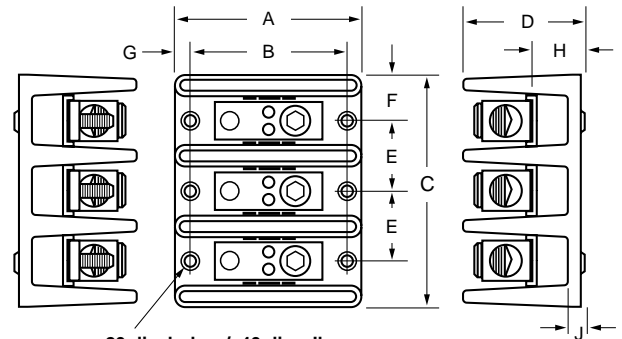
Series 163 (1, 2, & 3-pole available)

Part Number	Line Connection	Load Connection	Connector Material & Ampacity	Agency Approvals
Connector to Stud				
16280	2/0-#14CU/#8AL	1/4-20x1/2 Stud	AL-175A	UL CSA
16281	2/0-#14CU/#8AL	1/4-20 Tapped hole	AL-175A	UL CSA
16378	500MCM-#6CU-AL	(2)1/4-20x1 Stud	AL-380A	UL CSA
16383	500MCM-#6CU-AL	(1)3/8-16x1 1/4 Stud	AL-380A	UL CSA
16582	(2)500MCM-#6CU-AL	(2)3/8-16x1 1/8 Stud	AL-760A	UL CSA
Stud to Stud				
16390	3/8-16x1 1/8 Stud	3/8-16x1 1/8 Stud	CU-250A	UL CSA
16394	1/2-13x1 1/8 Stud	1/2-13x1 1/8 Stud	CU-400A	UL CSA
16395	3/8-16x1 1/8 Stud	(2)1/4-20x1 1/8 Stud	CU-310A	UL CSA
16591	3/8-16x1 1/8 Stud	(2)3/8-16x1 1/8 Stud	CU-400A	UL -
16593	1/2-13x1 Stud	1/2-13x1 Stud	CU-600A	UL CSA

New Option Available on 163 Series Power Blocks

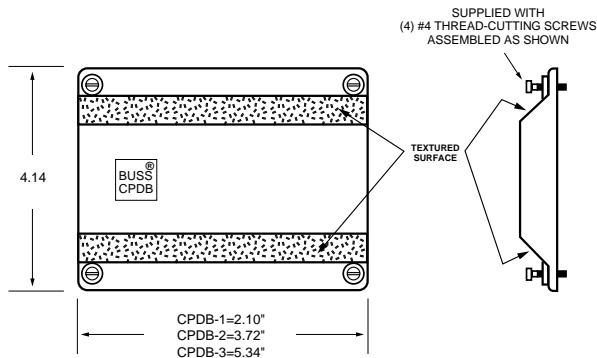
PROTECTIVE COVER TO GUARD AGAINST ACCIDENTAL CONTACT

- Clear with write on surface for field termination identification.
- Available in 1, 2, & 3 poles.



.20 dia. hole w/ .40 dia. c'bore

Series 162 & 165 (1, 2, & 3-pole available)



Series	A	B	C			J
			1-pole	2-pole	3-pole	
162	2.87	2.25	1.06	1.87	2.68	
163	4.00	3.37	1.96	3.58	5.20	
165	5.50	4.75	3.12	5.81	8.50	
Series	D	E	F	G	H	J
162	1.75	.81	.53	.31	.84	.31
163	3.32	1.62	.97	.31	.87	.35
165	3.12	2.68	1.56	.37	1.37	.62

BIF document: 1432



For complete specification data, call Bussmann Information Fax ~ 314.527.1450

Power Blocks

Series EN

Series EN 1.78" Centers

Inches (Millimeters)

SPECIFICATIONS

Ratings: 285A, 600V; UL/CSA

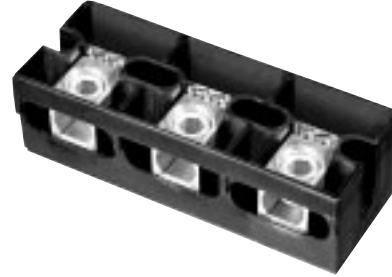
Line connector: #300MCM-#6 CU/AL

Load connection: (6)#6-#14 CU/#8 AL

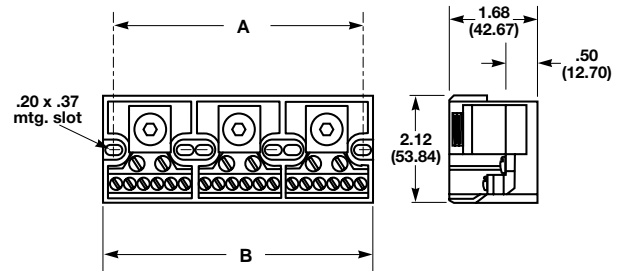
Material: Molded material; Black, UL rated 94V-2 thermoplastic

Operating temperature: 125°C

Agency approvals: UL E62622; CSA LR15364;
CE Pending



Series	A	B
EN61	1.38	1.78
EN62	3.15	3.62
EN63	4.93	5.37



BIF document: 1433

