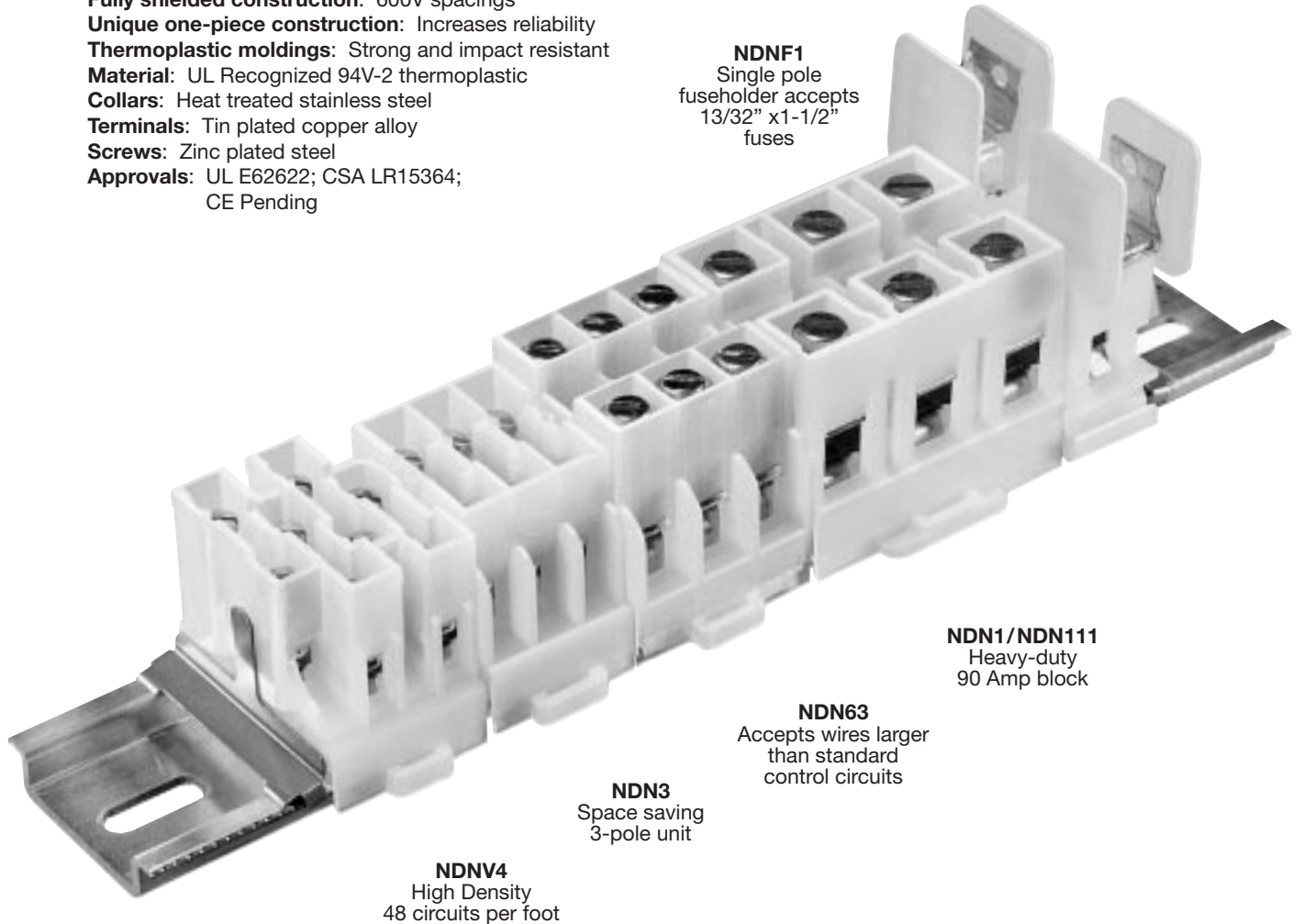


Series NDN Rail Mount Terminal Blocks

35mm DIN Rail Compatible

- High density design:** Up to 48 circuits per foot
- Clamping collar:** Secures wires
- Large, captive, wire-ready screws:** Speeds assembly
- Snap-on installation to DIN rail:** Fast, easy assembly
- Fully shielded construction:** 600V spacings
- Unique one-piece construction:** Increases reliability
- Thermoplastic moldings:** Strong and impact resistant
- Material:** UL Recognized 94V-2 thermoplastic
- Collars:** Heat treated stainless steel
- Terminals:** Tin plated copper alloy
- Screws:** Zinc plated steel
- Approvals:** UL E62622; CSA LR15364;
CE Pending



NDNF1
Single pole
fuseholder accepts
13/32" x1-1/2"
fuses

NDN1/NDN111
Heavy-duty
90 Amp block

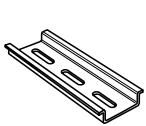
NDN63
Accepts wires larger
than standard
control circuits

NDN3
Space saving
3-pole unit

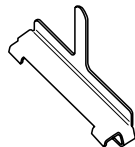
NDNV4
High Density
48 circuits per foot

NDNA200
Universal aluminum
35mm DIN mounting rail

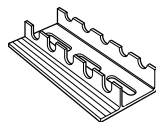
Series NDN Terminal Block Accessories



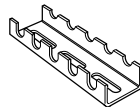
NDNA
35mm DIN rail
Aluminum
NDNA 100 1 meter
NDNA 200 2 meters



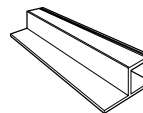
NDNAS
35mm DIN rail
End Stop



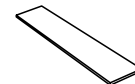
NFTA
C-rail
Aluminum
Lengths to 72"



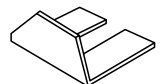
NRA
C-rail
Low profile
No flange
Aluminum
Lengths to 37-1/2"



SOA72
72" long
Stand-Off Channel
for C-rail



**MARKING
TAPE**
See series
specifications



JUMPERS
See series
specifications

BIF document: 1400



Rail Mount Terminal Blocks

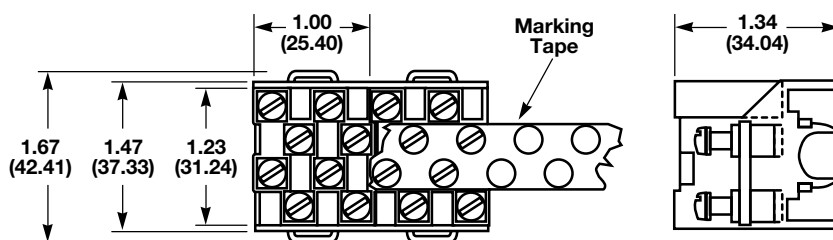
MAGNUM®
GET CONNECTED WITH US

NDNV4

Inches (Millimeters)

SPECIFICATIONS

Rating: NDNV4 30A, 600V; UL/CSA
Center spacing: .250" (6.35)
Number of poles: 4
Circuits per foot: 48
Circuit jumper: JN4, 4 circuits
Wire size: AWG #10-22 CU
Screw size: #6-32
Mounting options: 35mm DIN rail, C-rail
Marking tape: MTC6
Torque rating: 18 in/lb max.
Operating temperature: 105°C

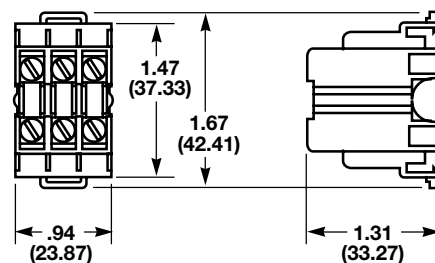
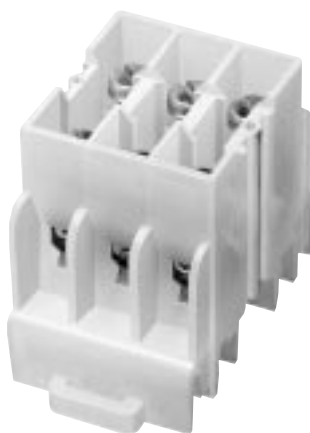


NDN3

Inches (Millimeters)

SPECIFICATIONS

Rating: 30A - field wiring; 40A - factory wiring
 600V; UL/CSA
Center spacing: .300" (7.62)
Number of poles: 3
Circuits per foot: 38
Circuit jumper: JNDN3, 2 circuits
Wire size: AWG #10-22 CU
Screw size: #6-32
Mounting options: 35mm DIN rail, C-rail
Marking tape: MT12-1/2
Torque rating: 18 in/lb max.
Operating temperature: 105°C



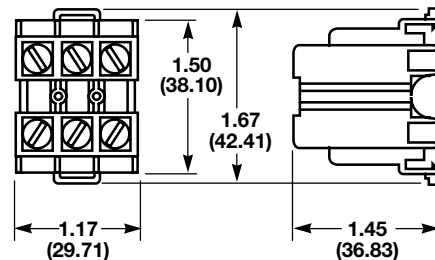
Rail Mount Terminal Blocks

NDN63

Inches (Millimeters)

SPECIFICATIONS

Rating: 65A, 600V; UL/CSA
Center spacing: .375" (9.52)
Number of poles: 3
Circuits per foot: 30
Circuit jumper: JN3, 2 circuits
Wire size: AWG #6-18 CU
Screw size: #10-32
Mounting options: 35mm DIN rail, C-rail
Marking tape: MT12-1/2
Torque rating: 35 in/lb max.
Operating temperature: 105°C

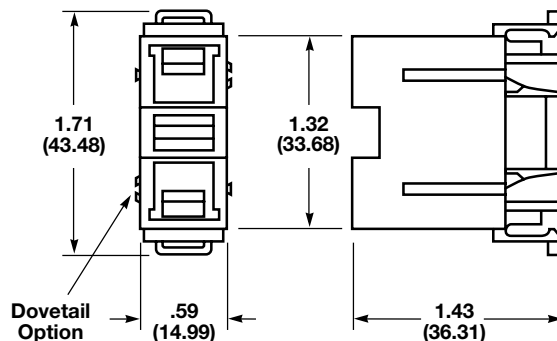


NDN1

Inches (Millimeters)

SPECIFICATIONS

Rating: 90A, 600V
Center spacing: .635" (16.13)
Number of poles: 1
Circuits per foot: 18
Wire size: AWG #2-18 CU
Screw size: 1/4-28
Mounting options: 35mm DIN rail, C-rail
 * Dove-tail option is available for mounting side-by-side. Order part no. NDN1-A.
Marking tape: MT12-1/2
Torque rating: 32 in/lb max.
Operating temperature: 105°C

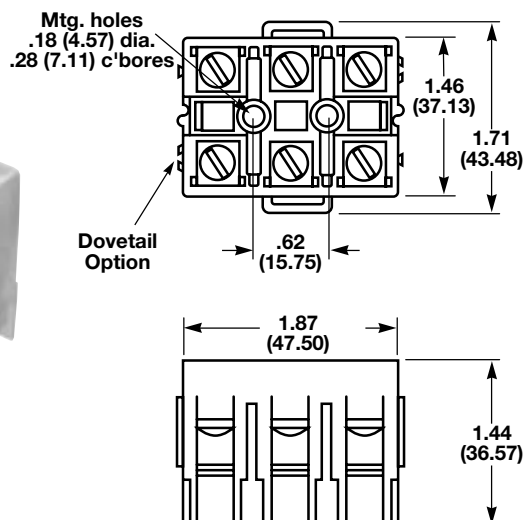


NDN111

Inches (Millimeters)

SPECIFICATIONS

Rating: 90A, 600V; UL/CSA
Center spacing: .635" (16.13)
Number of poles: 3
Circuits per foot: 18
Circuit jumper: JN1, 2 circuits
Wire size: AWG #2-18 CU
Screw size: 1/4-28
Mounting options: 35mm DIN rail, C-rail, Base Mount. * Dove tail option is available for mounting side-by-side. Order part no. NDN111-A.
Marking tape: MT12-1/2
Torque rating: 32 in/lb max.
Operating temperature: 105°C



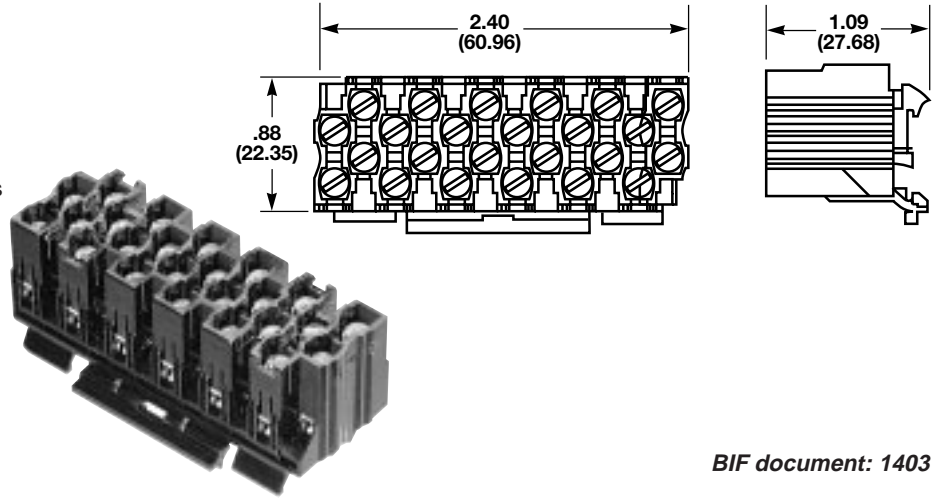
Rail Mount Terminal Blocks

MAGNUM®
GET CONNECTED WITH US

N512 Inches (Millimeters)

SPECIFICATIONS

- Rating:** 5A, 600V; UL/CSA
20A, 300V; UL/CSA
- Center spacing:** .197" (5.00)
- Number of poles:** 12
- Circuits per foot:** 60
- Circuit jumper:** JN512, 12 circuits
- Wire size:** AWG #12-22 CU
- Screw size:** #4-48
- Mounting options:** C-rail,
15mm DIN rail
- Marking tape:** AT512
- Torque rating:** 12 in/lb max.
- Operating temperature:** 105°C

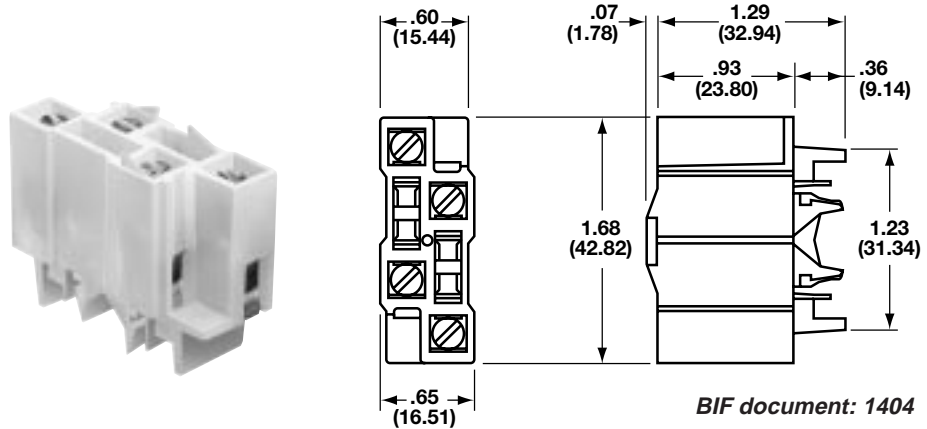


BIF document: 1403

NFT2 Inches (Millimeters)

SPECIFICATIONS

- Rating:** 40A, 600V; UL/CSA;
55A Factory Wired
- Center spacing:** .281" (7.13)
- Number of poles:** 2
- Circuits per foot:** 38
- Circuit jumper:** JN2, 2 circuits
- Wire size:** AWG #8-22 CU
- Screw size:** #8-32
- Mounting options:** C-rail
- Marking tape:** MT12-1/2
- Torque rating:** 18 in/lb max.
- Operating temperature:** 105°C

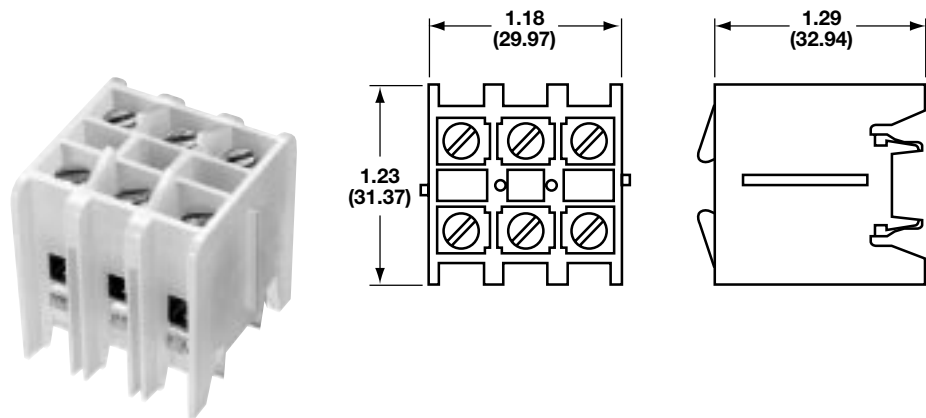


BIF document: 1404

NFT3 Inches (Millimeters)

SPECIFICATIONS

- Rating:** 40A, 600V; UL/CSA;
55A Factory Wired
- Center spacing:** .390" (9.91)
- Number of poles:** 3
- Circuits per foot:** 28
- Circuit jumper:** JN3, 2 circuits
- Wire size:** AWG #8-22 CU
- Screw size:** #8-32
- Mounting options:** C-rail
- Marking tape:** MT12-1/2
- Torque rating:** 18 in/lb max.
- Operating temperature:** 105°C



BIF document: 1405



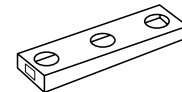
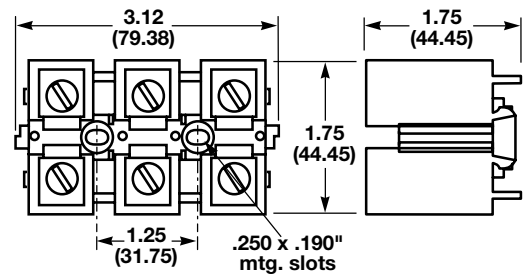
Rail & Base Mount Terminal Blocks

NC3

Inches (Millimeters)

SPECIFICATIONS

Rating: 175A, 600V; UL/CSA
Center spacing: 1.06" (26.92)
Number of poles: 3
Circuits per foot: 11
Wire size: 2/0-#14 CU/AL
Screw size: 5/16-24
Mounting options: C-rail, Base Mount
Marking tape: MT12-1/2
Torque rating: 45 in/lb max.
Operating temperature: 105°C



Optional LS3 Terminal Cover

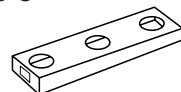
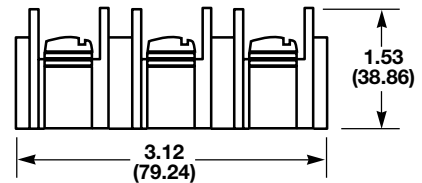
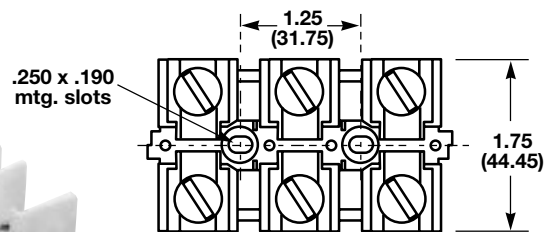
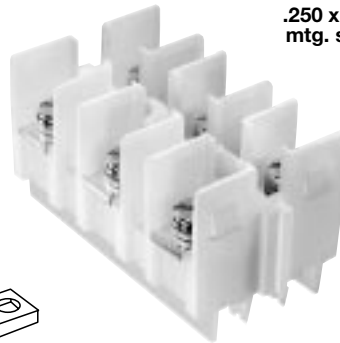
BIF document: 1406

NSE3

Inches (Millimeters)

SPECIFICATIONS

Rating: 115A, 600V; UL/CSA
Center spacing: 1.06" (26.92)
Number of poles: 3
Circuits per foot: 11
Circuit jumper: JNSE3, 2 circuits
Wire size: For use with wire crimped to ring terminal.
Screw size: 1/4-28
Mounting options: C-rail, Base Mount
Marking tape: MT12-1/2
Operating temperature: 105°C



Optional LS3 Terminal Cover

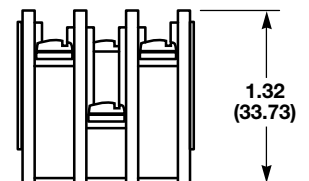
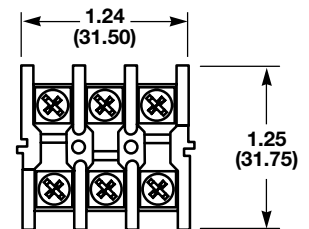
BIF document: 1407

NSS3

Inches (Millimeters)

SPECIFICATIONS

Rating: 30A, 600V; UL/CSA
Center spacing: .385" (9.77)
Number of poles: 3
Circuits per foot: 28
Circuit jumper: JNSS3, 2 circuits
Wire size: For use with wire crimped to ring terminal.
Screw size: #6-32
Mounting options: C-rail
Marking tape: MT12-1/2
Operating temperature: 105°C



BIF document: 1408

Deploable Rail Mount Terminal Blocks

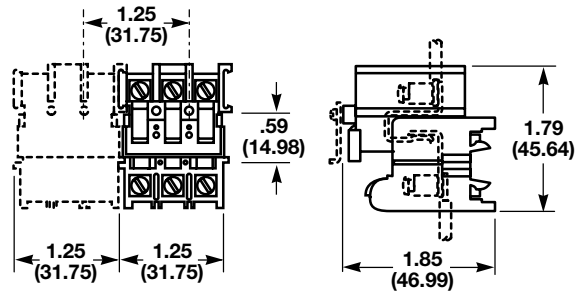
MAGNUM®
GET CONNECTED WITH US

PLU3

Inches (Millimeters)

SPECIFICATIONS

Rating: 40A, 600V; UL/CSA
Center spacing: .390" (9.91)
Number of poles: 3
Circuits per foot: 28
Circuit jumper: JN3, 2 circuits
Wire size: AWG #8-22 CU
Screw size: #8-32
Mounting options: C-rail, Stackable
Marking tape: MT12-1/2
Torque rating: 18 in/lb max.
Operating temperature: 105°C



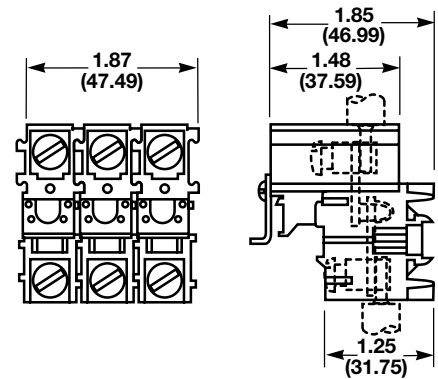
BIF document: 1409

PLU1 Series

Inches (Millimeters)

SPECIFICATIONS

Rating: 70A, 600V; UL/CSA
Center spacing: .625" (15.88)
Number of poles: 1-3
 PLU1 (1 pole)
 PLU11 (2 pole)
 PLU111 (3 pole)
Circuits per foot: 19
Circuit jumper: JN1, 2 circuits
Wire size: AWG #4-18 CU
Screw size: 1/4-28
Mounting options: C-rail, Stackable
Marking tape: MT12-1/2
Torque rating: 32 in/lb max.
Operating temperature: 105°C



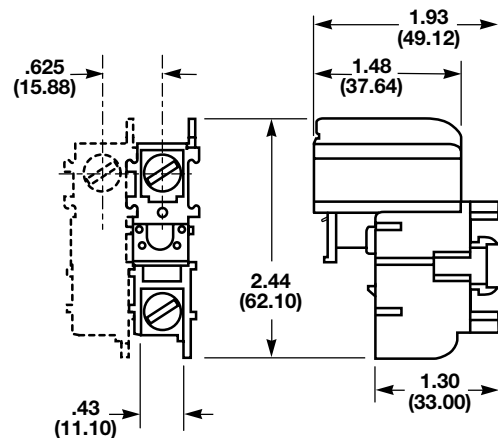
BIF document: 1410

PSU1 Series

Inches (Millimeters)

SPECIFICATIONS

Rating: 45A*, 600V; UL/CSA
 *45A rating achieved with ring terminal crimped to wire.
Center spacing: .625" (15.88)
Number of poles: 1-3
 PSU1 (1 pole)
 PSU11 (2 pole)
 PSU111 (3 pole)
Circuits per foot: 19
Wire size: For use with crimp on connectors only.
Screw size: #10-32
Mounting options: C-rail, Stackable
Marking tape: MT12-1/2
Torque rating: 32 in/lb max.
Operating temperature: 105°C



BIF document: 1411



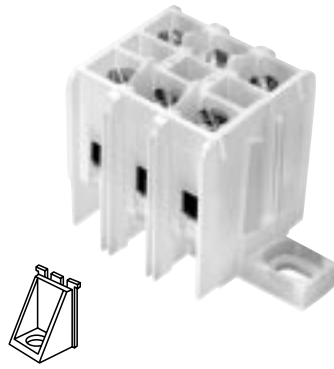
Base Mount Terminal Blocks

KT3

Inches (Millimeters)

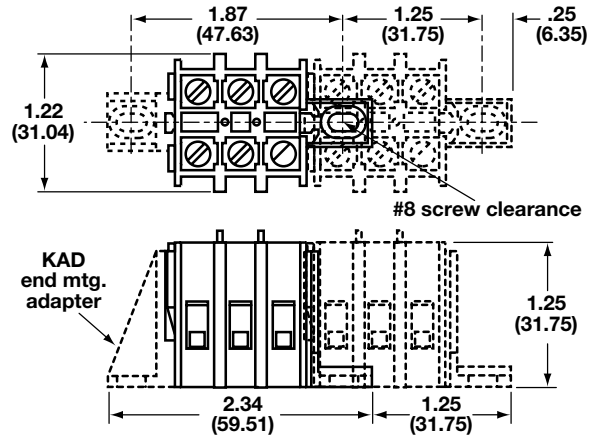
SPECIFICATIONS

Rating: 40A, 600V; UL/CSA
Center spacing: .390" (9.91)
Number of poles: 3
Circuits per foot: 28
Circuit jumper: JN3, 2 circuits
Wire size: #8-22 CU
Screw size: #8-32
Mounting options: Base Mount, Stackable
Marking tape: MT12-1/2
Torque rating: 18 in/lb max.
Operating temperature: 105°C



KAD

BIF document: 1412 End Mount Adapter Optional



KT4

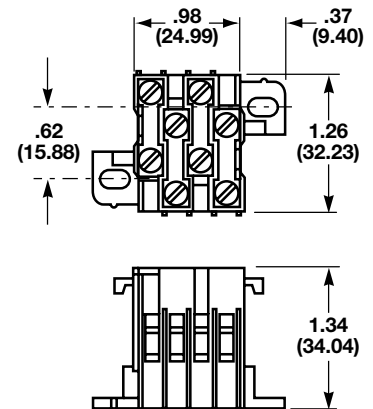
Inches (Millimeters)

SPECIFICATIONS

Rating: 30A, 600V; UL/CSA
Center spacing: .250" (6.35)
Number of poles: 4
Circuits per foot: 48
Circuit jumper: JN4, 4 circuits
Wire size: AWG #10-22 CU
Screw size: #6-32
Mounting options: Base Mount
 Mounting screws recommended every 12 circuits.
Marking tape: MTC6
Torque rating: 18 in/lb max.
Operating temperature: 105°C



BIF document: 1413



PLK3

Inches (Millimeters)

SPECIFICATIONS

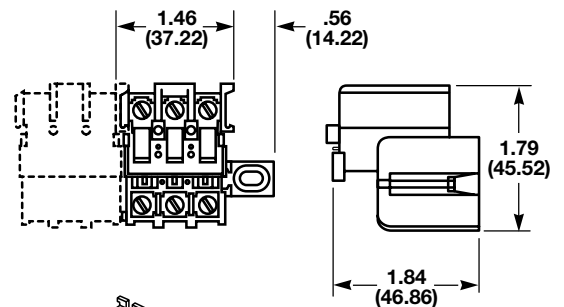
Rating: 40A, 600V; UL
Center spacing: .390" (9.91)
Number of poles: 3
Circuits per foot: 28
Circuit jumper: JN3, 2 circuits
Wire size: AWG #8-22 CU
Screw size: #8-32
Mounting options: Base Mount, Stackable; End Piece (Part No. KAD) is required for mounting. Mounting screws recommended every 15 circuits.
Marking tape: MT12-1/2
Torque rating: 18 in/lb max.
Operating temperature: 105°C



KAD

End Mount Adapter Required

BIF document: 1414



Quick Connect Terminal Blocks

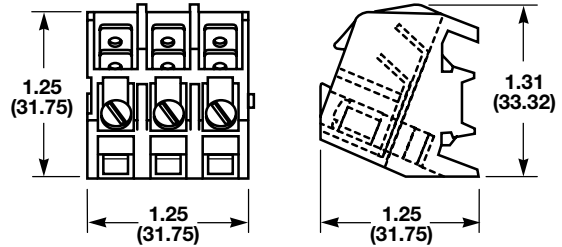
MAGNUM®
GET CONNECTED WITH US

NTQ23

Inches (Millimeters)

SPECIFICATIONS

Rating: 40A, 600V
Center spacing: .390" (9.91)
Number of poles: 3
Circuits per foot: 28
Wire size: AWG #8-22 CU
Screw size: #8-32
Mounting options: C-rail
Marking tape: MT12-1/2
Torque rating: 18 in/lb max.
Operating temperature: 105°C



BIF document: 1415

BNQ21

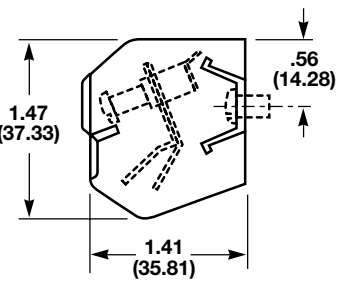
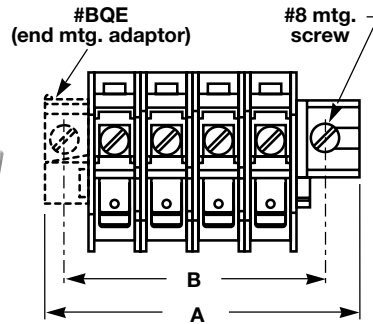
Inches (Millimeters)

SPECIFICATIONS

Rating: 40A, 600V; UL/CSA
Center spacing: .437" (11.10)
Number of poles: 1
Circuits per foot: 24
Wire size: AWG #8-22 CU
Screw size: #8-32
Quick Connects: .250" x .031"
Mounting options: Base Mount, Stackable; End Piece (Part No. BQE) is required for mounting. Mounting screws recommended every 8 circuits.
Torque rating: 18 in/lb max.
Operating temperature: 105°C



BQE
End Mounting Adapter Required



A	B
(N+2) x .437	(N+1) x .437
N = Number of circuits	

BIF document: 1416

BQQ41

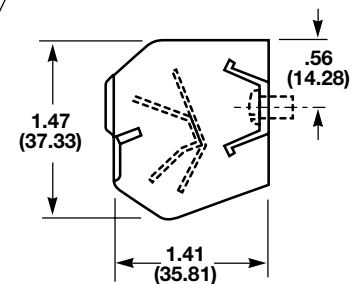
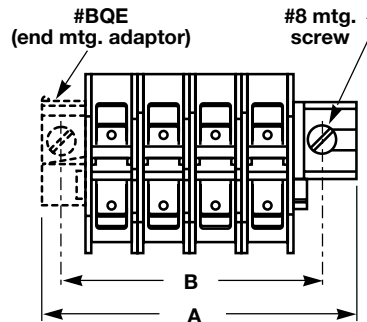
Inches (Millimeters)

SPECIFICATIONS

Rating: 30A, 600V; UL/CSA
Center spacing: .437" (11.10)
Number of poles: 1
Circuits per foot: 24
Wire size: For use with quick connect terminals only.
Quick Connects: .250" x .031"
Mounting options: Base Mount, Stackable; End Piece (Part No. BQE) is required for mounting. Mounting screws recommended every 8 circuits.
Operating temperature: 105°C



BQE
End Mounting Adapter Required



A	B
(N+2) x .437	(N+1) x .437
N = Number of circuits	

BIF document: 1417



Rail Mount Fuse Holders

NDNF-1

Inches (Millimeters)

SPECIFICATIONS

Rating: 30A, 600V; UL/CSA

Number of poles: 1

Fuse size: 13/32" x 1-1/2"

BCC recommends Buss® KTK-R, FNQ-R or equivalent.

Circuit jumper: JF1, 2 circuits

Wire size: AWG #8-22 CU

Mounting options: 35mm DIN rail, C-rail

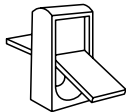
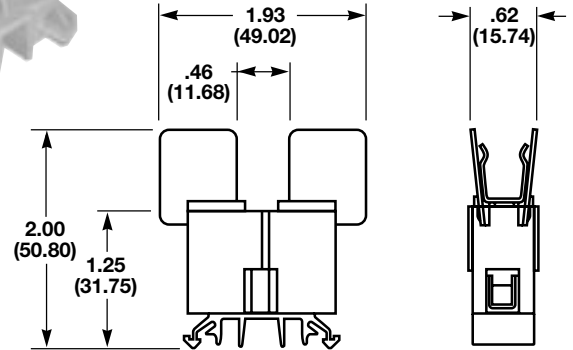
Fuse Pullers: PF1 (standard);

*LPF1 (lighted neon or incandescent bulb).

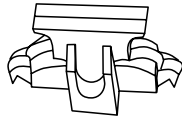
Marking tape: MT12-1/2

Torque rating: 18 in/lb max.

Operating temperature: 105°C



PF1
Fuse Puller



LPF1
Lighted Fuse Puller

NDND1 non-fused disconnect enables isolation of individual circuits for testing

NDNFD1 fused disconnect block

NDNLFD1 fused disconnect with visual indicator* for blown fuse

Inches (Millimeters)

SPECIFICATIONS

Ratings:

NDND1: 30A, 600V; UL/CSA

NDNFD1: 15A, 600V; CSA

NDNLFD1: 15A, 600V

Number of poles: 1

Fuse size: 1/4" x 1-1/4"

BCC recommends Buss® AGC, MDL or equivalent.

Circuit jumper: JF1, 2 circuits

Wire size: AWG #8-22 CU

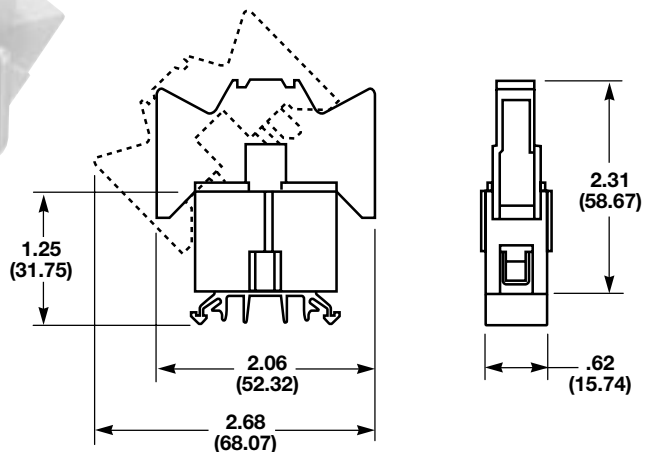
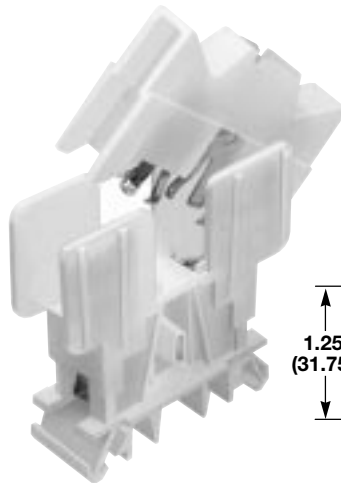
Mounting options:

35mm DIN rail, C-rail

Marking tape: MT12-1/2

Torque rating: 18 in/lb max.

Operating temperature: 105°C



*Visual indicator for blown fuse is neon or incandescent bulb, depending on voltage. Specify voltage required.

BIF document: 1418



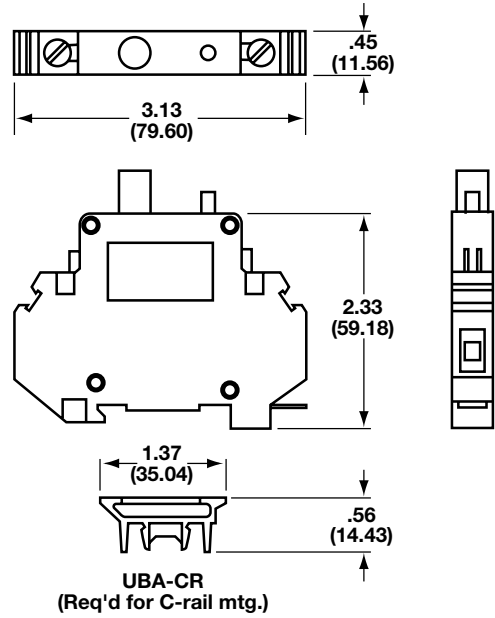
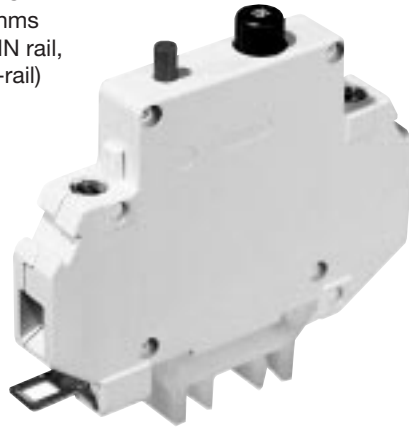
Rail Mount Circuit Breakers



UB Series Inches (Millimeters)

SPECIFICATIONS

- Rating:** .5 - 15A, 250VAC/65VDC; UL*/CSA/VDE
- *For 9A - 15A units, UL voltage ratings: 125VAC/65VDC
- Number of poles:** 1
- Max. interrupt cap.:** 200A, but not over 100 times rated current.
- Life:** 4,000 cyc. 200% rated current; 6,000 cyc. rated current
- Dielectric strength:** 1,500VAC
- Insulation resist:** 100 Megohms
- Mounting options:** 35mm DIN rail, C-rail (Adapter required for C-rail)
- Weight:** 3.2 oz.

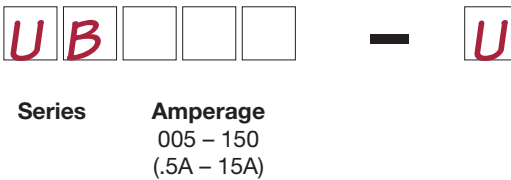


Tripping Times in Seconds at 70°F								
Percent rated current	100%	200%	300%	400%	500%	600%	1000%	2000%
Tripping time	no trip	10 - 40	3 - 18	1.5 - 9	.8 - 6	.003 - 4	.003 - 2	max. .02
For elevated ambient temperatures, find proper current rating of circuit breaker by multiplying actual full load current with these factors. Select closest (higher) amp rating.								
Temperature	100°F (37.8°C)		120°F (48.9°C)		140°F (60°C)		160°F (71.1°C)	
Factor	1.1		1.2		1.3		1.4	

Standard Current Ratings

Amps	Ohms	Amps	Ohms
0.5	8.000	6.0	0.056
1.0	1.900	6.5	0.035
1.5	0.900	7.0	0.036
2.0	0.480	8.0	0.032
2.5	0.320	9.0	0.022
3.0	0.260	10.0	0.018
3.5	0.160	11.0	0.016
4.0	0.130	12.0	0.016
4.5	0.085	13.0	0.016
5.0	0.076	14.0	0.012
5.5	0.064	15.0	0.012

Part Numbering System



Notes: Pressure connector is UL/CSA
 Recognized for field wiring.
 Contact factory for ratings below 1A.

BIF document: 1419



For complete specification data, call Bussmann Information Fax ~ 314.527.1450

Series 15188

Disconnect Terminal Blocks for 35mm DIN Rail Mount

SPECIFICATIONS

Rating: 30A; 600V*

Center spacing: .375" (9.52 mm)

Wire Size: AWG #12-16 CU

Screw Size: #6-32 zinc plated philslot

Number of poles: 3 and 4 pole only

Mounting: 35mm DIN Rail

Optional End Stop NDNAS (shown on pg 4).

Jumpers: 2 through 4-pole available

Materials: Molded Base: Black, UL rated 94V-2 thermoplastic. Tin plated copper alloy contacts.

Torque rating: 12 in/lb max.

Operating temperature: 120°C

Approvals: UL E62622; CSA LR15364; CE Pending

*60A rating achieved with #10AWG wire crimped to ring terminal; 25A without.

Assembly*	ORIENTATION	
	Reverse	In-Line
3 Pole	15188-3R	15188-3
4 Pole	15188-4R	15188-4

* Includes male and female disconnect terminal block assembly.

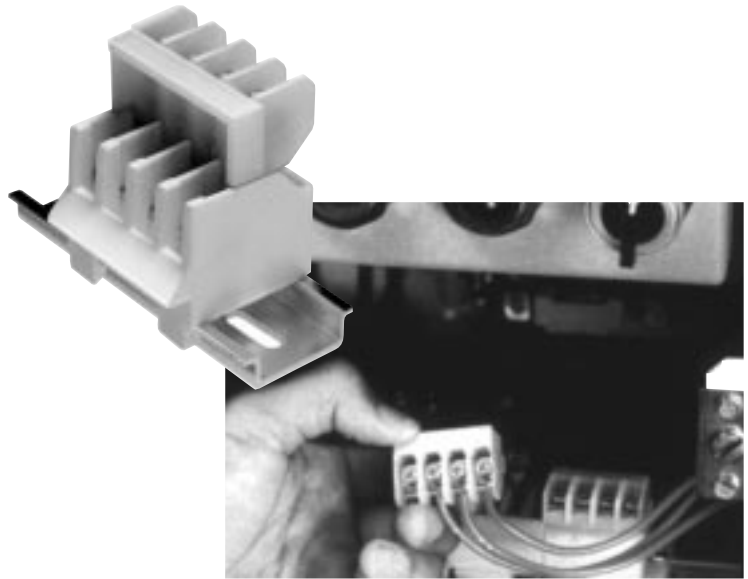
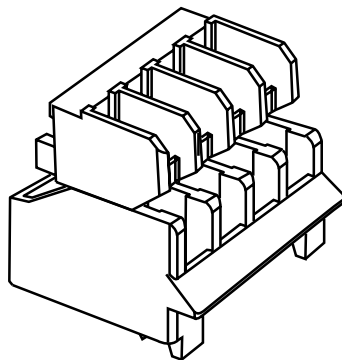
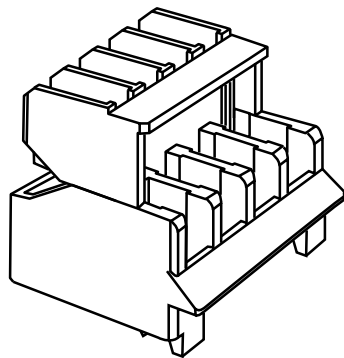


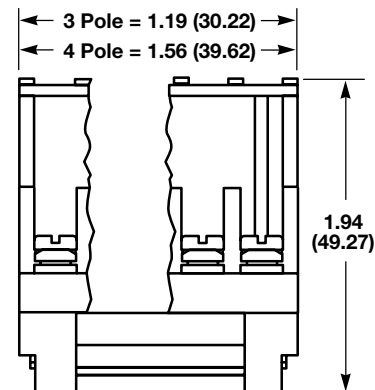
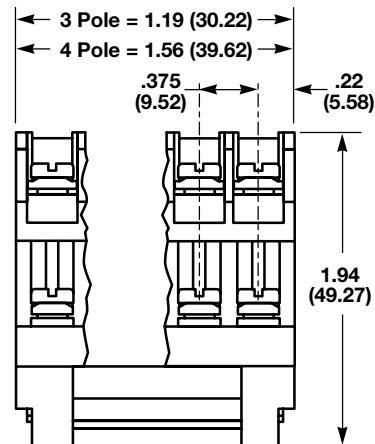
Photo courtesy of Square D Company.



REVERSE WIRING DIRECTION



IN-LINE WIRING DIRECTION



Series KU

Base Mount Double Row Terminal Blocks

MAGNUM®

GET CONNECTED WITH US

SPECIFICATIONS

Rating: 60A, 600V*

Center Spacing: .625" (15.88 mm)

Number of poles: 2 - 12

Wire Size: AWG #6 CU max.

Screw Size: #10-32 brass nickel plated

Torque Rating: 20 in/lb max.

Distance Between Barriers: .437" (11.09 mm)

Mounting: Base mount. For 35mm DIN rail mountable, consult factory.

Material: Molded base: Black, UL rated 94V-0 thermoplastic. Terminal plating: Nickel over brass.

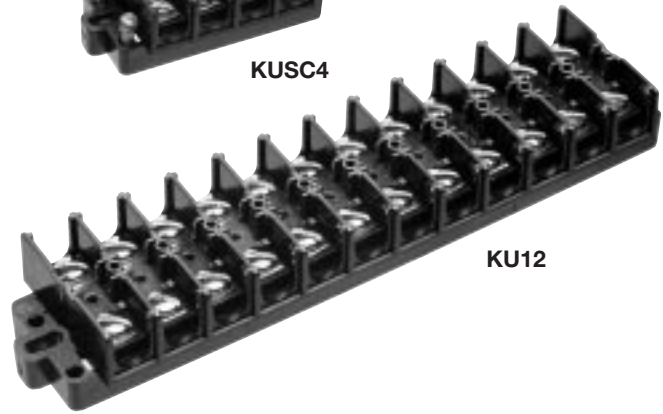
Screws: Nickel plated brass.

Operating Temperature: 105°C max.

Approvals: UL E62622; CSA LR15364; CE Pending

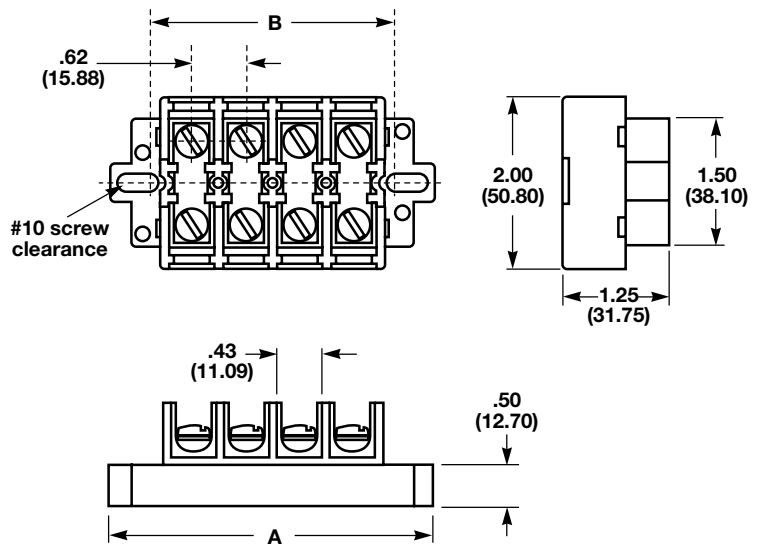


KUSC4



KU12

No. of Poles	KU		KUX only
	A	B	A
2	2.50	1.62	2.00
3	3.12	2.25	2.62
4	3.75	2.87	3.25
5	4.37	3.50	3.87
6	5.00	4.12	4.50
7	5.62	4.75	5.12
8	6.25	5.37	5.75
9	6.87	6.00	6.37
10	7.50	6.62	7.00
11	8.12	7.25	7.62
12	8.75	7.87	8.25



Dimensions in inches. To convert to millimeters, multiply by 25.4.

*60A rating achieved with #6 copper wire crimped to ring terminal

Part Numbering System

Series



- KU** - Standard block
- KUX** - Short block
- KUSC** - Standard w/shorting strap & 4 shorting screws
- KURL** - Standard w/removable link
- KUXSC** - Short block w/shorting strap & 4 shorting screws
- KUXRL** - Short block w/removable link

Poles



2 to 12

Screw Options



- 00** - screws shipped bulk
- W** - brass washer head, nickel plated
- P** - Steel screw w/pressure plate zinc plated
- B** - brass washer head, no plating

Covers



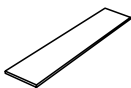
WC - Top cover & 2 end plates

Marking Strip

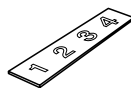


- MT** - Matte finish
- NU** - Numbered 1 to 12, horizontal
- NUV** - Numbered 1 to 12, vertical
- PT** - Marker strip for cover

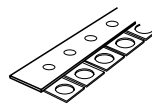
Accessories



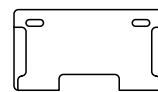
MTMU##
Molded Marking Tape
Matte Finish



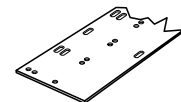
NUM##
Molded Marking Tape



JU12
Jumper
12 Circuits



NUE
End Piece for NUC



NUC##
Cover

BIF document: 1421



For complete specification data, call Bussmann Information Fax ~ 314.527.1450