

ALTISTART® 46

Soft Start Motor Controllers

Class 8636, 8638, 8639



CATALOG CONTENTS

Description	Page
Introduction	3
Applications	6
Product Characteristics	7
Set-Up and Monitoring	9
Dimensions	14
Component List for Recommended Wiring Diagrams	16
Wiring Diagrams for Recommended Applications	18
Enclosed ATS 46 Starters	21
Product Selection	23
Application Considerations	27
Sample Specification for Selecting a Soft Start Product	28





ATS46D17N

Introduction

The ALTISTART® 46 (ATS46) motor controller offers full-featured, solid-state soft starting in a compact package that sets a new industry standard for ease of setup and installation. The digital ATS46 controller provides the performance and features that OEMs and users demand to reduce the current inrush (and resulting voltage drop) and mechanical shocks that can result from starting or stopping a motor across the line. A six thyristor (SCR) solid-state power configuration is used to control the starting and stopping of industry standard three-phase induction motors.

The ATS46 controller introduces the principle of Torque Control System (TCS) ramping. Basing the acceleration ramp on the motor torque rather than current or voltage, as used in traditional soft starts, provides a linear speed ramp independent of the motor loading without tachometer feedback. The TCS ramp is also used for improved control of deceleration and eliminates the need for a special controller to handle even the toughest waterhammer problems. InTele™ Braking is also available for applications which require a faster than freewheel stop. No external components are required to use this braking feature.

State-of-the-art protection of the motor, starter, and driven machine is standard in every ALTISTART controller. A microprocessor continuously monitors the main operating parameters of the starter and motor to provide the maximum protection and reliability of motor and machine. Thermal overload protection is standard and is achieved by continuously calculating the temperature rise of the motor and starter. The protection remains effective when contactor shorting is used and under total loss of power.

The ATS46 controller is available in 21 power ratings from 17 to 1200 A, and each can be configured for 208, 230, 380, or 460 volts at 50 or 60 Hz. A digital keypad is provided for accurate, repeatable setup as well as monitoring of the motor operating parameters.

The ATS46 controller is also available as an enclosed starter. The Class 8638 and 8639 enclosed ALTISTART starters combine the requirements of motor overload, type 1 coordinated short circuit protection, and protection of the equipment from SCR failure. Enclosed starters are designed to operate at 208, 230, or 460 V, 50 to 60 Hz, and are UL Listed and CSA certified.

Why Use a Reduced Voltage Starter?

Using a reduced voltage starter can improve starting performance of a machine by reducing current inrush and torque developed during full voltage starting.

Reduces Inrush Current

A typical NEMA design B motor will draw about six times its full load current when started at full voltage. This high starting current can cause problems in the electrical system, such as voltage drops, that can affect other equipment—incandescent lamps can dim, other motors on the feeder can slow down, undervoltage protective devices can trip and shut down equipment.

Reduces Starting Torque

A typical NEMA design B motor will produce approximately 150% of its full load torque when started at full voltage. The high starting torque causes mechanical shocks that can result in twisted shafts and couplings, excessive belt wear, fatigue to gear reducers, and extreme stress to most other moving parts—causing a shutdown. The material being processed may also be damaged during a full voltage start.

ALTISTART® 46 Soft Start

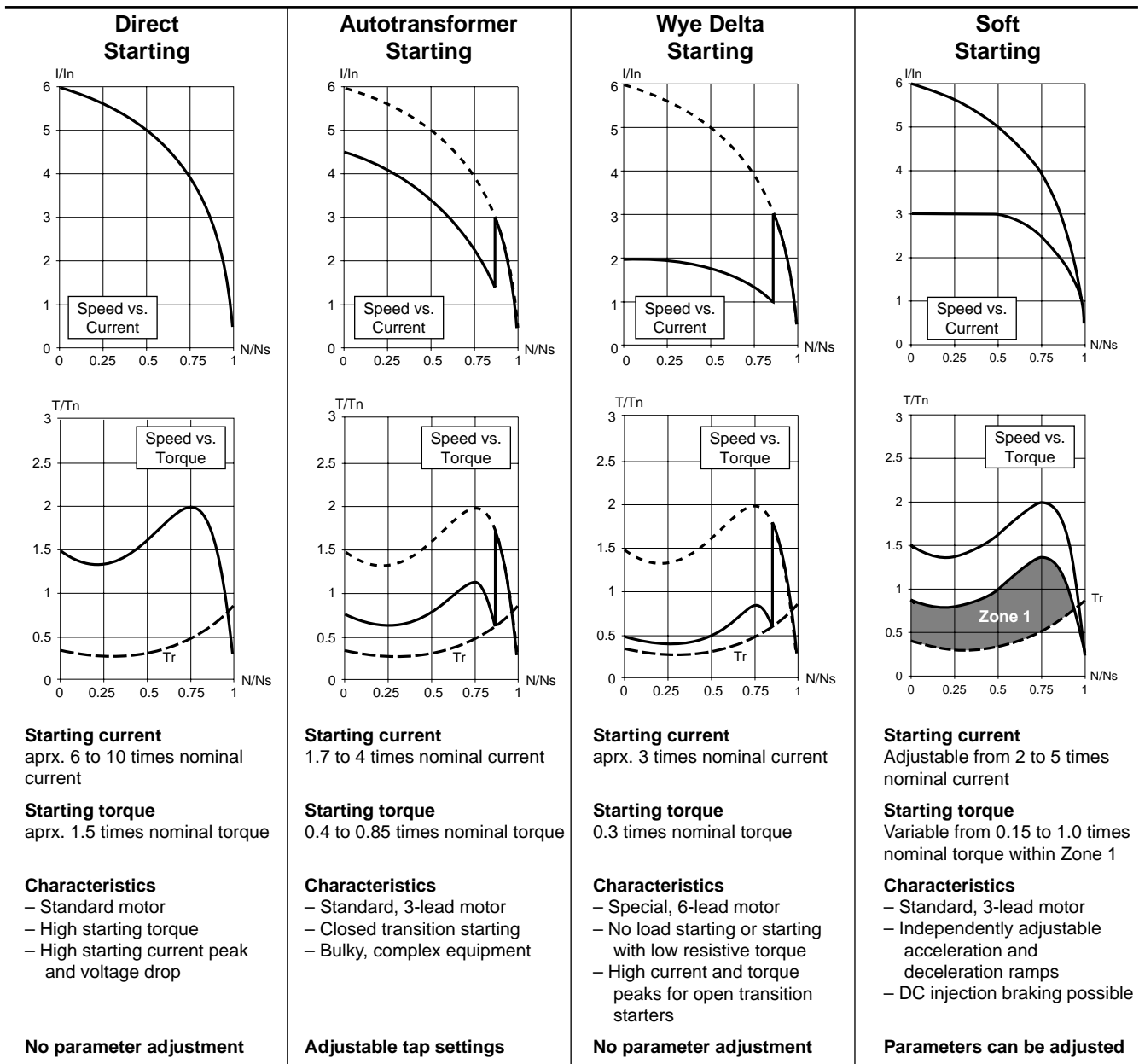
Comparison of Starting Methods

Comparison of Starting Methods

The graphs shown below illustrate motor performance when the motor is started at full voltage, when using an autotransformer, when using a wye delta electromechanical reduced voltage starter, or when using a soft starter.

When using either the autotransformer or wye delta reduced voltage starting method, a single level of voltage is applied during the start mode. After an adjustable period of time, the contactors switch to the run mode. As shown in the figures below, when switched to the run mode the motor will draw current and produce current at full voltage values (which depend on the speed of the motor when the transition is made).

Soft-starting a motor also provides the benefits of reduced current inrush and starting torque. When a soft start is used, the voltage of the three-phase supply to the motor is steadily increased by the use of a thyristor bridge. The bridge consists of back-to-back pairs of thyristors connected in each phase of the AC supply, as shown in Figure A on the next page.



ALTISTART® 46 Soft Start Comparison of Starting Methods

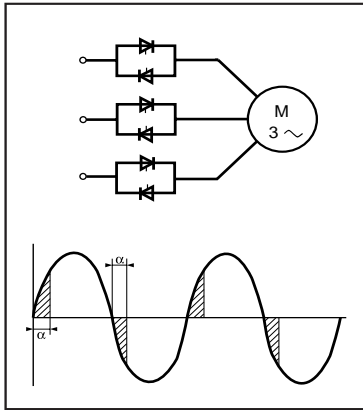


Figure A: Thyristor Bridge

By varying the firing angle of the thyristors, the voltage applied to the motor can be controlled at the line frequency.

The output voltage can be controlled either by an acceleration ramp or by the current limit, or by a combination of both parameters.

The graph shown in Figure B below illustrates the development of torque as a function of the starting current. The effect of limiting the starting current I_s to a preset value I_{s1} is to reduce the starting torque T_{s1} to approximately the ratio of the square of currents I_s and I_{s1} .

For example, if the motor inrush is normally 600% of the rated amps, limiting the current to 300% will reduce the torque to approximately $(300/600)^2$ or roughly 25% of the torque developed at full voltage.

The graph shown in Figure C below illustrates the torque/speed characteristic of a squirrel cage motor as a function of the supply voltage. At a fixed frequency, the torque varies as the square of the voltage. The steady rise of the voltage limits the torque and the current during starting, and prevents instantaneous current peaks.

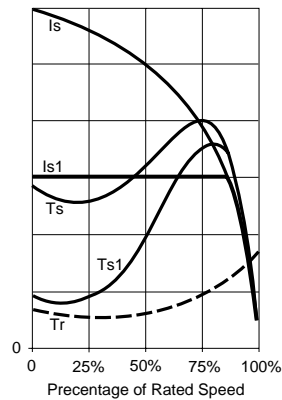


Figure B:
Starting Torque as a
Function of Starting Current

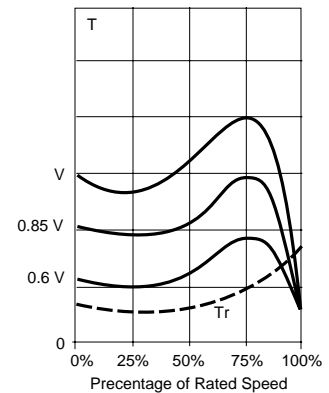


Figure C:
Starting Torque as a
Function of Supply Voltage

The difference between the motor torque T_{s1} and the load requirement T_r is the acceleration torque. By controlling the amount of motor torque developed, a motor controlled by an ATS46 controller can produce constant acceleration torque without tachometer feedback.

The ATS46 controller monitors the current and power factor, and applies voltage to create the right amount of torque for a linear acceleration ramp. The standard ramp is for variable torque loads (such as pumps and fans). For constant torque loads (such as conveyors and grinders), the initial torque and torque limit functions may be used to create a constant torque profile to provide linear acceleration.

Soft Starting Using the ALTISTART 46 Controller

The ALTISTART 46 Controller is a six-thyristor soft start/soft stop unit for the controlled starting and stopping of three-phase squirrel cage motors. It provides:

- Reduction of inrush current and torque surges
- Control of the operating characteristics during starting and stopping
- Control of accelerating torque in all of Zone 1 shown in the comparison of starting methods on the preceding page
- Adaptation of motor torque in all of Zone 1 shown in the comparison of starting methods on the preceding page
- Thermal overload protection of both the motor and the starter

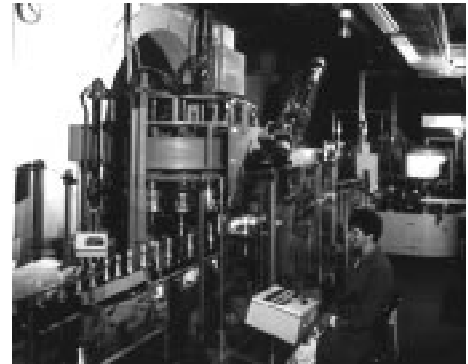
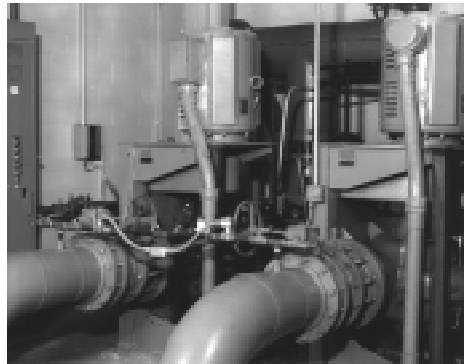


ALTISTART® 46 Soft Start Applications

Applications

The Torque Control System of the ATS46 controller allows soft start applications on a variety of machines which were traditionally not suited for reduced voltage starting. The ATS46 controller is easily adapted to both standard duty and heavy duty applications. The following table lists some suggested settings for several applications. This is to be used as a guide only—settings may vary depending on the actual application.

Type of Machine	Duty	Functions Performed by the ATS46 Controller	Starting Current (In%)	Starting Time (secs)
Centrifugal pump	Standard	Ideal control for acceleration and deceleration (elimination of waterhammer). Protection against underload or inversion of phase rotation.	300	5 to 15
Positive displacement pumps	Standard	Prevention of dry pump condition and reverse rotation.	350	5 to 10
Ventilation fans	Standard (heavy if greater than 30 s start)	Detection of overload caused by clogging or underload (damaged transmission chain).	300	10 to 40
Cold compressor	Standard	Protection, even for special motors	300	5 to 10
Screw-type compressor	Standard	Protection against phase reversal. Contact for automatic unloading at stop.	300	3 to 20
Centrifugal compressor	Standard (heavy if greater than 30 s start)	Protection against phase reversal. Contact for automatic unloading at stop.	350	10 to 40
Positive displacement compressor	Standard	Protection against phase reversal. Contact for automatic unloading at stop.	350	5 to 10
Conveyor	Standard	Adjustable overload; detection of jammed material or of underload for broken belt.	300	3 to 10
Elevator	Standard	Adjustable overload; detection of jamming or of underload. Constant starting with variable load.	350	5 to 10
Circular saw, band saw	Standard (heavy if greater than 30 s start)	Braking for fast stop.	300	10 to 60
Pulper, butchery knives	Heavy	Control of starting torque.	400	3 to 10
Agitator	Standard	Display of current & torque gives the material density.	350	5 to 20
Mixer	Standard	Display of current & torque gives the material density.	350	5 to 10
Grinder	Heavy	Braking to limit vibrations during stopping. Adjustable overload and detection of jamming.	450	5 to 60
Crusher	Heavy	Braking to limit vibrations during stopping. Adjustable overload and detection of jamming.	400	10 to 40
Refiner	Standard	Control of starting and stopping torque.	300	5 to 30
Press	Heavy	Braking to increase the number of cycles.	400	20 to 60



ALTISTART® 46 Soft Start Product Characteristics



Product Characteristics

The ALTISTART 46 controller is supplied factory set and ready to use. By using the digital keypad or one of the optional communication modules, the factory settings, configuration, and display parameters can be modified. As shown in the figure to the left, the input and output of the controller consists of:

- Digital keypad
- LED display
- Removable terminal strips

ALTISTART 46 soft-start/soft-stop units are recommended when the following features are required:

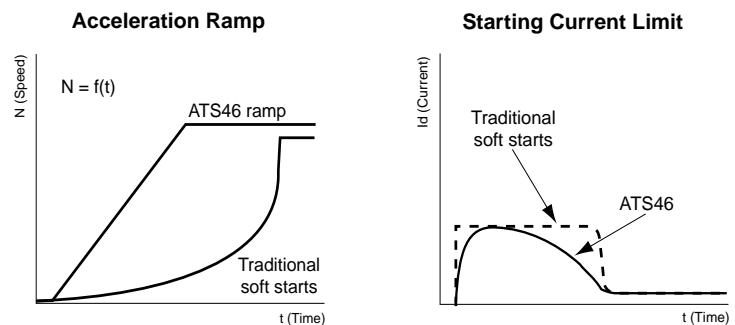
- Limitation of supply voltage drop and reduction of current peaks during starting
- Limitation of starting torque to protect the driven mechanism
- Smooth acceleration and deceleration or braking to protect both equipment and personnel
- Gradual starting of high-inertia machines
- Ability to easily adapt the starter for special machines
- State-of-the-art motor protection

The ALTISTART 46 controller can control motors with standard three-phase voltages between 208 and 500 V, and with a power rating between 2.0 and 900 hp.

Starting Characteristics

The starting characteristics using TCS ramping are shown in the graphs below. The acceleration ramp shows that by utilizing the ATS46 controller a linear acceleration ramp can be achieved without tachometer feedback — unlike traditional voltage ramp or current-limit soft starts, where motors are often sluggish at the beginning of the ramp and over-accelerate at the end of the ramp.

By controlling the development of the motor's torque, TCS ramping also requires less current than when using traditional current-limiting soft starts. As shown in the graph below, the TCS ramp can result in as much as 15% less current draw than a traditional current-limiting soft start.



A full-voltage start may also be obtained by increasing the current limit to the maximum setting and decreasing the ramp time to zero. The initial torque may be adjusted up to 100% of the motor nominal torque to assist in duplicating motor performance at full voltage.

Stopping Characteristics

The selection of freewheel stop, deceleration ramp, or INTELE™ braking is standard on all ATS46 controllers. The freewheel stop time ($t1$) is a function of the inertia and resistive torque of the application.

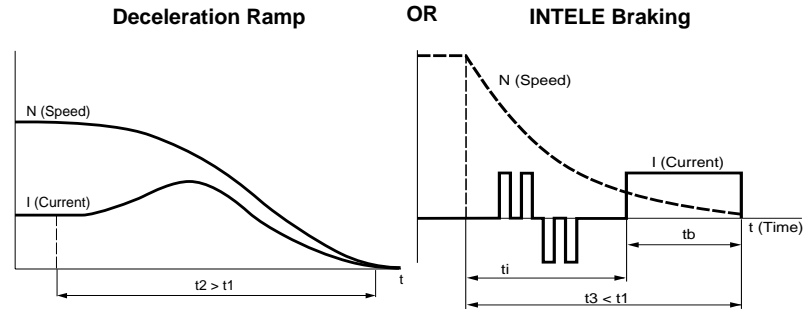
When using the deceleration ramp, the stopping time ($t2$) will be longer than the freewheel stop time ($t1$). By controlling the deceleration ramp based on the motor torque, the ATS46 controller can eliminate waterhammer without requiring a special “pump version” starter.



ALTISTART® 46 Soft Start Protective Features

When using INTELE braking, the stop time (t_3) will be less than the freewheel stopping time (t_1). INTELE braking is a two-part braking which does not require external components. It produces less motor heating than traditional DC injection braking.

The graphs shown below compare the performance of the deceleration ramp and INTELE braking.



Protective Features

The ATS46 controller provides state-of-the-art protection for motor and starter. The motor and starter status are continuously monitored even if a shorting contactor is used. User-adjustable overload protection is available with a pre-alarm, which can be used to signal a change in the process before an overload condition actually occurs. Phase loss protection is always present with a 500 millisecond delay to prevent nuisance tripping resulting from normal power disturbances. The following additional features are available and can be set-up using the keypad or communications module:

- Phase reversal protection — Upon a start command, the rotation of the mains phases is checked to prevent the motor from running in the reverse direction.
- Stall protection — A maximum starting time can be set to prevent a thermal overload if the motor is stalled during start-up. The maximum starting time can be adjusted from 10 to 999 seconds.
- Jam protection — For protection against material jams or unexpected loading, an overcurrent level can be set to signal a fault condition before the motor is actually overloaded. The overcurrent level can be adjusted from 50% to 300% of the motor nominal current.
- Underload protection — For indication of an unexpected loss in motor loading, such as might occur with a broken belt or a dry pump. The underload level can be adjusted based on the normal running torque for maximum application flexibility.

The ATS46 controller may be set up for automatic fault reset. This allows the controller to re-start after a nuisance trip if the fault has cleared. In addition, a special test mode is available for commissioning a high-horsepower controller using a low-horsepower, unloaded motor.

Thermal Overload Protection

A microprocessor-controlled surveillance system continuously monitors the temperature rise of the motor and of the starter unit. Calculations are based on the motor operating current measured by the controller as compared to the nominal current setting. The thermal state of the motor and controller are stored even when control power is lost.

A logic output pre-alarm indicates that the motor has exceeded its nominal temperature rise threshold before an overload occurs. After a stoppage due to a thermal fault, the control circuit prevents restarting if the temperature of the motor is still too high. You may configure the available logic input to require operator acknowledgment of a thermal overload to reset the controller.



ALTISTART® 46 Soft Start Set-Up and Monitoring

Starting Class	Tripping Time at 7.2 In ^[1]	Tripping Time at 3 In
2	1.5 s	9 s
10A	3.7 s	22 s
10	7.4 s	45 s
15	11.1 s	67 s
20	14.8 s	89 s
25	18.5 s	112 s
30	22.2 s	134 s

1. Conforming to IEC 947-4-1

The ATS46 controller is factory preset to provide class 10 overload protection for standard duty applications, but can be adapted for other starting classes (2, 10A, 15, 20, 25, or 30). The table to the left shows the tripping time according to starting class.

The factory setting is as follows:

- Class 10 for standard service
- Class 20 for heavy duty

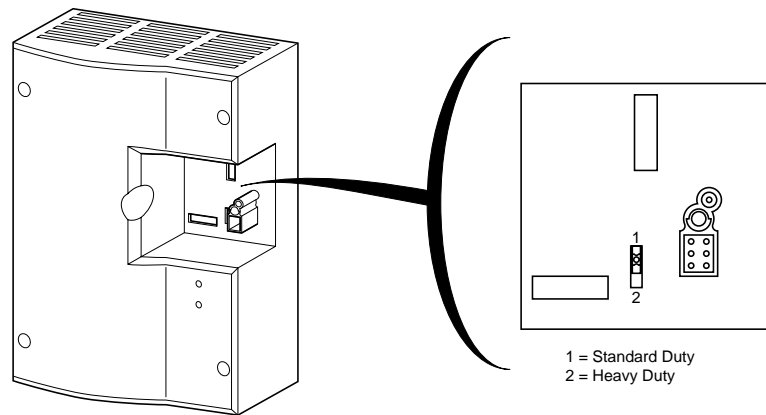
Standard duty for the starter unit is one which does not exceed 230 seconds at 3 times the motor nominal current per hour, or 6.3% of operating time including starting, stopping, or braking. For example, within one hour, the ATS46 controller could perform:

- 38 starts of 6 sec. or 10 starts of 23 sec.
- 19 starts of 6 sec. and 19 decelerated or braked stops of 6 sec.
- 5 starts of 23 sec. and 5 decelerated or braked stops of 23 sec.

Above these levels, the controller should be sized for heavy-duty operation.

Set-Up and Monitoring

The ATS46 controller is factory preset, which, for many applications, allows operation without requiring adjustment. As shown in the figure below, a switch is located behind the removable display module that can be toggled from standard-duty to heavy-duty application presets.



The ATS46 controller is factory preset to standard duty operation. To switch the factory presets for heavy duty applications, remove the keypad and change the selector switch to position 2, as shown in the inset of the figure above. For the change to take affect, control power must be cycled after adjusting the selector switch. The following factory presets change when adjusting the selector switch from position 1 to position 2:

Parameter		Standard-Duty Preset	Heavy-Duty Preset
Acceleration Ramp	AC	10 seconds	15 seconds
Current Limit	llt	300%	350%
Overload Protection	thp	Class 10	Class 20



ALTISTART® 46 Soft Start Set-Up and Monitoring

The factory preset for the motor nominal current, I_n , and corresponding motor combinations for standard-duty and heavy-duty presets are listed in the table below. If the motor full load amp rating is not between 95% and 105% of the ATS46 controllers factory preset value, or if using a 1.0 service factor motor, the nominal current setting for the motor should be adjusted for optimal motor protection and performance.

ATS46 Model	Rated Current	Standard-Duty Applications				Heavy-Duty Applications			
		Preset Motor Current	Motor Power Rating			Preset Motor Current	Motor Power Rating		
			I_n	208V	230V		460V	I_n	208V
ATS46D17N	17	15.2	3	5	10	12	2	3	7.5
ATS46D22N	22	21	5	7.5	15	15.2	3	5	10
ATS46D32N	32	28	7.5	10	20	21	5	7.5	15
ATS46D38N	38	34	10	—	25	28	7.5	10	20
ATS46D47N	47	42	—	15	30	34	10	—	25
ATS46D62N	62	54	15	20	40	42	—	15	30
ATS46D75N	75	68	20	25	50	54	15	20	40
ATS46D88N	88	80	25	30	60	68	20	25	50
ATS46C11N	110	98	30	40	75	80	25	30	60
ATS46C14N	145	128	40	50	100	98	30	40	75
ATS46C17N	176	160	50	60	125	128	40	50	100
ATS46C21N	210	190	60	75	150	160	50	60	125
ATS46C25N	257	236	75	100	200	190	60	75	150
ATS46C32N	320	290	100	125	250	236	75	100	200
ATS46C41N	410	367	125	150	300	290	100	125	250
ATS46C48N	480	430	150	—	350	367	125	150	300
ATS46C59N	590	547	—	200	400	430	150	—	350
ATS46C66N	660	610	200	250	500	547	—	200	400
ATS46C79N	790	725	250	300	600	610	200	250	500
ATS46M10N	1000	880	350	400	800	725	250	300	600
ATS46M12N	1200	1130	400	450	900	880	350	400	800

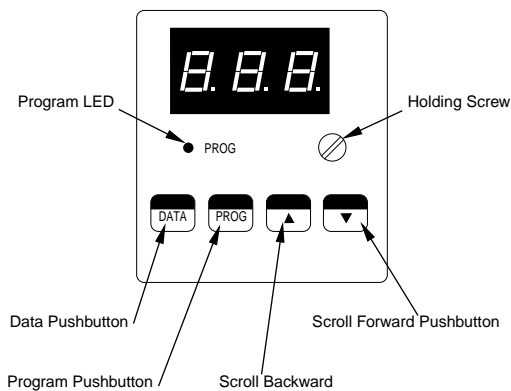
Note: If purchasing a Class 8636, 8638 or 8639 Enclosed ALTISTART Soft Start, modifications may have been made to the factory settings listed above to more closely match the motor full load amp ratings at the specified motor voltage. In addition, if an input contactor is provided, the R1 relay has been reset for isolation contactor control.

Keypad Use

A keypad is provided to allow digital setup of the controller and real-time indication of motor performance. The keypad has three seven-segment display characters, one program LED, and four pushbuttons for programming the controller, as shown in the figure to the left.

The keypad is removed by loosening the holding screw, and may be removed while the controller is switched on. The keypad is not required to be in place to operate the controller.

The adjustable parameters are separated into 3 levels. Two switches on the back of the display keypad may be adjusted to provide access to all three programming levels or prevent adjustment to the controller. To avoid accidental controller modifications, the controller is preset to prevent adjustment without first removing the keypad and changing the DIP switch setting.



Adjustment Capabilities

The following tables show the adjustment parameters if Level 1 is selected, which is usually selected for simple applications.

Level 1 Adjustment and Configuration Parameters		Adjustment Range
In	Motor nominal current (in A)	50 to 130%
ILt	Motor limit current (in A)	150 to 500%
Acc	Torque ramp on acceleration (in s)	1 to 60 seconds
dEc	Torque ramp on deceleration (in s)	1 to 60 seconds
STY	Stopping type (freewheel, ramp, braking)	f – b – d
Edc	Threshold to change to freewheel stopping at the end of the deceleration ramp (percentage of Tn)	0 to 100%
brc	Braking torque level (as a percentage)	0 to 100%

In addition to the Level 1 parameters shown above, the following parameters may be adjusted in Level 2.

Level 2 Adjustment and Configuration Parameters		Adjustment Range
bSt	Voltage boost (as a percentage of V)	50 to 100%
tqo	Initial starting torque (as a percentage of Tn)	0 to 100%
tLI	Maximum torque limit (as a percentage of Tn)	10 to 200%
ULL	Underload threshold (as a percentage of Tn)	20 to 100%
tLS	Maximum start time (in s)	10 to 999 s
thp	Motor thermal protection (choice of classes)	Off, 10, 10A, 15, 20, 25, 30

The following table shows the adjustment and monitoring parameters if Level 3 is selected (which allows the factory configuration to be modified).

Level 3 Parameters Which Can Be Configured			
ArS	Automatic restart	rth	Reset motor thermal state
CLp	Torque control	Int	Return to factory settings
LSc	Stator loss compensation (as a %)	SSt	Test on low power motor
O-4	Signal type in AO1	CSc	Cascade starting
LI	Assignment of LI	tFr	Operating time since reset (in hours)
Lo1	Assignment of LO1	EbA	Adjustment of braking (as a %)
OIL	Current tripping threshold (as a percentage of In)	Ao	Assignment of analogue output AO1
Phr	Phase rotation fault	ASc	Scale AO
rl	Assignment of relay R1		

This level is independent of Levels 1 and 2. When Level 3 is selected, the user does not have access to the parameters of Levels 1 and 2, but can reconfigure the basic product.

If the locking level is selected, only the monitoring parameters and Level 1 and 2 parameters can be read; no parameters can be modified.

Monitoring Capabilities

The following parameters may be monitored when in lockout mode or Level 1 or 2 programming levels.

Monitoring Parameters (displayed while the ATS46 is running)	
CoS	Value of $\cos \varphi$ (power factor)
Lth	Motor thermal state (as a percentage)
Ltr	Load status (as a percentage of Tn)
Lcr	Motor current (in A)
rdY	Starter status

In addition to monitoring the operational status of the motor, the following fault codes are available to simplify troubleshooting the application.

Fault Definitions			
Code	Description	Code	Description
O c F	Overcurrent fault	O h F	Starter thermal fault
I n F	Internal failure fault	L r F	Locked rotor fault
P i F	Phase inversion fault	U L F	Motor underload
P h F	Phase fault	S t F	Maximum start time exceeded
F r F	Frequency fault	E T F	External fault
U S F	Supply fault	S L F	Serial link fault
O L F ⁽¹⁾	Motor thermal fault		

1. If LI is configured for motor overload reset (LI), operator acknowledgment of the overload condition is required. The overload must also be reset through the logic input after the fault has cleared before restarting the motor.



ALTISTART® 46 Soft Start Set-Up and Monitoring



Option Modules

The following option modules may be used to display parameters and modify the factory settings. The modules are used in place of the display keypad, and are the same for all ATS46 soft start models.

Description	Reference	Weight (kg)
Remote mounting kit ^[1]	VW3G46103	0.500
Windows®-based PC software ^[2]	VW3G46104	0.500
Communication option for UNITELWAY™, MODBUS® RTU/Jbus, MODBUS ASCII protocols ^[3]	VW3G46301	0.500

1. Kit comprising a unit which plugs into the front panel of the ALTISTART 46 controller, a connection (3 meters long) and a flush-mounting kit. To be used with keypad provided with controller.
2. Assembly comprising a unit which plugs into the front panel of the ALTISTART 46 controller, a 3-1/2" diskette containing software, a connection cable (3 meters long), and a 9-25 contact adaptor
3. Option kit includes a unit which plugs into the front panel of the ATS46 controller and a connection cable (3 meters long)

General Characteristics

The asynchronous motor associated with the ATS46 controller must be capable of starting the load to be driven when it is supplied with reduced voltage.

The products are defined for normal or heavy duty. In cases of heavy duty, check with the motor manufacturer that any derating is compatible with the operating cycle and the starting times. This will avoid tripping the thermal overload protection integrated within the ATS46 controller, which may result from abnormal rises in the motor temperature.

Environmental Characteristics

Conformity to standards		The electronic soft-start/soft-stop units were developed and performance-tested in accordance with the following international standards and recommendations relating to industrial control gear (IEC, NFC, VDE), IEC 947-4-2, UL, and CSA.
Marking		The products have CE marking in accordance with the low voltage and electromagnetic compatibility directives.
Degree of protection	Starters ATS-46D17N to 46C14N Starters ATS-46C17N to 46M12N	NEMA: Open devices IEC: IP 20 (IP 10 when no connections are present) IP 00
Shock resistance	Conforming to IEC 68-2-27 Starters ATS-46D17N to 46D38N	15 g for 11ms
Vibration resistance	Conforming to IEC 68-2-6, NFC 2076 and BV1	
Ambient air temperature	For operation For storage	0 to +40°C without derating (between +40°C and +60°C derate the ALTISTART Soft Start current by 1.2% for each degree C) -25 to +70°C
Maximum relative humidity	Conforming to IEC 68-2-3	93% without condensation or dripping water
Maximum ambient pollution	Conforming to IEC 664	Degree 3
Maximum operating altitude		1000m without derating (above this, derate the ATS46 controller current by 0.5% for each additional 100m)
Operating Position ^[1] Permanent maximum angle in relation to the normal vertical mounting position		15° 15°

1. In certain (marine) applications, the starter can temporarily tolerate an angle of ±45° in relation to the vertical



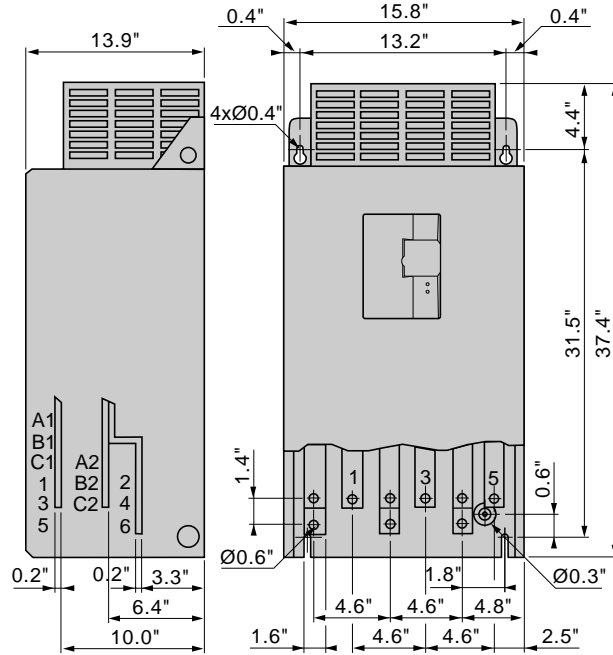
Electrical Characteristics

Category of use	Conforming to IEC 947-4-2	AC-53a
3-phase supply voltage		208V – 10%...240V + 10% 380V – 15%...415V + 10% 440V – 15%...500V + 10%
Frequency		50 or 60 Hz, self-adapting ±5% while starting, +5/-15% while running
Nominal current		17...1200A in 21 ratings
Motor power		2 to 900 hp
Voltage indicated on the motor rating plate		208V...240V 380V...415V 440V...500V
Current adjustment		The motor nominal current is adjustable from 0.5 to 1.3 times the product rating, and the maximum starting current may be adjusted from 1.5 to 5 times the product rating
Starting method		Factory setting: 3 times the nominal current for standard duty on a torque ramp of 10s, adjustable from 0.5 to 60 seconds
Method of stopping	Freewheel	"Freewheel" stop by default
	Controlled by torque ramp	Adjustable from 0.5 to 60 seconds
	Braked stop	Automatically controlled by the load inertia
LED Display	Locking (red)	On indicates fault; flashing indicates automatic reset
	Supply on (green)	On indicates supply on
Output relays (2 relays)	Fault Relay (can be assigned for control of an isolation contactor)	R1: 1 "N/O" & 1 "N/C"
	End of Start Relay	R2: 1 "N/O"
	Maximum operating power	Inrush 1200VA, maintained 120VA
	Minimum switching capacity	100 mA@ 24V
	Nominal operating current	0.5A. Categories AC-14, AC-15 (@ 240V), and DC-13 (@ 48V)
	Nominal thermal current	5A
	Maximum operating voltage	400V
	Mechanical durability	50 million operating cycles
Analog output AO	Indication of motor current, torque, thermal state, or power factor.	Current output 0-20mA with 500 ohm impedance; can be reassigned to 4-20mA. Precision ± 3%, linearity ± 3%
Logic outputs LO	LO1 (indication of thermal pre-alarm or motor powered)	Maximum voltage 40V, minimum voltage 10V
	LO2 (excess current alarm)	Maximum output current 200mA
Available internal power supply		1 isolated output + 24V (PL) Precision +/- 20% Maximum 100 mA
Logic inputs LI	Force to freewheel, external fault, reset of thermal overload, local control, or cascade	3 logic inputs with 3.5 kohm impedance Power supply + 24V State 0 if < 5V; State 1 if > 11V
Protection	Mains supply protection	Integrated thermal protection for motor and starter unit Phase failure and imbalance indicated by output relay
	Thermocontacts	On fan-cooled units, 75 to 1200A ratings
Selection of starter unit		The ATS46 controller must be selected according to the nominal power of the motor and the duty required. Any starter can be used for standard or heavy duty. For heavy duty, derate the starter by one nominal motor size. The ATS46 controller can be used for heavy duty applications at the standard duty rating if the product is bypassed at the end of starting.

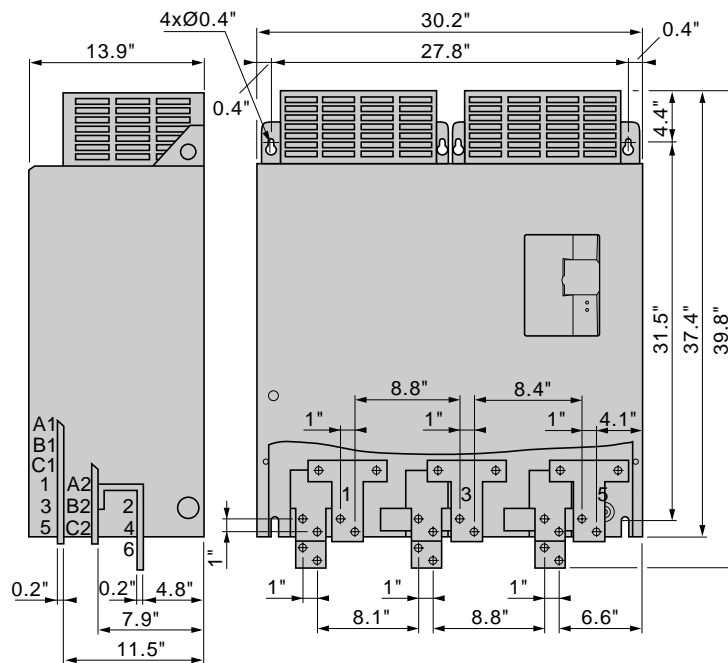


**ALTISTART® 46 Soft Start
Dimensions**

ATS46 C41N to C66N



ATS46 C79N to M12N



ALTISTART® 46 Soft Start Component List for Recommended Wiring Diagrams

Recommended wiring diagrams shown on pages 19-21.

Induction Motor			ALTISTART Controller				
M			ATS		FU1/FU2		
Rated hp [1]			ATS46 Soft Start	Rated Current	ATS Control	Class CC Control Fuse Size	
208V	230V	460V	Model	@ 40°C [2]	Power Burden	@ 208/230V	@ 460V
3	5	10	ATS46 D17N	17	10VA	0.25	0.25
5	7.5	15	ATS46 D22N	22	10VA	0.25	0.25
7.5	10	20	ATS46 D32N	32	10VA	0.25	0.25
10		25	ATS46 D38N	38	10VA	0.25	0.25
	15	30	ATS46 D47N	47	10VA	0.25	0.25
15	20	40	ATS46 D62N	62	50VA	0.5	0.25
20	25	50	ATS46 D75N	75	50VA	0.5	0.25
25	30	60	ATS46 D88N	88	50VA	0.5	0.25
30	40	75	ATS46 C11N	110	50VA	0.5	0.25
40	50	100	ATS46 C14N	145	50VA	0.5	0.25
50	60	125	ATS46 C17N	176	230VA	1.6	0.8
60	75	150	ATS46 C21N	210	230VA	1.6	0.8
75	100	200	ATS46 C25N	257	230VA	1.6	0.8
100	125	250	ATS46 C32N	320	230VA	1.6	0.8
125	150	300	ATS46 C41N	410	360VA	2.0	1.0
150		350	ATS46 C48N	480	360VA	2.0	1.0
	200	400	ATS46 C59N	590	360VA	2.0	1.0
200	250	500	ATS46 C66N	660	360VA	2.0	1.0
250	300	600	ATS46 C79N	790	540VA	3.0	2.0
300	400	800	ATS46 M10N	1000	540VA	3.0	2.0
400	450	900	ATS46 M12N	1200	540VA	3.0	2.0

To select control operators (push buttons, pilot lamps, and selector switches), control power transformers, and wire management devices (control and power terminal strips, wire terminations) indicated on the referenced control circuit configurations, refer to the latest editions of Square D's full line product catalogs.

Notes:

- Motor full load currents through 500 hp @ 460 V and 250 hp @ 230 V are taken from UL508 Table 54.2 (NFPA 70, Table 430-150). Above 500 hp @ 460 V and 250 hp @ 230 V, motor full load currents are calculated based upon 1.2 A/hp for 460 V and 2.4 A/hp for 230 V. Motors listed are for standard duty applications. For heavy duty applications, select the next larger controller size.
- The ambient temperature indicated in the table represents the temperature of the air surrounding the ALTISTART controller. Any additional temperature factors associated with the enclosure system or actual installation ambient temperature must be considered when determining the actual rated current (I_{CL}) of the starter. For operating ambient above 40 °C but not exceeding 60 °C, the rated current (I_{CL}) of the starter must be de-rated by 1.2% per °C.



ALTISTART® 46 Soft Start

Component List for Recommended Wiring Diagrams

(continued from page 16)

Contactors [3, 4, 7]				Disconnect [10]			
KM1	KM2		KM3	Fusible Disconnect			Circuit Breaker
Isolation Contactor	Reversing Contactor [5]	Mechanical Interlock	Shorting Contactor	Power Fuses Class/Rating	Fuse Block [8]	Molded Case Switch [9]	Thermal Magnetic [9]
LC1 D1211G6	LC1 D1211G6	[6]	N/A	RK5 / 20	9080 FB3611R	FHL36000M	FAL34030
LC1 D1811G6	LC1 D1811G6	[6]	N/A	RK5 / 30	9080 FB3611R	FHL36000M	FAL36040
LC1 D3211G6	LC1 D3211G6	[6]	N/A	RK5 / 40	9080 FB3621R	FHL36000M	FAL34050
LC1 D3211G6	LC1 D3211G6	[6]	N/A	RK5 / 45	9080 FB3621R	FHL36000M	FAL34060
LC1 D4011G6	LC1 D4011G6	[6]	LC1 D4011G6	RK5 / 60	9080 FB3621R	FHL36000M	FAL34080
LC1 D5011G6	LC1 D5011G6	[6]	LC1 D5011G6	RK5 / 70	9080 FB3631R	FHL36000M	FAL34090
LC1 D6511G6	LC1 D6511G6	[6]	LC1 D6511G6	RK5 / 90	9080 FB3631R	FHL36000M	FAL34100
LC1 D8011G6	LC1 D8011G6	[6]	LC1 D8011G6	RK5 / 110	6R200A3BE	FHL36000M	KAL36110
LC1 D8011G6	LC1 D8011G6	[6]	LC1 D8011G6	RK5 / 150	6R200A3BE	KHL36000M	KAL36150
LC1 F150G6	LC1 F150G6	LA9 FF970	LC1 F150G6	RK5 / 175	6R200A3BE	KHL36000M	KAL36200
LC1 F150G6	LC1 F150G6	LA9 FF970	LC1 F150G6	RK5 / 200	6R200A3BE	KHL36000M	LAL36225
LC1 F185G6	LC1 F185G6	LA9 FG970	LC1 F185G6	RK5 / 250	6R400A3B	KHL36000M	LAL36250
LC1 F265G7	LC1 F265G7	LA9 FJ970	LC1 F265G7	RK5 / 350	6R400A3B	LHL36000M	LAL36350
LC1 F330G7	LC1 F330G7	LA9 FJ970	LC1 F330G7	RK5 / 400	6R400A3B	LHL36000M	LAL36400
LC1 F400F7	LC1 F400F7	LA9 FJ970	LC1 F400F7	RK5 / 500	6R600A3B	LHL36000M	MAL36600
LC1 F400F7	LC1 F400F7	LA9 FJ970	LC1 F400F7	RK5 / 600	6R600A3B	MHL360006M	MAL36600
LC1 F500F7	LC1 F500F7	LA9 FJ970	LC1 F500F7	L / 650	[8]	MHL360008M	MAL36800
LC1 F500F7	LC1 F500F7	LA9 FJ970	LC1 F500F7	L / 800	[8]	MHL360008M	MAL36900
LC1 F630F7	LC1 F630F7	LA9 FL970	LC1 F630F7	L / 1000	[8]	MHL36000M	[11]
LC1 F630F7	LC1 F630F7	LA9 FL970	LC1 F630F7	L / 1100	[8]	MHL36000M	[11]
LC1 F780F7	LC1 F780F7	LA9 FX970	LC1 F780F7	L / 1600	[8]	NCL3600012M	[11]

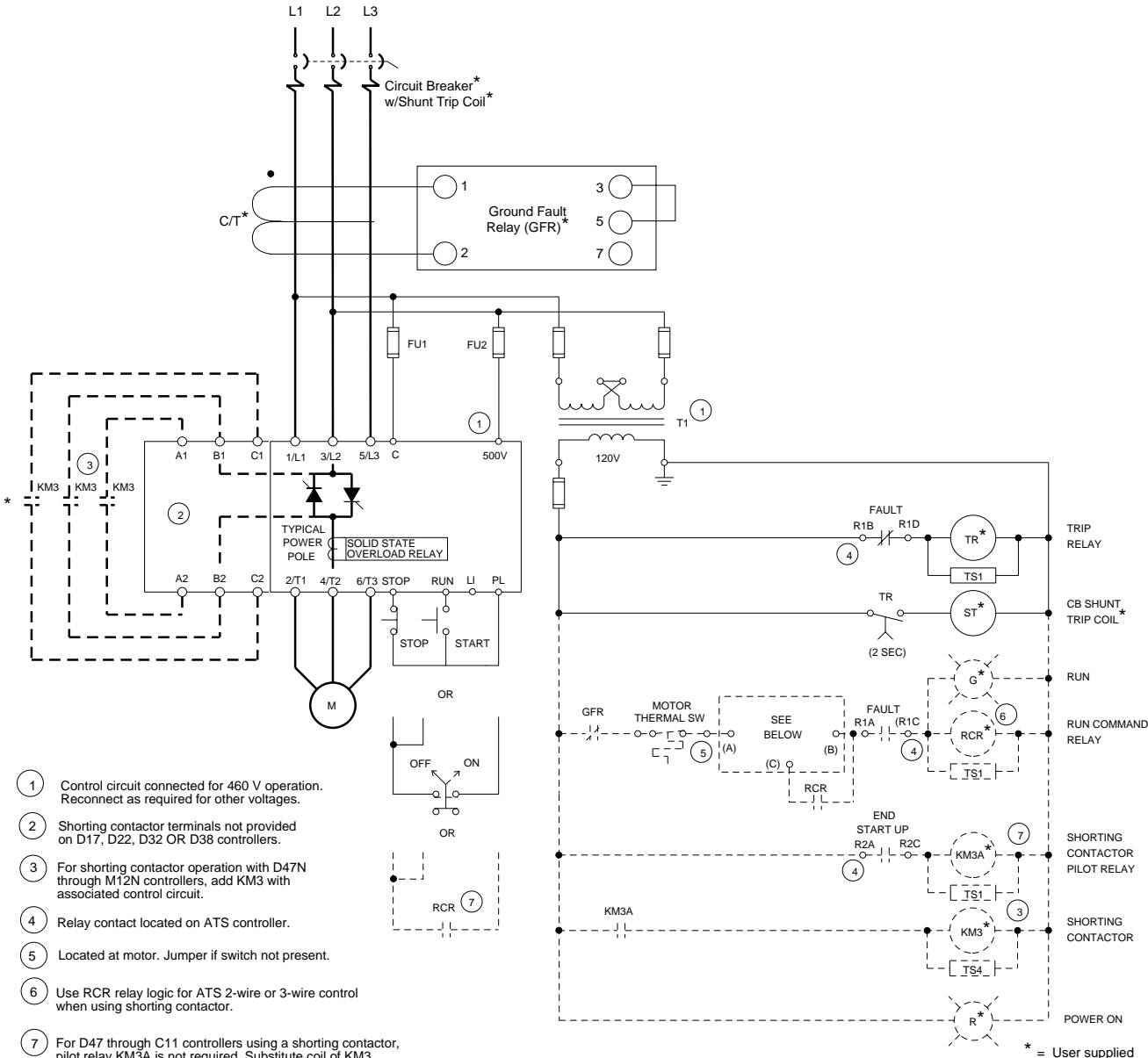
Notes:

- All coils are selected for 120 V, 60 Hz operation. Refer to the Digest for additional coil voltages or auxiliary contact configurations. One block may be added to each contactor.
- Power terminals are not included with LC1-F contactors. Refer to the latest editions of Square D's full line product catalogs for additional ordering information.
- Reversing contactors for C11 through M12 controllers must be assembled from components. Parts quantities for a basic contactor assembly, minus the power connection links and terminals, are indicated before each part number. Refer to the latest editions of Square D's full line product catalogs for power connector link and terminal kits. Reversing contactor interlock units used for the C79 through M12 controllers are designed for vertical interlocking of the individual contactors. Horizontally interlocked contactors are used for D17 through C59 controllers.
- The "D" Line Contactor is available as a reversing configuration. For these applications, change the KM1 part number prefix from LC1- to LC2- to order the KM1 and KM2 combination complete with mechanical interlocks.
- The use of transient suppressors across all contactor coils is recommended. Refer to the latest editions of Square D's full line product catalogs for selection of transient suppressors.
- Fuse holders listed are for Class R fuses only. Fuse blocks recommended for use with ATS46 soft start models D88 through C48 are Bussmann part numbers. Class L fuses require bolt-on connections to user-supplied power bus work.
- The molded case switches and circuit breakers selected require the addition of operator mechanisms to allow operation from the exterior of an enclosure. Refer to the latest editions of Square D's full line product catalogs for operator mechanism information. When using a shunt trip relay for SCR fault isolation, order a disconnect switch with suffix -1021 for addition of shunt trip coil.
- According to the National Electric Code, branch circuit overcurrent protection must be provided for each controller. Short circuit protective devices recommended in this table are within NEC requirements for Type 1 coordination.
- Devices rated above 660 A have not been coordinated with circuit breakers. Must use Class L fuse for overcurrent protection with ATS46 soft start models C79, M10, and M12N.

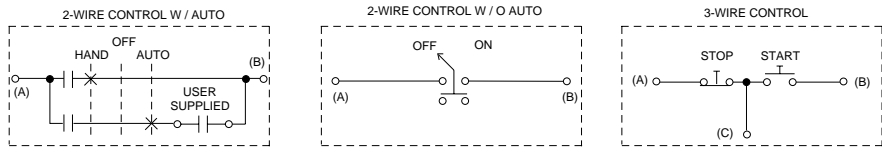


ALTISTART® 46 Soft Start Recommended Wiring Diagrams

Non-Reversing with Shunt Trip Fault Isolation



- ① Control circuit connected for 460 V operation. Reconnect as required for other voltages.
- ② Shorting contactor terminals not provided on D17, D22, D32 OR D38 controllers.
- ③ For shorting contactor operation with D47N through M12N controllers, add KM3 with associated control circuit.
- ④ Relay contact located on ATS controller.
- ⑤ Located at motor. Jumper if switch not present.
- ⑥ Use RCR relay logic for ATS 2-wire or 3-wire control when using shorting contactor.
- ⑦ For D47 through C11 controllers using a shorting contactor, pilot relay KM3A is not required. Substitute coil of KM3 contactor in place of KM3A pilot relay.

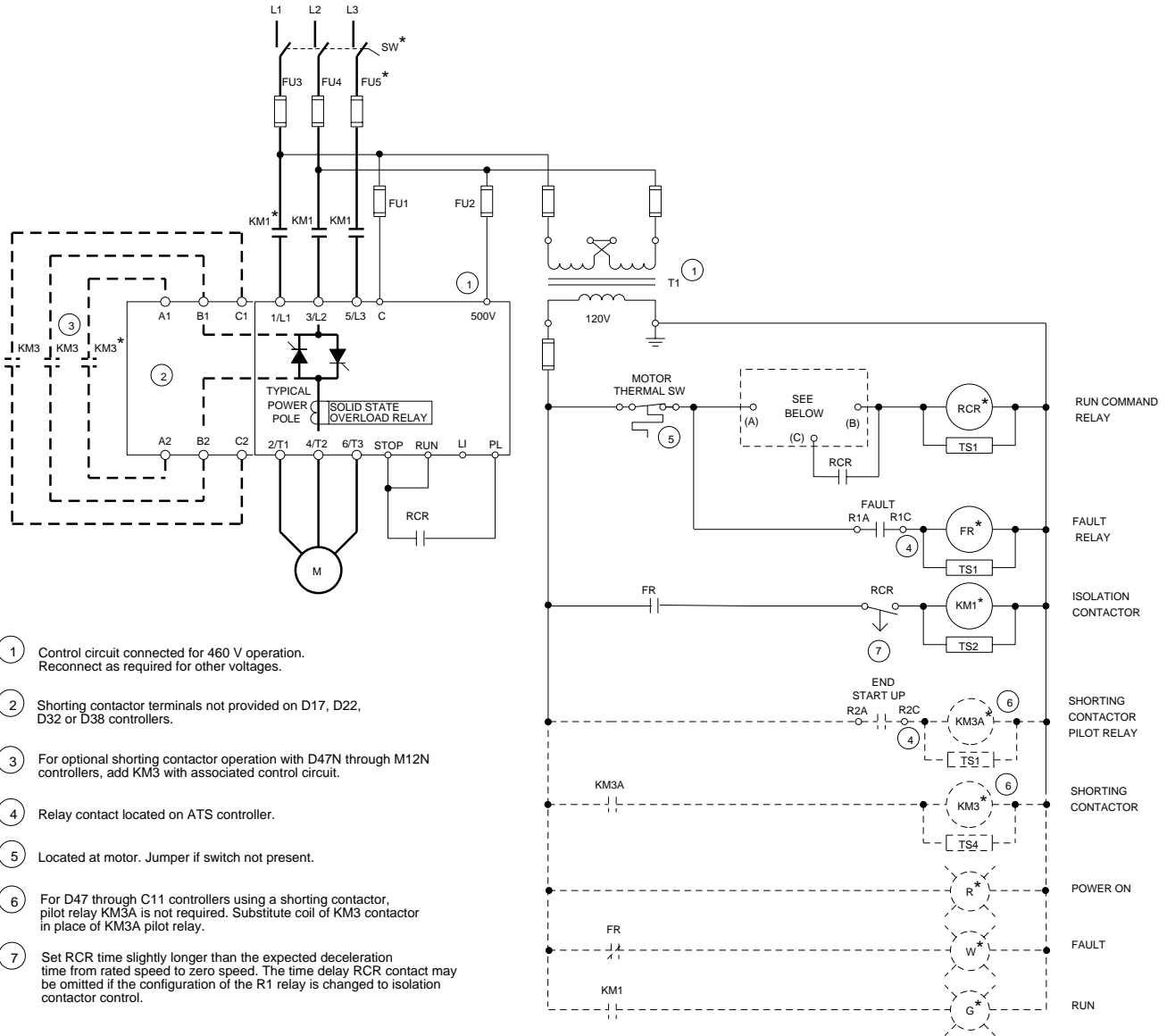


* = User supplied

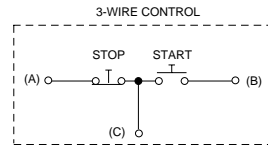
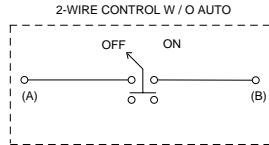
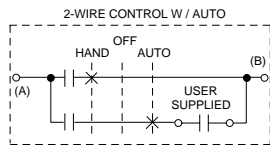


ALTISTART® 46 Soft Start Recommended Wiring Diagrams

Non-Reversing with Isolation Contactor



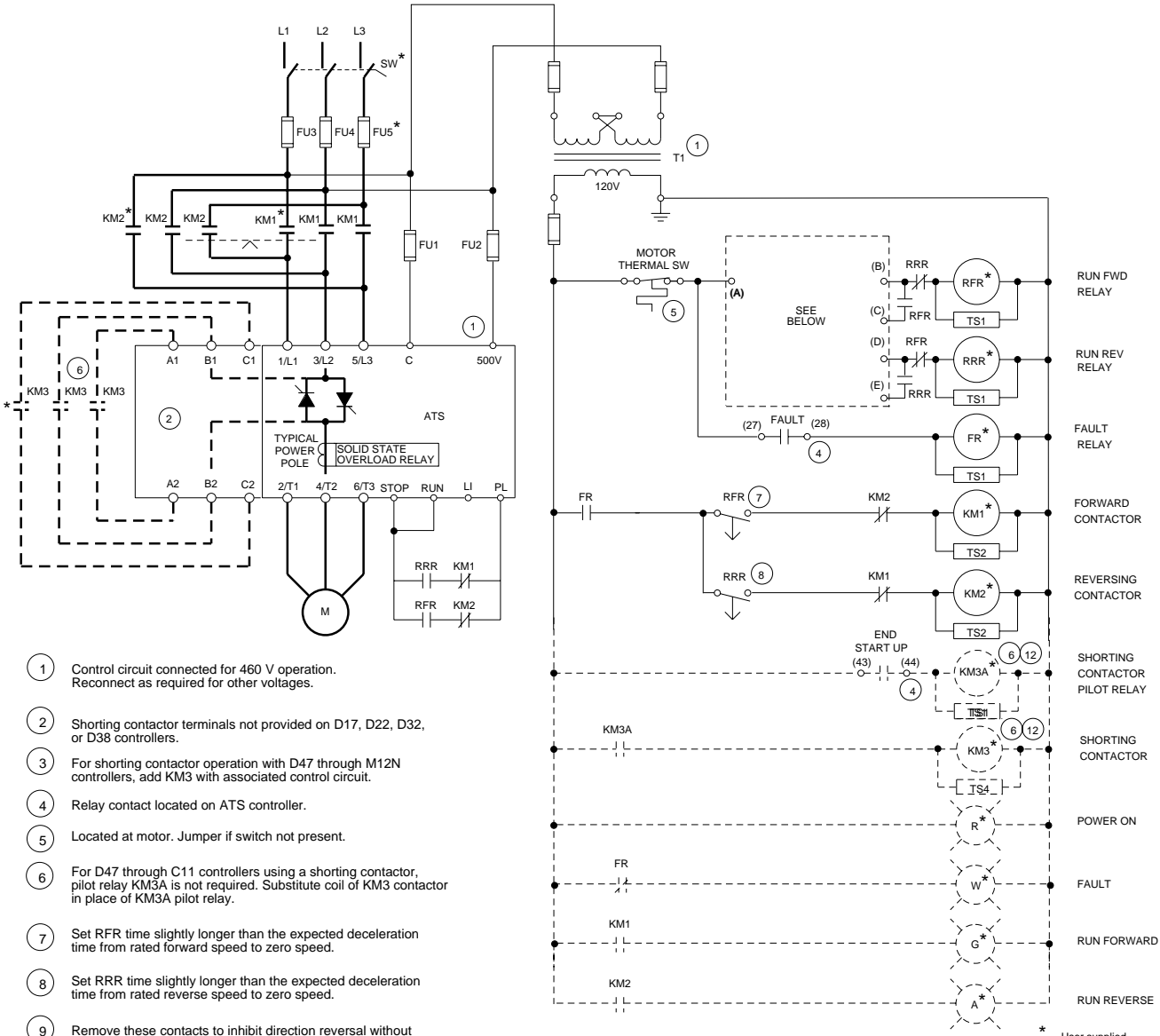
- ① Control circuit connected for 460 V operation. Reconnect as required for other voltages.
- ② Shorting contactor terminals not provided on D17, D22, D32 or D38 controllers.
- ③ For optional shorting contactor operation with D47N through M12N controllers, add KM3 with associated control circuit.
- ④ Relay contact located on ATS controller.
- ⑤ Located at motor. Jumper if switch not present.
- ⑥ For D47 through C11 controllers using a shorting contactor, pilot relay KM3A is not required. Substitute coil of KM3 contactor in place of KM3A pilot relay.
- ⑦ Set RCR time slightly longer than the expected deceleration time from rated speed to zero speed. The time delay RCR contact may be omitted if the configuration of the R1 relay is changed to isolation contactor control.



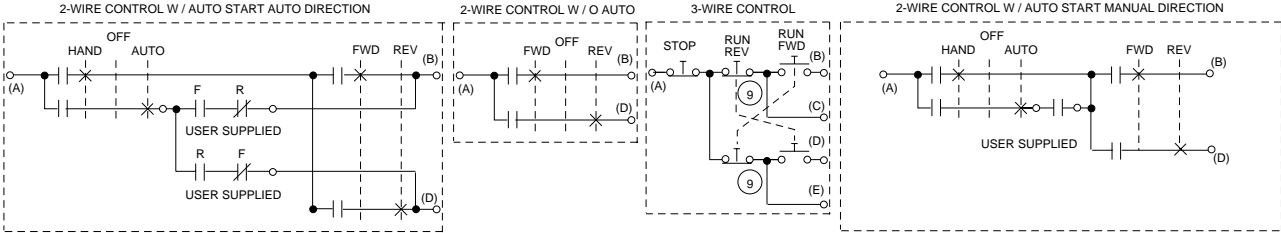
* = User supplied

ALTISTART® 46 Soft Start Recommended Wiring Diagrams

Reversing with Isolation Contactors



- ① Control circuit connected for 460 V operation. Reconnect as required for other voltages.
- ② Shorting contactor terminals not provided on D17, D22, D32, or D38 controllers.
- ③ For shorting contactor operation with D47 through M12N controllers, add KM3 with associated control circuit.
- ④ Relay contact located on ATS controller.
- ⑤ Located at motor. Jumper if switch not present.
- ⑥ For D47 through C11 controllers using a shorting contactor, pilot relay KM3A is not required. Substitute coil of KM3 contactor in place of KM3A pilot relay.
- ⑦ Set RFR time slightly longer than the expected deceleration time from rated forward speed to zero speed.
- ⑧ Set RRR time slightly longer than the expected deceleration time from rated reverse speed to zero speed.
- ⑨ Remove these contacts to inhibit direction reversal without first depressing STOP pushbutton.



ALTISTART® 46 Soft Start

Component List for Recommended Wiring Diagrams



8638PFA4N-CP

Enclosed ATS46 Starters

Enclosed ATS46 soft starters follow the recommended wiring diagrams shown on pages 16 through 18 to provide automatic SCR fault isolation. On non-combination controllers, the disconnect must be supplied separately, and must not exceed the maximum fuse or thermal magnetic circuit breaker size listed on page 20.

If an isolation contactor is not specified, the shunt trip relay must be tied into the external disconnect mechanism on non-combination starters to maintain the recommended level of SCR fault isolation.

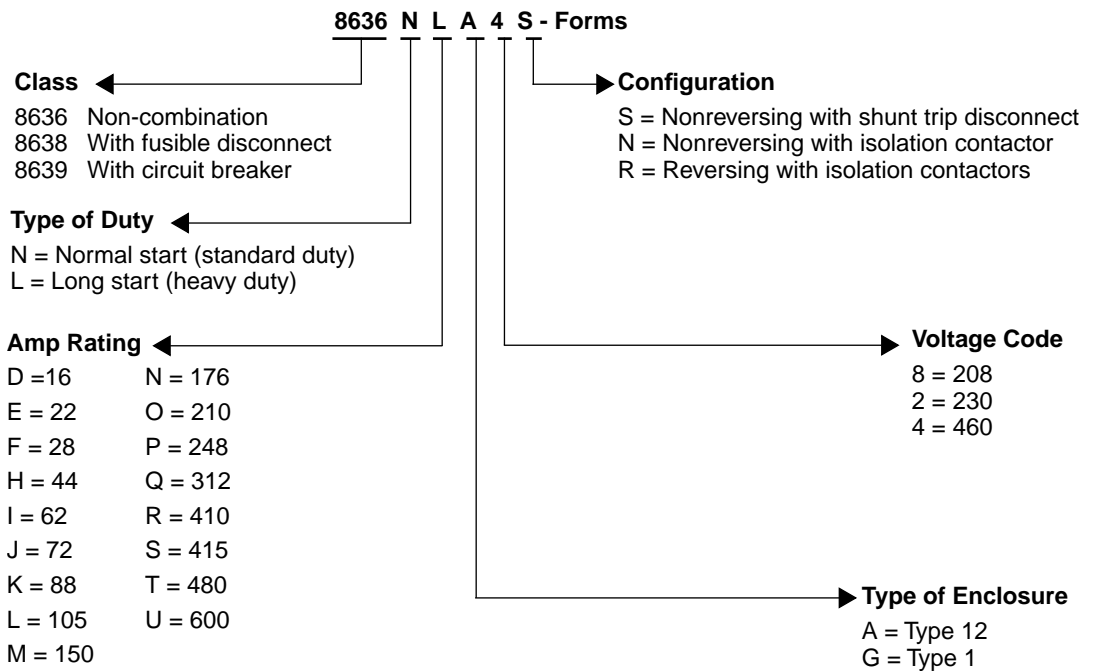
Enclosed packages with a heavy duty rating utilize the next larger ALTISTART controller model, and are coordinated for larger overcurrent protective devices as required to obtain longer starting times.

The factory presets on enclosed ALTISTART controller units are listed on page 10. The motor nominal current settings are adjusted on some controllers to more closely match the NEC motor current rating at the specified motor voltage.

The fault relay on enclosed units with isolation contactor (that is, type ***N) is pre-programmed for control of an isolation contactor. In this configuration, the R1 relay changes state upon a start command, and switches back if a fault is detected or after deceleration (if selected) is complete. This provides isolation of the soft starter and motor in a fault condition and when the motor is off.

Enclosed ATS46 Starters Catalog Number Identification

Catalog numbers for enclosed ATS46 soft starters may be interpreted using the following information:



For example, catalog number 8638NLA4S-CP1 designates a 460 V, 75 hp enclosed ALTISTART combination starter with fusible disconnect, fuse block, and shorting contactor. The operator controls (HOA and Run pilot light) are mounted on the door.



ALTISTART® 46 Soft Start

Component List for Recommended Wiring Diagrams



8638PFA4N-CP

Enclosed ATS46 Starters

Enclosed ATS46 soft starters follow the recommended wiring diagrams shown on pages 16 through 18 to provide automatic SCR fault isolation. On non-combination controllers, the disconnect must be supplied separately, and must not exceed the maximum fuse or thermal magnetic circuit breaker size listed on page 20.

If an isolation contactor is not specified, the shunt trip relay must be tied into the external disconnect mechanism on non-combination starters to maintain the recommended level of SCR fault isolation.

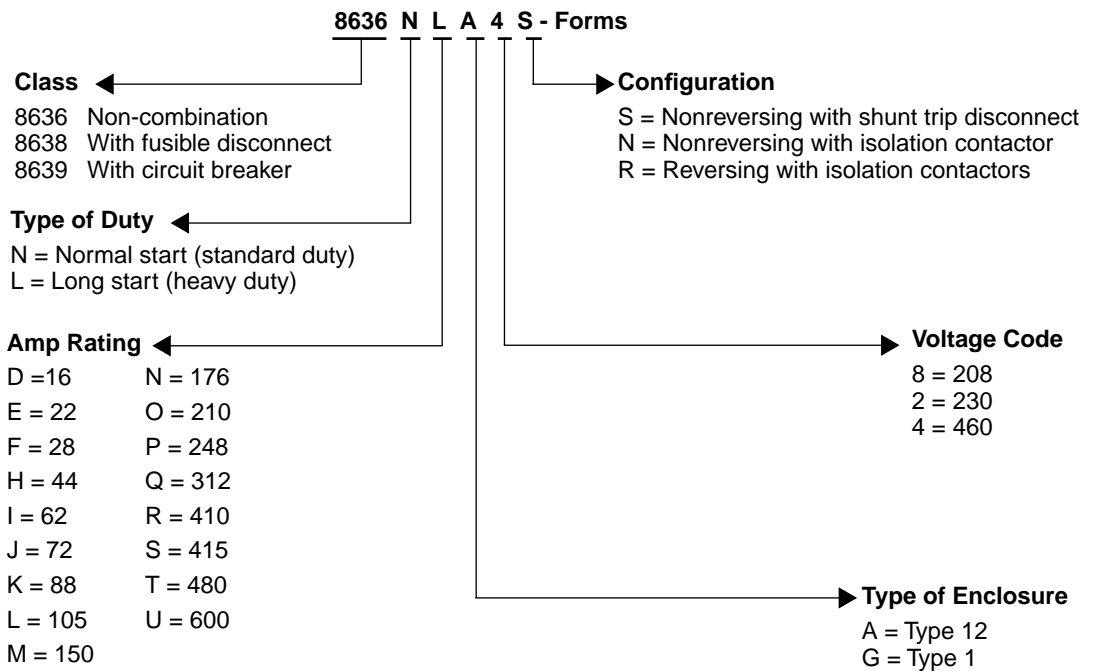
Enclosed packages with a heavy duty rating utilize the next larger ALTISTART controller model, and are coordinated for larger overcurrent protective devices as required to obtain longer starting times.

The factory presets on enclosed ALTISTART controller units are listed on page 10. The motor nominal current settings are adjusted on some controllers to more closely match the NEC motor current rating at the specified motor voltage.

The fault relay on enclosed units with isolation contactor (that is, type ***N) is pre-programmed for control of an isolation contactor. In this configuration, the R1 relay changes state upon a start command, and switches back if a fault is detected or after deceleration (if selected) is complete. This provides isolation of the soft starter and motor in a fault condition and when the motor is off.

Enclosed ATS46 Starters Catalog Number Identification

Catalog numbers for enclosed ATS46 soft starters may be interpreted using the following information:



For example, catalog number 8638NLA4S-CP1 designates a 460 V, 75 hp enclosed ALTISTART combination starter with fusible disconnect, fuse block, and shorting contactor. The operator controls (HOA and Run pilot light) are mounted on the door.

Technical Characteristics

Environment	Degree of protection	The Type 1 enclosures are for general-purpose use. The Type 12 enclosures are sealed to prevent dust and oil from entering the cabinet. The doors are gasketed, the 22mm door-mounted operator devices are oil-tight. Enclosures are painted beige as standard.
	Conformity to standards	Conforms to UL508; Listed by UL Immunity to radioelectrical interference: conforming to IEC 801-3
	Operational test vibration	Conforming to IEC 721-3-3-3M3 amplitude peak to peak from 2-9 Hz
	Transit test to shock	Conforming to National Safe Transit Association and International Safe Transit Association test for packages weighing 100 pounds and over
	Ambient air temperature	Operation: Ambient conditions in installed area from 0 to 40° C; Storage: -25° to +70° C
	Maximum relative humidity	93% non-condensing
	Maximum operating altitude	1000 m (3300 ft.), derate by 1.2% for each additional 100 m up to 3000 m maximum.
Characteristics	3-phase supply voltage	208 ± 10%; 230 ± 15%; 460 ± 15%
	Control voltage	115 (CPT included as standard)
	Frequency	50 to 60 Hz
	Rated current	See Product Selection Tables on pages 23 through 25
	Motor power	2 to 500 hp
	Motor voltage	208, 220, 230, 240, 460, 480
	Duty cycle	Type N: 6 starts per hour, 300% current limit, 26 seconds per start – Class 10 overload Type L: 3 starts per hour, 350% current limit, 46 seconds per start – Class 20 overload
Operation	Methods of Starting	
	Torque ramp	Adjustable from 1 to 60 seconds by keypad
	Current limitation	Adjustable from 150% to 500% of starter-rated current by keypad
	Booster start-up pulse	Full voltage starting for 5 cycles of 50 to 100% mains voltage, selectable by keypad
	Methods of Stopping	
Freewheel	Coast to rest on stop command	
Torque deceleration ramp	Adjustable from 1 to 60 seconds by keypad	
InTele Braking	Selectable by keypad	
Status and Diagnostics	Door-mounted keypad for display of starter, motor, and fault statuses.	
Protection	Motor	
	Thermal overload	Solid state thermal overload is integral to the ALTISTART controller. Selectable overload class 10, 20, or 30 via keypad. Range is 50% to 100% of controller rated current.
	Shunt-trip disconnect	Removes all power from controller cabinet when the controller detects a fault condition.
	Isolation contactor	Removes supply power from SCR power circuit and motor when motor is not running or when the ALTISTART controller detects a fault condition.
	Controller	
OCPD	Provides Type 1 coordination to the short circuit current withstand ratings listed in the selection tables.	
Shorting contactor	Standard on controllers in Type 12 enclosures rated over 40A, and optional in Type 1 enclosures rated over 40 A; reduces temperature rise within the enclosure by eliminating the watts loss of SCRs. Control of contactor allows all forms of stopping as well as providing protective features.	
Thermal switch	Controllers rated 72 A and above have 2 thermal switches, one controls the fan (50° C), the other protects against overheating. Controllers rated below 72 A have one thermal switch to protect against overheating.	



ALTISTART® 46 Soft Start Product Selection

Class 8636 Non-Combination Enclosed ALTISTART 46 Controller

Voltage	Motor (hp)	ATS46 Rated Amps*	Type 1 Enclosure		Type 12 Enclosure		Withstand Rating with Thermal Magnetic Circuit Breaker▲
			Connection for External Shutdown	With Isolation Contactor	Connection for External Shunt Trip	With Isolation Contactor	
			Type	Type	Type	Type	
208 V	3	17	NDG8S	NDG8N	NDA8S	NDA8N	5,000
	5	22	NEG8S	NEG8N	NEA8S	NEA8N	5,000
	7.5	32	NFG8S	NFG8N	NFA8S	NFA8N	5,000
	10	47	NHG8S	NHG8N	NHA8S	NHA8N	5,000
	15	62	NIG8S	NIG8N	NIA8S	NIA8N	5,000
	20	75	NJG8S	NJG8N	NJA8S	NJA8N	10,000
	25	88	NKG8S	NKG8N	NKA8S	NKA8N	10,000
	30	110	NLG8S	NLG8N	NLA8S	NLA8N	10,000
	40	145	NMG8S	NMG8N	NMA8S	NMA8N	10,000
	50	176	NNG8S	NNG8N	NNA8S	NNA8N	18,000
	60	210	NOG8S	NOG8N	NOA8S	NOA8N	18,000
	75	257	NPG8S	NPG8N	NPA8S	NPA8N	18,000
	100	320	NQG8S	NQG8N	NQA8S	NQA8N	18,000
	125	410	NRG8S	NRG8N	NRA8S	NRA8N	18,000
200	590	NTG8S	NTG8N	NTA8S	NTA8N	30,000	
230 V	5	17	NDG2S	NDG2N	NDA2S	NDA2N	5,000
	7.5	22	NEG2S	NEG2N	NEA2S	NEA2N	5,000
	10	32	NFG2S	NFG2N	NFA2S	NFA2N	5,000
	15	47	NHG2S	NHG2N	NHA2S	NHA2N	5,000
	20	62	NIG2S	NIG2N	NIA2S	NIA2N	5,000
	25	75	NJG2S	NJG2N	NJA2S	NJA2N	10,000
	30	88	NKG2S	NKG2N	NKA2S	NKA2N	10,000
	40	110	NLG2S	NLG2N	NLA2S	NLA2N	10,000
	50	145	NMG2S	NMG2N	NMA2S	NMA2N	10,000
	60	176	NNG2S	NNG2N	NNA2S	NNA2N	18,000
	75	210	NOG2S	NOG2N	NOA2S	NOA2N	18,000
	100	257	NPG2S	NPG2N	NPA2S	NPA2N	18,000
	125	320	NQG2S	NQG2N	NQA2S	NQA2N	18,000
	150	410	NRG2S	NRG2N	NRA2S	NRA2N	18,000
200	590	NTG2S	NTG2N	NTA2S	NTA2N	30,000	
460 V	10	17	NDG4S	NDG4N	NDA4S	NDA4N	5,000
	15	22	NEG4S	NEG4N	NEA4S	NEA4N	5,000
	20	32	NFG4S	NFG4N	NGA4S	NGA4N	5,000
	30	47	NHG4S	NHG4N	NHA4S	NHA4N	5,000
	40	62	NIG4S	NIG4N	NIA4S	NIA4N	5,000
	50	75	NJG4S	NJG4N	NJA4S	NJA4N	10,000
	60	88	NKG4S	NKG4N	NKA4S	NKA4N	10,000
	75	110	NLG4S	NLG4N	NLA4S	NLA4N	10,000
	100	145	NMG4S	NMG4N	NMA4S	NMA4N	10,000
	125	176	NNG4S	NNG4N	NNA4S	NNA4N	18,000
	150	210	NOG4S	NOG4N	NOA4S	NOA4N	18,000
	200	257	NPG4S	NPG4N	NPA4S	NPA4N	18,000
	250	320	NQG4S	NQG4N	NQA4S	NQA4N	18,000
	300	410	NRG4S	NRG4N	NRA4S	NRA4N	18,000
350	480	NSG4S	NSG4N	NSA4S	NSA4N	30,000	
400	590	NTG4S	NTG4N	NTA4S	NTA4N	30,000	

* Rated amps are for standard duty operation. For applications requiring more than 10 starts per hour (maximum start time 26 seconds at 300% current limit), select the next larger controller size. The duty cycle must not exceed 2 starts per hour (maximum start time 45 seconds at 350% current or equivalent). Type NU units are rated for 2 starts per hour, with a maximum start time of 15 seconds.

▲ When coordinated with Type RK5 or L power fuses as recommended on page 20, the withstand rating is 65,000 A RMS for all models.



Class 8638 Combination ALTISTART 46 Controllers – Fusible Disconnect

Voltage	Motor (hp)	ATS46 Rated Amps*	Non-Reversing				Reversing		Withstand Rating Type 1
			With Shunt Trip Coil		With Isolation Contactor		Normal Start	Long Start	
			Normal Start	Long Start	Normal Start	Long Start			
			Type	Type	Type	Type	Type	Type	
208 V	3	17	NDA8S	LDA8S	NDA8N	LDA8N	NDA8R	LDA8R	65 kA
	5	22	NEA8S	LEA8S	NEA8N	LEA8N	NEA8R	LEA8R	
	7.5	32	NFA8S	LFA8S	NFA8N	LFA8N	NFA8R	LFA8R	
	10	47	NHA8S	LHA8S	NHA8N	LHA8N	NHA8R	LHA8R	
	15	62	NIA8S	LIA8S	NIA8N	LIA8N	NIA8R	LIA8R	
	20	75	NJA8S	LJA8S	NJA8N	LJA8N	NJA8R	LJA8R	
	25	88	NKA8S	LKA8S	NKA8N	LKA8N	NKA8R	LKA8R	
	30	110	NLA8S	LLA8S	NLA8N	LLA8N	NLA8R	LLA8R	
	40	145	NMA8S	LMA8S	NMA8N	LMA8N	NMA8R	LMA8R	
	50	176	NNA8S	LNA8S	NNA8N	LNA8N	NNA8R	LNA8R	
	60	210	NOA8S	LOA8S	NOA8N	LOA8N	NOA8R	LOA8R	
	75	257	NPA8S	LPA8S	NPA8N	LPA8N	NPA8R	LPA8R	
	100	320	NQA8S	LQA8S	NQA8N	LQA8N	NQA8R	LQA8R	
125	410	NRA8S	LRA8S	NRA8N	LRA8N	NRA8R	LRA8R		
200	590	NTA8S	LTA8S	NTA8N	LTA8N	NTA8R	LTA8R		
230 V	5	17	NDA2S	LDA2S	NDA2N	LDA2N	NDA2R	LDA2R	65 kA
	7.5	22	NEA2S	LEA2S	NEA2N	LEA2N	NEA2R	LEA2R	
	10	32	NFA2S	LFA2S	NFA2N	LFA2N	NFA2R	LFA2R	
	15	47	NHA2S	LHA2S	NHA2N	LHA2N	NHA2R	LHA2R	
	20	62	NIA2S	LIA2S	NIA2N	LIA2N	NIA2R	LIA2R	
	25	75	NJA2S	LJA2S	NJA2N	LJA2N	NJA2R	LJA2R	
	30	88	NKA2S	LKA2S	NKA2N	LKA2N	NKA2R	LKA2R	
	40	110	NLA2S	LLA2S	NLA2N	LLA2N	NLA2R	LLA2R	
	50	145	NMA2S	LMA2S	NMA2N	LMA2N	NMA2R	LMA2R	
	60	176	NNA2S	LNA2S	NNA2N	LNA2N	NNA2R	LNA2R	
	75	210	NOA2S	LOA2S	NOA2N	LOA2N	NOA2R	LOA2R	
	100	257	NPA2S	LPA2S	NPA2N	LPA2N	NPA2R	LPA2R	
	125	320	NQA2S	LQA2S	NQA2N	LQA2N	NQA2R	LQA2R	
150	410	NRA2S	LRA2S	NRA2N	LRA2N	NRA2R	LRA2R		
200	590	NTA2S	LTA2S	NTA2N	LTA2N	NTA2R	LTA2R		
250	660	NUA2S	—	NUA2N	—	NUA2R	LUA2R		
460 V	10	17	NDA4S	LDA4S	NDA4N	LDA4N	NDA4R	LDA4R	65 kA
	15	22	NEA4S	LEA4S	NEA4N	LEA4N	NEA4R	LEA4R	
	20	32	NFA4S	LFA4S	NFA4N	LFA4N	NFA4R	LFA4R	
	30	47	NHA4S	LHA4S	NHA4N	LHA4N	NHA4R	LHA4R	
	40	62	NIA4S	LIA4S	NIA4N	LIA4N	NIA4R	LIA4R	
	50	75	NJA4S	LJA4S	NJA4N	LJA4N	NJA4R	LJA4R	
	60	88	NKA4S	LKA4S	NKA4N	LKA4N	NKA4R	LKA4R	
	75	110	NLA4S	LLA4S	NLA4N	LLA4N	NLA4R	LLA4R	
	100	145	NMA4S	LMA4S	NMA4N	LMA4N	NMA4R	LMA4R	
	125	176	NNA4S	LNA4S	NNA4N	LNA4N	NNA4R	LNA4R	
	150	210	NOA4S	LOA4S	NOA4N	LOA4N	NOA4R	LOA4R	
	200	257	NPA4S	LPA4S	NPA4N	LPA4N	NPA4R	LPA4R	
	250	320	NQA4S	LQA4S	NQA4N	LQA4N	NQA4R	LQA4R	
	300	410	NRA4S	LRA4S	NRA4N	LRA4N	NRA4R	LRA4R	
	350	480	NSA4S	LSA4S	NSA4N	LSA4N	NSA4R	LSA4R	
400	590	NTA4S	LTA4S	NTA4N	LTA4N	NTA4R	LTA4R		
500	660	NUA4S	—	NUA4N	—	NUA4R	LUA4R		

* Type N units are rated for 6 starts per hour, with a maximum start time of 23 seconds at 300% current limit, or equivalent. Type L units are rated for 3 starts per hour, with a maximum start time of 46 seconds at 350% current limit or equivalent. Type NU units are rated for 2 starts per hour, with a maximum start time of 15 seconds.



ALTISTART® 46 Soft Start Product Selection

Class 8639 Combination ALTISTART 46 Controllers – Circuit Breaker Disconnect

Voltage	Motor (hp)	ATS46 Rated Amps*	Non-Reversing				Reversing		Withstand Rating Type 1
			With Shunt Trip Coil		With Isolation Contactor		Normal Start	Long Start	
			Normal Start	Long Start	Normal Start	Long Start			
			Type	Type	Type	Type	Type	Type	
208 V	3	17	NDA8S	LDA8S	NDA8N	LDA8N	NDA8R	LDA8R	5,000
	5	22	NEA8S	LEA8S	NEA8N	LEA8N	NEA8R	LEA8R	5,000
	7.5	32	NFA8S	LFA8S	NFA8N	LFA8N	NFA8R	LFA8R	5,000
	10	47	NHA8S	LHA8S	NHA8N	LHA8N	NHA8R	LHA8R	5,000
	15	62	NIA8S	LIA8S	NIA8N	LIA8N	NIA8R	LIA8R	5,000
	20	75	NJA8S	LJA8S	NJA8N	LJA8N	NJA8R	LJA8R	10,000
	25	88	NKA8S	LKA8S	NKA8N	LKA8N	NKA8R	LKA8R	10,000
	30	110	NLA8S	LLA8S	NLA8N	LLA8N	NLA8R	LLA8R	10,000
	40	145	NMA8S	LMA8S	NMA8N	LMA8N	NMA8R	LMA8R	10,000
	50	176	NNA8S	LNA8S	NNA8N	LNA8N	NNA8R	LNA8R	18,000
	60	210	NOA8S	LOA8S	NOA8N	LOA8N	NOA8R	LOA8R	18,000
	75	257	NPA8S	LPA8S	NPA8N	LPA8N	NPA8R	LPA8R	18,000
	100	320	NQA8S	LQA8S	NQA8N	LQA8N	NQA8R	LQA8R	18,000
	125	410	NRA8S	LRA8S	NRA8N	LRA8N	NRA8R	LRA8R	18,000
200	590	NTA8S	LTA8S	NTA8N	LTA8N	NTA8R	LTA8R	30,000	
230 V	5	17	NDA2S	LDA2S	NDA2N	LDA2N	NDA2R	LDA2R	5,000
	7.5	22	NEA2S	LEA2S	NEA2N	LEA2N	NEA2R	LEA2R	5,000
	10	32	NFA2S	LFA2S	NFA2N	LFA2N	NFA2R	LFA2R	5,000
	15	47	NHA2S	LHA2S	NHA2N	LHA2N	NHA2R	LHA2R	5,000
	20	62	NIA2S	LIA2S	NIA2N	LIA2N	NIA2R	LIA2R	5,000
	25	75	NJA2S	LJA2S	NJA2N	LJA2N	NJA2R	LJA2R	10,000
	30	88	NKA2S	LKA2S	NKA2N	LKA2N	NKA2R	LKA2R	10,000
	40	110	NLA2S	LLA2S	NLA2N	LLA2N	NLA2R	LLA2R	10,000
	50	145	NMA2S	LMA2S	NMA2N	LMA2N	NMA2R	LMA2R	10,000
	60	176	NNA2S	LNA2S	NNA2N	LNA2N	NNA2R	LNA2R	18,000
	75	210	NOA2S	LOA2S	NOA2N	LOA2N	NOA2R	LOA2R	18,000
	100	257	NPA2S	LPA2S	NPA2N	LPA2N	NPA2R	LPA2R	18,000
	125	320	NQA2S	LQA2S	NQA2N	LQA2N	NQA2R	LQA2R	18,000
	150	410	NRA2S	LRA2S	NRA2N	LRA2N	NRA2R	LRA2R	18,000
200	590	NTA2S	LTA2S	NTA2N	LTA2N	NTA2R	LTA2R	30,000	
250	660	NUA2S	—	NUA2N	LUA2N	—	LUA2R	30,000	
460 V	10	17	NDA4S	LDA4S	NDA4N	LDA4N	NDA4R	LDA4R	5,000
	15	22	NEA4S	LEA4S	NEA4N	LEA4N	NEA4R	LEA4R	5,000
	20	32	NFA4S	LFA4S	NFA4N	LFA4N	NFA4R	LFA4R	5,000
	30	47	NHA4S	LHA4S	NHA4N	LHA4N	NHA4R	LHA4R	5,000
	40	62	NIA4S	LIA4S	NIA4N	LIA4N	NIA4R	LIA4R	5,000
	50	75	NJA4S	LJA4S	NJA4N	LJA4N	NJA4R	LJA4R	10,000
	60	88	NKA4S	LKA4S	NKA4N	LKA4N	NKA4R	LKA4R	10,000
	75	110	NLA4S	LLA4S	NLA4N	LLA4N	NLA4R	LLA4R	10,000
	100	145	NMA4S	LMA4S	NMA4N	LMA4N	NMA4R	LMA4R	10,000
	125	176	NNA4S	LNA4S	NNA4N	LNA4N	NNA4R	LNA4R	18,000
	150	210	NOA4S	LOA4S	NOA4N	LOA4N	NOA4R	LOA4R	18,000
	200	257	NPA4S	LPA4S	NPA4N	LPA4N	NPA4R	LPA4R	18,000
	250	320	NQA4S	LQA4S	NQA4N	LQA4N	NQA4R	LQA4R	18,000
	300	410	NRA4S	LRA4S	NRA4N	LRA4N	NRA4R	LRA4R	18,000
	350	480	NSA4S	LSA4S	NSA4N	LSA4N	NSA4R	LSA4R	30,000
	400	590	NTA4S	LTA4S	NTA4N	LTA4N	NTA4R	LTA4R	30,000
500	660	NUA4S	—	NUA4N	—	NUA4R	—	30,000	

* Type N units are rated for 6 starts per hour, with a maximum start time of 23 seconds at 300% current limit, or equivalent. Type L units are rated for 3 starts per hour, with a maximum start time of 46 seconds at 350% current limit or equivalent. Type NU units are rated for 2 starts per hour, with a maximum start time of 15 seconds.



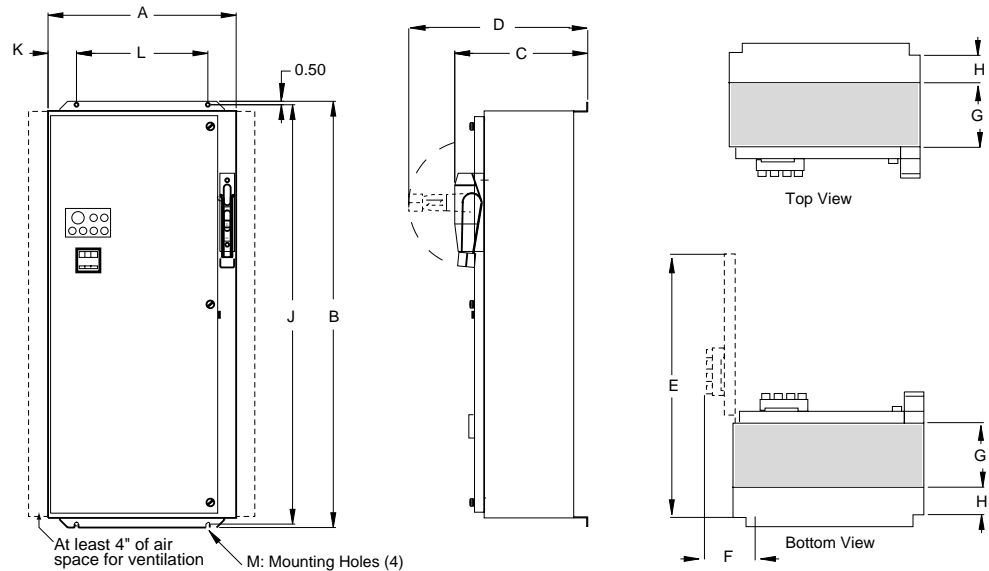
Dimensions for Enclosed Starters (Class 8636, 8638, and 8639)

Wall Mounts

Note: Shaded areas represent suggested conduit entries.

Conduit entries should not exceed the areas defined in the drawings.

This is a representation of Class 8638 and 8639 enclosed starters; Class 8636 enclosed starters are essentially similar except that they do not have a disconnect mechanism.

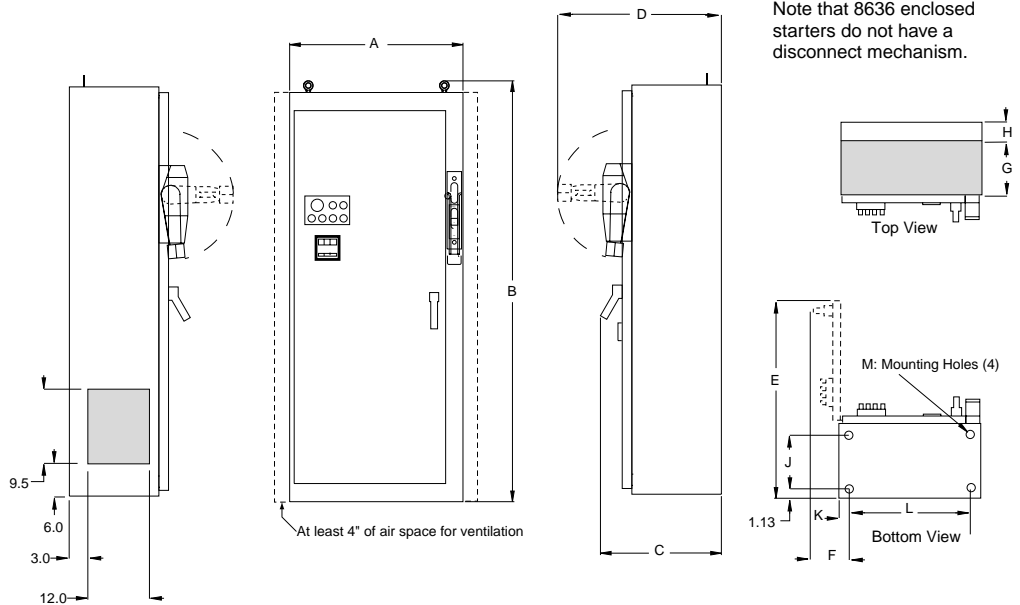


Floor Mounts

Note: Shaded areas represent suggested conduit entries.

Conduit entries should not exceed the areas defined in the drawings.

This is a representation of Class 8638 and 8639 enclosed starters; Class 8636 enclosed starters are essentially similar except that they do not have a disconnect mechanism.



Note that 8636 enclosed starters do not have a disconnect mechanism.

Class	Type		Mount	Dimensions in Inches											Weight	
	Standard Duty	Heavy Duty		A	B	C	D	E	F	G	H	J	K	L		M
8638 8639	ND-NH	LD-LF	Wall	20.15	38.53	12.70	16.09	29.18	5.28	7.82	2.18	37.53	3.08	14.00	Ø 0.437	150 lbs
	NI-NM	LH-LL	Wall	27.21	62.01	17.73	21.12	41.38	6.32	12.79	2.21	61.01	4.12	19.00	Ø 0.562	380 lbs
	NN-NQ	LM-LP	Floor	34.21	92.68	22.36	26.00	50.25	4.75	13.50	5.25	16.50	1.13	31.75	Ø 0.687	850 lbs
8636	NR-NU	LQ-LT	Floor	38.21	92.68	22.36	26.00	54.25	4.75	12.07	6.68	16.50	1.13	35.75	Ø 0.687	1090 lbs
	ND-NH	N/A	Wall	18.15	33.53	12.90	N/A	27.18	5.28	7.82	2.18	32.53	3.08	12.00	Ø 0.437	113 lbs
	NI-NM	N/A	Wall	25.21	52.01	17.96	N/A	39.38	6.32	12.79	2.21	51.01	4.12	17.00	Ø 0.562	273 lbs
	NN-NQ	N/A	Floor	32.21	75.68	22.36	21.71	48.25	4.75	13.50	5.25	16.50	1.13	29.75	Ø 0.687	651 lbs
	NR-NU	N/A	Floor	38.21	82.68	22.36	21.71	54.25	4.75	12.07	6.68	16.50	1.13	35.75	Ø 0.687	891 lbs



ALTISTART® 46 Soft Start Application Considerations

Application Considerations

Occasionally applications arise which use motors other than the standard NEMA Design B motor. Following is a brief description of some of these applications with information on how they can be used with an ATS46 controller. Contact your local Square D sales office for assistance with these and other special application requirements.

Two-Speed, Two-Winding

An ATS46 controller may be used on the line side of an electromechanical two-speed contactor to soft start a two-speed, two-winding motor in high or low speed. The ATS46 controller can also soft-start the motor in low speed only, allowing the motor to transition to high speed without soft starting.

Wye Delta

An ATS46 controller may be used on a wye delta motor when the motor is connected in delta.

Part Winding

An ATS46 controller may be used on a part winding motor by permanently connecting the two windings in parallel.

Wound Rotor

An ATS46 controller is not recommended for use with a wound rotor motor. If using an ATS46 controller on a wound rotor motor, contact the motor manufacturer for recommended starter resistance to add while starting.

Multiple Motors

An ATS46 controller may be used on a multi-motor application when all motors are operated at the same time. The current rating of the starter must be greater than or equal to the total of all the current ratings of the motors and individual overload and short circuit protection is provided for each motor.

Cascading Motors

The ATS46 controllers logic input can be configured to enable deceleration control (in addition to soft starting) for up to 264 motors that are started in sequential order. Separate overload and short circuit protection is required for each motor.

Line Contactor or Shunt Trip Breaker

Proper installation of any solid state device must have an automatic means of disconnecting the device from the line in the event of a fault condition. Specifically, for the case of solid state starters that use SCRs as the control component, there must be a method for creating an "air gap" in the event of a component failure. It is recommended that an isolation contactor or shunt-trip breaker be used to obtain this "air gap."

Power Factor Correction Capacitors

The capacitors must be located on the line side of the ATS46 controller. A separate contactor should be used to bring the capacitors on-line using the auxiliary of the shorting contactor and to switch the capacitors off when the motor is off. The maximum correction for power factor should not be more than 95%. Capacitors should not be connected directly to a motor controlled by an ATS46 controller.

2-Pole Motors

Contact the motor manufacturer before applying reduced voltage starters to 2-pole motors. The starting torque characteristics of 2-pole motors is typically below nominally rated torque through most of the starting cycle and may not allow for starting at reduced voltage.

ALTISTART® 46 Soft Start

Sample Specification for Selecting a Soft Start Product

Sample Specification for Selecting a Soft Start Product

The following is a sample specification for selecting a soft start product. It is intended to assist you in acquiring the best product for your application. This material is not copyrighted, and you may use it in whatever fashion best suits your particular needs.

Specification for Enclosed Combination Starters

Part 1 General

1.01 Scope of Work

- A. These specification requirements are for solid state reduced voltage motor controllers herein referred to as soft starts.
- B. They are for use with NEMA design B, AC motors to reduce the current in-rush as well as mechanical shocks that can result from starting or stopping a motor across the line.

1.02 Quality Assurance

- A. The soft start shall be listed by an independent testing laboratory in accordance with Electric Industrial Control Equipment Specification UL508.
- B. The soft start shall carry the CE mark for indication of compliance to low voltage and EMC directives.
- C. The manufacturer shall be a certified ISO 9002 facility.

1.03 Warranty

- A. An eighteen month warranty shall be provided on materials and workmanship from date of invoice.

Part 2 Product

2.01 General Description

- A. The soft starter shall be provided by the manufacturer in an enclosure rated as NEMA Type 12 for Industrial use.
 - 1. Enclosure shall include a door mounted digital keypad for adjusting the soft start parameters and viewing the motor, soft start and fault status without opening the enclosure door.
 - 2. Provisions shall be available for padlocking the enclosure door.
- B. The enclosed product shall be provided complete with one of the following overcurrent protective devices (OCPDs) for Type 1 short circuit protection:
 - 1. Molded case disconnect switch and in-line fuse block for RK Type power fuses from 10 to 600 A or Class L power fuses from 601 to 1600 A. Short circuit withstand rating shall be 65KArms.
 - 2. Magnetic only circuit breaker. Short circuit withstand rating shall be based on the motor horsepower as defined in UL 508.
- C. The motor must be automatically protected from solid state component failure by one of the following means:
 - 1. Shunt trip coil to trip disconnect in the event of a controller fault condition including a shorted thyristor.
 - 2. Isolation contactor that opens when the motor is stopped or when the controller detects a fault condition including a shorted thyristor.
- D. The soft start shall utilize a thyristor (SCR) bridge consisting of at least two SCRs per phase to control the starting and stopping of industry standard motors.
- E. The soft start shall provide torque control for linear acceleration without external feedback independent of motor load or type of application. The gating of the thyristors will be controlled in such a manner to ensure smooth and stable acceleration ramp.
- F. The soft start shall be controlled by a microprocessor that continuously monitors the current and controls the phasing of the SCRs. Analog control algorithms shall not be allowed.
- G. All soft start power ratings will utilize the same control module.



ALTISTART® 46 Soft Start

Sample Specification for Selecting a Soft Start Product

- H. A shorting contactor shall be supplied with soft starts rated 47 A or above in Type 12 enclosures. Protective features and deceleration control options integral to the soft start shall be available even when the shorting contactor is employed.

2.02 Motor Data

- A. The soft start shall be designed to operate a NEMA design B motor with a nameplate rating of ___horsepower, rated for ___ amp continuous at ___ volts.

2.03 Ratings

- A. The soft start shall be designed to operate in an ambient temperature 0°C to 40°C. For ambient temperatures between 40°C and 60°C, derate the current by 1.2% per °C above 40°C.
- B. Storage temperature range shall be -25°C to 70°C.
- C. Maximum relative humidity shall be 93% at 40°C, non-condensing.
- D. The soft start shall be designed to operate in altitudes up to 3300 ft. For higher altitudes, derate by 0.5% for each additional 330 ft.
- E. The soft start shall be capable of operation between -15% and +10% of nominal voltage rating
- F. The soft start shall automatically adapt for operation at 50 or 60 Hz. Frequency tolerance shall be ± 5% when starting and between +5% and -15% during steady state operation.
- G. The soft start shall be capable of supplying 300% of rated full load current for 30 seconds at maximum ambient temperature.
- H. The SCRs shall have a minimum P.I.V. rating of 1400 Vac. Lower rated SCRs with protection by MOVs are not acceptable.

2.04 Adjustments and Configurations

- A. All dialogue functions, display units, remote functions, terminal blocks, configuration switches and adjustment potentiometers shall be accessible on the front of the control module. Exposure to control circuit boards or electrical power devices during routine adjustments is prohibited.
- B. Digital indication shall provide, as a minimum, the following conditions:
 - 1. Soft start status - ready, starting/stopping, run.
 - 2. Motor status - current, torque, thermal state, power factor.
 - 3. Fault status - Motor thermal overload, starter thermal fault, phase fault, frequency fault, supply fault, locked rotor fault, motor underload, max start time exceeded, external fault, serial link fault, phase inversion, internal failure, overcurrent.
- C. The starter must be preset to the following for adjustment-free operation in most applications:
 - 1. Torque acceleration ramp of 10 seconds.
 - 2. Current limitation to 300% of the motor full load current rating.
 - 3. Class 10 overload protection.
 - 4. Motor current preset per NEC and UL tables for standard hp motors.
- D. A digital keypad shall be utilized configure the following operating parameters as required:
 - 1. Motor full load amps adjustable from 50 to 130% of the controller's rating.
 - 2. Current limitation on starting adjustable from 1.5 to 7 times rated motor current.
 - 3. Torque ramp adjustable from 1 to 60 seconds.
 - 4. Initial torque adjustable from 10 to 100% of nominal motor torque.
 - 5. Torque limit adjustable from 10 to 200% of nominal motor torque.
 - 6. Maximum start time adjustable from 10 to 999 seconds.
 - 7. Voltage boost adjustable from 50 to 100% of the nominal supply voltage.
 - 8. Selection of freewheel, soft stop or braking.
 - 9. Adjustable soft stop torque ramp time from 1 to 60 seconds.
 - 10. Threshold to change to freewheel following a soft stop from 0 to 100% of the nominal motor torque.
 - 11. Braking torque level adjustable from 0 to 100% effectiveness.



ALTISTART® 46 Soft Start

Sample Specification for Selecting a Soft Start Product

12. Selection of Class 2, 10, 10A, 15, 20, 25 or 30 motor thermal overload protection.
- E. A digital keypad shall be utilized configure the following controller parameters as required:
1. Selectable automatic reset operation.
 2. Cancellation of the torque control loop for multi-motor installations.
 3. Adjustment of the stator loss estimation for specialty motors.
 4. Assignment of controller inputs and outputs.
 5. Activation of phase reversal protection.
 6. Reset of motor thermal state.
 7. Return to factory settings.
 8. Activation of test mode for use with low power motors.
 9. Indication of elapsed time in hours of starting, running and stopping.
- F. Output relays shall provide the following status indications:
1. One form A and one form B minimum for indication of fault or control of an isolation contactor.
 2. One form A for indication that torque ramp is complete and current is below 130% motor FLA (End of start).
- G. Additional inputs and outputs shall be available to provide the following status indications:
1. One logic input for force to freewheel, indication of external fault, force to local control, control of cascading motors, or external motor overload reset.
 2. One logic output for indication of motor thermal overload pre-alarm or presence of motor current and one logic output to indicate overcurrent alarm.
 3. One analog output shall be available for 4 to 20 or 4 to 20 milliamp indication of motor current, torque, thermal state, or power factor.
- H. Relay and I/O functions listed above must be isolated with respect to common.
- #### 2.05 Protection
- A. A microprocessor controlled thermal protection system shall be included which continuously calculates the temperature-rise of the motor and soft start and provides:
1. An overload pre-alarm which indicates by relay contact that the motor has exceeded its rated temperature rise by 110%. This function shall be annunciation only.
 2. A thermal fault condition which stops the motor if the temperature-rise exceeds 120% of the motor thermal capability.
 3. An analog electronic circuit with a time-constant adjustable to the motor's thermal cooling time-constant ensuring the memorization of the thermal state even after power supply disconnection or shorting out of the power semiconductors.
- B. The soft start shall provide phase loss, phase reversal, underload, stall, and jam protection.
- C. The integral protective features shall be active even if an external shorting contactor is used to bypass the SCRs during steady state operation.
- #### 2.06 Control Options
- A. The soft start's control circuit shall be fed from the line supply and be completely independent of the power circuit and separate from the control logic.
- B. The peripheral soft start control circuitry shall be operated at 120 Vac 60 Hz from a control power transformer included within the enclosure.
- C. Operator devices shall be door mounted and shall be (*choose all that apply:*)
1. Red STOP and green START push buttons.
 2. Three position H-O-A switch which provides for manual (HAND) start or remote signal (AUTO) start from user-supplied relay contacts.
 3. Red STOP, green FORWARD, and amber REVERSE push buttons mounted on the door control island (*available with reversing starter only*).



ALTISTART® 46 Soft Start

Sample Specification for Selecting a Soft Start Product

4. Red or green RUN pilot light illuminated whenever the soft start is provided a run command and no fault condition is present.
5. Red or green OFF pilot light illuminated whenever the soft start is supplied with control power and no run command is present
6. All operator devices shall be remote-mounted using supplied 120 Vac control logic. Clearly labeled terminals shall be provided for field installation.

2.07 Shorting Contactor (standard on soft starts 47 A and above)

- A. A microprocessor shall control the operation of the shorting contactor via an output relay.
- B. The shorting contactor shall close, shorting the thyristors after the motor current is below 130% of motor FLA and voltage is below nominal voltage (indicating ramp complete), and open on a stop command to allow a deceleration ramp.
- C. Overload protection integral to the soft start shall continue to protect the motor when shorting is utilized.

Part 3 Execution

3.01 Installation

- A. The soft start shall be installed per the manufacturer's specifications with a minimum clearance of 4 inches on each side of the enclosure.
- B. A standard wiring diagram shall be included for making the appropriate electrical connections.

3.02 Start Up (option)

- A. The services of a qualified manufacturer's technical representative shall be available to install, test, and start up all soft starts furnished under this specification.

Specification for Open Style Starters

Modifications for specification of open style soft start are as follows: delete section 2.07 and replace sections 2.01 and 2.06 with the following;

2.01 General Description

- A. The soft starter shall be provided by the manufacturer in a configuration suitable for panel mounting. The component must be suitable for mounting in a pollution degree 3 environment. All power devices and components must be inaccessible during routine maintenance or set-up.
- B. The soft start shall utilize a thyristor (SCR) bridge consisting of at least two SCRs per phase to control the starting and stopping of industry standard motors.
- C. The soft start shall provide torque control for linear acceleration without external feedback independent of motor load or type of application. The gating of the thyristors will be controlled in such a manner to ensure smooth and stable acceleration ramp.
- D. The soft start shall be controlled by a microprocessor that continuously monitors the current and controls the phasing of the SCRs. Analog control algorithms shall not be allowed.
- E. All soft start power ratings will utilize the same control module.
- F. Integral protective capabilities and selectable deceleration control shall be available even if a shorting contactor is used with soft starts rated 47 A or above. Power terminals shall be provided to simplify integration shorting contactor integration without additional components.


2.06 Control Options

- A. The soft start's control circuit shall be completely independent its power circuit and adaptable to 240, 380 or 460 Vac 50 or 60 Hz.
- B. The soft start shall accept control logic either by operator devices (push buttons, selector switches, etc.) wired directly to the unit or from external relay logic.



Square D Company
Highway 64 East
Raleigh, NC 27545-9023 USA
(919) 266-3671

INTELE is a trademark of Square D Company.
UNITELWAY is a trademark and ALTISTART is a registered trademark of Telemecanique.
MODBUS and SY/MAX are registered trademarks of Schneider Automation.
WINDOWS is a registered trademark of Microsoft Corporation.

Square D and  are registered trademarks of Square D Company.

Catalog No. 8636CT9701 October 1997 © 1997 Square D All Rights Reserved.