



### Operational Functions

- Variable torque for centrifugal pumps and fans
- Digital Keypad Display
  - 6 line by 21 character back-lit LCD
  - Digital Metering of: Motor speed, Output current, Output kilowatts, Line voltage, DC bus voltage, Motor thermal heating, Status of control input devices (discrete and analog)
- NOLD adaptive motor flux control for low noise operation and improved system efficiency
- UL Listed electronic motor overload protection
- Auto restart: up to 5 times, up to 600 seconds apart
- Skip frequency avoidance: up to 3 programmable bands 2Hz or 5Hz
- Control terminal interfacing
  - 4 Digital logic inputs (isolated)
  - 2 Digital logic outputs (open collector)
  - Drive run relay: Form C contacts, 2 amps @ 120 VAC (programmable)
  - Drive fault relay: Form C contacts, 2 amps @ 120 VAC
  - 2 Analog inputs (isolated): 0 - 10VDC (speed potentiometer interface), 4 - 20ma (automatic speed reference)
  - 2 Analog outputs (isolated): 4 - 20ma (motor speed), 4 - 20ma (motor current)
- Preset Speeds: up to 4 speed points (7 with I/O expansion module)
- Pilot Light Indication
  - Ready (green LED mounted on ATV56)
  - Caution (yellow LED mounted on ATV56)
  - Fault (red LED mounted on ATV56)
- Optional 120 VAC or 24VDC I/O expansion module
- Optional PCMCIA memory card

### Specifications

Power Range	1 - 100 HP @ 460 VAC (variable torque) 1 - 75 HP @ 460 VAC (variable torque low noise) 1 - 50 HP @ 208/230VAC (variable torque) 1 - 40 HP @ 208/230VAC (variable torque low noise)
Input Voltage	460V ±15% 230V ± 15% 208V ±10%
Displacement Power Factor	0.96
Input Frequency	47.5 to 63Hz
Frequency Range	0.1 to 72Hz
Current Limit	110% for 1 minute
Efficiency	Typically greater than 96%
Enclosures	Nema Type 1 / IP30
Drive Controller Protection	Phase to Phase Phase to Ground Control power short circuit foldback

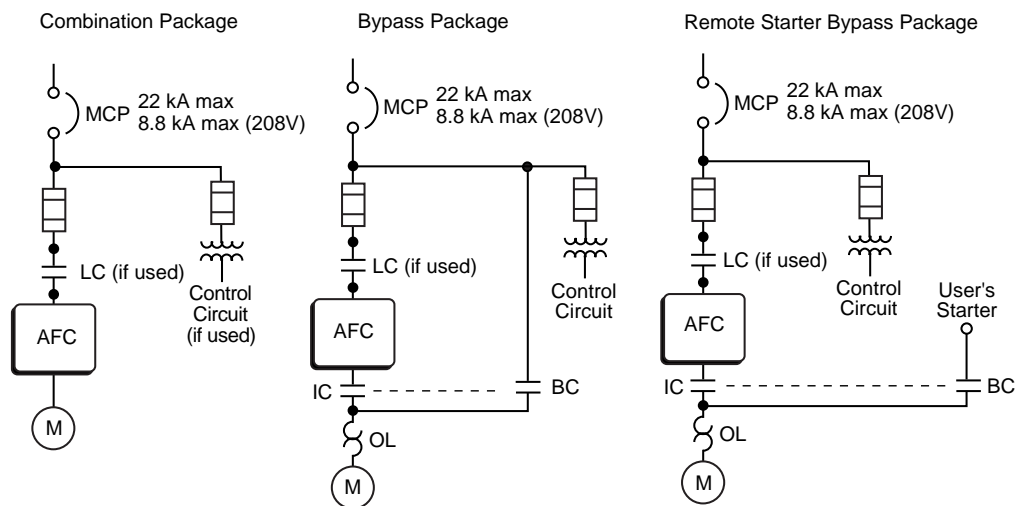
# Altivar 56 Combination Drive Specification Sheet

## Class 8839



### Specifications

Drive Controller	Altivar 56
NEC Compliance	MagGard circuit breaker disconnect 200 kAIC rated input fuses
PowerCircuit Options	Combination Package Bypass Package Remote Starter Bypass
Operator Control Options	Hand-Off-Auto selector switch Manual speed potentiometer AFC-Off-Bypass selector switch
Pilot Light Cluster Options	Power On (red LED mounted on BE/LE box) option A07 or B07 Drive Run LED mounted on BE/LE box) option A07 or B07 Drive Fault (yellow LED mounted on BE/LE box) option A07 or B07 Auto Mode (green LED mounted on BE/LE box) option B07 Bypass Run (green LED mounted on BE/LE box) option A07
Optional Line Contactor	Removes line power to drive in Bypass mode
Smoke Purge Relay Option	Provides interface for full speed operation
Freeze/Fire Stat Interlock	Interlock prevents drive or bypass operation
UL 508C listed	Meets local and national requirements
Nema Type 1 construction	Panel mounted with easy access BELE enclosure
Temperature	Operation: +32 to +104 F (0 to +40 C) Storage: -13 to 158 F (-25 to +70 C)



Horsepower	Overall Dimension
1-25Hp VT/20Hp LNVT	40.5H X 14.5W X 9.2D
40Hp VT/30Hp LNVT - 50Hp VT/40Hp LNVT	56H X 16W X 12.2D
60Hp VT/50Hp LNVT - 100Hp VT/75Hp LNVT	65H X 26W X 13D

