

*TeSys GV2 - GV3 Manual
Starters and Protectors*
A stronger, long-term connection



Simply Smart

More **ingenuity** and intelligence for continually improving **ease of use**.

GV3 P the new manual starter and protector

Renowned for extensive experience in the development of motor starter solutions, **Telemecanique®** introduces a new line of 9 A to 65 A manual starters.

Ingenuity and simplicity are the key words of this new range: thanks to its new **EverLink®** power terminals, the new range of GV3 P assures improved reliability of connections over time. **EverLink®** is designed to maintain a constant tightening force on the wire and assures a **strong, safe and long lasting connection in the most demanding environments...**

An enhanced and high performance offer

- Control and protection of motors from 9 A to 65 A.
- UL 508 Type E and IEC 947 certification (GV3 P).
- Optional ring terminal connectors.



This product is manufactured in conformity with the requirements of the RoHS (Restriction of Hazardous Substances) European Directive.

Increased security and protection

- High breaking capacity:
65 kA@480/277 wye VAC + 25 kA@600/347 wye VAC.
- 3-position, padlockable, rotary knob.
- Trip test button on front face.
- Lockable thermal adjustment settings.



Flexible and versatile design

- Flexibility using add-on blocks and front add-on blocks that are common throughout the 0 to 65 A GV2-GV3 range.
- More compact, only 55 mm wide.
- Simple and secure terminal tightening using a 4 mm or 5/32 inch Allen key.
- Easier installation on DIN rail thanks to a metal locking mechanism.
- Clean wiring and space saving thanks to wire channel for control cable connection.

EverLink®: a strong, long lasting power connection

EverLink®, the new patented terminal technology, assures a **long lasting tightening quality** of the wire conductors. Even in the event of conductor migration*, the connection force on the wire is assured due to the spring effect of the power connectors.

The advantages of the EverLink® connection are:

- Reduced maintenance time, due to constant pressure being applied to the wire.
- Secure connections, provided by the screw and the 4 mm Allen key which enables a high tightening torque (11 pounds per inch)
- Fingersafe construction provides IP20 protection against accidental contact.

**Migration: deformation of the copper conductors over time leading to loss of tightness*



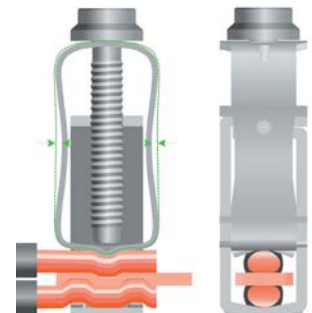
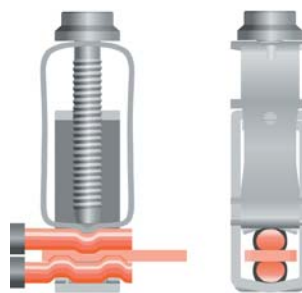
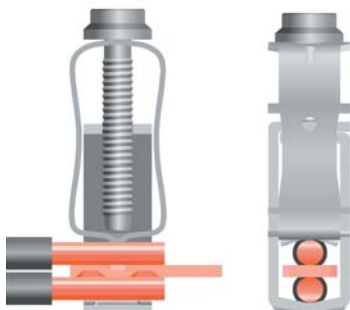
 **EverLink®**
Long lasting connection quality

A Schneider Electric patented technology

Possible to connect two wires of different sizes.

Maintaining of a tight wire connection is assured by pressure of spring and crimping of conductor on the contact plate.

The spring compensates for wire strand migration. A secure connection is assured.



Telemecanique manual starters and protectors

TeSys GV2 / GV3

GV2 ME GV2 P



TeSys GV2

Push button control (GV2 ME), rotary knob control (GV2 P)

Maximum horsepower ratings (1Ø)	115 V	hp	–		–		–		–	
	Breaking capacity	kaic	30-50	30-50	30-50	30-50	30-50	30-50	30-50	30-50
	230 V	hp	–		–		–		–	
Maximum horsepower ratings (3Ø)	200 V	hp	–		–		–		–	
	Breaking capacity	kaic	30-50	30-50	30-50	30-50	30-50	30-50	30-50	30-50
	230 V	hp	–		–		–		–	
	Breaking capacity	kaic	30-50	30-50	30-50	30-50	30-50	30-50	30-50	30-50
	460 V	hp	–		–		–		–	
	Breaking capacity	kaic	30-50	30-50	30-50	30-50	30-50	30-50	30-50	30-50
	575 V	hp	–		–		–		–	
Breaking capacity	kaic	30-50	30-50	30-50	30-50	30-50	30-50	30-50	30-50	
Setting range of thermal trips (A)			0.11-0.16		0.16-0.25		0.25-0.40		0.40-0.63	
Group motor applications (Max. Fuse or circuit breaker)			1200 A		1200 A		1200 A		1200 A	
Manual starter and protector with screw terminals			GV2ME01▼	GV2 P01	GV2ME02▼	GV2 P02	GV2ME03▼	GV2 P03	GV2ME04▼	GV2 P04
Manual starter and protector with spring terminals										
Manual starter and protector with ring terminals										

▼ For spring terminals add 3 to the catalog number, for example, GV2ME013. GV2ME32 is not available with spring terminals.



TeSys GV7

Toggle operator

Maximum horsepower ratings (1Ø)	115 V	hp	–		–		–		–	
	Breaking capacity	kaic	25-35	65	25-35	65	25-35	65	25-35	65
	230 V	hp	–		–		–		–	
Maximum horsepower ratings (3Ø)	200 V	hp	–		–		–		–	
	Breaking capacity	kaic	25-35	65	25-35	65	25-35	65	25-35	65
	230 V	hp	5		7.5		10		15	
	Breaking capacity	kaic	25-35	65	25-35	65	25-35	65	25-35	65
	460 V	hp	10		15		30		30	
	Breaking capacity	kaic	25-35	65	25-35	65	25-35	65	25-35	65
	575 V	hp	15		20		30		40	
Breaking capacity	kaic	25-35	65	25-35	65	25-35	65	25-35	65	
Setting range of thermal trips (A)			12-20		15-25		25-40		30-50	
Manual starter and protector with screw terminals			GV7RE20	GV7RS20	GV7RE25	GV7RS25	GV7RE40	GV7RS40	GV7RE50	GV7RS50



GV3 P



NEW

TeSys GV3

Rotary knob control

Maximum horsepower ratings (1Ø)	115 V	hp	1
	Breaking capacity	kaic	65
Maximum horsepower ratings (3Ø)	230 V	hp	2
	Breaking capacity	kaic	65
Maximum horsepower ratings (1Ø)	200 V	hp	3
	Breaking capacity	kaic	65
Maximum horsepower ratings (3Ø)	230 V	hp	3
	Breaking capacity	kaic	65
Maximum horsepower ratings (1Ø)	460 V	hp	7.5
	Breaking capacity	kaic	65
Maximum horsepower ratings (3Ø)	575 V	hp	10
	Breaking capacity	kaic	65

Setting range of thermal trips (A) 9-13

Group motor applications (Max. Fuse or circuit breaker per NEC 430) -

Manual starter and protector with screw terminals	GV3 P13
Manual starter and protector with spring terminals	
Manual starter and protector with ring terminals	

-	-	-	-	-	-	0.125	0.25	0.5			
30-50	30-50	30-50	30-50	30-50	30-50	30-50	30-50	30-50			
-	-	0.1	-	0.667	-	0.333	0.5	1.5			
30-50	30-50	30-50	30-50	30-50	30-50	30-50	30-50	30-50			
-	-	-	-	0.5	-	0.75	1.5	2			
30-50	30-50	30-50	30-50	30-50	30-50	30-50	30-50	30-50			
-	-	-	-	0.5	-	1	1.5	3			
30-50	30-50	30-50	30-50	30-50	30-50	30-50	30-50	30-50			
0.5	-	0.75	-	1	-	2	3	5			
30-50	30-50	30-50	30-50	30-50	30-50	30-50	30-50	30-50			
0.5	-	1	-	1.5	-	3	5	7.5			
30-50	30-50	30-50	30-50	30-50	30-50	30-50	30-50	30-50			
0.63-1	-	1-1.6	-	1.6-2.5	-	2.5-4	4-6.3	6-10			
1200 A	-	1200 A	-	1200 A	-	1200 A	1200 A	1200 A			
GV2ME05▼	GV2 P05	GV2ME06▼	GV2 P06	GV2ME07▼	GV2 P07	GV2ME08▼	GV2 P08	GV2ME10▼	GV2 P10	GV2ME14▼	GV2 P14

GV3ME to GV3P cross reference table

GV3ME	Ratings	GV3P	Ratings
GV3ME06	1...1.6 A	GV2P06	1...1.6 A
GV3ME07	1.6...2.5 A	GV2P	1.6...2.5 A
GV3ME08	2.5...4 A	GV2P	2.5...4 A
GV3ME10	4...6 A	GV2P	4...6 A
GV3ME14	6...10 A	GV2P	6...10 A
GV3ME20	10...16 A	GV3P	10...16 A
GV3ME20	10...16 A	GV3P	10...16 A
GV3ME25	16...25 A	GV3P	16...25 A
GV3ME40	25...40 A	GV3P	25...40 A
GV3ME40	25...40 A	GV3P	25...40 A
GV3ME63	40...63 A	GV3P	40...63 A
GV3ME63	40...63 A	GV3P	40...63 A

-	-	-	-	-	-
25-35	65	25-35	65	25-35	65
-	-	-	-	-	-
25-35	65	25-35	65	25-35	65
-	-	-	-	-	-
25-35	65	25-35	65	25-35	65
30	-	30	-	50	75
25-35	65	25-35	65	25-35	65
60	-	75	-	100	150
25-35	65	25-35	65	25-35	65
75	-	100	-	150	200
25-35	65	25-35	65	25-35	65
48-80	-	60-100	-	90-150	132-220
GV7RE80	GV7RS80	GV7RE100	GV7RS100	GV7RE150	GV7RS150
				GV7RE220	GV7RS220

1		2		2		3		3		3	
-	65	-	65	-	65	-	65	-	65	-	65
3		3		5		5		7.5		10	
-	65	-	65	-	65	-	65	-	65	-	65
5		7.5		10		10		15		20	
-	65	-	65	-	65	-	65	-	65	-	65
5		7.5		10		10		15		20	
-	65	-	65	-	65	-	65	-	65	-	65
10		15		20		30		40		50	
-	65	-	65	-	65	-	65	-	65	-	65
15		20		30		30		40		50	
-	65	-	65	-	65	-	65	-	65	-	65
12-18		17-25		23-32		30-40		37-50		48-65	
-		-		-		-		-		-	
-	GV3 P18	-	GV3 P25	-	GV3 P32	-	GV3 P40	-	GV3 P50	-	GV3 P65

0.75		1		1.5		2		2	
10-25	18-50	10-25	18-50	10	18-50	10	18-50	10	18-50
2		3		3		3		5	
10-25	18-50	10-25	18-50	10	18-50	10	18-50	10	18-50
3		5		5		5		10	
10-25	18-50	10-25	18-50	10	18-50	10	18-50	10	18-50
3		5		7.5		7.5		10	
10-25	18-50	10-25	18-50	10	18-50	10	18-50	10	18-50
10		10		15		15		20	
10-25	18-50	10-25	18-50	10	18-50	10	18-50	10	18-50
10		15		20		20		30	
10-25	18-50	10-25	18-50	10	18-50	10	18-50	10	18-50
9-14		13-18		17-23		20-25		24-32	
1200 A		1200 A		1200 A		1200 A		1200 A	
GV2ME16▼	GV2 P16	GV2ME20▼	GV2 P20	GV2ME21▼	GV2 P21	GV2ME22▼	GV2 P22	GV2ME32	-



//// Add-on blocks common to TeSys GV2-GV3

GV2-GV3

CONTACT BLOCKS


Instantaneous auxiliary contacts		N/O or N/C	N/O + N/C	N/O + N/O
Mounting position	Left-hand side	-	GVAN11 ⁽¹⁾	GVAN20 ⁽¹⁾
	Front	GVAE1	GVAE11 ⁽¹⁾	GVAE20 ⁽¹⁾

(1) For spring terminal version add 3 to the end of the reference, example: GVAN11 becomes GVAN113

Fault contact + instantaneous auxiliary contact		N/O (fault) + N/C	N/O (fault) + N/O	N/C (fault) + N/C	N/C (fault) + N/O
Mounting position	Left-hand side	GVAD1001	GVAD1010	GVAD0101	GVAD0110

Short-circuit signalling contact		C/O with form C contact
Mounting position	Left-hand side	GVAM11

ELECTRIC TRIPS

Type of trip		Undervoltage trip		Shunt trip		
Mounting position	Right-hand side	Voltage	50 Hz	60 Hz	50 Hz	60 Hz
		24 V	GVAU025	GVAU026	GVAS025	GVAS026
		48 V	GVAU055	GVAU056	GVAS055	GVAS056
		100 V	GVAU107	-	GVAS107	-
		100...120 V	-	GVAU107	-	GVAS107
		110...115 V	GVAU115	GVAU116	GVAS115	GVAS116
		120...127 V	GVAU125	-	GVAS125	-
		127 V	-	GVAU115	-	GVAS115
		200 V	GVAU207	-	GVAS207	-
		200...220 V	-	GVAU207	-	GVAS207
		220...240 V	GVAU225	GVAU226	GVAS225	GVAS226
		380...400 V	GVAU385	GVAU386	GVAS385	GVAS386
		415...440 V	GVAU415	-	GVAS415	-
		415 V	-	GVAU416	-	GVAS416

PADLOCKING DEVICE

For up to 4 padlocks	(not included) Ø 6 mm shank max.
GV2ME/P - GV3 P	GV2V03

//// TeSys GV2 add-on blocks and accessories

GV2

COMBINATION BLOCKS

For mounting on contactors	LC1K or LP1K	LC1D09...D38	LAD31 AND LC1D09...D38
	GV2AF01	GV2AF3	GV2AF4

SET OF 3-POLE 63 A BUSBARS

Number of combined circuit-breakers	2	3	4	5	
Bus bar spacing ⁽¹⁾	45 mm centers	GV2G245	GV2G345	GV2G445	GV2G545
	54 mm	GV2G254	GV2G354	GV2G454	GV2G554
	72 mm	GV2G272	-	GV2G472	-

(1) Protective end cover for unused busbar outlets, reference: GV1G10

TERMINAL BLOCKS

For supply to one or more busbar sets	Connection from the top	For current limiter GV1L3
	GV2G09	GV2G05

PADLOCKABLE EXTERNAL OPERATOR

Colour of operator	Black handle/blue legend plate	Red handle/yellow legend plate
GV2 P Padlocking	In "ON" and "OFF" position In "OFF" position	GV2AP01 -
		GV2AP02

//// TeSys GV3 add-on blocks and accessories

GV3

CONTACT BLOCKS

Fault contact + instantaneous auxiliary contact		N/O (fault) + N/C	N/O (fault) + N/O
Mounting position	Front	GVAED011 ⁽¹⁾	GVAED101 ⁽¹⁾

(1) For spring terminal version add 3 to the end of the reference, example: GVAED011 becomes GVAED0113

SET OF 3-POLE 115 A BUSBARS

Number of combined manual starters and protectors	3
Bus bar spacing	64 mm centers
	GV3G364

TERMINAL BLOCKS

Type of terminals	Line side insulator for UL 508 E applications	IP20 cover for lug type terminals
GV3 P	GV3G66	LAD96570

The efficiency of Telemecanique branded solutions

When combined, Telemecanique products offer quality solutions for all Automation and Control functions of your applications.



A worldwide presence

Schneider Electric is a global supplier of electrical distribution, automation and control equipment products under the brand names of Square D®, Telemecanique® and Merlin Gerin®. Backed by a global organization of 90,000 employees in 190 countries, Schneider Electric is a global electrical industry leader. With one of the strongest distribution networks in the U.S. and around the world, you can count on Schneider Electric to keep your business running smoothly and efficiently.

Technical assistance wherever you are

- Our technicians are available to assist you in finding the optimum solution for your needs.
- Schneider Electric provides you with all necessary technical assistance, throughout the world.

www.us.telemecanique.com

Simply Smart!

Schneider Electric - North American Operating Division

1415 S. Roselle Road
Palatine, IL 60067
Tel: 847-397-2600
Fax: 847-925-7500
www.us.telemecanique.com