

# Related Equipment: Motor Operated Auto Drain Series ADM200

## Reliably discharges even highly viscous drain

- Highly resistant to dust and highly viscous drain, the valve opens and closes reliably to discharge the drain.

## High drain discharge capacity

- With a large discharge port, a large amount of drain can be discharged in a single operation.
- Elimination of residual drain inside the tank and pipes prevents the generation of foreign matter such as dried rust or drain, which could adversely affect the equipment located on the outlet side.

## Low power consumption: 4 W

- A long pipe can also be connected to the discharge port.
- Can be connected directly to a compressor.



## Model/Specifications

Model	ADM200-□□-□
Fluid	Air
Max. operating pressure	1.0 MPa
Proof pressure	1.5 MPa
Ambient and fluid temperature	-5 to 60°C (No freezing)
Operating cycle*	1 time in a minute (Standard)
Operating time	2 sec./time (Standard)
Power source	100, 200 VAC 50/60Hz, Other
Power consumption	4 W
Port size	IN: 3/8, 1/2
	OUT: 3/8
Mass	550 g

\* If the operating cycle is twice in a minute (operating time 2 sec. x 2) operating time is 4 sec. each minute.

## ⚠ Specific Product Precautions

Be sure to read before handling.

Refer to front matters 42 and 43 for Safety Instructions and pages 6 to 8 for Air Preparation Equipment Precautions.

### Mounting

#### ⚠ Warning

1. Install this product after discharging the drainage that has already accumulated in the tank. Otherwise, it could lead to malfunction.
2. Install this product, so that the drain port could face downwards. Otherwise, it could lead to malfunction.

#### ⚠ Caution

Provide a stop valve before the ADM200 to facilitate maintenance and inspection.

### Piping

#### ⚠ Warning

Piping should be done under the following conditions in order to prevent malfunction. For drain piping, use a pipe whose I.D. is not less than ø5 and length not more than 5 m. Avoid riser piping.

### Maintenance

#### ⚠ Caution

If the valve becomes clogged with debris, press the manual button to flush out the debris. Otherwise, it could lead to malfunction.

## How to Order

ADM200 - □ 03 1 - □

#### Thread type

Nil	Rc
N	NPT
F	G

#### Port size

Symbol	IN	OUT
03	3/8	3/8
04	1/2	3/8

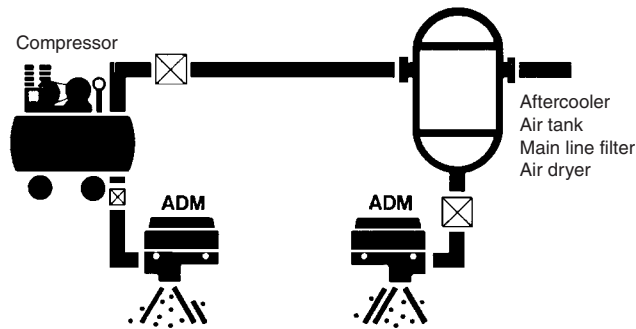
#### Operating time/Applicable compressor

Nil	2 sec/min (1 time/min) /3.7 to 37 kW
4	4 sec/min (2 times/min) /37 to 75 kW
6	6 sec/min (3 times/min) /75 to 110 kW
8	8 sec/min (4 times/min) /220 to 370 kW

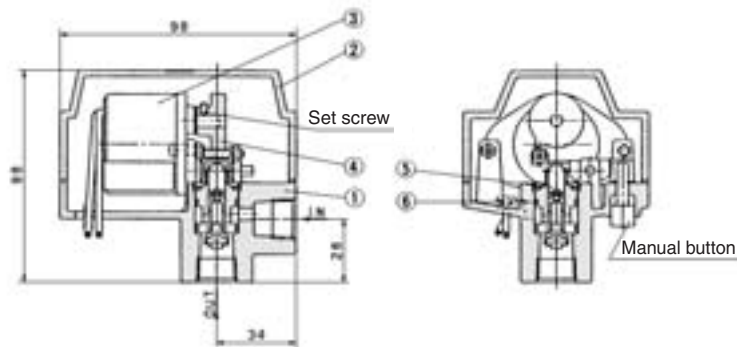
#### Voltage

1	100 VAC 50/60 Hz
2	200 VAC 50/60 Hz
3	240 VAC 50/60 Hz
4	110 VAC 50/60 Hz
5	220 VAC 50/60 Hz
6	24 VDC
7	12 VDC

## Mounting Example



## Construction/Dimensions



### Component Parts

No.	Description	Material	Note
1	<b>Body</b>	Aluminum die-casted	Chrome treated
2	<b>Cap</b>	Aluminum die-casted	Chrome treated

### Replacement Parts

No.	Description	Material	Part no.
3 <sup>Note)</sup>	<b>Motor</b>	—	812PG-voltage
4	<b>Cam</b>	Cast steel	Operating time 201324 (Nil) 201325 (4) 201326 (6) 201327 (8)
5	<b>Valve assembly</b>	Brass, NBR	20137-1A
6	<b>O-ring</b>	NBR	S-16

Note) Motor part no. in the case of 100 VAC: 812PG-AC100V

HAA  
HAW

AT

IDF  
IDU

IDFA

IDFB

ID

IDG

AMG

AFF

AM

AMD

AMH

AME

AMF

SF

SFD

LLB

AD□

GD