

# Air Tank Series AT



JIS Symbol



## ⚠ Precautions

Be sure to read before handling. Refer to front matters 42 and 43 for Safety Instructions and pages 6 to 8 for Air Preparation Equipment Precautions.

### Caution on Design

#### ⚠ Caution

- Use outside Japan is not allowed.**  
The AT series air tank is in compliance with the regulations in Japan (Class 2 Pressure Vessel), but is not in compliance with related regulations outside Japan. (This is also applicable when the series is used as a unit.) Please consult with SMC for use of air tanks outside Japan.
- Use a pressure gauge below 50°C.**  
The Max. operating temperature of the standard accessory Pressure gauge is 50°C. If temperature of the air tank exceeds 50°C, provide a heat radiator (i.e. pipe siphon, etc.) between the tank and the pressure gauge.
- Please keep the Class 2 Pressure Vessel Certificate in a safe place.**  
The AT series is in compliance with the regulations in Japan (Class 2 Pressure Vessel). The Class 2 Pressure Vessel Certificate will be sent in 2 to 4 weeks after the product is shipped. Please keep it in a safe place.
- The inner surface of the air tank is not coated.**  
When the rust of the inner surface is not acceptable, the coated type, special anti-corrosive treatment type or stainless steel type is available as special order. Please consult SMC.
- When used in the main line air supply as in the air preparation equipment model selection guide (page 2 and 3), a filter is installed downstream.** Reconfirm the filter installation according to need, even when used in the operating line.
- The horizontal type, change in the port size or the position are available as special order.** Please consult SMC.

## Model/Standard Specifications

Model	AT6C	AT11C	AT22C	AT37C	AT55C	AT75C	AT125C	AT150C <sup>(1)</sup>	AT220C <sup>(1)</sup>	
<b>Fluid</b>	Compressed air									
<b>Tank capacity (ℓ)</b>	100	200	400	500	700	1000	1500	2000	3000	
<b>Max. operating pressure (MPa)</b>	0.97									
<b>Port size</b>	Rc 1/2	Rc 3/4	Rc 1 1/2	2B flange <sup>(2)</sup>		3B flange <sup>(2)</sup>	4B flange <sup>(2)</sup>			
<b>Set pressure for safety valve (MPa)</b>	0.97									
<b>Proof pressure (Under water pressure) (MPa)</b>	1.46									
<b>Fluid temperature (°C)</b>	0 to 100									
<b>Material</b>	Steel plate (SS400, SM490B)									
<b>Mass (kg)</b>	55	105	170	195	265	385	495	770	960	
<b>Coating color</b>	Surface: Munsell N-5.5, Inner surface: Non coated									
<b>Accessory<sup>(3)</sup></b>	<b>Safety valve (1 pc.)</b>	R 1/2	R 3/4	R 1	R 1 1/4		R 2			
	<b>Valve for drainage (1 pc.)</b>	Rc 1/2								
	<b>Pressure gauge (1 pc.)</b>	R 3/8 x ø100								
	<b>L type anchor bolt (4 pcs.)</b>	M16 x ℓ250			M16 x ℓ300			M16 x ℓ500	M24 x ℓ500	

Note 1) Manufactured upon receipt of order

Note 2) JISB2220 (JIS 10K FF flange)

Note 3) The accessories should be mounted by user.

## Accessory (Option)

Model	Auto drain	Companion flange
AT6C	AD402-04	—
AT11C		—
AT22C		—
AT37C		—
AT55C		2 <sup>B</sup> JIS 10K FF flange
AT75C		3 <sup>B</sup> JIS 10K FF flange
AT125C		4 <sup>B</sup> JIS 10K FF flange
AT150C		
AT220C		

## Replacement Part

Model	Pressure gauge
AT6C	AT-SA001
AT11C	
AT22C	
AT37C	
AT55C	
AT75C	
AT125C	
AT150C	
AT220C	

(Note) The accessories should be mounted by user. (Order with the part number.)

## How to Order

AT 22C - 14

### Tank capacity

Symbol	Applicable compressor (kW)	Capacity (ℓ)
6C	5.5	100
11C	11	200
22C	22	400
37C	37	500
55C	55	700
75C	75	1000
125C	125	1500
150C	150	2000
220C	220	3000

### Accessory (Option)

Symbol	Description
Nil	—
D	With auto drain
F	Companion flange

### Port size

Symbol	Size	Applicable model
04	Rc 1/2	AT6C
06	Rc 3/4	AT11C
14	Rc 1 1/2	AT22C, 37C
20	2 <sup>B</sup> JIS 10K FF flange	AT55C, 75C
30	3 <sup>B</sup> JIS 10K FF flange	AT125C
40	4 <sup>B</sup> JIS 10K FF flange	AT150C, 220C

## Related Product

Refer to page 748 for details.

This is a small capacity air tank to which a booster valve can be connected directly in a compact manner. It is not compatible with the Class 2 Pressure Vessel requirement. The air tank can be used as a single unit.

Model	VBAT05A	VBAT10A	VBAT20A	VBAT38A
Tank capacity (ℓ)	5	10	20	38

#### ⚠ Caution

When used as a single unit and pressurized at over 1 MPa at normal temperatures (the booster valve is not connected), the air tank falls under the scope of the "High Pressure Gas Safety Act" in Japan.



VBAT05A



VBAT38A

HAA  
HAW

AT

IDF  
IDU

IDFA

IDFB

ID

IDG

AMG

AFF

AM

AMD

AMH

AME

AMF

SF

SFD

LLB

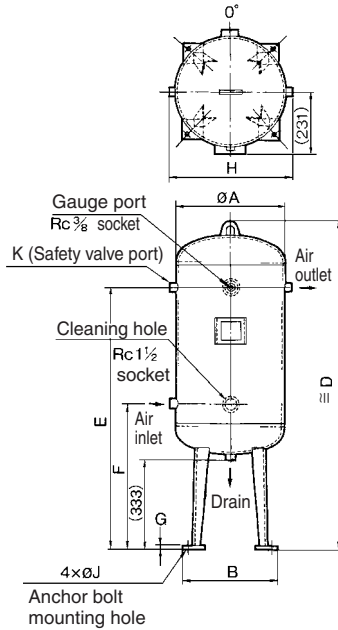
AD□

GD

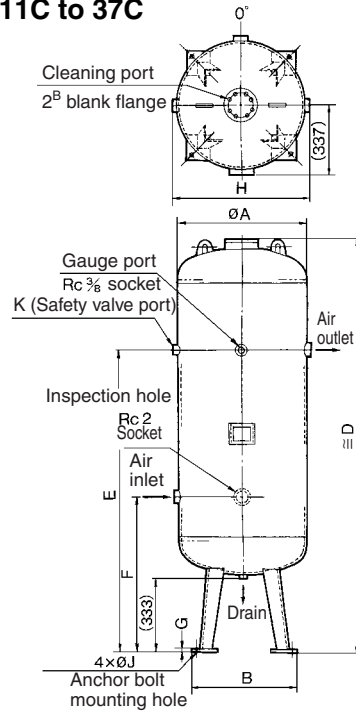
# Series AT

## Dimensions

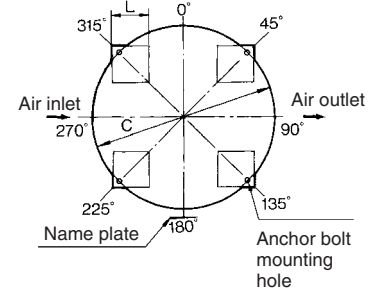
### AT6C



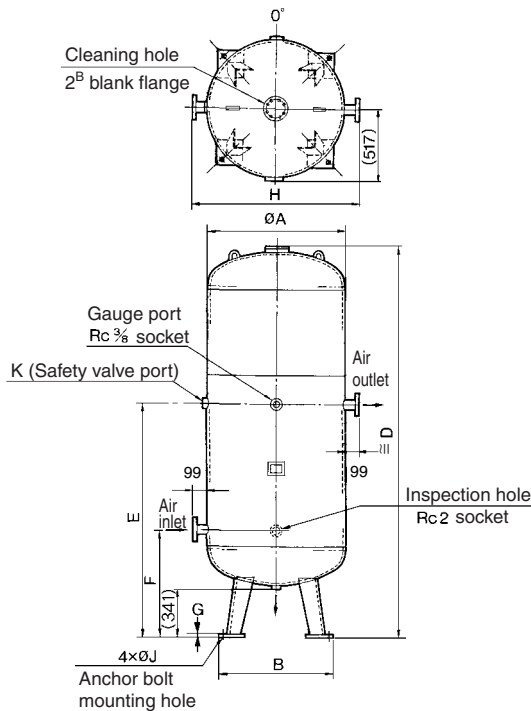
### AT11C to 37C



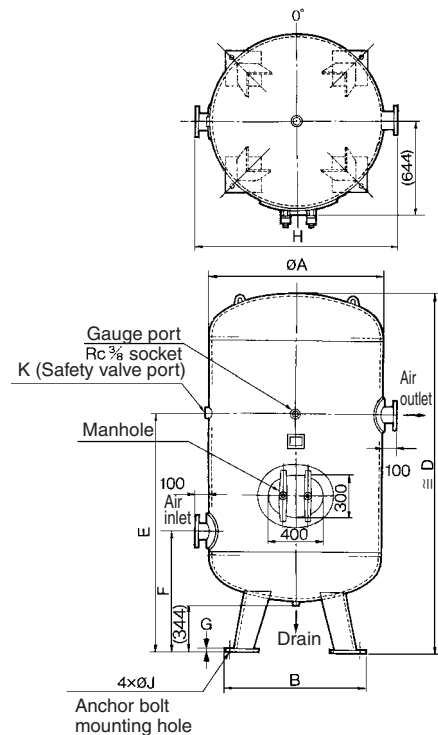
### ORIENTATION (Nozzle direction) AT6C to 220C



### AT55C to 125C



### AT150C/220C



Model	Air connection		ØA	B	ØC	D	E	F	G	H	ØJ	K	L	Anchor bolt
	Socket	Flange												
AT6C	Rc 1/2	—	408.4	361	440	1268	1000	550	6	460	19	Rc 1/2	80	M16 x l250
AT11C	Rc 3/4	—	611	510	650	1256	945	645	9	665	19	Rc 3/4	110	M16 x l250
AT22C	Rc 1 1/2	—	611	510	650	1976	1340	740	9	693	19	Rc 1 1/4	110	M16 x l250
AT37C	Rc 1 1/2	—	611	510	650	2276	1340	740	9	693	19	Rc 1 1/4	110	M16 x l300
AT55C	—	2 <sup>B</sup> JIS 10K FF flange	964	824	1080	1549	1100	750	12	1162	19	Rc 1 1/2	180	M16 x l300
AT75C	—	2 <sup>B</sup> JIS 10K FF flange	964	824	1080	2159	1550	750	12	1162	19	Rc 1 1/2	180	M16 x l300
AT125C	—	3 <sup>B</sup> JIS 10K FF flange	964	824	1080	2770	1650	750	12	1162	19	Rc 2	180	M16 x l500
AT150C	—	4 <sup>B</sup> JIS 10K FF flange	1216	1019	1300	2558	1700	850	16	1416	27	Rc 2	260	M24 x l500
AT220C	—	4 <sup>B</sup> JIS 10K FF flange	1216	1019	1300	3288	1700	850	16	1416	27	Rc 2	260	M24 x l500