

# Compressed Air Cleaning Filter Series

## Made to Order/Special Specifications



Please consult with SMC for detailed specifications, size and delivery.

### Made to Order

Contents	Symbol	Applicable model							Reference page
		AFF	AM	AMD	AME	AMF	AMG	AMH	
1. With Differential Pressure Gauge (GD40-2-01)	X6	●	●	●	—	—	—	●	P.211
2. With Differential Pressure Switch (With Indicator)	X37	●	●	●	—	—	—	●	
3. With IN-OUT Flange	X15	●	●	●	—	—	●	●	P.212
4. With Pressure Differential Gauge (GD40-2-01), IN-OUT Flange	X17	●	●	●	—	—	—	●	
5. N.C., N.O. Auto Drain, Drain Piping Type	X26	●	●	●	—	—	●	●	P.213
6. White Vaseline Specifications	X12	●	●	●	●	●	●	●	
7. Mist Separator for High Flow Rate (0.3 μm)	X13	●	—	—	—	—	—	—	P.214

### Special Specifications

Contents	Applicable model							Reference page
	AFF	AM	AMD	AME	AMF	AMG	AMH	
Clean Series (10-Series)	●	●	●	●	●	—	●	P.215
Copper-free, Fluorine-free (20-Series)	●	●	—	—	—	●	—	

# Compressed Air Cleaning Filter Series

# Made to Order Specifications 1



Please consult with SMC for detailed specifications, size and delivery.

## 1. With Differential Pressure Gauge (GD40-2-01)

A differential pressure gauge that keeps track of the filter life is installed on the filter itself. This facilitates piping and achieves a compact design.

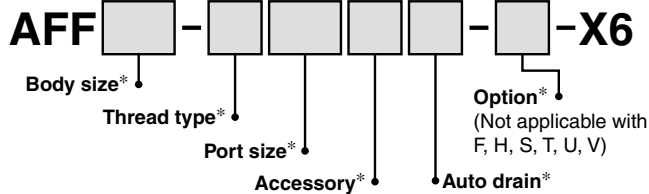
### Specifications

Applicable model	<b>AFF2C to 22C, 37B, 75B</b>
------------------	-------------------------------

### How to Order



\* Refer to "How to Order" for standard specifications.



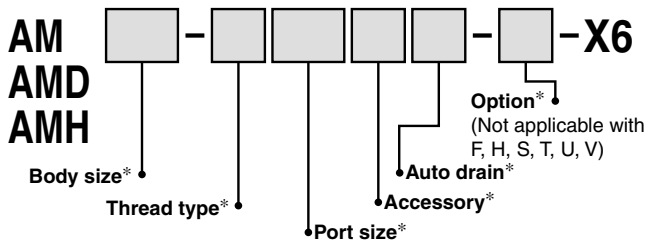
### Specifications

Applicable model	<b>AM150C to 550C, 650, 850, AMD150C to 550C, 650, 850, AMH150C to 550C, 650, 850</b>
------------------	---

### How to Order

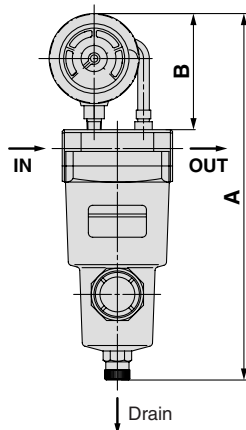


\* Refer to "How to Order" for standard specifications.



- Note) • The AMG series is not applicable since water drops could ingress inside its differential pressure gauge, resulting in malfunction or damage to the product.  
• Cannot be mounted to the AME and AMF series. (It affects the cleanliness at the outlet.)

### Dimensions



Series AFF	Series AM, AMD, AMH	Port size	A	B
Size	Size			
<b>2C</b>	<b>150C</b>	1/8, 1/4	239	80
<b>4C</b>	<b>250C</b>	1/4, 3/8	252	80
<b>8C</b>	<b>350C</b>	3/8, 1/2	284	80
<b>11C</b>	<b>450C</b>	1/2, 3/4	305	80
<b>22C</b>	<b>550C</b>	3/4, 1	339	80
<b>37B</b>	<b>650</b>	1, 1 1/2	391	80
<b>75B</b>	<b>850</b>	1 1/2, 2	541	80

## 2. With Differential Pressure Switch (With indicator) (125 VAC, 30 VDC)

Allows visual confirmation of differential pressure which indicates the element life. The built-in contact enables remote control.

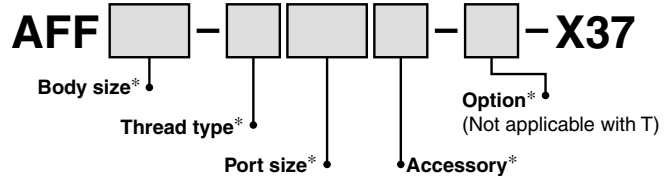
### Specifications

Applicable model	<b>AFF37B, 75B</b>
------------------	--------------------

### How to Order



\* Refer to "How to Order" for standard specifications.



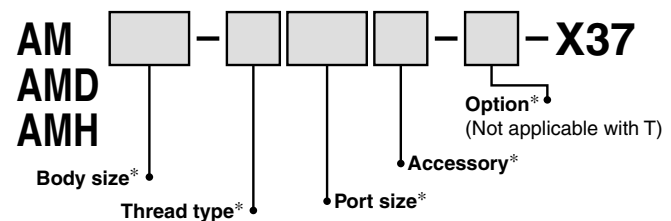
### Specifications

Applicable model	<b>AM650, 850, AMD650, 850, AMH650, 850</b>
------------------	---

### How to Order

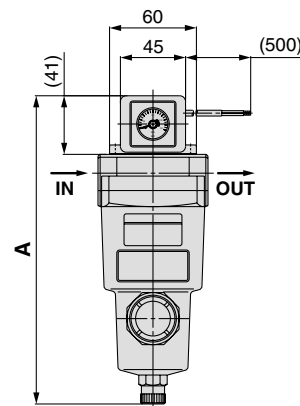


\* Refer to "How to Order" for standard specifications.



- Note) • The AMG series is not applicable since water drops could ingress inside its differential pressure gauge, resulting in malfunction or damage to the product.

### Dimensions



Series AFF	Series AM, AMD, AMH	Port size	A
Size	Size		
<b>37B</b>	<b>650</b>	1, 1 1/2	352
<b>75B</b>	<b>850</b>	1 1/2, 2	501

HAA  
HAW

AT

IDF  
IDU

IDFA

IDFB

ID

IDG

AMG

AFF

AM

AMD

AMH

AME

AMF

SF

SFD

LLB

AD

GD

# Compressed Air Cleaning Filter Series

# Made to Order Specifications 2



Please consult with SMC for detailed specifications, size and delivery.

### 3. With IN-OUT Flange

Makes flange piping easier when filter ports on IN and OUT are flange connection. (Flange material: Carbon steel)

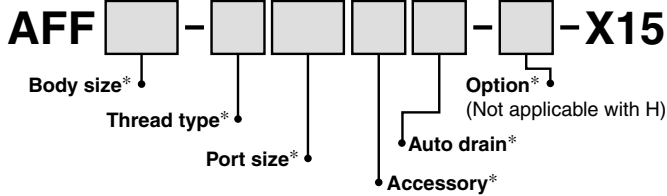
#### Specifications

Applicable model	<b>AFF11C, 22C, 37B, 75B</b>
------------------	------------------------------

#### How to Order



\* Refer to "How to Order" for standard specifications.



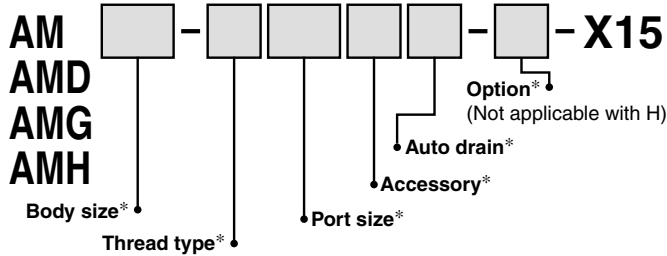
#### Specifications

Applicable model	<b>AM450C, 550C, 650, 850, AMD450C, 550C, 650, 850, AMH450C, 550C, 650, 850, AMG450C, 550C, 650, 850</b>
------------------	--

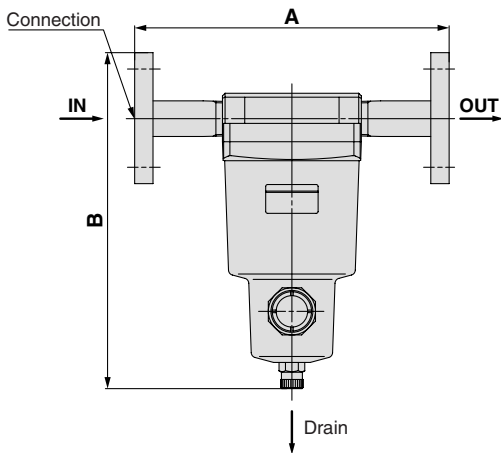
#### How to Order



\* Refer to "How to Order" for standard specifications.



### Dimensions



Series AFF	Series AM, AMD, AMG, AMH	Connection	A		B	
Size	Size		(mm)		(mm)	
<b>11C</b>	<b>450C</b>	15 (1/2B), 20 (3/4B), 25 (1B) JIS 10K FF flange	240	255		
<b>22C</b>	<b>550C</b>	20 (3/4B), 25 (1B) JIS 10K FF flange	260	297		
<b>37B</b>	<b>650</b>	25 (1B), 40 (1 1/2B) JIS 10K FF flange	300	349		
<b>75B</b>	<b>850</b>	40 (1 1/2B), 50 (2B) JIS 10K FF flange	380	497		

### 4. With Differential Pressure Gauge (GD40-2-01), IN-OUT Flange

The differential pressure gauge is mounted on the main body to monitor the life of a filter by checking its clogging status. Ports on IN and OUT are flange connection type. (Flange material: Carbon steel)

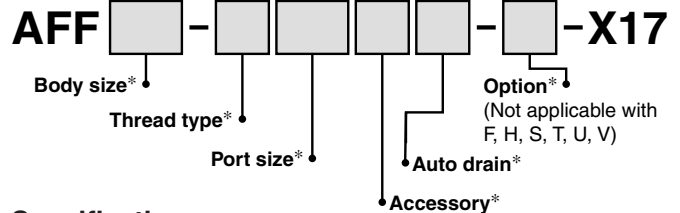
#### Specifications

Applicable model	<b>AFF11C, 22C, 37B, 75B</b>
------------------	------------------------------

#### How to Order



\* Refer to "How to Order" for standard specifications.



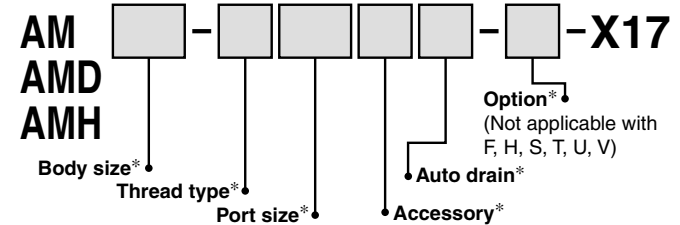
#### Specifications

Applicable model	<b>AM450C, 550C, 650, 850, AMD450C, 550C, 650, 850, AMH450C, 550C, 650, 850</b>
------------------	---

#### How to Order

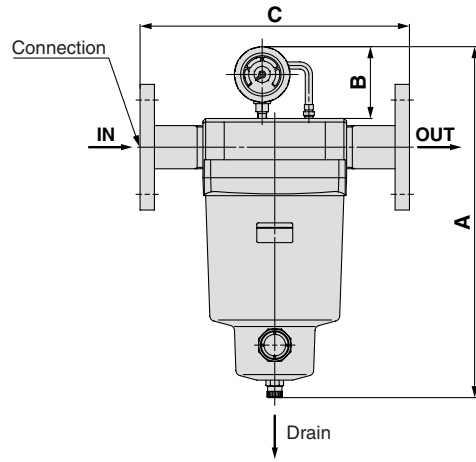


\* Refer to "How to Order" for standard specifications.



Note) • The AMG series is not applicable since water drops could ingress inside its differential pressure gauge, resulting in malfunction or damage to the product.

### Dimensions



Series AFF	Series AM, AMD, AMH	Connection	A	B	C
Size	Size		(mm)		
<b>11C</b>	<b>450C</b>	15 (1/2B), 20 (3/4B), 25 (1B) JIS 10K FF flange	305	80	240
<b>22C</b>	<b>550C</b>	20 (3/4B), 25 (1B) JIS 10K FF flange	339		260
<b>37B</b>	<b>650</b>	25 (1B), 40 (1 1/2B) JIS 10K FF flange	391		300
<b>75B</b>	<b>850</b>	40 (1 1/2B), 50 (2B) JIS 10K FF flange	541		380

# Compressed Air Cleaning Filter Series

# Made to Order Specifications 3



Please consult with SMC for detailed specifications, size and delivery.

## 5. N.C., N.O. Auto Drain, Drain Piping Type

Drain piping type (drain guide specification) to the drain exhaust from N.C. auto drain and N.O. auto drain. N.C. type is not available for the AFF37B and AM□650.

### Specifications

Applicable model	<b>AFF2C to 22C, 37B</b>
------------------	--------------------------

**How to Order** \* Refer to "How to Order" for standard specifications.

**AFF** □ - □ - □ - □ - □ - □ - **X26**

Body size\*  
Thread type\*  
Port size\*  
Accessory\*  
Option\* (Drain cock, drain guide and F, H, V are not applicable.)  
Auto drain\* (Available for N.C., N.O. auto drain only)

### Specifications

Applicable model	<b>AM□150 to 650</b>
------------------	----------------------

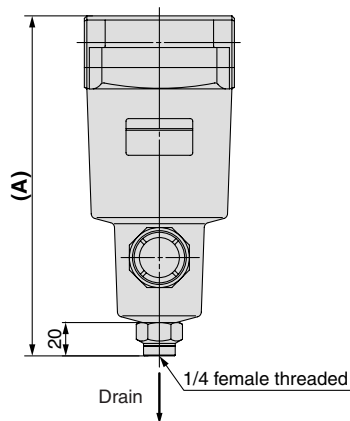
**How to Order** \* Refer to "How to Order" for standard specifications.

**AM**  
**AMD**  
**AMG**  
**AMH**

□ - □ - □ - □ - □ - □ - **X26**

Body size\*  
Thread type\*  
Port size\*  
Accessory\*  
Option\* (Drain cock, drain guide and F, H, V are not applicable.)  
Auto drain\* (Available for N.C., N.O. auto drain only)

### Dimensions



Series AFF	Series AM, AMD, AMG, AMH	Port size	A
Size	Size		
<b>2C</b>	<b>150C</b>	1/8, 1/4	159
<b>4C</b>	<b>250C</b>	1/4, 3/8	172
<b>8C</b>	<b>350C</b>	3/8, 1/2	204
<b>11C</b>	<b>450C</b>	1/2, 3/4	225
<b>22C</b>	<b>550C</b>	3/4, 1	259
<b>37B</b>	<b>650</b>	1, 1 1/2	311

## 6. White Vaseline Specifications

Changed the grease for O-rings and gaskets as lubricant to white vaseline.

### Specifications

Applicable model	<b>AFF37B, 75B</b>
------------------	--------------------

**How to Order** \* Refer to "How to Order" for standard specifications.

**AFF** □ - □ - □ - □ - □ - □ - **X12**

Body size\*  
Thread type\*  
Port size\*  
Accessory\*  
Auto drain\*  
Option\*

### Specifications

Applicable model	<b>AM650, 850, AMD650, 850, AME650, 850, AMF650, 850, AMG650, 850, AMH650, 850</b>
------------------	--

**How to Order** \* Refer to "How to Order" for standard specifications.

**AM**  
**AMD**  
**AME**  
**AMF**  
**AMG**  
**AMH**

□ - □ - □ - □ - □ - □ - **X12**

Body size\*  
Thread type\*  
Port size\*  
Accessory\*  
Auto drain\*  
Option\*

- HAA
- HAW
- AT
- IDF
- IDU
- IDFA
- IDFB
- ID
- IDG
- AMG
- AFF
- AM
- AMD
- AMH
- AME
- AMF
- SF
- SFD
- LLB
- AD□
- GD

# Compressed Air Cleaning Filter Series

# Made to Order Specifications 4



Please consult with SMC for detailed specifications, size and delivery.

## 7. Mist Separator for High Flow Rate (0.3 μm)

Use this product when the conventional mist separator (Series AM) cannot dispose of a high flow rate. The specifications other than the nominal filtration rating are all equivalent to that of the AFF75A to 220A.

### Specifications

Applicable model	<b>AFF75A to 220A</b>
------------------	-----------------------

### How to Order



\* Refer to "How to Order" for standard specifications.

