

# Mist Spray Unit

## Series *LMU100/200*

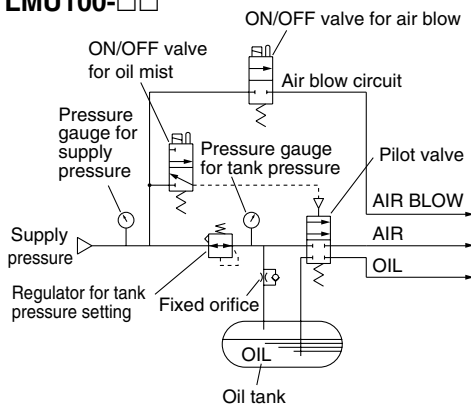
- Intermittent spray to cutting and press gear chains, etc.



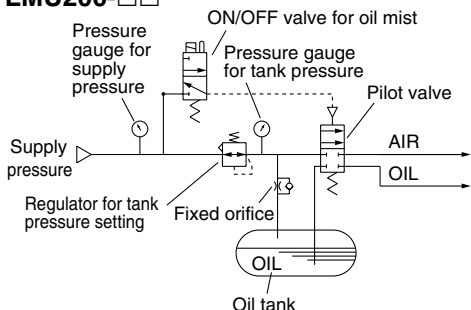
LMU100

### Control Circuit

LMU100-□□



LMU200-□□



### Standard Specifications

Model	LMU100	LMU200
Inlet air pressure	1.0 MPa	
Oil tank set pressure range	0.05 to 0.2 MPa	
Oil tank capacity (cm <sup>3</sup> )	Total capacity: 3000	
	Effective capacity: 2500	
Ambient and fluid temperature	5 to 50°C	
Solenoid valve voltage	100 VAC 50/60Hz, 200 VAC 50/60Hz, 24 VDC	
Port size	SUP Rc 1/4	
	OUT 3 x Rc 1/4	AIR : T0604 (ø6 tube) applicable OIL : T0425 (ø4 tube) applicable AIR BLOW : T0806 (ø8 tube) applicable
Weight (kgf)	8.4	7.9

### How to Order

LMU 1 00 - 1 3

Mist spray unit

Air blow circuit

Float switch

1	Available
2	Not available

Rated voltage

1	100 VAC (50/60 Hz)
2	200 VAC (50/60 Hz)
5	24 VDC

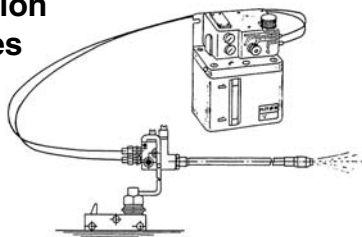
0	None
3	For the upper and lower limit control (SW turns OFF when the float is on the upper side.) SW turns ON when the float goes down. Contact capacity 50 VA AC, 50 W DC

### Recommended Equipment

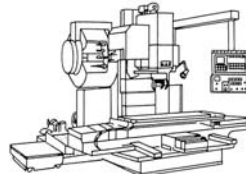
It is recommended to use each mist spray unit type with the mixing valves, magnet holders, branch pipes and nylon tubes listed in the table below.

Mist spray unit	Mixing valve	Magnet holder	Branch pipe	Nylon tube
This unit, with an oil tank and a spray ON/OFF control unit, sends oil and air to the mixing valve.	This valve adjusts the amounts of oil and air from the mist spray unit using built-in oil and air needles, and also discharges oil mist from the nozzle.	This magnet holder enables the mixing valve installed on the arm end to be freely attached to the iron and steel parts such as machining tools, etc.	This pipe is used to separate oil and air from the mist spray unit when using several mixing valves.	This tube is used for the air piping and oil piping between the mist spray unit and the mixing valve.
LMU100-□□	LMV110-□□ LMV120-□□	LMH10	LMD1-□	OIL→T0425□ AIR→T0604□ AIR BLOW→T0806□
LMU200-□□	LMV210-□□ LMV220-□□	LMH20	LMD2-□	OIL→T0425□ AIR→T0604□

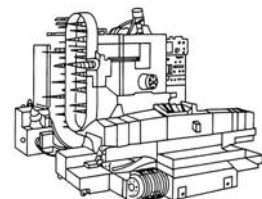
### Application Examples



Standing type machining center (Drilling center)



Horizontal machining center



AL800  
AL900

ALF  
ALT

ALD

ALB

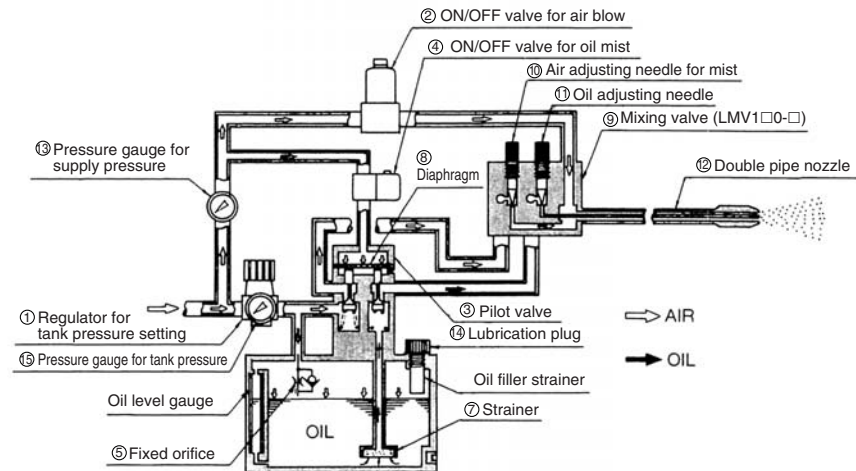
LMU

ALIP

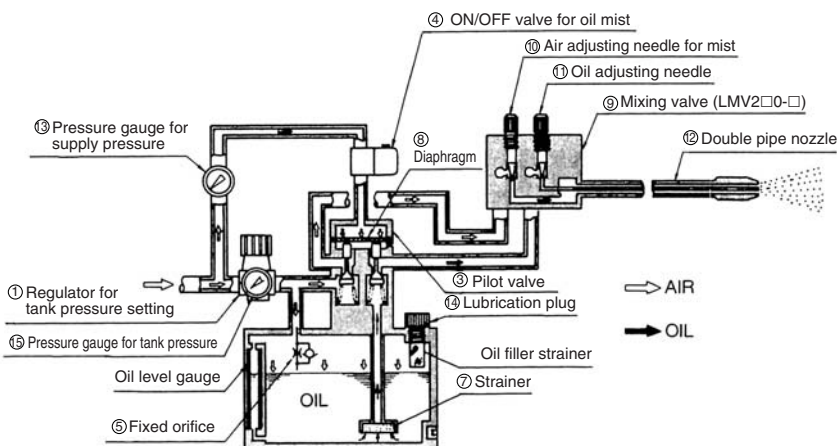
# Series LMU

## Construction/Working Principle

### LMU100-□□



### LMU200-□□



### Working Principle

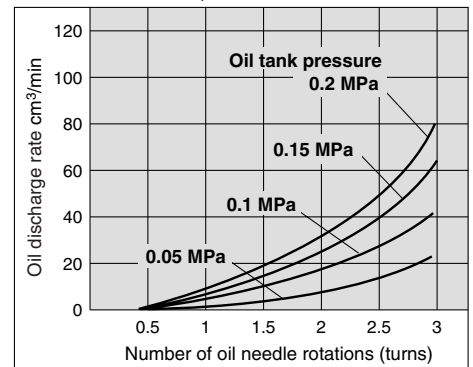
Of the compressed air from the air source, part is directed to the regulator for tank pressure setting (1), while the rest is directed to the ON/OFF valve for oil mist (4), which operates the ON/OFF valve for the air blow circuit (2) and the pilot valve for the mixing circuit (3). Compressed air at a prescribed setting determined by the regulator for tank pressure setting (1) passes through the fixed orifice (5) and gradually fills the oil tank (6), applying pressure to the OIL surface. The OIL in the tank passes through the strainer (7) and is drawn into the pilot valve (3). Operating the ON/OFF valve for oil mist (4) at this point will cause operating signal pressure to be conducted into the pilot valve (3), pushing the diaphragm (8) downwards, and as a result the compressed air from pilot valve (3) and oil from the opened valve will flow through their respective conduits and be drawn into the mixing valve (9).

Air and oil are adjusted with varying quantities by the air for mist from the mixing valve (9) and oil adjustment needles (10) and (11). With dual piping from the mixing valve (9) to the dual pipe nozzle (12), compressed air passes through the outside while oil passes through the inside, and at the tip of the dual pipe nozzle (12) they are sprayed out as a fine mist by the discharged air.

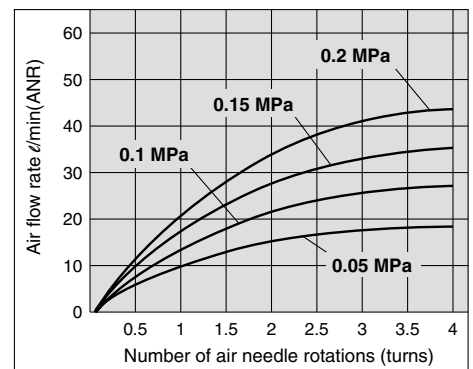
To remove cutting chips, operate the ON/OFF valve for air blow (2), which will cause the supplied compressed air to be drawn directly into the mixing valve (9) and blown out as air through the external piping of the dual pipe nozzle (12). To replenish oil, loosen the oil supply plug (14) to discharge the compressed air from inside the tank through the oil supply plug's side hole. Since it flows gradually from the fixed orifice (5) into the interior of the tank, it is easy to replenish oil from the oil supply hole.

## Oil Discharge Rate (Representative Value)

Conditions: Oil: Turbine oil class 1 ISO VG32  
Oil temperature: 26°C



## Air flow rate (Representative Value)



## Handling Precautions

### Mounting

1. Be sure to mount an air filter corresponding to 5mm (equivalent to the SMC AF20) on the SUP side of the mist spray unit.

### Adjustment

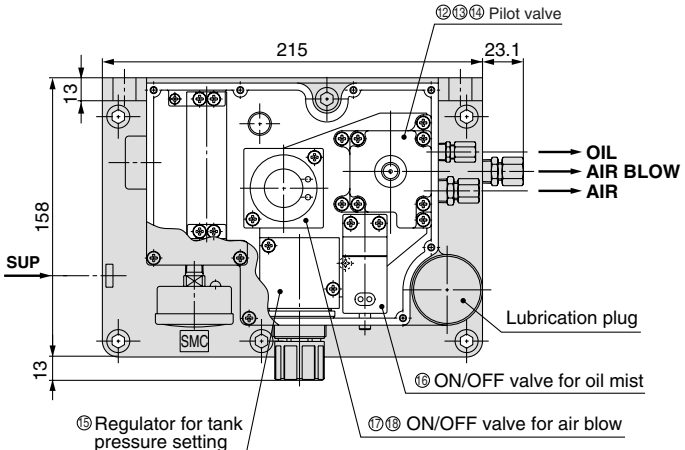
1. After loosening the tank's pressure-setting handle (by rotating it to the left), introduce air from the air source. Use the tank's pressure-setting handle and set the range from 0.05 to 0.2 MPa, set each control valve to ON (manual operation or energized), and inspect carefully to make sure there is no looseness in the fittings at each connecting point. At this time, be sure the air and oil adjustment needles of the mixing valve are in a completely closed position (by rotating it to the right.)

### Lubrication

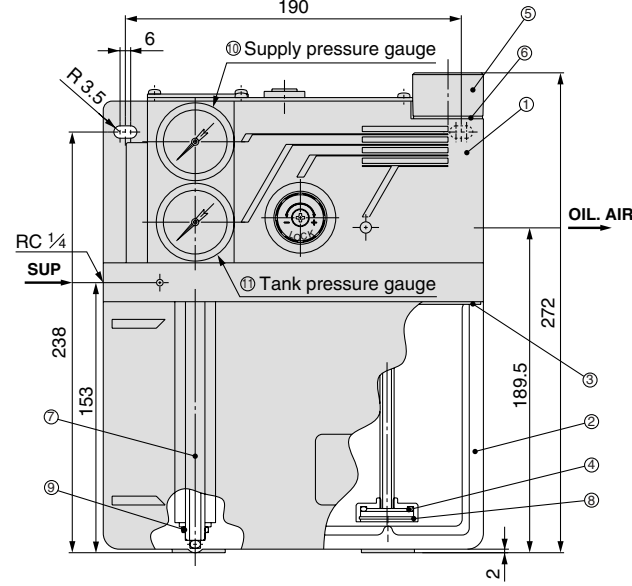
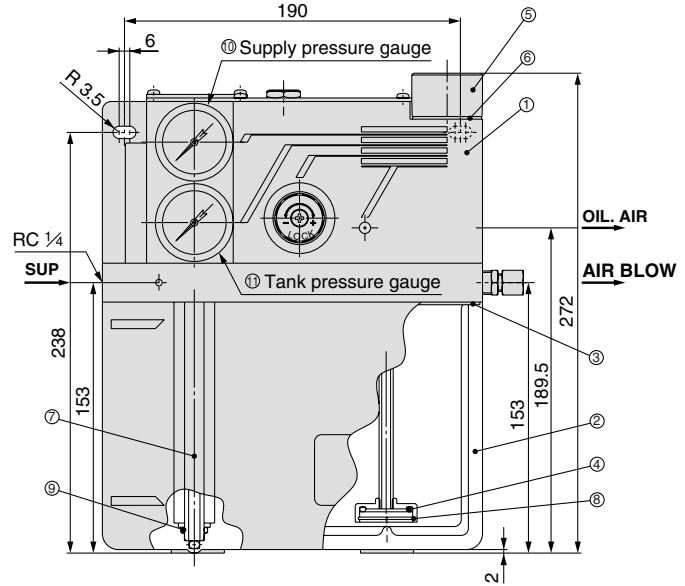
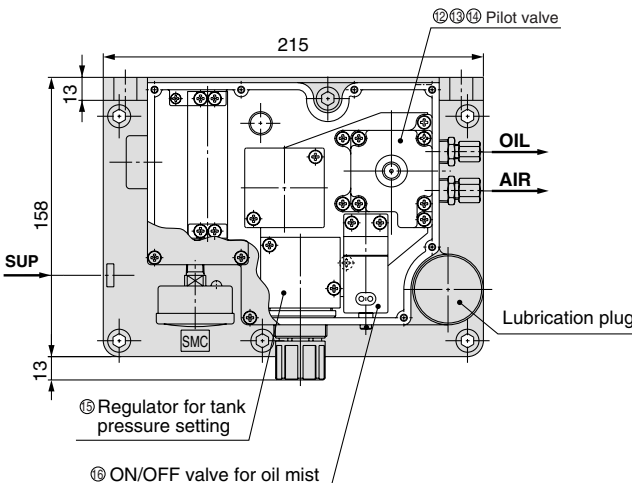
1. Completely release air in the OIL pipe. Even small amounts of air in the OIL pipe will cause oil to dribble. Fully open the oil adjustment needle of the mixing valve, and turn the ON/OFF valve for oil mist generation to the ON position, or press and hold down the manual button to release all air from inside the OIL pipe. If air buildup from use of branching pipes, etc. takes place inside the OIL pipe, mount an air release valve at the highest position and let the air out.  
Be sure to carry out this operation when replenishing the oil after the oil tank becomes empty.

## Dimensions/Parts List

### LMU100



### LMU200



### Main Parts List

No.	Description	Material	Note
1	Mist spray body	Aluminum die-casted	Platinum silver coated
2	Mist spray tank	Aluminum die-casted	Platinum silver coated

### Spare Parts/Replacement Parts Part No.

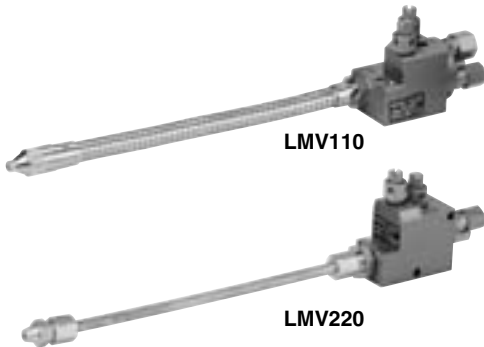
No.	Description	Material	Qty.	Part no.	
				LMU100	LMU200
3	Body seal	NBR	1	81021-3	
4	Element	Bronze	1	81021-6	
5	Lubrication plug	Brass	1	81021-7	
6	Filler seal	—	1	81021-8	
7	Level gauge	Hard glass	1	81021-9	
8	Type C retaining ring for hole	Stainless steel	1	JIS B2804 Nominal 30	
9	O-ring	FKM	2	JIS B2401 P11	
10	Pressure gauge	—	1	G40-10-01	
11	Pressure gauge	—	1	G40-3-01-X289	
12	Pilot valve	—	1	81022P	
13	O-ring	NBR	1	JIS B2401 P3	
14	O-ring	FKM	2	JIS B2401 P12	
15	Regulator	—	1	INA-13-717	
16	Solenoid valve	—	1	VO301-00 $\frac{1}{2}$ G-X212	
17	Solenoid valve	—	1	VO315-00 $\frac{1}{2}$ G	—
18	O-ring	NBR	4	JIS B2401 P8	—

AL800  
AL900  
ALF  
ALT  
ALD  
ALB  
LMU  
ALIP



# Related Products

## Mixing Valve: Series LMV



### Specifications

Inlet air pressure	0.3 MPa Max.	
Ambient and fluid temperature	5 to 60°C	
Port size	AIR	T0604 (ø6 tube) applicable
	OIL	T0425 (ø4 tube) applicable
	AIR BLOW	T0806 (ø8 tube) applicable

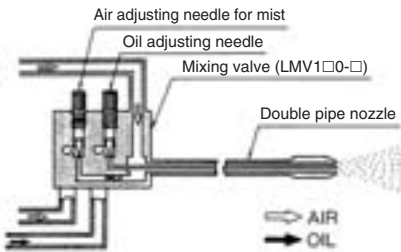
### How to Order

**LMV 1 1 0 - 20**

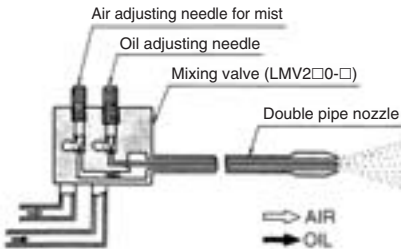
● Mixing valve	1	Available	● Nozzle tubing construction	1	Flexible tubing	● Nozzle tubing length: L
	2	Not available		2	Copper tubing	
			20	200 mm		
			25	250 mm		
			30	300 mm		
			35	350 mm		

### Construction

#### LMV1□0/With air blow circuit

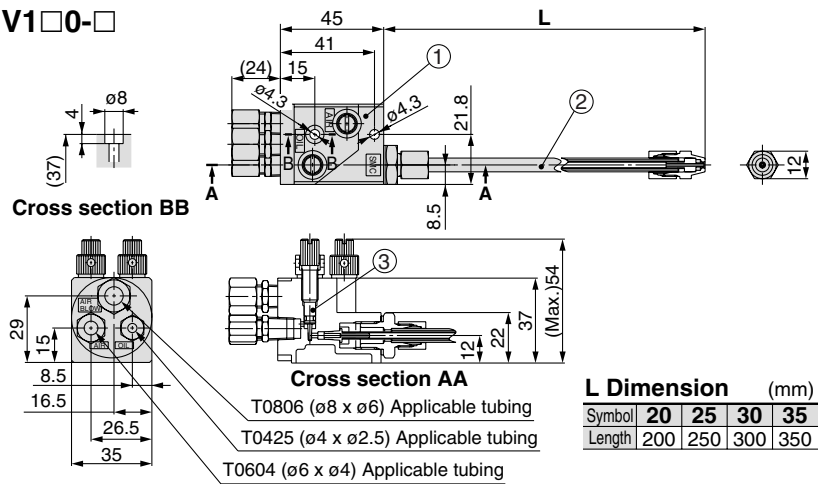


#### LMV2□0/Without air blow circuit



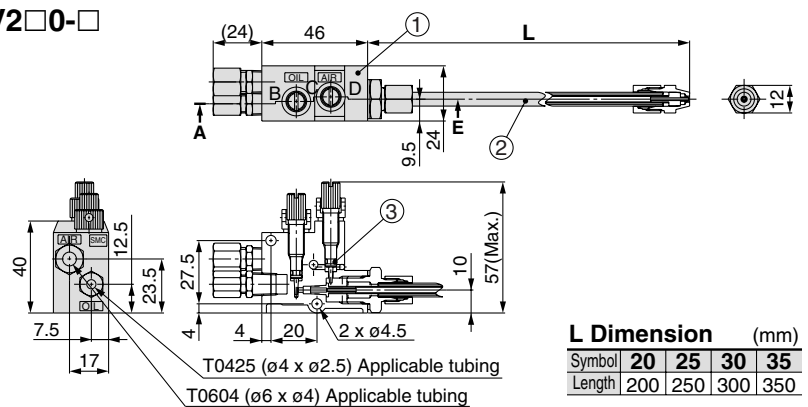
### Dimensions

#### LMV1□0-□



L Dimension (mm)	
Symbol	Length
20	200
25	250
30	300
35	350

#### LMV2□0-□



L Dimension (mm)	
Symbol	Length
20	200
25	250
30	300
35	350

### Main Parts List

No.	Description	Material	Note
1	Mixing valve body	Aluminum die-casted	Platinum silver coated

### Spare Parts/Replacement Parts Part No.

No.	Description	Material	Qty.	Part no.	
				LMV□10	LMV□20
2	Flexible nozzle assembly	—	1	81023-2A-1 to 4 Note 1)	—
	Copper piping nozzle assembly	FKM	1	—	81023-31A-1 to 4 Note 1)
3	O-ring	FKM	2	123116-2	

Note 1) Numbers indicate nozzle lengths. -1: 200 mm, -2: 250 mm, -3: 300 mm, -4: 350 mm

## Magnet Holder: Series LMH



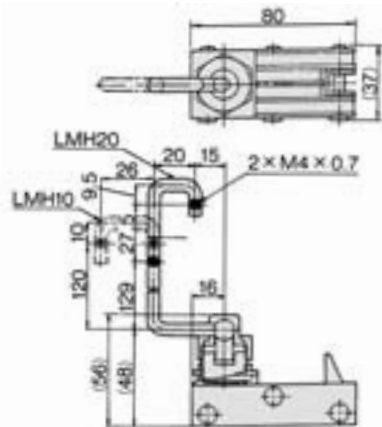
### How to Order

**LMH 1 0**

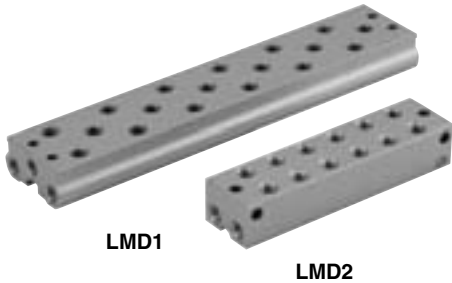
Magnet holder •  
Air blow circuit •

Symbol	Construction	Applicable mixing valve model
1	Available	LMV1□0
2	Not available	LMV2□0

### Dimensions



## Branch Pipe: Series LMD



### How to Order

**LMD 1 - 2**

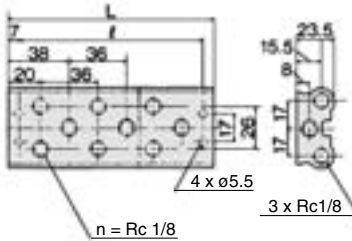
Branch pipe • No. of mixing valves

1	Available
2	Not available

1	1
2	2
3	3
4	4
5	5
6	6

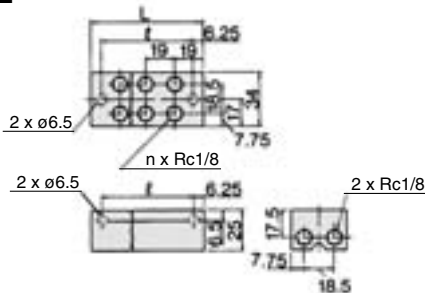
### Dimensions

#### LMD1



Model	n	n: Stations	
		L	ℓ
LMD1-1	3	58	44
LMD1-2	6	94	80
LMD1-3	9	130	116
LMD1-4	12	166	152
LMD1-5	15	202	188
LMD1-6	18	238	224

#### LMD2



Model	n	n: Stations	
		L	ℓ
LMD2-1	2	38	25.5
LMD2-2	4	57	44.5
LMD2-3	6	76	63.5
LMD2-4	8	95	82.5
LMD2-5	10	114	101.5
LMD2-6	12	133	120.5

AL800  
AL900

ALF  
ALT

ALD

ALB

ALMU

ALIP