

Miniature Regulator Series ARJ1020F

■ Compact and lightweight
(16 g)

■ Low cracking pressure
0.02 MPa
Standard model equipped
with backflow function



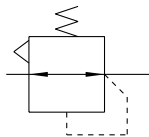
ARJ1020F-M5-04

ARJ1020F-M5-06



ARJM10-6

JIS Symbol



Note) A standard model is equipped with a backflow function.
A main valve opens when the inlet pressure is released, and then an outlet pressure backflows into the inlet side.

Standard Specifications

Model		ARJ1020F	
Port size	IN side	M5 (Male thread)	
	OUT side (Applicable tubing O.D.)	ø4	ø6
Fluid	Air		
Proof pressure	1.2 MPa		
Maximum operating pressure	0.8 MPa		
Regulating pressure range	Standard: 0.1 to 0.7 MPa		
	0.2 MPa setting 0.05 to 0.2 MPa		
Ambient and fluid temperature	-5 to 60°C (No freezing)		
Construction	Relieving type		
Mass (kg)	0.015	0.016	
Cracking pressure (Valve)	0.02 MPa		
Max. effective area (OUT → IN)	1.8 mm ²		
Applicable tubing material ^{Note)}	Nylon, Soft nylon, Polyurethane		



Note) Be sure to note the maximum operating pressure for soft nylon and polyurethane. (Refer to Best Pneumatics No. 6.)

Accessory (Option)/Part No.

Description	Part no.
Manifold base	ARJM10-4, -6, -10

How to Order

ARJ 10 20 F - M5 - 04 - []

Miniature regulator

Body size
10 M5

Port size
M5 M5 x 0.8

With One-touch fitting

Piping
20 Elbow type

Option

Nil	0.7 MPa setting (Standard)
1	0.2 MPa setting

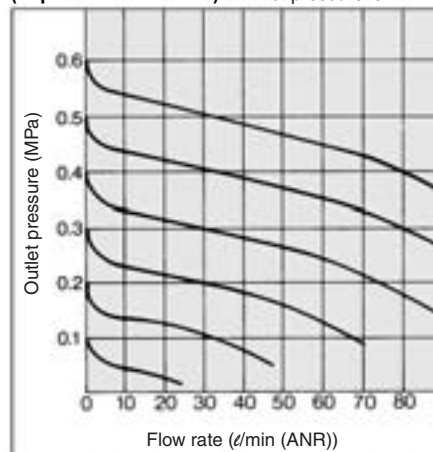
Note) Compared with standard specifications, its adjusting spring has only been changed. It is not the product which does not allow the pressure more than 0.2 MPa. Adjusting spring is not replaceable.

Applicable tubing O.D.

04	4 mm
06	6 mm

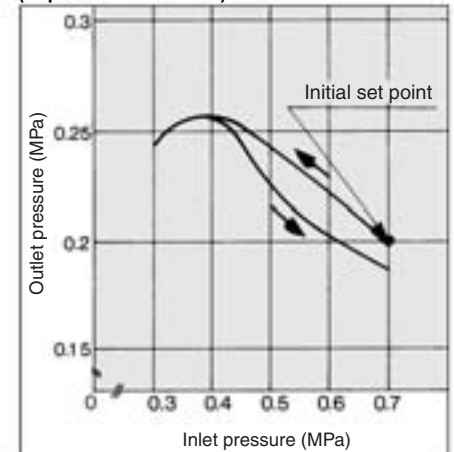
Flow Characteristics (Representative values)

Inlet pressure: 0.7 MPa

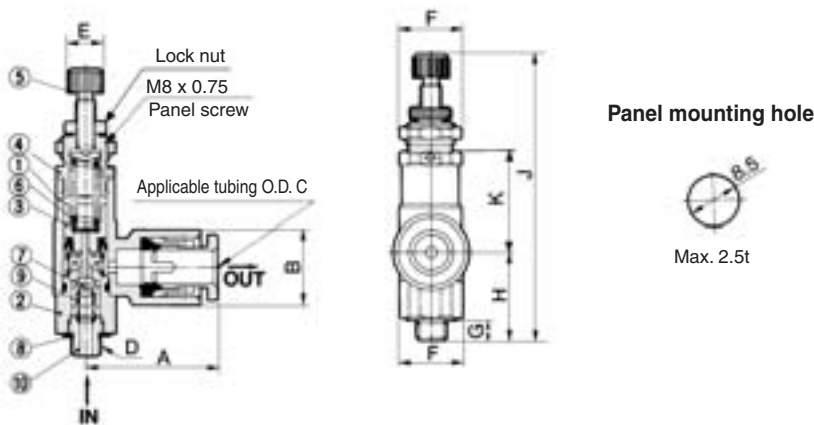


Pressure Characteristics (Representative values)

Conditions (Initial setting)
Inlet pressure: 0.7 MPa
Outlet pressure: 0.2 MPa
Flow rate: 10 l/min (ANR)



Construction/Dimensions



Component Parts

No.	Description	Material	Note
1	Body	PBT	
2	Valve guide	Brass	Electroless nickel plated
3	Piston	Polyacetal	
4	Bonnet	Brass	Electroless nickel plated
5	Handle	Brass	Electroless nickel plated
6	Adjusting spring	Steel wire	Zinc chromated
7	Valve	Brass	Rubber lining
10	Nipple	Brass	Electroless nickel plated

Replacement Parts

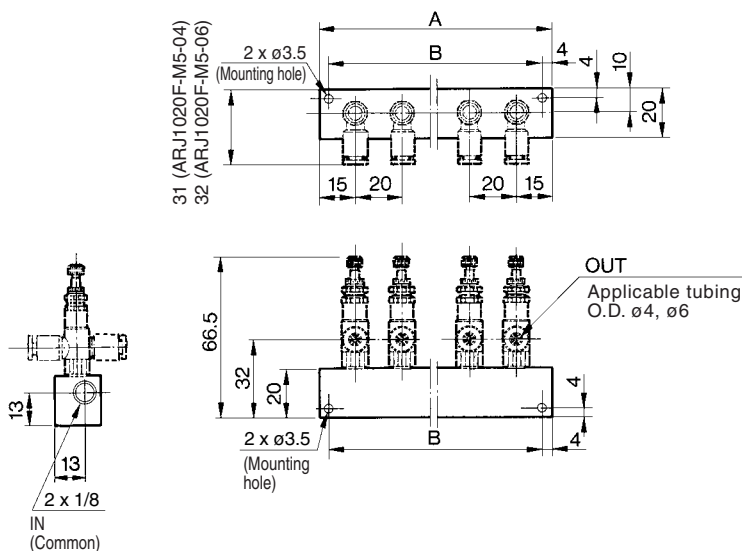
No.	Description	Material	Part no.
7	Valve	Brass, HNBR	13434-30#1
8	Gasket	Stainless steel NBR	P233014-04
9	Spring	Stainless steel	134313

* When replacing valves and springs, remove nipple first. Note that adhesive is applied to the nipple portion.

Dimensions

Model	A	B	C	D	E	F	G	H	J	K
ARJ1020F-M5-04	21	10.4	4	M5 x 0.8	6	10.6 (Width across flats: 10)	3.5	15.5	50	17.2
ARJ1020F-M5-06	22	12.8	6							

Manifold Base (Option)/Dimensions



Manifold base part no.	Stations	A dimension	B dimension
ARJM10-4	4	90	82
ARJM10-6	6	130	122
ARJM10-10	10	210	202

⚠ Precautions

Be sure to read before handling. Refer to front matters 42 and 43 for Safety Instructions and pages 287 to 291 for Precautions on every series.

Piping

⚠ Warning

- To connect the IN side, hold the valve guide at its wrench flats (opposite side 10) and tighten it at the recommended torque of 1.5 to 2 N·m. Excessive torque or holding it at an area other than the specified portion may result in a malfunction.
- While piping to products or operating the handle, ensure that an excess bending moment should not be applied to a product, because it may result in damage.

Mounting/Adjustment

⚠ Warning

- Set up the regulator while verifying the pressure that is indicated on the inlet and the outlet pressure gauges. Turning the handle excessively could damage the internal parts.

⚠ Caution

- Release the lock to adjust the pressure. After the adjustment, engage the lock. Failure to observe this procedure could damage the handle or cause the outlet pressure to fluctuate.
<Lock operating method>
Loosen the lock nut to unlock it, and tighten it to lock it.
- This product can be used as a check regulator by installing it between solenoid valve and actuator.

ARJ

AR425
to 935

AMR

ARM

ARP

IR

IRV

VEX1□

SRH

SRP

SRF

ARX20

VCHR

ITV

IC

PVQ

VEF
VEP

VER

VEA

VY2

VBA
VBAT

AP100

Miniature Regulator

Series ARJ210

- Lightweight body made of aluminum (60 g)
- Two styles of piping connections provided for the IN side: 1/8 (male thread) and M5 (female thread)

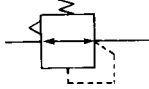


ARJ210-M5



ARJ210-M5BG

JIS Symbol



Standard Specifications

Model		ARJ210-M5
Port size	IN side	1/8 (Male thread), M5 x 0.8 (Female thread)
	OUT side	M5 x 0.8 (Female thread 2 pcs.)
Fluid		Air
Proof pressure		1.2 MPa
Maximum operating pressure		0.8 MPa
Regulating pressure range		Standard: 0.2 to 0.7 MPa
		0.2 MPa setting 0.05 to 0.2 MPa
Pressure gauge port size		M5 x 0.8 (Female thread)
Ambient and fluid temperature		-5 to 60°C (No freezing)
Mass (kg)		0.06

Accessory (Option)/Part No.

Bracket	134856
Pressure gauge <small>Note</small>	G27-10-R1



Note) When ordering the pressure gauge, a socket assembly (134828A) is required. When installing a pressure gauge, the socket assembly must be fixed and installed to prevent the thread from breaking. 0.2 MPa specification is not available for G27.

How to Order

ARJ 2 10 - M5 BG - [] - []

- Miniature regulator**
- Body size**
- Model**
- Port size**
- Accessory Note**
- Option**
- Made to Order**

Symbol	Description
Nil	—
B	With bracket
G	With pressure gauge

Nil	None (Standard)
X209	With backflow function

Nil	0.7 MPa setting (Standard)
1	0.2 MPa setting
S	With seal

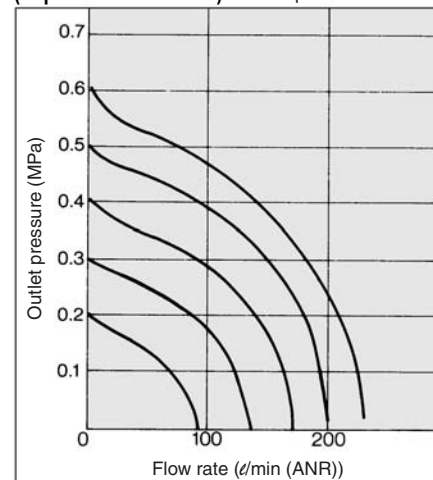
Model	IN	OUT
10	1/8 (Male thread)	M5 x 0.8 (Female thread)
M5	M5 x 0.8 (Female thread)	M5 x 0.8 (Female thread)

Note 1) Compared with standard specifications, its adjusting spring has only been changed. It is not the product which does not allow the pressure more than 0.2 MPa. Adjusting spring is not replaceable.

Note) Backflow function is not available for standard. X209 is with backflow function. A main valve opens when the inlet pressure is released, and then an outlet pressure backflows into the inlet side.

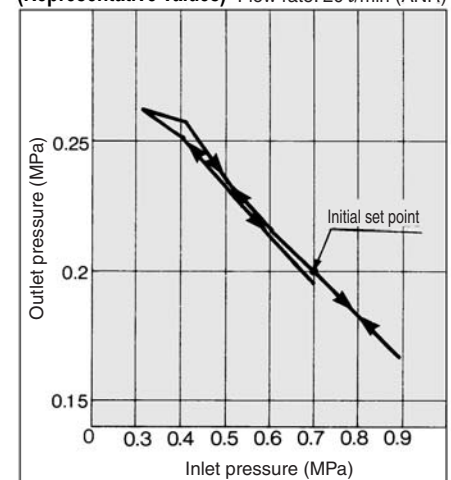
Flow Characteristics (Representative values)

Inlet pressure: 0.7 MPa

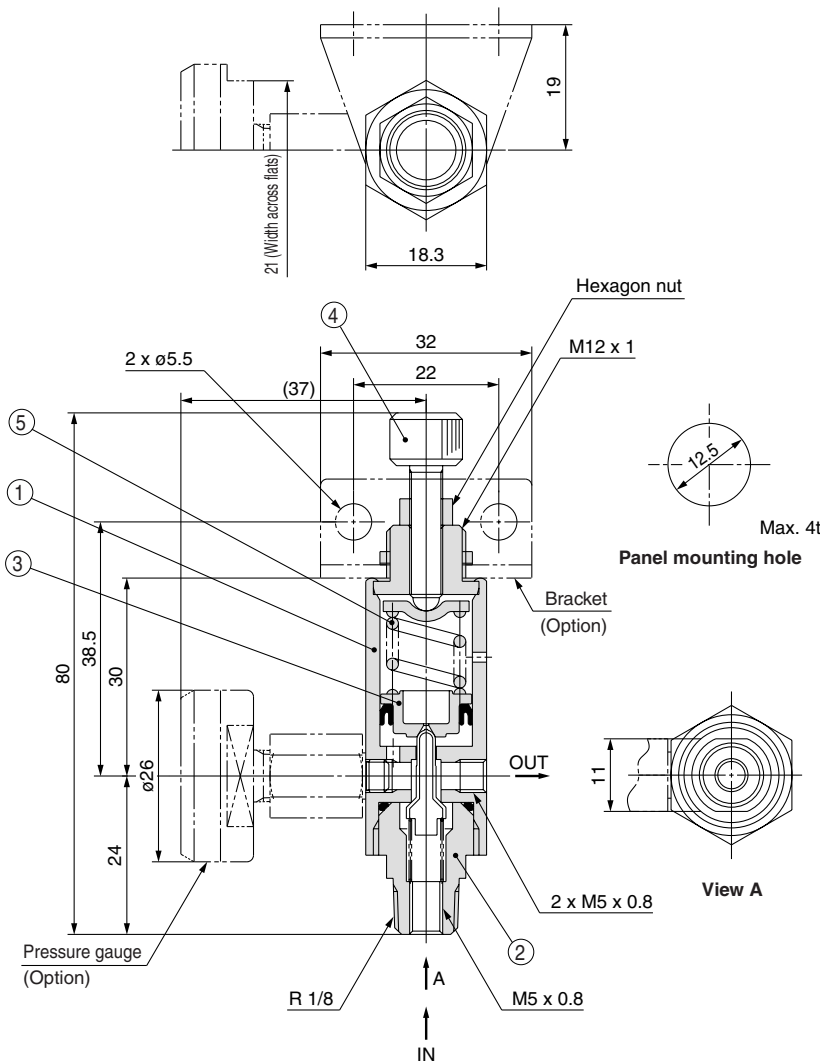


Pressure Characteristics (Representative values)

Conditions (Initial setting)
Inlet pressure: 0.7 MPa
Outlet pressure: 0.2 MPa
Flow rate: 20 l/min (ANR)



Construction/Dimensions



No.	Description	Material	Note
1	Body	Aluminum alloy	Black anodized
2	Valve guide	Brass	Electroless nickel plated
3	Piston	POM	
4	Adjusting screw	Iron	Nickel plated
5	Adjusting spring	Steel wire	Zinc chromated

⚠ Precautions

Be sure to read before handling. Refer to front matters 42 and 43 for Safety Instructions and pages 287 to 291 for Precautions on every series.

Selection

⚠ Warning

- This product cannot be used as a check regulator by installing it between solenoid valve and actuator. Doing so could lead to equipment damage.
- When connecting a pipe to the IN side, hold the valve guide at its wrench flats (opposite side 11), and when connecting to the OUT side, hold the body at its hexagon portion and tighten it to the recommended torque. (M5: 1.5 to 2 N·m, R 1/8: 7 to 9 N·m.) Excessive torque or holding it other than at the specified area could lead to equipment damage.
- While piping to products or operating the handle, ensure that an excess bending moment should not be applied to a product, because it may result in damage.

Mounting/Adjustment

⚠ Warning

- Set up the regulator while verifying the pressure that is indicated on the inlet and the outlet pressure gauges. Turning the handle excessively could damage the internal parts.

⚠ Caution

- Release the lock to adjust the pressure. After the adjustment, engage the lock. Failure to observe this procedure could damage the handle or cause the outlet pressure to fluctuate. <Lock operating method> Loosen the lock nut to unlock it, and tighten it to lock it.
- This product cannot be used as a check regulator by installing it between solenoid valve and actuator.
- Port with a pressure gauge or a plug can be used as an OUT port.

Maintenance

⚠ Warning

- Make sure to perform a periodic inspection of the pressure gauge when the miniature regulator is installed between a solenoid valve and an actuator. Sudden pressure changes could happen and the durability of the product could be reduced. Using an electronic style pressure gauge is recommended, depending on the situation.

ARJ

AR425
to 935

AMR

ARM

ARP

IR

IRV

VEX1□

SRH

SRP

SRF

ARX20

VCHR

ITV

IC

PVQ

VEF
VEP

VER

VEA

VY2

VBA
VBAT

AP100