

Multi-Phase Panel Protectors

LEVITON®

32000 Series – For Industrial & Commercial Environments

10 YEAR LIMITED WARRANTY

SPECIFICATIONS & FEATURES

32000 & 42000 SERIES

- 32000 Series Compatible with Decora Home automation devices.
- Real-time diagnostics via indicator lights and acoustic alarm.
- Dry contacts for remote monitoring (NO-C-NC).
- Compact design for close installation to panel provides short parallel suppression path.
- UL 1449 2nd Edition Listed.

ENVIRONMENTAL

STORAGE TEMPERATURE

-20°C to 85°C

OPERATING TEMPERATURE

-10°C to 60°C

FLAMMABILITY

UL94-5V
Flame Retardant Thermoplastic
(Front Bezel)

STANDARDS & CERTIFICATIONS

ANSI/IEEE Categories A, B, & C
C-62.41 & C-62.45

UL 1449
#E146315

CSA
#LR-94773



32120-DY3

Accessory

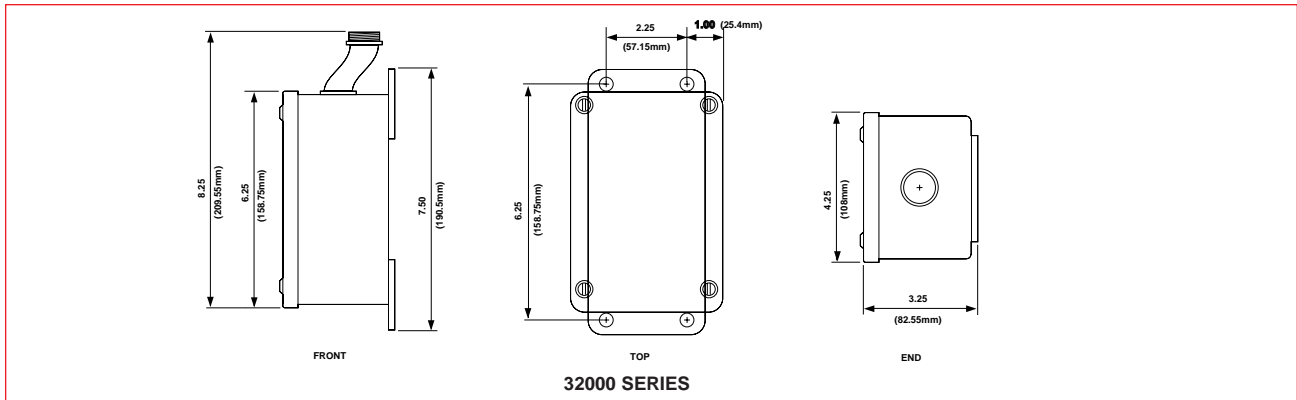


Cat. No. 42001-FMC
Flush Mount Cover



| DESCRIPTION | CATALOG NO. | VOLTAGE RATING |
|--|-------------|--------------------------------------|
| 32000 Series | | |
| Single Phase | 32120-1 | 120/240V AC |
| 3Ø WYE or 220V AC, 3Ø Delta | 32120-DY3 | 120/208V AC |
| 277/480V or 220/380V AC 3Ø WYE or 240, 480V AC 3Ø Delta | 32277-DY3 | 277/480V AC, 220/380V AC, 480V AC |
| 3Ø WYE | 32347-DY3 | 347/600V AC |
| Hi-Leg Split Phase Delta | 32412-DS3 | 120/240V AC |
| Flush Mount Collar | 42001-FMC | - |

| CATALOG NO. | MCOV | UL 1449 (2nd Ed) IMPULSE 6kV/500A | | | MAX.SURGE CURRENT in kA (test w/ 8x20µs wave) | NOISE REJECTION FOR 32000 SERIES | NOISE REJECTION FOR 42000 SERIES |
|---------------------|-------------------------|--------------------------------------|------|------|--|-------------------------------------|-------------------------------------|
| 32000 Series | | | | | | | |
| | | L-N | N-G | L-L | L-N | | |
| 32120-1 | 150V AC | 500 | 500 | 700 | 80kA | -20 to -30 dB (@ 1.5K-1.2MHz) | -30 to -40 dB (@ 10K-10MHz) |
| 32120-DY3 | 150V AC | 500 | 500 | 700 | 80kA | -20 to -30 dB (@ 1.5K-1.2MHz) | -30 to -40 dB (@ 10K-10MHz) |
| 32277-DY3 | 320V AC | 900 | 800 | 1500 | 80kA | -20 to -30 dB (@ 1.5K-1.2MHz) | -30 to -40 dB (@ 10K-10MHz) |
| 32347-DY3 | 382V AC L-L: 660V AC | 1200 | 1000 | 2000 | 80kA | -20 to -30 dB (@ 1.5K-1.2MHz) | -30 to -40 dB (@ 10K-10MHz) |
| 32412-DS3 | 132V AC L-L: 264V AC | 400 | 500 | 800 | 80kA | -20 to -30 dB (@ 1.5K-1.2MHz) | -30 to -40 dB (@ 10K-10MHz) |



Power Quality Devices – Multi-Phase Panel Protectors