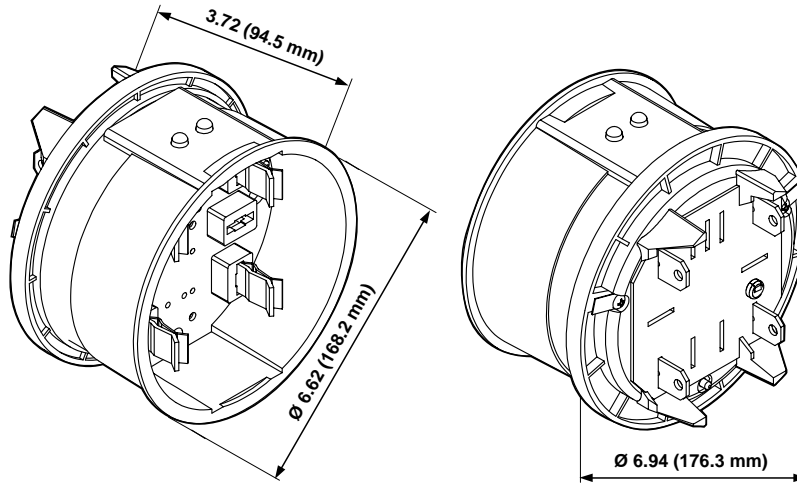


## Meter Socket Surge Adapter

DESCRIPTION	CAT. NO.
Meter Socket Surge Adapter	50240-MSA

## Secondary Surge Arrester

DESCRIPTION	CAT. NO.	MCOV	RATING
Secondary Surge Arrester w/LED and Audible Alarm	55175-ASA	180V	120/240V
Secondary Surge Arrester	55175-SSA	180V	120/240V
Secondary Surge Arrester w/LED and Audible Alarm	55650-ASA	680V	277/480V



Cat. No. 50240-MSA

### SPECIFICATIONS & FEATURES

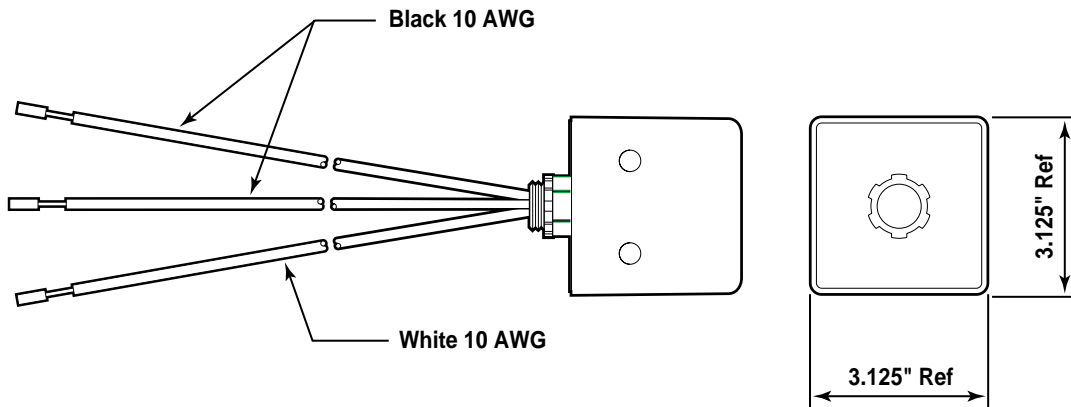
- Single 53mm MOV per line design (Line 1-Neutral, Line 2-Neutral) provides a higher energy capacity than smaller size (20mm) MOV's
- Superior to multiple small MOV configurations where the protection is only as good as the weakest MOV in the chain
- Rated for 65,000 peak amps maximum surge current
- Nominal clamping voltage per line: 800V
- Diagnostic LED's: Green indicates surge protection is active, Red indicates protection is no longer active
- Designed for 120/240 volt single-phase ringless or ring-type meters
- Rugged housing constructed of high-impact, non-conductive fiberglass-reinforced polycarbonate
- Available in popular jaw configurations, featuring spring-loaded, high-pressure copper-plated contacts for maximum conductivity

### TESTING & CODE COMPLIANCE

- Surge arrester performance tested to IEEE C62.11 (10,000 amps/4 x 10 μs), IEEE C62.41 & C62.45 Category C Standards
- UL Listed Surge Arrester (465V Discharge voltage @ 1500 amps)
- Backed by a Limited 10-Year Warranty

### MATERIAL CHARACTERISTICS

Operating Temperature: -10°C to 60°C  
Storage Temperature: -35°C to 60°C



Cat. No. 55175-ASA