

### Multi-Media Residential Surge Protector Panel

DESCRIPTION	CAT. NO.	RATING
Multi-Media Residential Surge Protector Panel	51110-PTC	120A 240V

### General Purpose Plug Strips

DESCRIPTION	CAT. NO.	RATING
6-Outlet Suppression Strip UL 1449 (L-N) 500V	3400PS	15A 120V
8-Outlet Suppression Strip UL 1449 (L-N) 500V	3500PS	15A 120V

### General Purpose Plug-Ins

DESCRIPTION	CAT. NO.	RATING
6-Outlet Plug-in w/Power & Circuit Monitor Lights UL 1449 (All Modes) 400V	3500-P	15A 120V
6-Outlet Plug-in w/two RJ11 Phone Jacks, 6 ft. Phone Cord, Power & Circuit Monitor Lights UL 1449 (All Modes) 400V	3500-PT	15A 120V
6-Outlet Plug-in w/two F Coax Cable Connectors, 4 ft. Coax Cable Power & Circuit Monitor Lights UL 1449 (All Modes) 400V	3500-PC	15A 120V

### 51000 Series Branch Panel Mount SPD's

DESCRIPTION	CAT. NO.	RATING
1-Phase, 3-Wire & Ground	51120-1	120/240V AC
3-Phase WYE, 4-Wire & Ground	51120-3	120/208V AC
1-Phase, 3-Wire & Ground; NEMA 3R Outdoor Enclosure	51120-3R	120/240V AC
1-Phase, 3-Wire & Ground; with RJ11 Telephone and F-Connector CATV/Satellite Modules	51120-PTC	120/240V AC

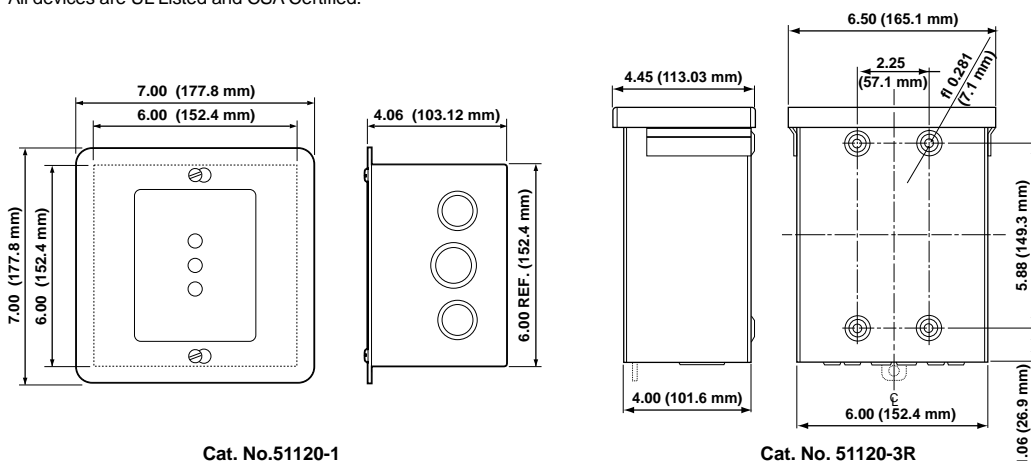
### Performance Specifications

SPECIFICATION	51120-1, 51120-3	51120-3R	51110-PTC	51120-PTC
Maximum continuous line voltage	150V	180V	150V	AC: 150V Tel: 90V DC CATV: 10V DC
Operating frequency range	50, 60Hz	50, 60Hz	50, 60Hz	50, 60Hz

### Clamping Performance

SPECIFICATION	51120-1, 51120-3	51120-3R	51110-PTC	51120-PTC
Cat. B3 combination wave (8x20µs) peak clamping voltage	480V	640V	370VpK	480V
Maximum single-pulse transient current (8x20µs, Amps peak)	50KA	50KA	AC: 80kA Tel: 1.9kA @ 3.8kV CATV: 2kA	AC: 80kA Tel: 1.9kA @ 3.8kV CATV: 2kA
Rated single-pulse transient energy (10x1000µs Joules)	950J	950J	AC: 1600J	AC: 950J
UL 1449 rating (L-N)	500V	800V	AC: 400V Tel: 220V CATV: 25V	AC: 500V Tel: 220V CATV: 25V

All devices are UL Listed and CSA Certified.



### SPECIFICATIONS & FEATURES

#### General Purpose Plug Strips

- For use with personal computers, modems, printers, FAX, audio components
- Circuit monitor light
- Three-stage protection: hot-to-neutral, hot-to-ground, neutral-to-ground
- Built-in circuit breaker
- 6-foot 14-3 AWG power cord
- RFI filtering

#### General Purpose Plug-Ins

- RFI filtering
- 3-stage protection: hot-to-neutral, hot-to-ground, neutral-to-ground
- Built-in fuse protection
- Monitor lights ON indicates circuit is powered & protected

#### 51000 Series Branch Panel Mount SPD

- Protects microprocessor-based equipment in homes, condominiums & small businesses; ideal for home protection
- Single high-energy solid state semiconductor surge suppression circuitry per phase
- Real-time diagnostic visual indicators show power & suppression status for each protected phase
- Each phase provided with independent thermal fuse protection
- Standard J-Box metal enclosure with pre-punched knockouts & interior UL approved plastic circuit enclosure can be flush-mounted easily in typical frame construction
- Compatible with Decora Home Controls (see Section B)

### TESTING & CODE COMPLIANCE

- UL Listed 1449
- Meets ANSI/IEEE C62.41 requirements for Categories A, B, C
- **51000 Series Branch Panel Mount**
- CSA Certified
- Backed by a Limited 10-Year Warranty