

Surge Protective Devices

Wired-In Surge Protective Modules

DESCRIPTION	CAT. NO.	RATING	UL 1449 2nd EDITION RATING
1 Phase 3-Wire	51020-WM	20A 120V AC	L-N: 330V
1 Phase 3-Wire, w/DIN-rail mounting	51020-DIN	20A 120V AC	L-G: 400V
1 Phase 3-Wire	51240-WM	20A 240V AC	L-L: 600V
1 Phase 3-Wire, w/DIN-rail mounting	51240-DIN	20A 240V AC	L-G: 600V

Performance Specifications

SPECIFICATION	51020-WM, 51020-DIN	51240-WM, 51240-DIN
Max. single-pulse transient current (8x20µs, Amps peak)	L-N: 26kA L-G: 26kA	L-L: 26kA L-G: 26kA
Rated single-pulse transient energy (10x1000µs, Joules)	L-N: 300J L-G: 320J	L-L: 540J L-G: 560J
Noise rejection @ 50 Ohms 5kHz to 100MHz	-40 TO -50 Normal and Common Mode	-40 TO -50 Normal and Common Mode
Operating Frequency Range	50, 60Hz	50, 60Hz

Communication Protection Modules — Low Voltage



DESCRIPTION	CAT. NO.	RATING	APPLICATION
For communication lines in factory automation; protects robotics, PLC's & I.O.devices	3803-DHP	9.6V DC	Surge suppression for programmable logic devices & other computer-related data network products operating on "Blue Hose" networks
For communication lines in factory automation; protects robotics, PLC's & I.O. devices	3803-485	9.6V DC	Surge suppression for programmable logic devices & other computer-related data network products operating on Allen-Bradley DH-485 data networks
Four 20µa loop signal protectors	3420-009	9V DC	Protects I/O ports utilizing 4-20ma loop signal controls
Four 20µa loop signal protectors	3420-035	35V DC	Protects I/O ports utilizing 4-20ma loop signal controls



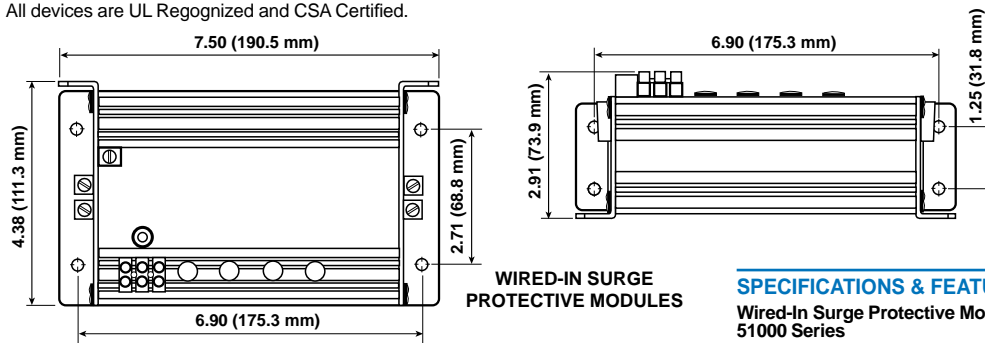
51020-DIN



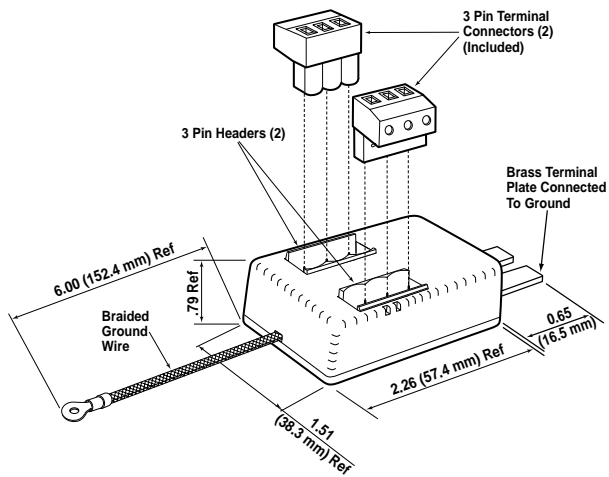
3803-DHP

*The Rockwell Automation Encompass Program references complementary products from third party manufacturers committed to providing quality products and services that enhance the Rockwell Automation Solution products and solve the industrial automation needs of mutual customers.

All devices are UL Recognized and CSA Certified.



WIRED-IN SURGE PROTECTIVE MODULES



CAT. NO. 3803-DHP

SPECIFICATIONS & FEATURES

Wired-In Surge Protective Modules: 51000 Series

- For use by OEMs who wish to include 120/240V surge protection as an equipment feature
- Available with DIN-rail mounting
- Provides surge protection to branch circuits
- Staged multi-component surge suppression circuitry provides clamping envelope that follows AC sine-wave contour
- Primary and secondary suppression circuits are automatic resettable fuse protected
- Diagnostic circuitry, with LEDs, to indicate surge protection status & acoustic alert if surge protection is lost
- If surge protection is lost, power is still provided to load until SPD module is replaced

3803 Series

- For use on Allen Bradley & "Blue Hose" devices
- CE Approved
- Two options for ground connection
- Low clamping voltage
- Withstands surges by programmable logic devices in harsh electromagnetic or geographic areas

Note: See your Leviton representative for a complete listing of Low-Voltage Communication Protection modules for factory automation and industrial control applications.

TESTING & CODE COMPLIANCE

51000 Series

- Recognized to UL Standard 1449
- CSA Certified
- Backed by a Limited Five-Year Warranty

3803 Series

- UL 497B tested
- IEEE C62.36 tested
- CE approved
- Backed by a Limited Five-Year Warranty

MATERIAL CHARACTERISTICS

51020-WM, 51240-WM

Operating Temperature: -40°C to 70°C
Storage Temperature: -20°C to 85°C

3803 Series

Operating Temperature: -10°C to 60°C
Storage Temperature: -40°C to 90°C