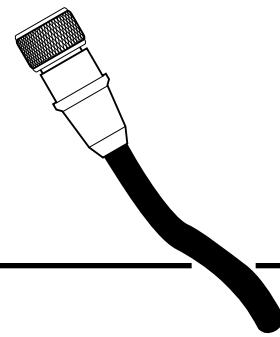


Single Ended Female

Cable Cordsets

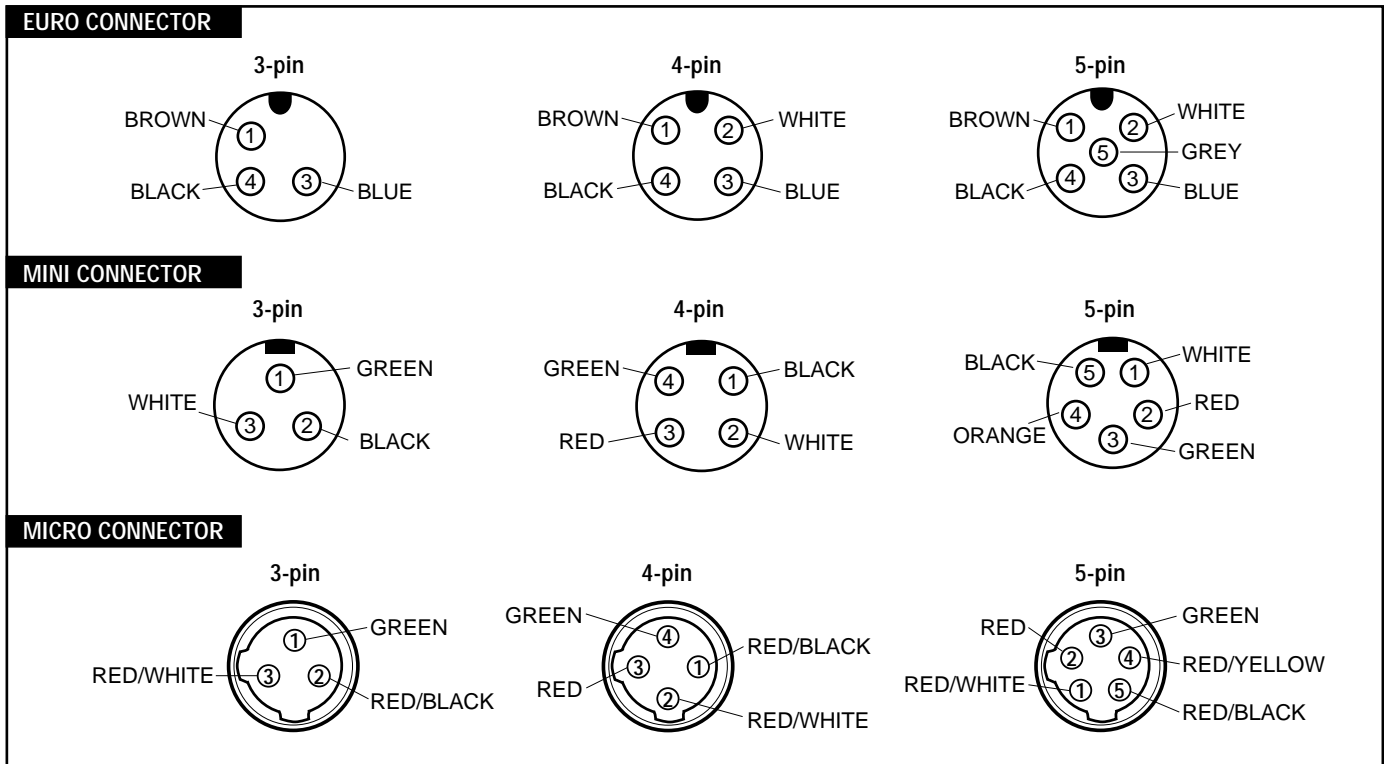


Cable Length	Pin Configuration	Euro Connector		Mini Connector		Micro Connector	
		Model No.	Wire Size	Model No.	Wire Size	Model No.	Wire Size
STRAIGHT CONNECTOR							
6 ft.	3-pin	EE978-52301	22 AWG	EE978-50301	16 AWG	EE978-51301	18 AWG
6 ft.	4-pin	EE978-52401	22 AWG	EE978-50401	16 AWG	EE978-51401	18 AWG
6 ft.	5-pin	EE978-52501	22 AWG	EE978-50501	16 AWG	EE978-51501	18 AWG
12 ft.	3-pin	EE978-52302	22 AWG	EE978-50302	16 AWG	EE978-51302	18 AWG
12 ft.	4-pin	EE978-52402	22 AWG	EE978-50402	16 AWG	EE978-51402	18 AWG
12 ft.	5-pin	EE978-52502	22 AWG	EE978-50502	16 AWG	EE978-51502	18 AWG
90° CONNECTOR							
6 ft.	3-pin	EE978-52311	22 AWG	EE978-50311	16 AWG	EE978-51311	18 AWG
6 ft.	4-pin	EE978-52411	22 AWG	EE978-50411	16 AWG	EE978-51411	18 AWG
6 ft.	5-pin	EE978-52511	22 AWG	EE978-50511	16 AWG	EE978-51511	18 AWG
12 ft.	3-pin	EE978-52312	22 AWG	EE978-50312	16 AWG	EE978-51312	18 AWG
12 ft.	4-pin	EE978-52412	22 AWG	EE978-50412	16 AWG	EE978-51412	18 AWG
12 ft.	5-pin	EE978-52512	22 AWG	EE978-50512	16 AWG	EE978-51512	18 AWG

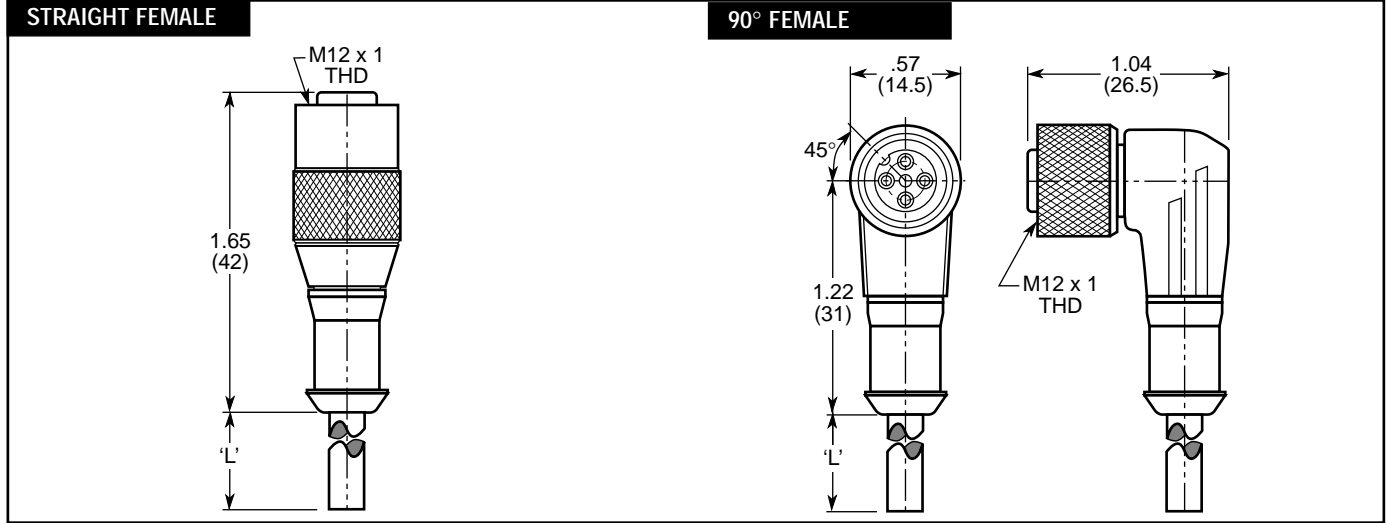
All cables are PVC Jacketed, STO/STOW

*Optional cable material and wire gauges available.
Consult factory for additional information.

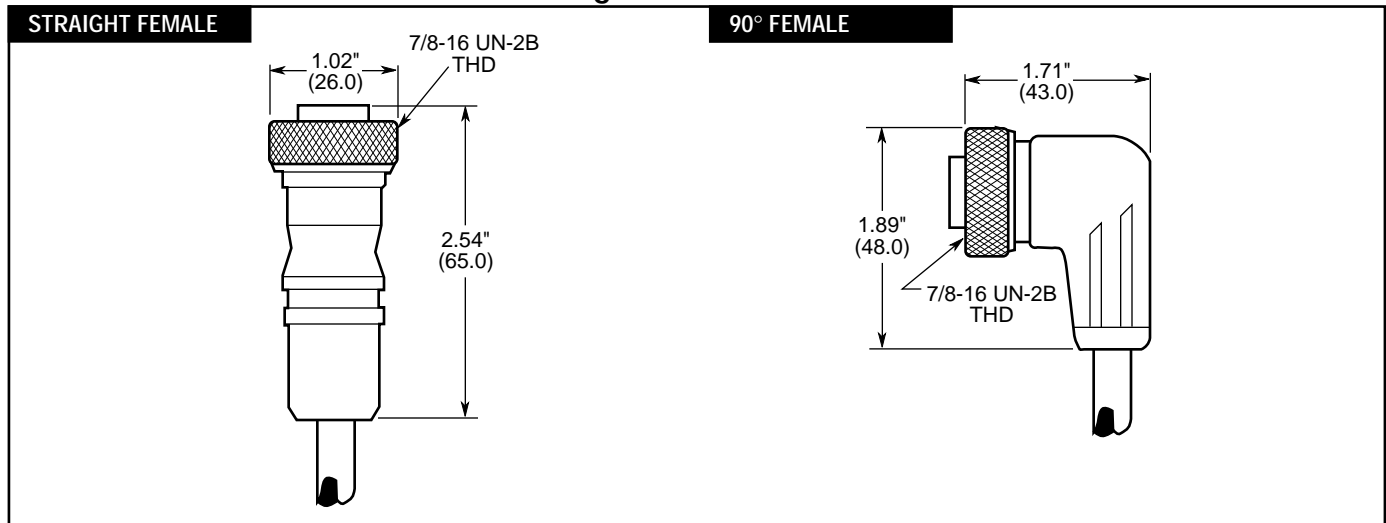
Connector Drawings (Female views shown)



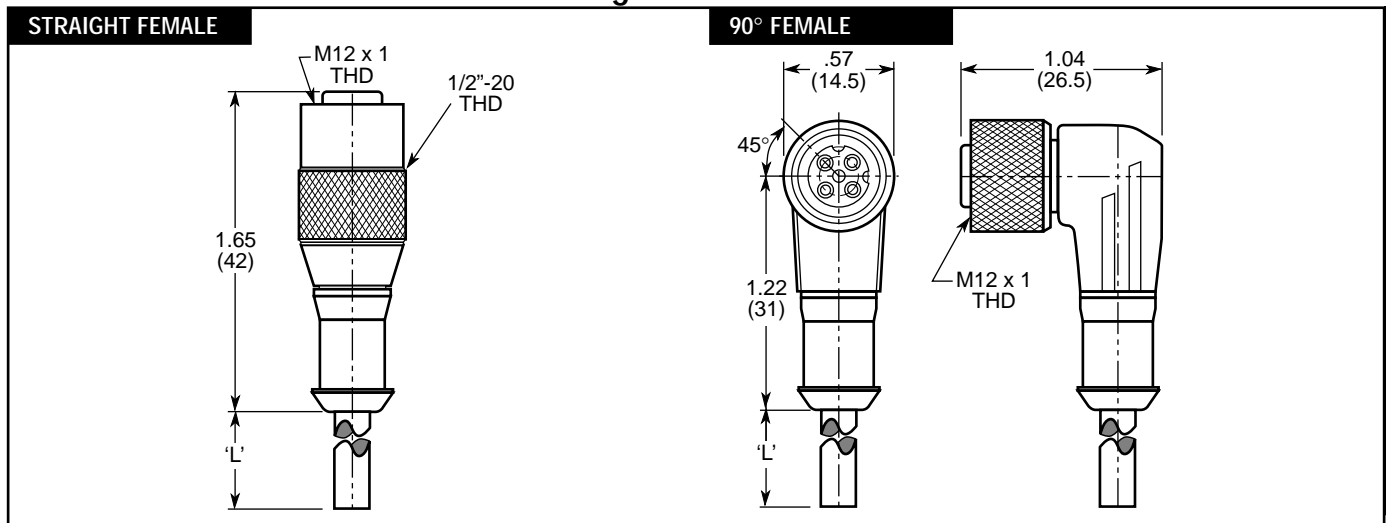
Euro Connectors - Dimensional Drawings



Mini Connectors - Dimensional Drawings



Micro Connectors - Dimensional Drawings

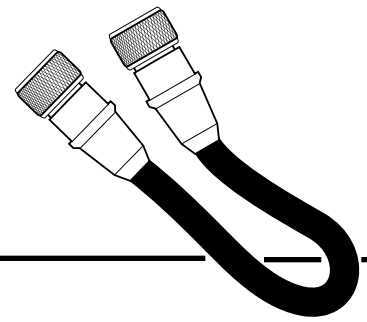


Namco Controls Corporation
 Mayfield Village, OH 44143
 (440) 460-1360 • FAX (440) 460-3800 • namcocontrols.com

For technical assistance, call 1-800-NAMTECH

Double Ended

Cable Cordsets

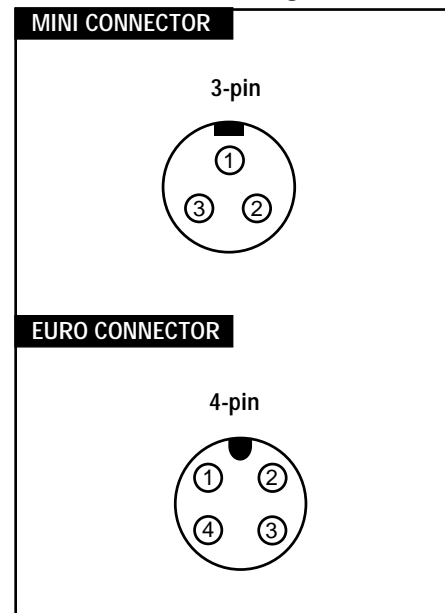


Cordsets

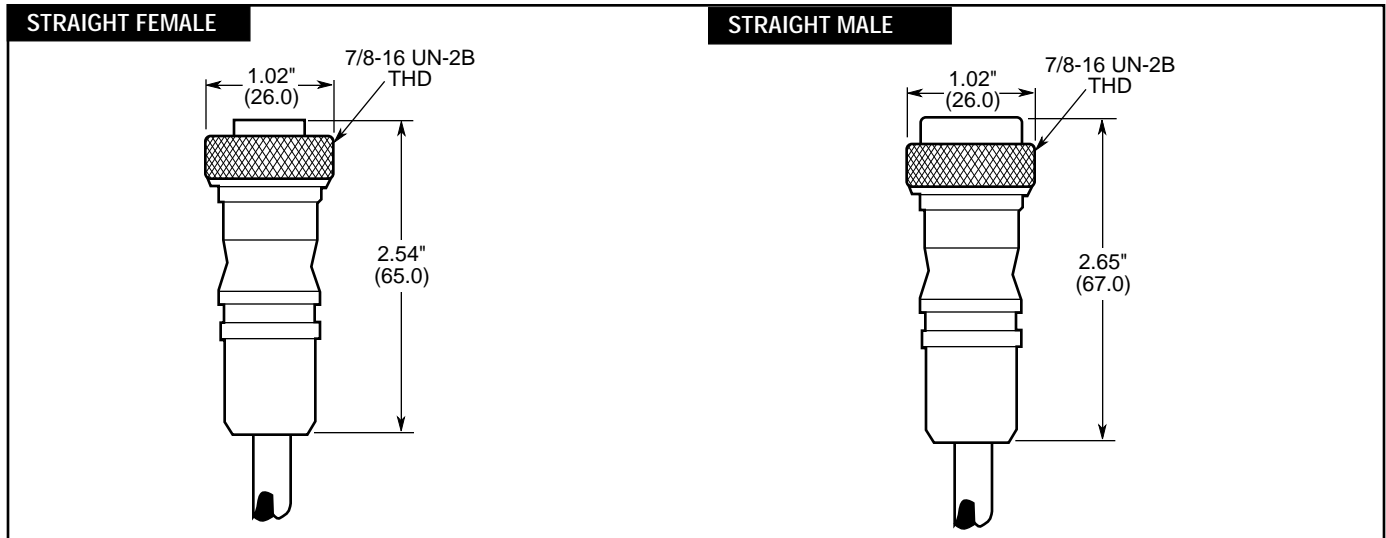
Cable Length	Model Number	Wire Size
DOUBLE-ENDED STRAIGHT EURO / 4-PIN MALE/FEMALE		
1'	PB978-30001	22AWG
3'	PB978-30003	22AWG
6'	PB978-30006	22AWG
9'	PB978-30009	22AWG
12'	PB978-30012	22AWG
DOUBLE-ENDED 90° EURO / 4-PIN STRAIGHT MALE		
1'	PB978-30101	22AWG
3'	PB978-30103	22AWG
6'	PB978-30106	22AWG
9'	PB978-30109	22AWG
12'	PB978-30112	22AWG
20'	PB978-30120	22AWG
DOUBLE-ENDED (2) 90° EURO / 4-PIN MALE/FEMALE		
1'	PB978-30201	22AWG
3'	PB978-30203	22AWG
6'	PB978-30206	22AWG
9'	PB978-30209	22AWG
12'	PB978-30212	22AWG
20'	PB978-30220	22AWG
DOUBLE-ENDED STRAIGHT MINI / 3-PIN MALE/FEMALE		
1'	PB978-30301	18AWG
3'	PB978-30303	18AWG
6'	PB978-30306	18AWG
9'	PB978-30309	18AWG
12'	PB978-30312	18AWG
20'	PB978-30320	18AWG

**Optional cable material, wire gauges and custom lengths available. Consult factory for additional information.*

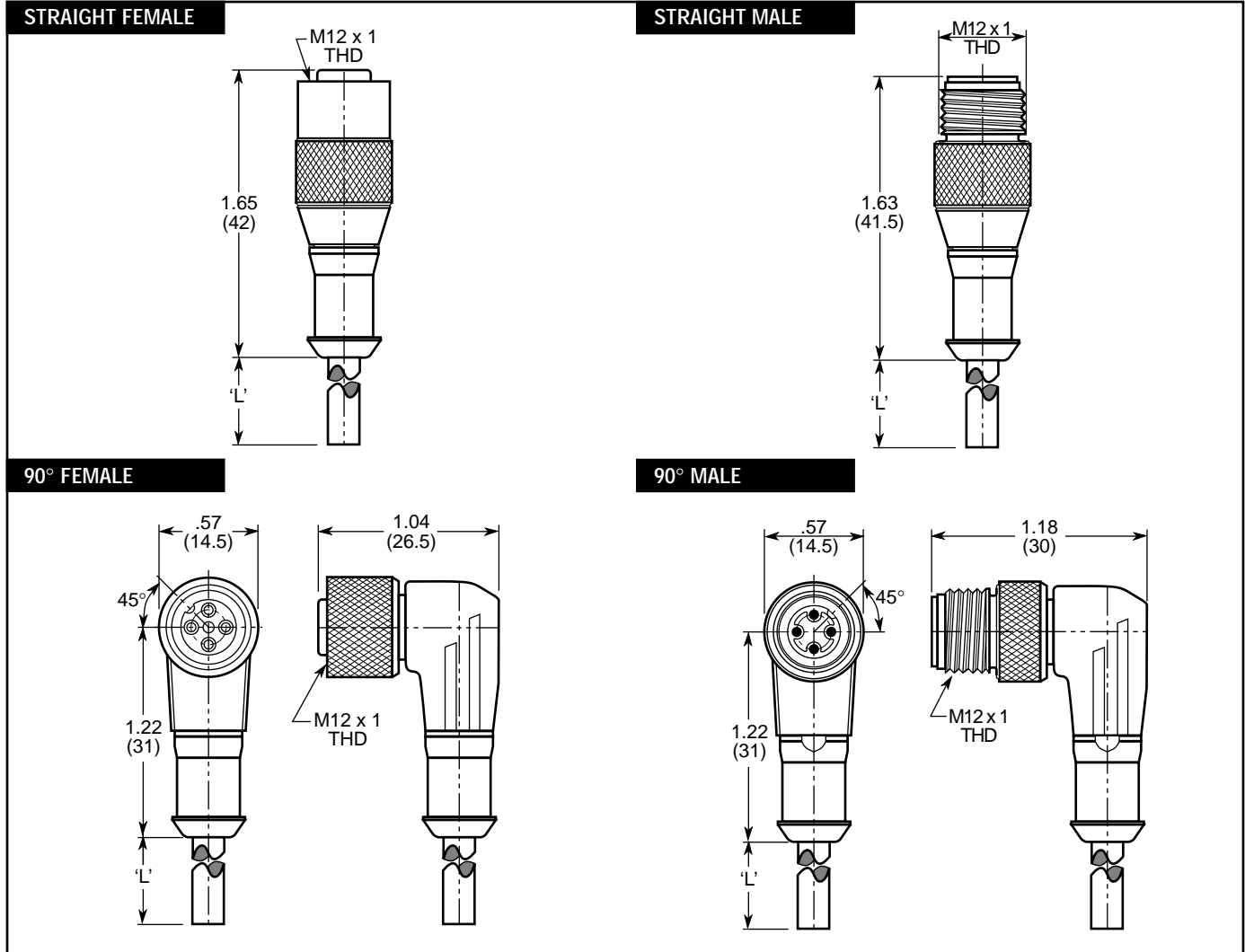
Connector Drawings (Female views shown)



Mini Connectors - Dimensional Drawings



Euro Connectors - Dimensional Drawings



Cables and cordsets are purchased to Namco specifications from multiple sources. As such, styles may vary slightly.



Namco Controls Corporation
Mayfield Village, OH 44143
(440) 460-1360 • FAX (440) 460-3800 • namcocontrols.com

For technical assistance, call 1-800-NAMTECH