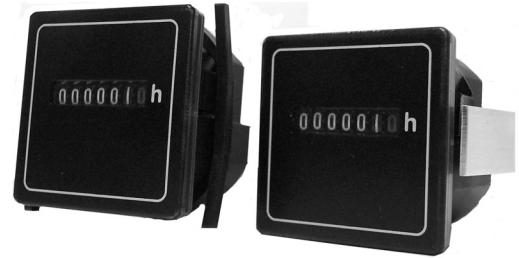


HMD Series

Hour Meters



DESCRIPTION

Honeywell Hobbs HMD Series hour meters offer enhanced accuracy, quiet operation, and attractive styling in an economical design. The display reads to 1/10 of an hour.

FEATURES

- UL recognized
- CE mark

The meters are available in standard case configurations that interchange with most meters on the market today.

POTENTIAL APPLICATIONS

- Irrigation panels
- Generators
- Cleaning equipment
- Compressors
- Panel sub-assemblers

HMD Series

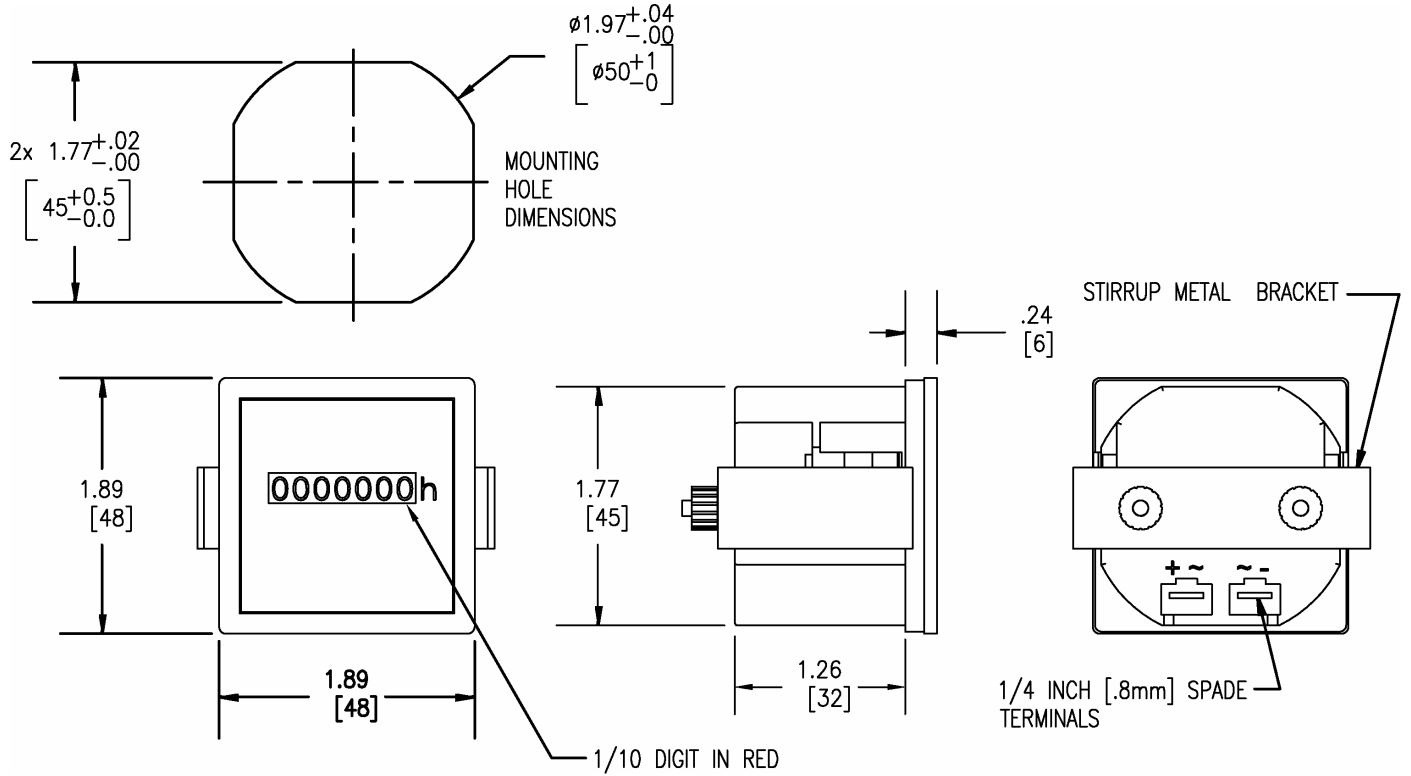
SPECIFICATIONS

Characteristic	Parameter
Operating voltage range	10 Vdc to 80 Vdc
Power consumption	9 mA max.
Operating temperature	-20 °C to 70 °C [-4 °F to 158 °F]
Storage temperature	-25 °C to 70 °C [-13 °F to 158 °F]
Vibration	50 m/s ² , 10 Hz to 150 Hz (IEC 68-2-6)
Shock	490 m/s ² , 11 ms (IEC 68-2-27)
Accuracy	±0.02 % (200 PPM)
Reading accuracy	1/10 hour (6 min)
Weight	52 g [1.83 oz] approximate
Front dimensions	48 mm x 48 mm [1.89 in x 1.89 in]
Panel mounting hole	46 mm x 46 mm, Ø 51 mm [1.81 in x 1.81 in, Ø 2.01 in]
Counting range	0 to 999,999.9 hours
Digit height	4,0 mm [0.16 in]
Digit color	Integers, white; decimals, red
Wheel color	Integers, black; decimals, black
Protection class	Front: IP65; terminals: IP20
Housing color	Black
Face plate	Black with clear viewing lens, printed "h" and logo
Mounting styles	Stirrup or retainer
Termination	0.25 in spade [6,3 mm x 0,8 mm]
Standards	CE, UL recognized

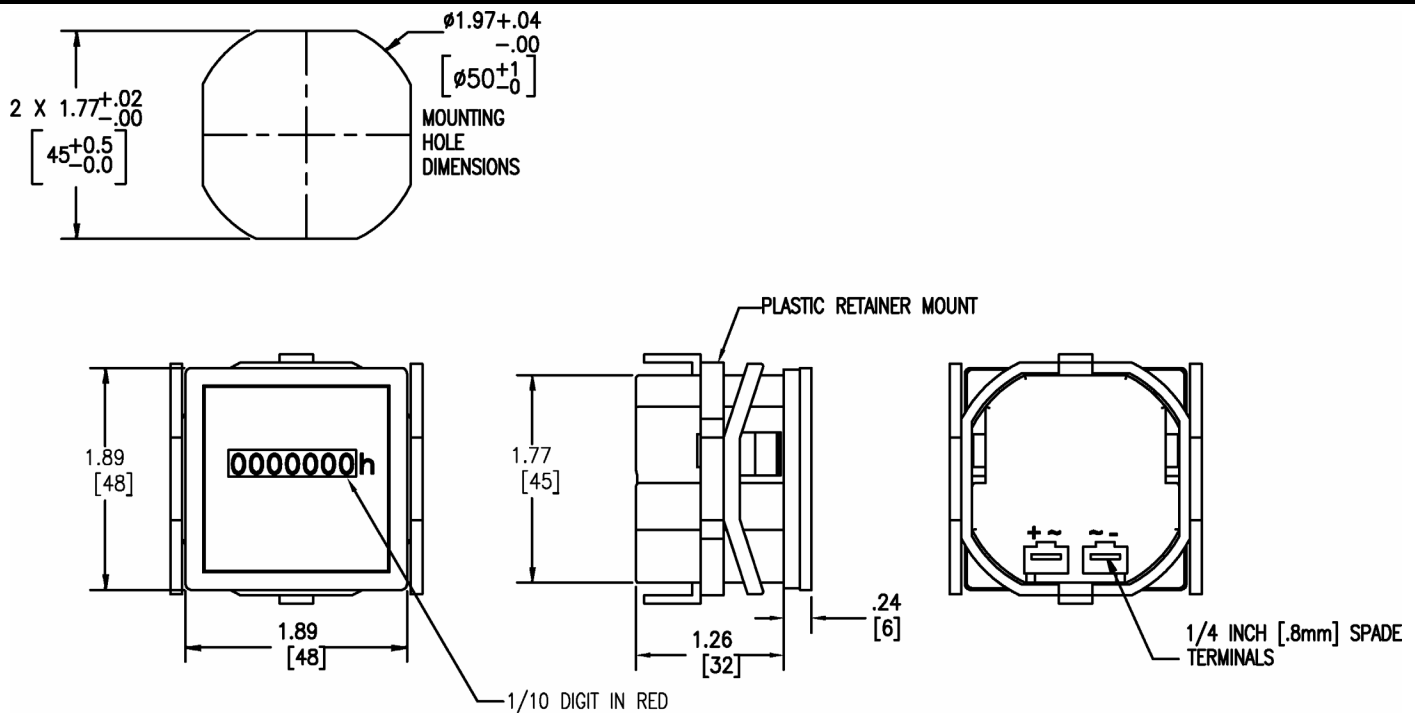
Hour Meters

MOUNTING DIMENSIONS (For reference only. in/[mm])

HMDA46



HMDG46



ORDER GUIDE

Catalog listing	Description
HMDA46	Hour meter, 10 Vdc to 80 Vdc, stirrup mount
HMDG46	Hour meter, 10 Vdc to 80 Vdc, retainer mount

WARNING

PERSONAL INJURY

DO NOT USE these products as safety or emergency stop devices or in any other application where failure of the product could result in personal injury.

Failure to comply with these instructions could result in death or serious injury.

WARNING

MISUSE OF DOCUMENTATION

- The information presented in this product sheet is for reference only. Do not use this document as a product installation guide.
- Complete installation, operation, and maintenance information is provided in the instructions supplied with each product.

Failure to comply with these instructions could result in death or serious injury.

WARRANTY/REMEDY

Honeywell warrants goods of its manufacture as being free of defective materials and faulty workmanship. Honeywell's standard product warranty applies unless agreed to otherwise by Honeywell in writing; please refer to your order acknowledgement or consult your local sales office for specific warranty details. If warranted goods are returned to Honeywell during the period of coverage, Honeywell will repair or replace, at its option, without charge those items it finds defective. **The foregoing is buyer's sole remedy and is in lieu of all other warranties, expressed or implied, including those of merchantability and fitness for a particular purpose. In no event shall Honeywell be liable for consequential, special, or indirect damages.**

While we provide application assistance personally, through our literature and the Honeywell web site, it is up to the customer to determine the suitability of the product in the application.

Specifications may change without notice. The information we supply is believed to be accurate and reliable as of this printing. However, we assume no responsibility for its use.

SALES AND SERVICE

Honeywell serves its customers through a worldwide network of sales offices, representatives and distributors. For application assistance, current specifications, pricing or name of the nearest Authorized Distributor, contact your local sales office or:

E-mail: info.sc@honeywell.com

Internet: www.honeywell.com/sensing

Phone and Fax:

Asia Pacific +65 6355-2828
+65 6445-3033 Fax
Europe +44 (0) 1698 481481
+44 (0) 1698 481676 Fax
Latin America +1-305-805-8188
+1-305-883-8257 Fax
USA/Canada +1-800-537-6945
+1-815-235-6847
+1-815-235-6545 Fax

Sensing and Control

Honeywell

1985 Douglas Drive North

Minneapolis, Minnesota 55422

www.honeywell.com/sensing

006165-1-EN IL50 GLO Printed in USA
February 2007

Copyright © 2007 Honeywell International Inc. All rights reserved.

Honeywell