

Product Facts

- Low cost
- Available in popular 1-through 9-position sizes; in free-hanging and panel-mount versions
- Accepts all AMP Multimate contacts with .062 [1.57] pin diameter: Type III+ and subminiature coaxial contacts
- No mating hardware required
- Housings provide positive latching and polarization
- Discrete wire seals are factory installed, but replaceable
- Square flange design permits bulkhead mounting
- Easy contact insertion and extraction; no special fixturing required
- Rigid thermoplastic material is resistant to most hydrocarbons and will not flex or overstress contacts, UL 94V-2 rated
- Accommodates 18-14 AWG [0.8-2 mm²] wires; .080 to .135 [2.03 to 3.43] insulation diameters
- Machine applied terminations provide for highest production rates at lowest applied costs
- Recognized under the Component Program of Underwriters Laboratories Inc., File No. E28476 
- Produced under a Quality Management System certified to ISO 9001 

A copy of the certificate is available upon request

Technical Documents:

Product Specifications

108-10030—Connectors
108-10028—Contacts

Technical Report

P207-78—Versatility in a Sealed Connector

Instruction Sheet

408-7900—Econoseal Connectors



AMP Econoseal Connectors fill a growing need for small, inexpensive sealed circular connectors, especially for the automotive, trucking, RV (recreational vehicle) and off-road equipment industries. They eliminate many problems inherent to soft rubber sealed connectors, such as difficulty in assembly, electrical failures due to flexing, and difficulty in mating and unmating.

For optimum versatility, Econoseal Connectors employ Multimate contact cavities, offering a choice of reliable AMP Multimate Type III+ contacts for single-conductor wire and

AMP subminiature COAXICON contacts for coaxial terminations.

Connectors are available in a wide range of popular sizes, from 1 to 9 positions, and with housing styles for free-hanging and panel-mount applications. Both the front and back of the housing have numbered contact cavities. Plug housings feature a retention ring with gripping ribs, a shallow mating face, conductor seals, as well as a sealing rim. Receptacle housings have two locking tabs, polarizing slots, a deep mating face, conductor seals and a peripheral sealing ring.

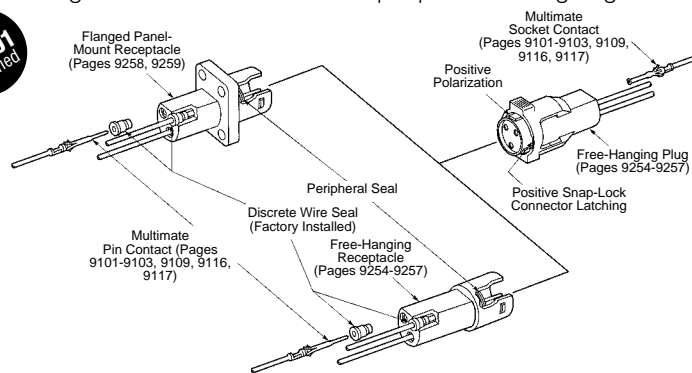
Performance Characteristics:

- Raintightness** — 75 meghoms min. insulation resistance per UL 514
- Insulation Resistance** — 75 meoghms (min.)
- Dielectric Withstanding Voltage (High Potential)** — 1200 volts, rms
- Operating Temperature Range** — -55°C to +105°C
- Contact Retention** — 10 lb [44 N] min.
- Contact Durability** — 500 cycles*, mating and unmating
- Housing Durability** — 50 cycles, mating and unmating
- Maintenance Aging** — Contacts and wire seals removed and reinserted 5 times
- Vibration** — 10 to 500 Hz
- Mechanical Shock** — 50 Gs
- Thermal Shock** — 10 cycles, -55°C to +105°C
- Temperature Life** — 200 hr. @ 105°C
- Fluid Resistance** — Gasoline, diesel fuel, motor oil, antifreeze coolant, brake fluid and transmission fluid.

*500 cycles with gold plated contacts; 250 cycles with tin plated contacts.

Material Specifications:

- Housings** — Thermoplastic, black
- Discrete Wire Seals and Peripheral Seals** — Elastomer, black

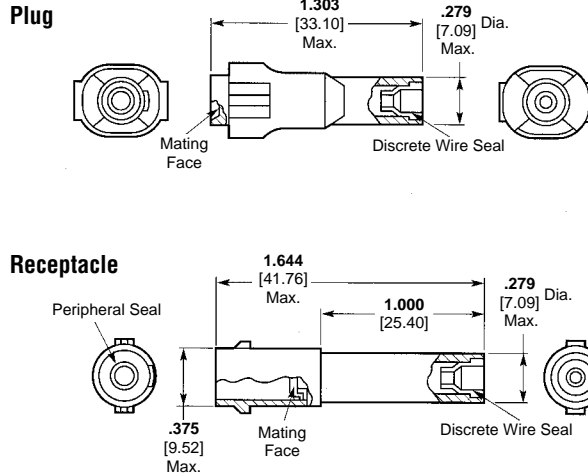


For complete product information, order Catalog 82057

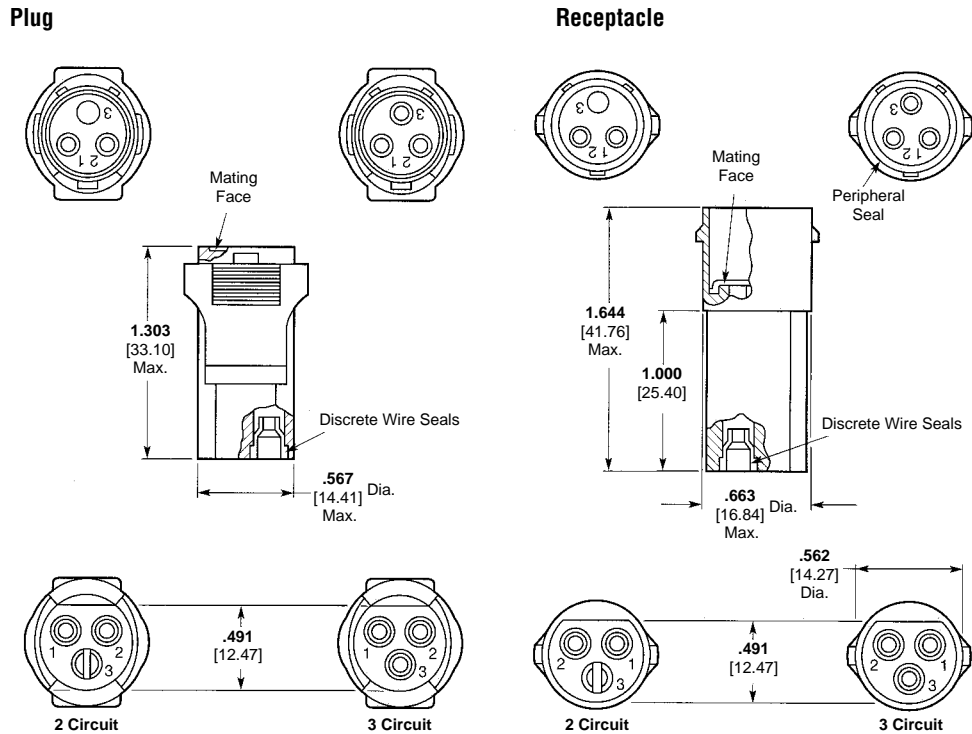
Courtesy of Steven Engineering, Inc. • 230 Ryan Way, South San Francisco, CA, 94080-6370 • Main Office: (650) 588-9200 • Outside Local Area: (800) 258-9200 • www.stevenengineering.com

Free-Hanging Connectors

Single Circuit Housings



2- and 3-Circuit Housings



Notes:

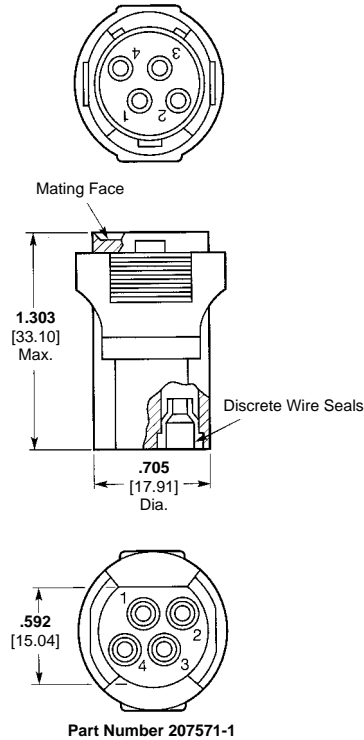
- Housing material is black thermoplastic.
- Plugs accept socket contacts; receptacles accept pin contacts.
All contacts must be purchased separately: Multimate Contacts
Type III+ (18-14 AWG)—pages 9101-9103, 9109
Subminiature Coaxial—pages 9116, 9117
- Discrete wire seals are factory installed, but can be replaced.
Use **Part Number 207565-2** when ordering individual discrete wire seals.

No. of Positions	Plug Part Numbers	Receptacle Part Numbers	Plug also Mates with Flanged Receptacle Part Numbers
1	207901-1	207902-1	207982-1 (page 9258)
2	207845-1	207846-1	207853-1 (page 9258)
3	207567-1	207563-1	207807-1 (page 9258)

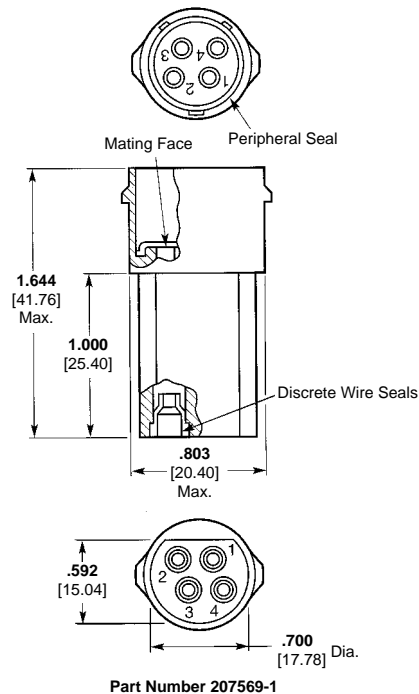
For complete product information, order Catalog 82057

4-Circuit Housings

Plug



Receptacle



Notes:

- Housing material is black thermoplastic.
- Plugs accept socket contacts; receptacles accept pin contacts.
All contacts must be purchased separately:
Multimate Contacts
Type III+ (18-14 AWG)—pages 9101-9103, 9109
Subminiature Coaxial—pages 9116, 9117
- Discrete wire seals are factory installed, but can be replaced.
Use **Part Number 207565-2** when ordering individual discrete wire seals.
- Plug shown above also mates with flanged panel mount receptacle, Part Number 207808-1 (page 9258).

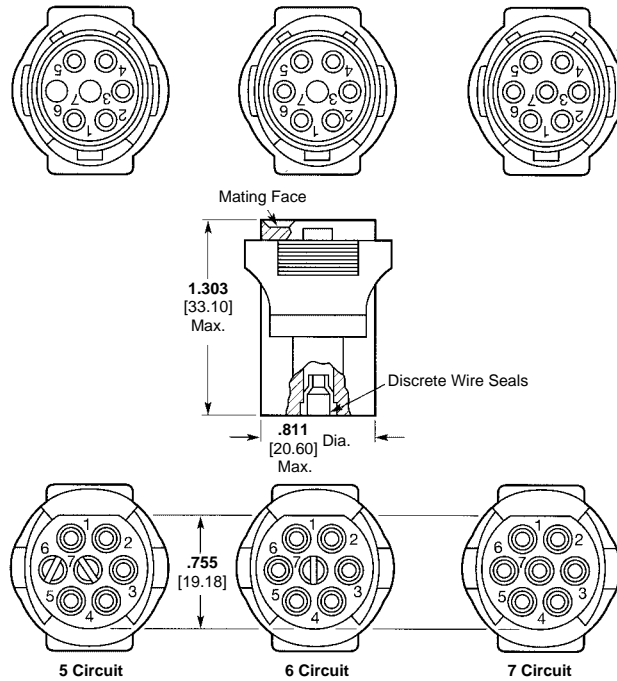
For complete product information, order Catalog 82057

Courtesy of Steven Engineering, Inc. • 230 Ryan Way, South San Francisco, CA, 94080-6370 • Main Office: (650) 588-9200 • Outside Local Area: (800) 258-9200 • www.stevenengineering.com

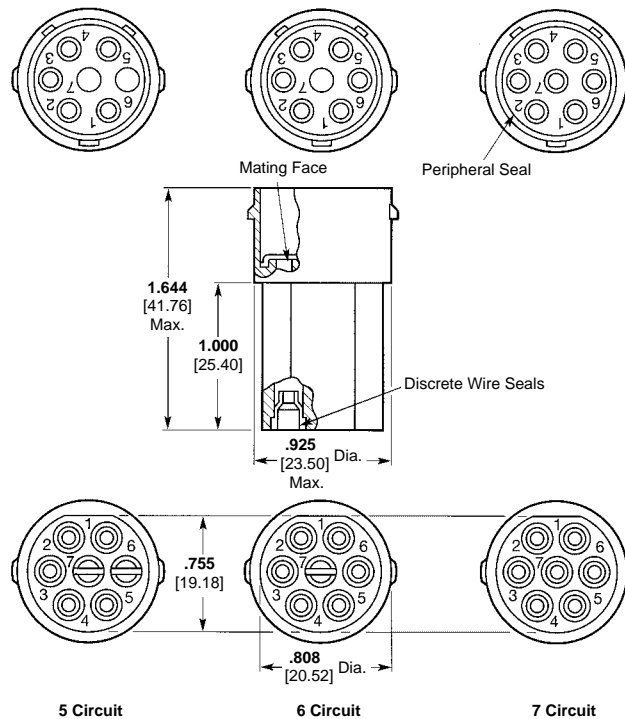
Free-Hanging Connectors

5-, 6- and 7-Circuit Housings

Plug



Receptacle



Notes:

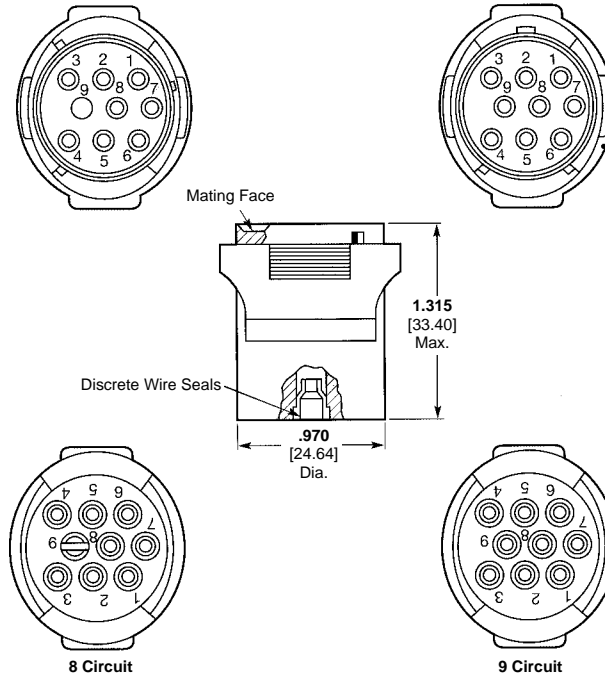
- Housing material is black thermoplastic.
- Plugs accept socket contacts; receptacles accept pin contacts.
All contacts must be purchased separately:
Multimate Contacts
Type III+ (18-14 AWG)—pages 9101-9103, 9109
Subminiature Coaxial—pages 9116, 9117
- Discrete wire seals are factory installed, but can be replaced. Use **Part Number 207565-2** when ordering individual discrete wire seals.

No. of Positions	Plug Part Number	Receptacle Part Number
7	207575-1	207573-1

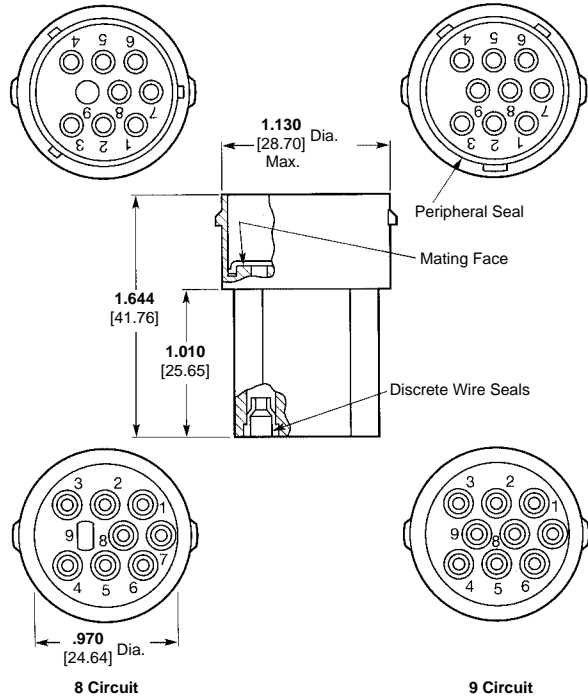
For complete product information, order Catalog 82057

8- and 9-Circuit Housings

Plug



Receptacle



Notes:

1. Housing material is black thermoplastic.
2. Plugs accept socket contacts; receptacles accept pin contacts.

All contacts must be purchased separately:
Multimate Contacts

Type III+ (18-14 AWG)—pages 9101-9103, 9109
 Subminiature Coaxial—pages 9116, 9117

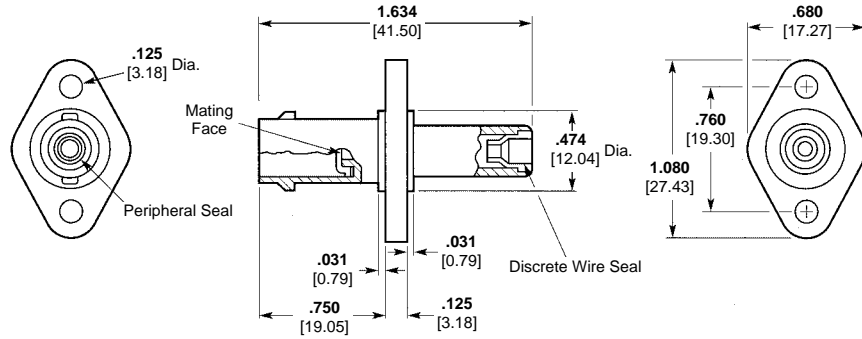
3. Discrete wire seals are factory installed, but can be replaced. Use **Part Number 207565-2** when ordering individual discrete wire seals.

No. of Positions	Plug Part Numbers	Receptacle Part Numbers	Plug also Mates with Flanged Receptacle Part Numbers
8	208678-1	211068-1	208677-1 (page 9259)
9	208530-1	208538-1	208546-1 (page 9259)

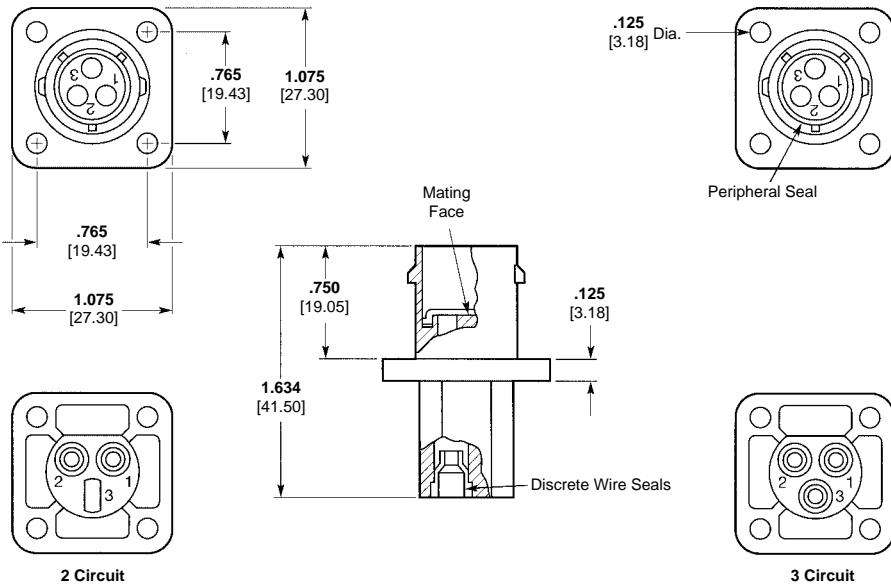
For complete product information, order Catalog 82057

Flanged Connectors — Panel Mount

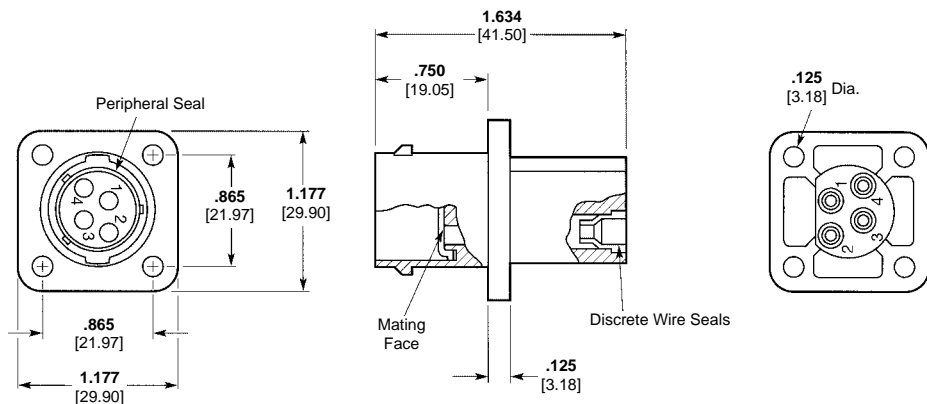
Single Circuit Receptacle Housing



2- and 3-Circuit Receptacle Housings



4-Circuit Receptacle Housing



Notes:

- Housing material is black thermoplastic.
- Housings shown above accept pin contacts. **All contacts may be purchased separately:**

Multimate Contacts

Type III+ (18-14 AWG)—pages 9101-9103, 9109
 Subminiature Coaxial—pages 9116, 9117

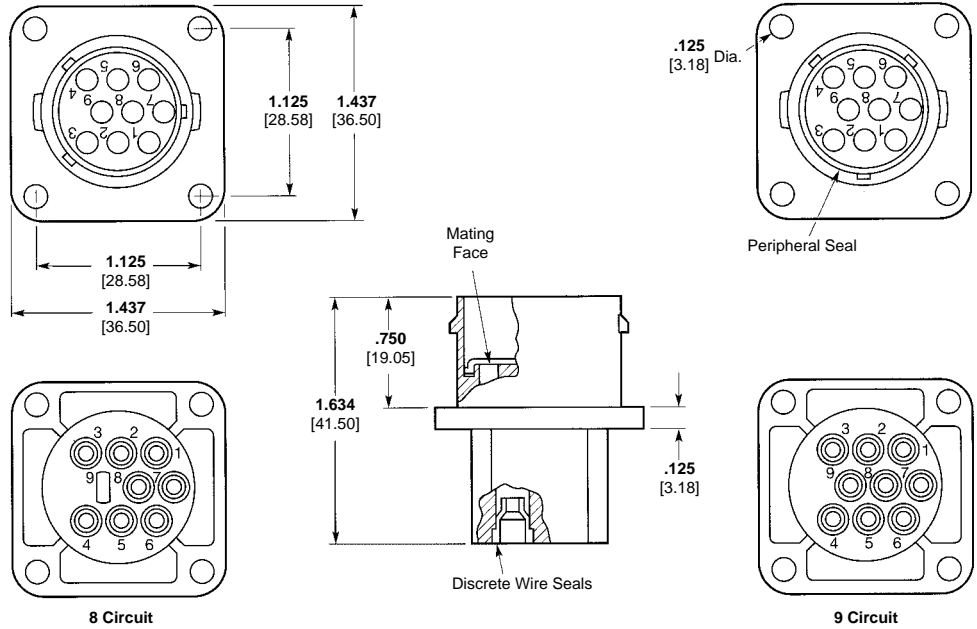
- Discrete wire seals are factory installed, but can be replaced. Use **Part Number 207565-2** when ordering individual discrete wire seals.

No. of Positions	Flanged Receptacle Part Numbers	Flanged Receptacle Mates with Plug Part Numbers
1	207982-1	207901-1 (page 9254)
2	207853-1	207845-1 (page 9254)
3	207807-1	207567-1 (page 9254)
4	207808-1	207571-1 (page 9255)

For complete product information, order Catalog 82057

Flanged Connectors — Panel Mount

8- and 9-Circuit Receptacle Housings



Notes:

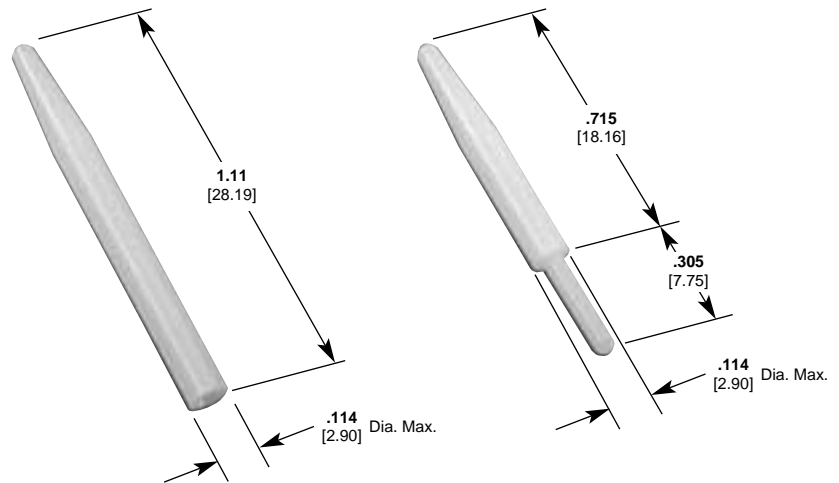
- Housing material is black thermoplastic.
- Plugs accept socket contacts; receptacles accept pin contacts. **All contacts may be purchased separately:**
Multimate Contacts
 Type III+ (18-14 AWG)—pages 9101-9103, 9109
 Subminiature Coaxial—pages 9116, 9117
- Discrete wire seals are factory installed, but can be replaced. Use **Part Number 207565-2** when ordering individual discrete wire seals.

No. of Positions	Flanged Receptacle Part Numbers	Flanged Receptacle Mates with Plug Part Numbers
8	208677-1	208678-1 (page 9257)
9	208546-1	208530-1 (page 9257)

Assembly Accessories

Seal Protectors

Recommended to aid contact insertion through the wire entry seal. They are reusable.



Part Number 208337-1
Insert Pins

Part Number 208338-1
Insert Sockets

For complete product information, order Catalog 82057

Engineering Notes

