

Tact Switches, 6 x 6mm, Through Hole

MATERIAL SPECIFICATIONS:

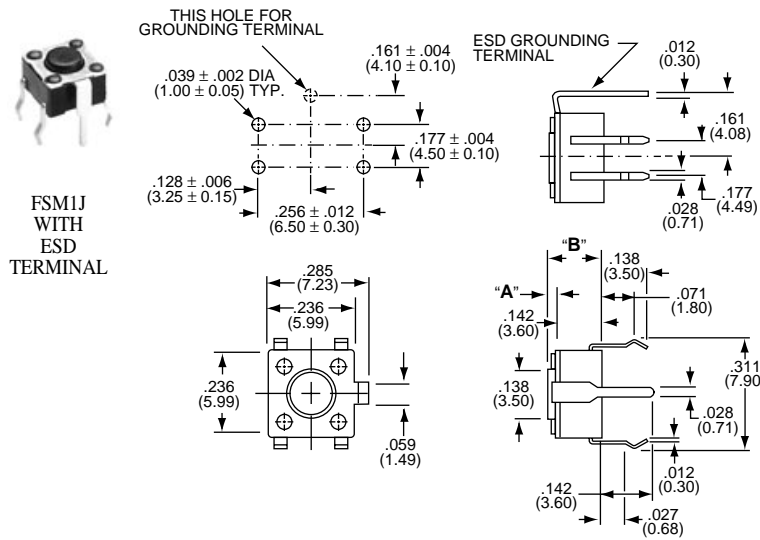
ContactsCopper alloy, silver plate
 Case.....Polyamide
 Actuator ButtonPolyacetal Resin
 FrameSteel, tin plate
 TerminalsCopper alloy, silver plate

TYPICAL PERFORMANCE CHARACTERISTICS:

Contact Rating50 mA @ 12 VDC
 Initial Contact Resistance100 Milliohms max.
 Insulation Resistance100 Megohms min. @ 100 VDC
 Dielectric Strength250 VAC
 Actuation Force160 Grams AVG (STD.)
 Actuator Travel......012" (0,3)
 Electrostatic Discharge
 w/ESD Ground Terminal5Kv w/no discharge
 Life Expectancy100,000 Cycles

ENVIRONMENTAL SPECIFICATIONS

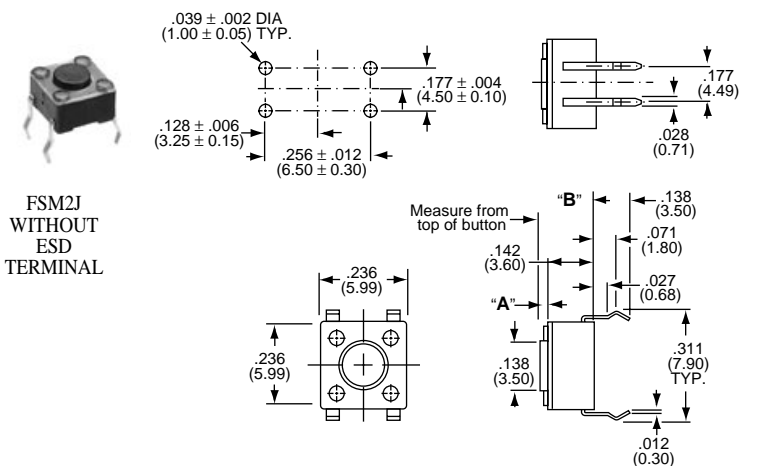
Operating Temperature.....-4°F to +158°F (-20°C to +70°C)
 Storage Temperature.....-22°F to +176°F (-30°C to +80°C)



6 x 6 mm

Type		
SPST	Off	(On)
	(On) indicates momentary position.	

Part Number	Dim. A	Dim B	Button Color
FSM1J	.028" (0,70)	.169" (4,30)	Black
FSM3J	.055" (1,40)	.196" (5,00)	Black
FSM5J	.134" (3,40)	.276" (7,00)	Blue
FSM7J	.232" (5,90)	.374" (9,50)	Black
FSM9J	.146" (3,70)	.287" (7,30)	Ivory
FSM11J	.173" (4,40)	.315" (8,00)	White
FSM13J	.370" (9,40)	.512" (13,00)	Black
FSM15J	.527" (13,40)	.669" (17,00)	Black
FSM17J	.193" (4,90)	.335" (8,51)	Black

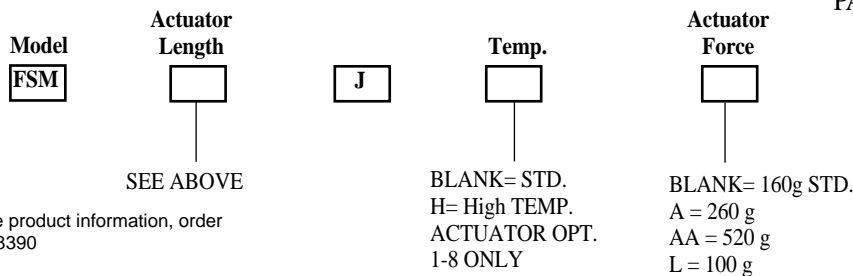


6 x 6 mm

Type		
SPST	Off	(On)
	(On) indicates momentary position.	

Part Number	Dim. A	Dim B	Button Color
FSM2J	.028" (0,70)	.169" (4,30)	Black
FSM4J	.055" (1,40)	.196" (5,00)	Black
FSM6J	.134" (3,40)	.276" (7,00)	Blue
FSM8J	.232" (5,90)	.374" (9,50)	Black
FSM10J	.146" (3,70)	.287" (7,30)	Ivory
FSM12J	.173" (4,40)	.315" (8,00)	White
FSM14J	.370" (9,40)	.512" (13,00)	Black
FSM16J	.527" (13,40)	.669" (17,00)	Black
FSM18J	.193" (4,90)	.335" (8,51)	Black

PART NUMBERING SEQUENCE



For complete product information, order Catalog 1308390

Courtesy of Steven Engineering, Inc. • 230 Ryan Way, South San Francisco, CA, 94080-6370 • Main Office: (650) 588-9200 • Outside Local Area: (800) 258-9200 • www.stevenengineering.com

Tact Switches, 6 x 6mm, Right Angle

MATERIAL SPECIFICATIONS:

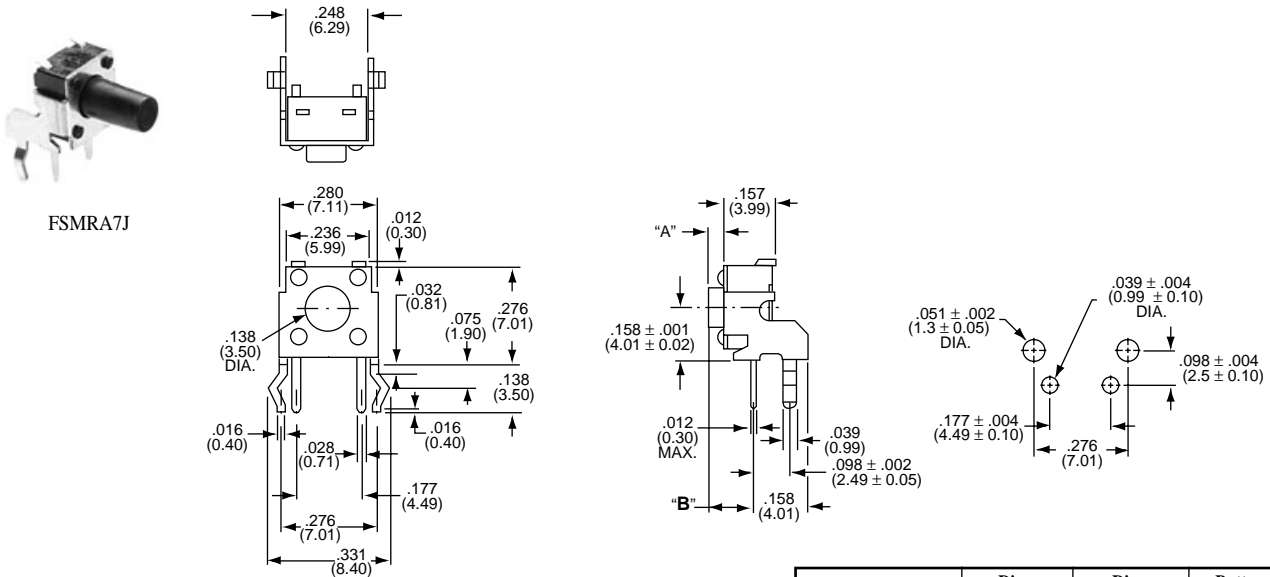
ContactsCopper alloy, silver plate
 Case.....Polyamide
 Actuator ButtonPolyacetal Resin
 FrameCopper alloy, tin plate
 TerminalsCopper alloy, silver plate

TYPICAL PERFORMANCE CHARACTERISTICS:

Contact Rating50 mA @ 12 VDC
 Initial Contact Resistance100 Milliohms max.
 Insulation Resistance100 Megohms min. @ 100 VDC
 Dielectric Strength250 VAC
 Actuation ForceSee Below
 Actuator Travel......012" (0,3)
 Life Expectancy100,000 Cycles

ENVIRONMENTAL SPECIFICATIONS

Operating Temperature..... -4°F to +158°F (-20°C to + 70°C)
 Storage Temperature.....-22°F to +176°F (-30°C to +80°C)

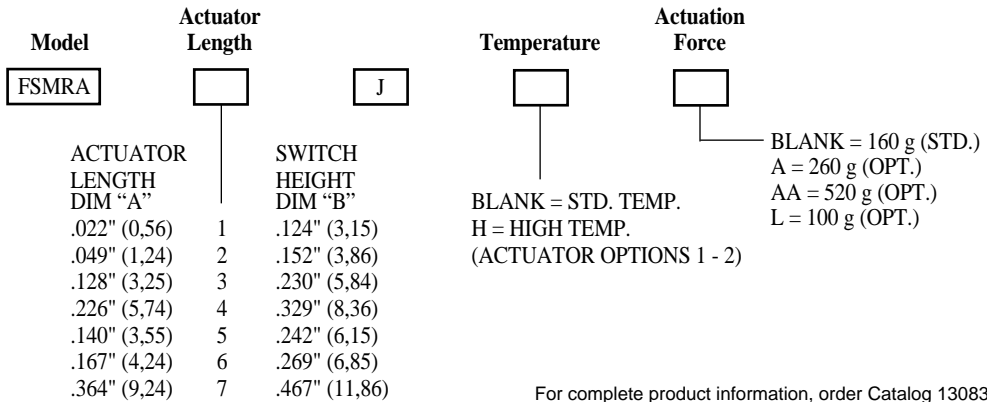


FSMRA7J

Type	Off	On
SPST		
(On) indicates momentary position.		

Part Number	Dim. A	Dim B	Button Color
FSMRA1J	.022" (0,55)	.124" (3,15)	Black
FSMRA2J	.049" (1,25)	.152" (3,86)	Black
FSMRA3J	.128" (3,25)	.230" (5,84)	Blue
FSMRA4J	.226" (5,74)	.329" (8,36)	Black
FSMRA5J	.140" (3,55)	.242" (6,15)	Ivory
FSMRA6J	.167" (4,25)	.269" (6,85)	White
FSMRA7J	.364" (9,25)	.467" (11,86)	Black

PART NUMBERING SEQUENCE



CONSULT FACTORY FOR OTHER OPTIONS

For complete product information, order Catalog 1308390



Switches

Tact Switches, 12 x 12mm, Flush or Extended Actuators

MATERIAL SPECIFICATIONS:

ContactsCopper alloy, silver plate
 Case.....Polyester
 Actuator ButtonPolyacetal Resin
 FramePolyamide
 TerminalsCopper alloy

TYPICAL PERFORMANCE CHARACTERISTICS:

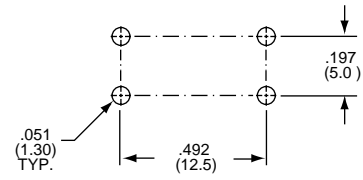
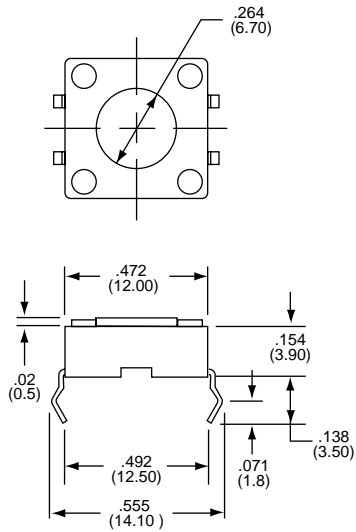
Contact Rating50 mA @ 12 VDC
 Initial Contact Resistance100 Milliohms max.
 Insulation Resistance100 Megohms min. @100 VDC
 Dielectric Strength250 VAC
 Actuation Force160 Grams AVG.
 Actuator Travel......012"(0.3)
 Life Expectancy100,000 cycles

ENVIRONMENTAL SPECIFICATIONS

Operating Temperature.....4°F to +158°F (-20°C to +70°C)
 Storage Temperature.....-22°F to +176°F (-30°C to +80°C)



FSM100

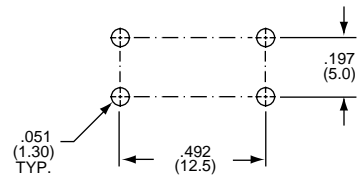
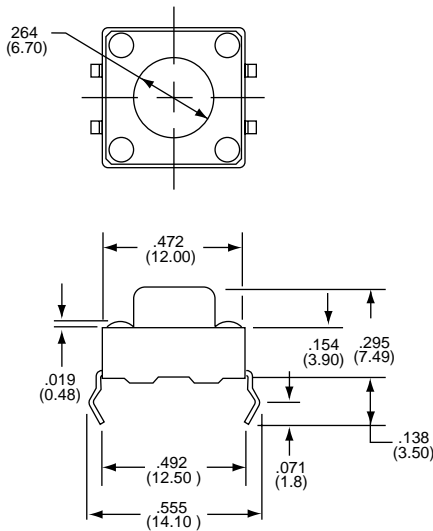


Model	Type		
FSM100	SPST	Off	(On)

(On) indicates momentary position.



FSM101



Model	Type		
FSM101	SPST	Off	(On)

(On) indicates momentary position.

For complete product information, order Catalog 1308390