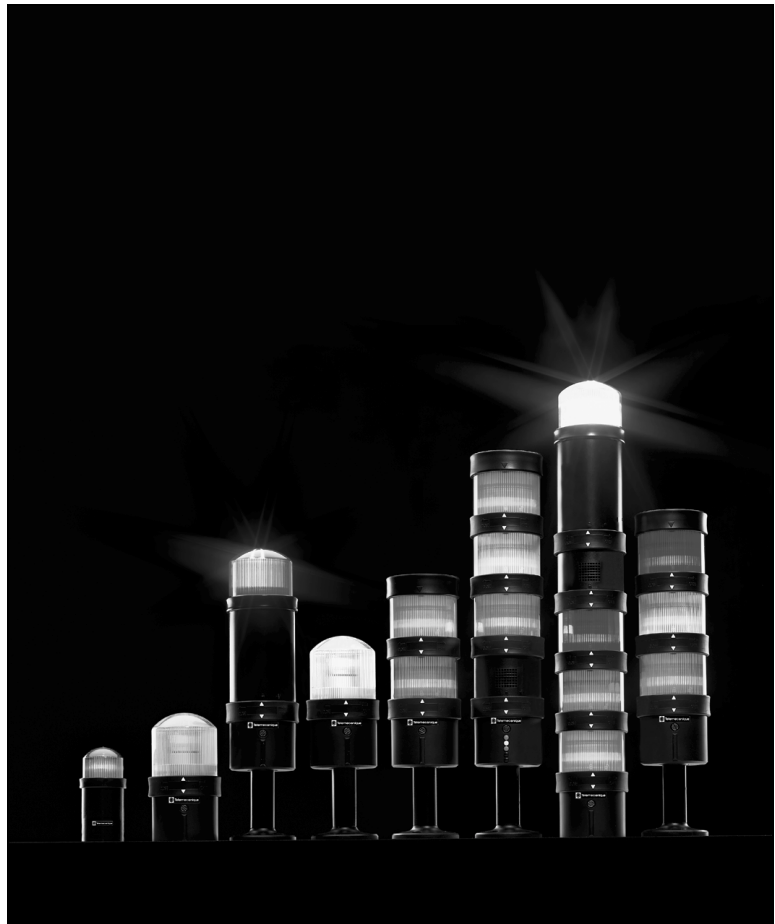


# AS-i Interface for XVB Illuminated Beacons and Indicating Banks

Class 8340



*Schneider Electric Brands*

## CONTENTS

| Description                                  | Page |
|--|------|
| Product Description.....                     | 3    |
| Assembly with the AS-i Interface Module..... | 2    |
| Specifications .....                         | 4    |



# AS-i Interface for XVB Illuminated Beacons and Indicator Banks Assembly with the AS-i Interface Module

## Illuminated Beacons

The complete unit includes the following:

1. A base
2. A colored lens unit

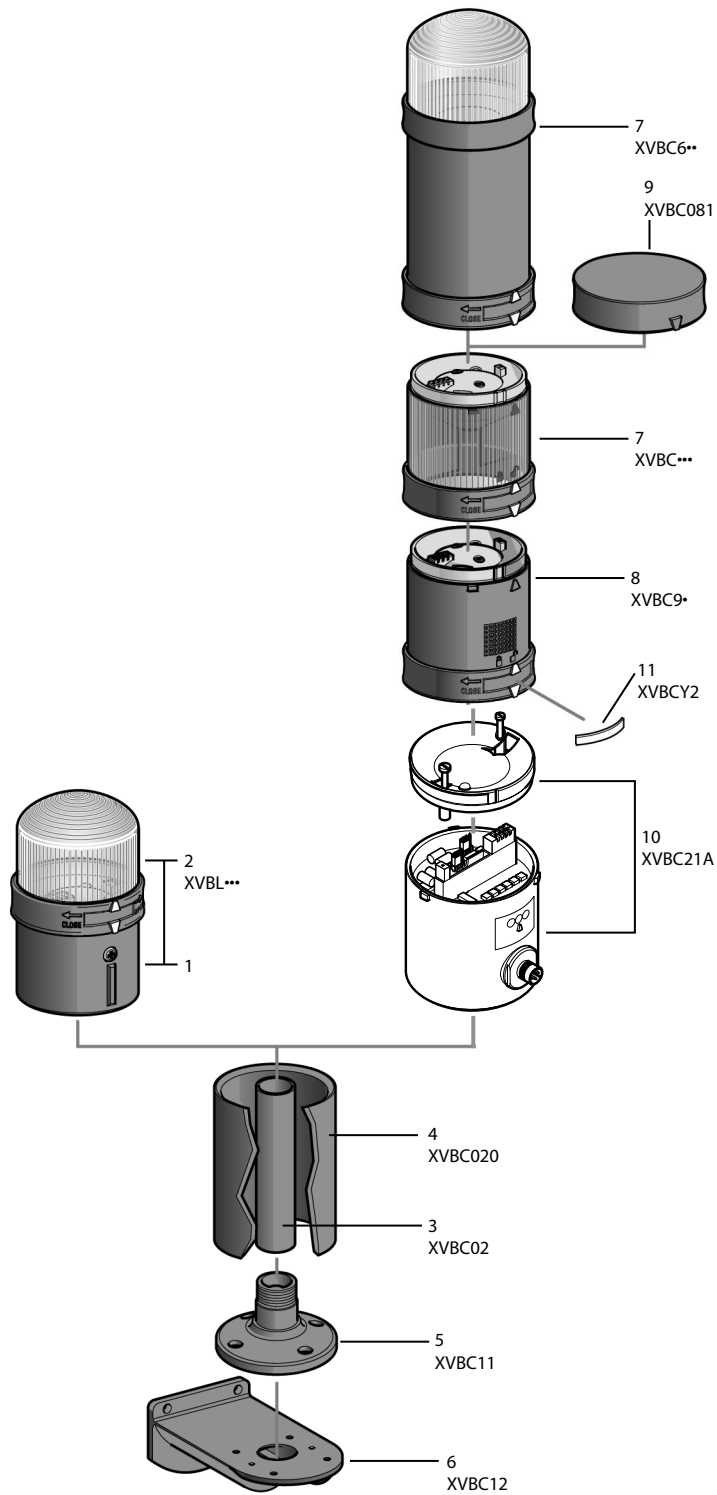
Additional accessories include:

3. A support tube
4. Support tube concealment cover
5. Tulip for use with tube for mounting on a horizontal surface
6. Wall mounting bracket

## Stackable Indicating Banks

It may include the following:

3. Support tube
4. Support tube concealment cover
5. Tulip for use with tube for mounting on a horizontal surface
6. Wall mounting bracket
7. One to four colored lens units, and/or
8. An audible sounder unit
9. A top cover, (except with a strobe)
10. AS-i interface module
11. Legends that attach to locking ring of individual signalling units for identification



# AS-i Interface for XVB Illuminated Beacons and Indicator Banks

## General Information

### Illuminated Indicator Bank Interface Module XVBC21A

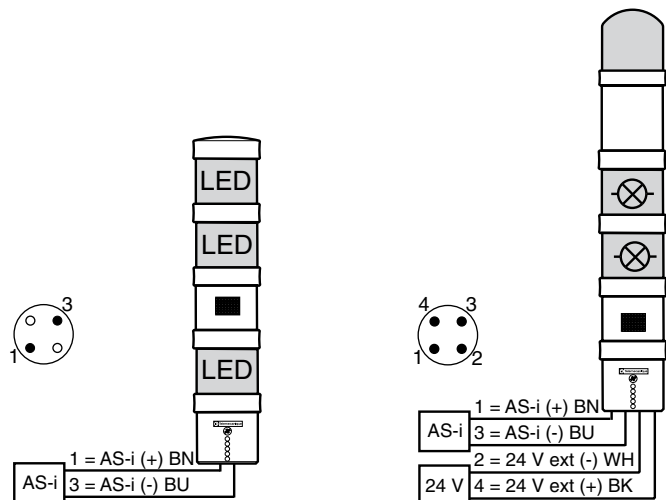
- Illuminated indicator banks are visual or audible signaling units used mainly to indicate machine operation sequences and to check status from a distance. The illuminated units have 360° visibility.
- Application examples include: machine stop–start, no material, call technical staff, fault indication, etc.
- One quick connection to the AS-i control bus via a four-pin M12 connector provides status feedback and control of up to four stack light elements (indicator light, buzzer, etc.).
- For information on the complete offering of XVB stack light components and accessories, ask your local sales office for any of the following documents:
  - Square D Digest
  - Square D Digest Plus
  - Push Buttons and Operator Interface Specifiers Guide (Catalog No. 9001CT0001)
- Diagnostic LED indicators provided for quick system troubleshooting.

### Selection

| Description  | Catalog Number |
|--|----------------|
| AS-i adaptor unit for XVB stack lights (the adaptor must be the lowest unit on the column) | XVBC21A        |

### Connections

An internal jumper allows selection between AS-i bus power and an auxiliary power supply (24 V). The AS-i bus power is for LED indicating lamps. Auxiliary power is recommended for incandescent lamps and strobes.



### Environment

| Product Certifications         | AS-i Association   |
|--------------------------------|--|
| <b>Ambient Air Temperature</b> |  |
| <b>Operating</b>               | +14 to 122 °F (-10 to +50 °C)                            |
| <b>Storage</b>                 | -4 to 158 °F (-20 to +70 °C)                             |
| <b>Degree of Protection</b>    | IP65 (IEC 60529 – NF C 20-010)<br>Type 4X Indoor (UL508) |
| <b>Materials</b>               | Glass-reinforced polyamide and polycarbonate             |
| <b>AS-i Bus Connection</b>     | M12 connector  |



# AS-i Interface for XVB Illuminated Beacons and Indicator Banks Specifications

## Electrical Specifications

| Power Supply                 | From the AS-i bus                           | AS-i bus power plus 24 Vdc auxiliary supply |                                   |
|------------------------------|---|---|-----------------------------------|
|                              | AS-i 24 V                                   | AS-i 24 V                                   | 24 V external (PELV) <sup>1</sup> |
| Voltage Range                | 24–31.6 V                                   | 24–31.6 V                                   | 24–30 V                           |
| Lamp Options                 | LED lamps only                              | LED and incandescent                        |                                   |
| Element Usage                | 4 elements max.<br>(e.g. 3 LEDs + 1 buzzer) | 4 elements max.                             |                                   |
| Current Consumption from Bus | 30 to 230 mA                                | 30 mA                                       | —                                 |
| Output Current               | 200 mA                                      | —   | 2 A                               |
| Short-circuit Protection     | 200 mA                                      | —   | 0.7 A                             |
| Approvals                    | UL File E164353, CSA File LR 44087          |   |                                   |

<sup>1</sup> Protection extra low voltage, according to IEC 947-5-1

## Data Exchange Specifications

| AS-i Profile                | S 7.F        |                  |                |
|-----------------------------|--------------|------------------|----------------|
| Bit Value                   |              | <b>0</b>         | <b>1</b>       |
| Input Data Bits (Status)    | D0 Element 1 | Fault            | Okay           |
|                             | D1 Element 2 | Fault            | Okay           |
|                             | D2 Element 3 | Fault            | Okay           |
|                             | D3 Element 4 | Fault            | Okay           |
| Output Data Bits (Commands) | D0 Element 1 | Off              | On             |
|                             | D1 Element 2 | Off              | On             |
|                             | D2 Element 3 | Off              | On             |
|                             | D3 Element 4 | Off              | On             |
| Parameter Bits              | P0 Element 1 | Blinking when on | Steady when on |
|                             | P1 Element 2 | Blinking when on | Steady when on |
|                             | P2 Element 3 | Blinking when on | Steady when on |
|                             | P3 Element 4 | Blinking when on | Steady when on |

To accomplish a flashing function, do not use flashing indicator lens XVBL4\*. Instead, use the parameter setting bit.

## LED Indicator

| Color | State       | Indication              |
|-------|-------------|-------------------------|
| green | steady-on   | AS-i bus is okay        |
| red   | steady-on   | Bus communication error |
| red   | blinking-on | Peripheral device error |

Square D Company  
8001 Highway 64 East  
Knightdale, NC 27545  
1-888-SquareD  
(1-888-778-2733)  
www.SquareD.com

Schneider Canada Inc.  
19 Waterman Avenue,  
M4B 1 Y2  
Toronto, Ontario  
1-800-565-6699

www.schneider-electric.ca Catalog No. 8340CT0103 July 2001 © 2001 Schneider Electric All Rights Reserved