

Hubs

Class 6660



CONTENTS			
Description	Page	Description	Page
Series A Hubs	2	Box Coupling for RB Devices	4
Series A/L Hubs	2	Series H Hubs	4
Series B Hubs	3		



SQUARE D
GROUPE SCHNEIDER

Hubs

Series A and A/L

Series A Hubs



Series A/L Hubs

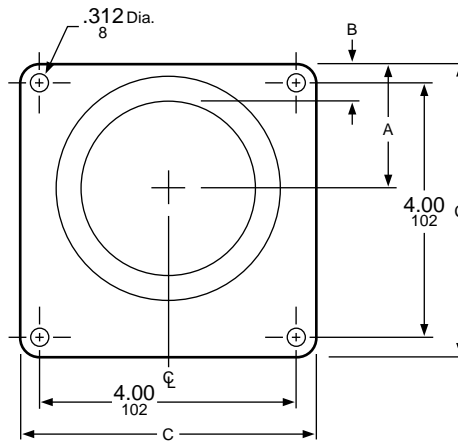
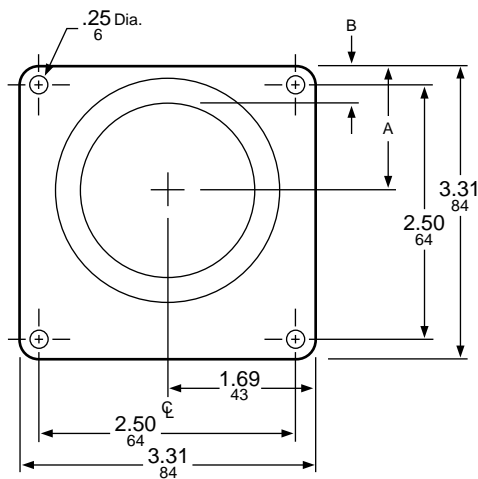


- Equipment with provisions for A Hubs:
 - Individual Meter Sockets, Class 4131
 - Horizontal Ganged Meter Sockets, Class 4121
 - Combination Service Entrance Devices, Class 4119/4120
- Bolt-on hub supplied with four 12-24x1/2 inch slotted hex-washer head screws.

- Equipment with provisions for A/L Hubs:
 - Individual Meter Sockets, Class 4131
 - Horizontal Ganged Meter Sockets, Class 4121
 - Combination Service Entrance Devices, Class 4119/4120
- Bolt-on hub supplied with four 1/4-20x1/2 inch slotted screws.
- Adapter plate required to allow use of "A" hubs on "A/L" size hub openings: catalog number AAP.

Conduit Size	Closing Plate	1"	1¼"	1½"	2"	2½"
Catalog Number	ACP	A100	A125	A150	A200	A250

Conduit Size	Closing Plate	2"	2½"	3"	3½"	4"
Catalog Number	ACPL	A200L	A250L	A300L	A350L	A400L



A Hub Mounting Dimensions

Hub Catalog Number	Conduit Size	"A"		"B"	
		IN	mm	IN	mm
A100	1"	.94	24	.44	11
A125	1¼"	1.00	25	.44	11
A150	1½"	1.25	32	.50	13
A200	2"	1.50	38	.50	13
A250	2½"	1.69	43	.44	11

A/L Hub Mounting Dimensions

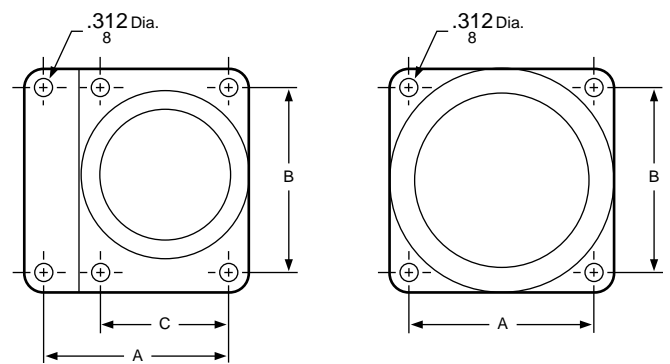
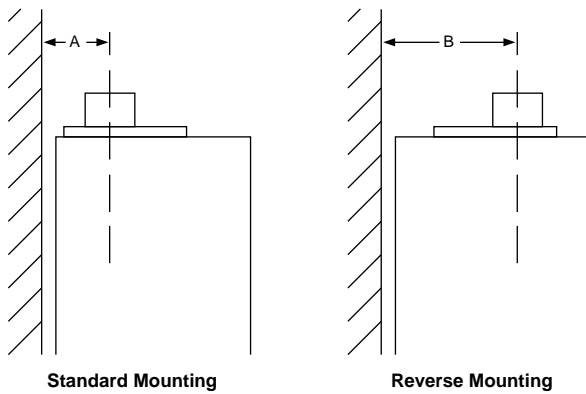
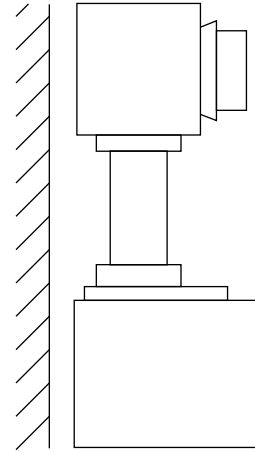
Hub Catalog Number	Conduit Size	"A"		"B"		"C"	
		IN	mm	IN	mm	IN	mm
A200L	2"	1.94	49	.94	24	4.63	118
A250L	2½"	2.00	51	.88	22	4.63	118
A300L	3"	2.13	54	.63	16	5.00	127
A350L	3½"	2.38	60	.63	16	5.00	127
A400L	4"	2.50	64	.50	13	5.00	127



Series B Hubs

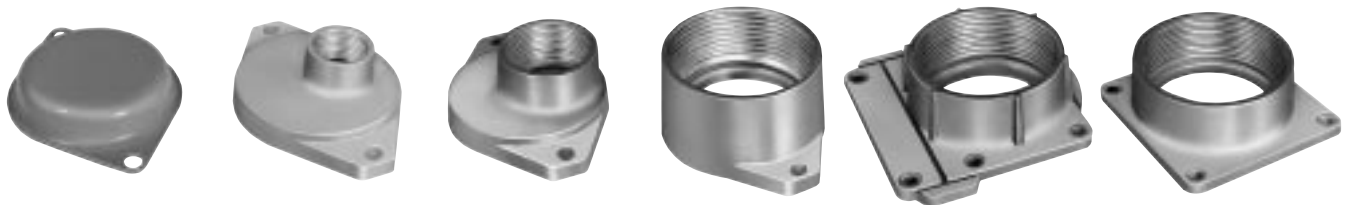
- Equipment with provisions for B hubs (NEMA Type 3R) with "RB" in catalog number:
 - QO load centers, Class 1130
 - Homeline load centers, Class 1170
 - Combination service entrance devices, Class 4119/4120
 - General duty safety switches (30-200A), Class 3130
 - Heavy duty safety switches (30A-200A), Class 3110
 - Double throw switches (30A-200A), Class 3140
 - Circuit breaker enclosures, Class 610
- B hub provisions are available on NEMA Type 3R devices only with "RB" in catalog number.
- Devices with B hub provisions are supplied with closing cap, catalog number BCAP. To mount B hub, discard BCAP and mount hub with screws from closing cap.
- B300, B350, B400 hubs are supplied with gaskets for devices with "R" in catalog number.
- Typical hub adjustment for RB devices

- Off-center conduit thread openings eliminate costly conduit offsets and bends.



Hub Size	Mounting Surface To C/L of Hub Opening							
	Dimension A				Dimension B			
	Minimum		Maximum		Minimum		Maximum	
	IN	mm	IN	mm	IN	mm	IN	mm
¾, 1¼"	1.13	29	1.50	38	2.00	51	2.38	60
1½"	1.25	32	1.63	41	1.88	48	2.25	57
2"	1.50	38	1.88	48	1.63	41	2.00	51
2½"	1.75	44	1.75	44	1.75	44	1.75	44

Hub Size	Hub Catalog No.	Mounting Dimensions					
		A		B		C	
		IN	mm	IN	mm	IN	mm
3"	B300	4.13	105	4.13	105	2.63	67
3½"	B350	4.13	105	4.13	105
4"	B400	4.13	105	4.13	105



Conduit Size	Closing Cap	¾"	1"	1¼"	1½"	2"	2½"	3"	3½"	4"
Catalog Number	B-CAP	B075	B100	B125	B150	B200	B250	B300▲	B350	B400

▲ B300 requires 4" (102mm) deep box and will fit knock-out for 2½" conduit.
 Closing cap (catalog number B-CAP) is provided factory installed on each device having "RB" suffix.
 Hubs, thru size 2½" can be directly installed on "RB" devices. Devices requiring 3" or larger hubs must have holes cut in the field.

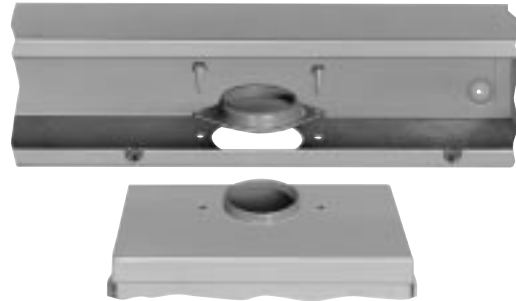


Hubs

Box Coupling for "RB" Devices and Series H Hubs

Box Coupling for "RB" Devices

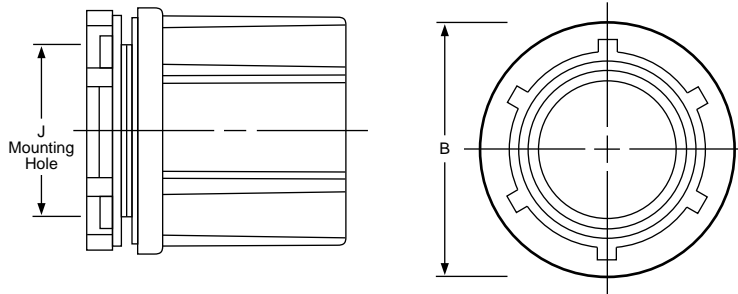
- Designed for connecting wireway or other enclosures to units which have B-hub openings.
- Provides bushed opening equal to 2" conduit.
- Eliminates the need for conduit nipling.



Catalog No. BC200

Series H Hubs

- Equipment Used On:
 - Heavy Duty Safety Switches (NEMA Type 4, 4X, 5, and 12), Class 3110
 - Circuit Breaker Enclosures (NEMA Type 4, 4X, 5, and 12), Class 610
- Watertight conduit hub, with gasket and insulated throat.
- Threaded opening for conduit.
- For use with NEMA Type 4, 4X, and 5 Stainless Steel and NEMA Type 12 switch and circuit breaker enclosures.



Conduit Size	1/2"		3/4"		1"		1 1/4"		1 1/2"		2"		2 1/2"		3"		3 1/2"		4"		
	IN	mm	IN	mm	IN	mm	IN	mm	IN	mm	IN	mm	IN	mm	IN	mm	IN	mm	IN	mm	
Mounting Hole "J"	Min.	.859	22	1.078	27	1.328	34	1.687	43	1.859	47	2.391	61	2.891	73	3.516	89	4.015	102	4.516	115
	Max.	.922	23	1.125	29	1.406	36	1.766	45	2.015	51	2.547	65	3.047	77	3.672	93	4.172	106	4.672	119
Outside Diameter "B"	1.203	31	1.625	41	1.891	48	2.312	59	2.625	67	3.156	80	3.703	94	4.312	110	4.813	122	5.312	135	
Standard-Zinc Hub Catalog Number	H050		H075		H100		H125		H150		H200		H250		H300		H350		H400		
Chrome Plated Hub Catalog Number	H050CP		H075CP		H100CP		H125CP		H150CP		H200CP		H250CP		H300CP		H350CP		H400CP		

HOMELINE is a Trademark of Square D Company.

QO is a Registered Trademark of Square D Company.

