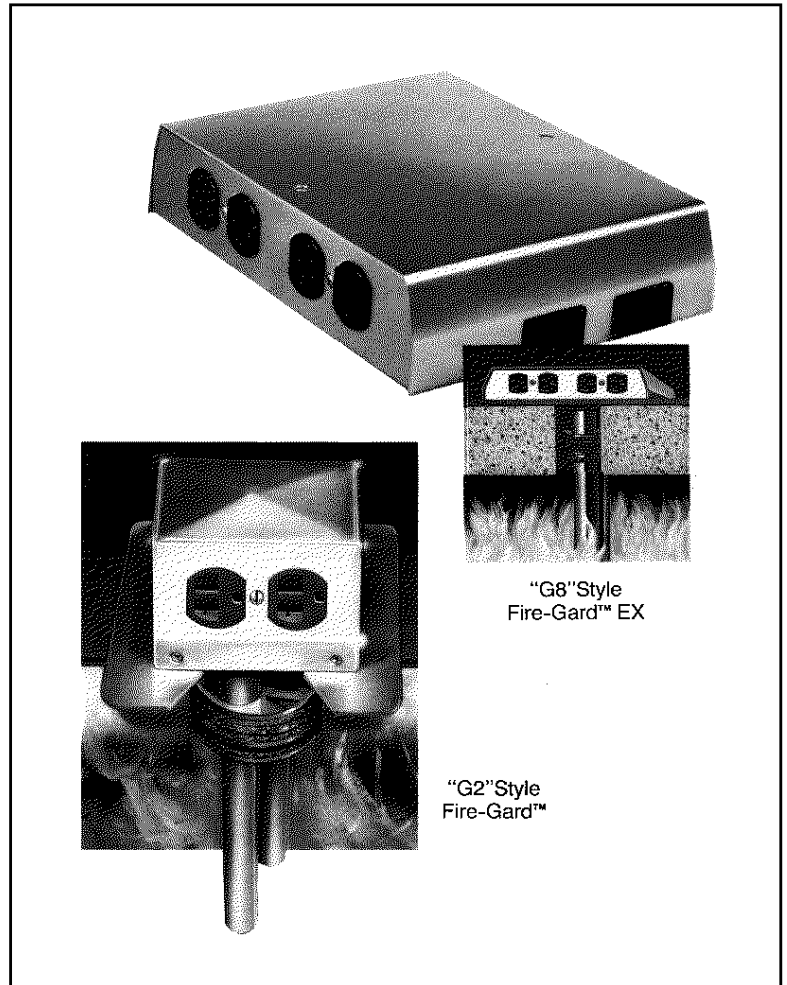


Poke-Thru Service Fittings

Class 5260



"G8" Style
Fire-Gard™ EX

"G2" Style
Fire-Gard™

		CONTENTS	
Description	Class	Class	Pages
Selection	5260	5260	2, 3
Application Data/Dimensions	5260	5260	4

Selection

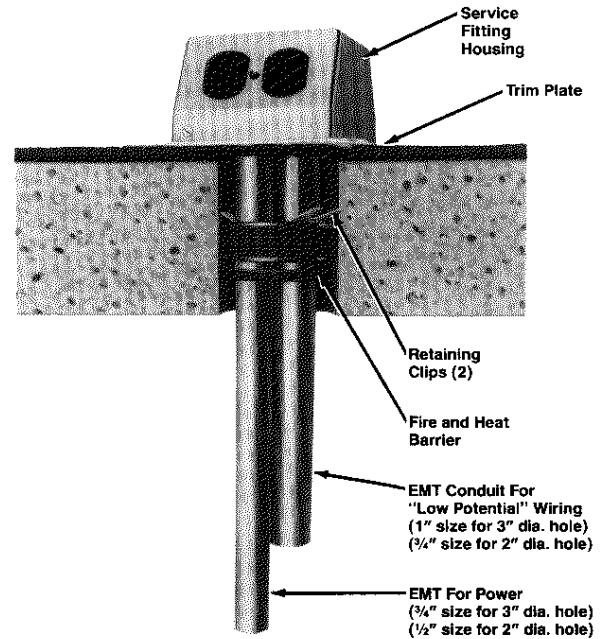
FIRE-GARD™ – G2 Style

FIRE-GARD thru-floor fittings are classified by Underwriters' Laboratories for fire resistance of up to and including a four hour rating. All fittings for power receptacles are also listed by UL as to electrical safety.

These fittings fit into a 3 in (76 mm) or 2 in (51 mm) diameter core-drilled hole through the concrete slab for installation. The fittings are designed for use in slab depths of from 2½ in (64 mm) through 8 in (203 mm) thick. They can be removed and reused at another location if desired.

All fittings are furnished with conventional size EMT conduits for one, two, or three services and for use with standard and commonly available hardware to complete the raceway system in the ceiling below. When using a "single service" fitting (for example, the G2BA-TF fitting – power only) the extra conduit may be disregarded. The fire barrier material would expand and seal the conduit in the event of a fire.

The triple service fitting [for use in 3 in (76 mm) dia. hole only] features separation of the low-potential wiring throughout the fitting – through the housing, the conduit, and through a partitioned junction box (furnished for this device only).



FIRE-GARD Poke-Thru Service Fittings

Catalog Number		Accommodates:	Weight	
2 in Hole	3 in Hole		Lbs.	Kg.
Single Service (Power or Telephone)				
G2BA-TF2	G2BA-TF	One standard duplex receptacle	3.0	1.3
G2BB-TF2	G2BB-TF	Two standard duplex receptacles back to back	3.0	1.3
G2CA-TF2	G2CA-TF	One single receptacle (1- ²⁵ / ₆₄ in (35 mm) dia. face plate)	3.0	1.3
G2CC-TF2	G2CC-TF	Two single receptacles (1- ²⁵ / ₆₄ in (35 mm) dia. face plate)	3.0	1.3
G2DA-TF2	G2DA-TF	One single receptacle (1- ¹ / ₈ in (40 mm) dia. face plate)	3.0	1.3
G2FA-TF2	G2FA-TF	One ½ in dia. opening for flexible conduit	3.0	1.3
G2BF-TF2	G2BF-TF	One duplex receptacle and one ¾ in (22 mm) dia. opening for flexible conduit	3.0	1.3
G2LA-TF2	G2LA-TF	One insulated bushing	3.0	1.3
G2LL-TF2	G2LL-TF	Two insulated bushing back to back	3.0	1.3
Dual Service (Power and Telephone)				
G2BL-TF2	G2BL-TF	One standard duplex receptacle and one insulated bushing	3.0	1.3
G2FL-TF2	G2FL-TF	One ¾ in (22 mm) dia. opening for flexible conduit and one insulated bushing	3.0	1.3
G2CL-TF2	G2CL-TF	One single receptacle (1- ²⁵ / ₆₄ in (35 mm) dia. face plate) and one insulated bushing	3.0	1.3
G2DL-TF2	G2DL-TF	One single receptacle (1- ¹ / ₈ in (40 mm) dia. face plate) and one insulated bushing	3.0	1.3
Triple Service (Power, Telephone and Computer)				
...	G2BLL-TF	One standard duplex receptacle, one insulated bushing and one computer cable opening, 3 in (76 mm) dia. hole only.	3.0	1.3

Notes: 1. All above fittings are brushed satin aluminum finish. For bronze-colored fittings (powder coated paint), add a "BN" suffix to the catalog number.
Example: G2BA-TFBN
2. Receptacles are not included in any of the above fittings.



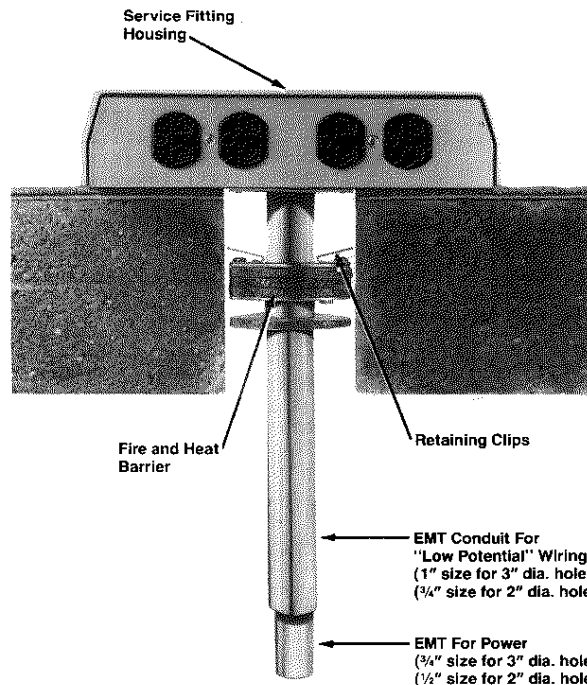
FIRE-GARD™ EX- G8 Style

The G8 style Fire-Gard-EX fitting is specifically designed for use in the open office automated workstation requiring comm/data wiring plus two duplex receptacles. The second duplex receptacle is usually dedicated to computer ("clean") power.

The G8 style is also UL Listed for power receptacles and utilizes the same conduit sizes as the G2 style (depending upon the size of the core-drilled hole).

In addition, the G8 poke-thru offers these features:

- Field-interchangeable face plates for power service
- Four low-potential grommets for comm/data
- Optional carpet storage feature
- Optional bracket for IBM Cabling System
- Low profile; satin aluminum or powder coated bronze finish



FIRE-GARD EX Poke Thru Service Fittings

Description (Aluminum)	Catalog Number	
	2 in (51 mm)	3 in (76 mm)
Basic FIRE-GARD poke thru fitting without high potential face plate. (Order face plates separately.)	G8XXLTF2	G8XXLTF
Dual duplex face plate and insulated bushings	G8BBLTF2	G8BBLTF

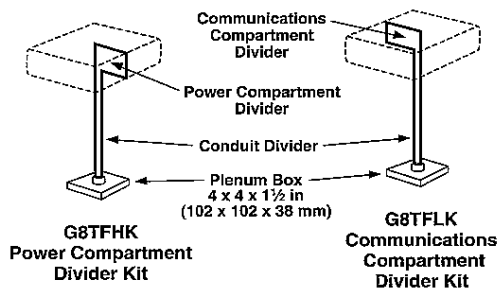
Interchangeable Face Plates

	Description (Aluminum)	Catalog Number
	Blank face plate.	G248AA
	To accept one standard duplex receptacle.	G248BA
	To accept two standard duplex receptacles.	G248BB
	To accept one standard duplex and one single 15 A, 125 V, 3W grounded U slot receptacle.	G248BC
	To accept one standard duplex and one single 2410 4W twist-lock receptacle.	G248BD
	To accept one standard duplex receptacle and one 3/8 in (22 mm) dia. opening for flexible connector.	G248BF
	To accept one single receptacle 5258-15 A, 125 V, 3W grounded U slot.	G248CA
	To accept one 2410 4W twist-lock receptacle.	G248DA

Notes: 1. All above fittings and plates are brushed satin aluminum finish. For bronze-colored fittings, add a "BN" suffix to the catalog number. Example: G88BL-TFBN
 2. Receptacles are not included in any of the above fittings.

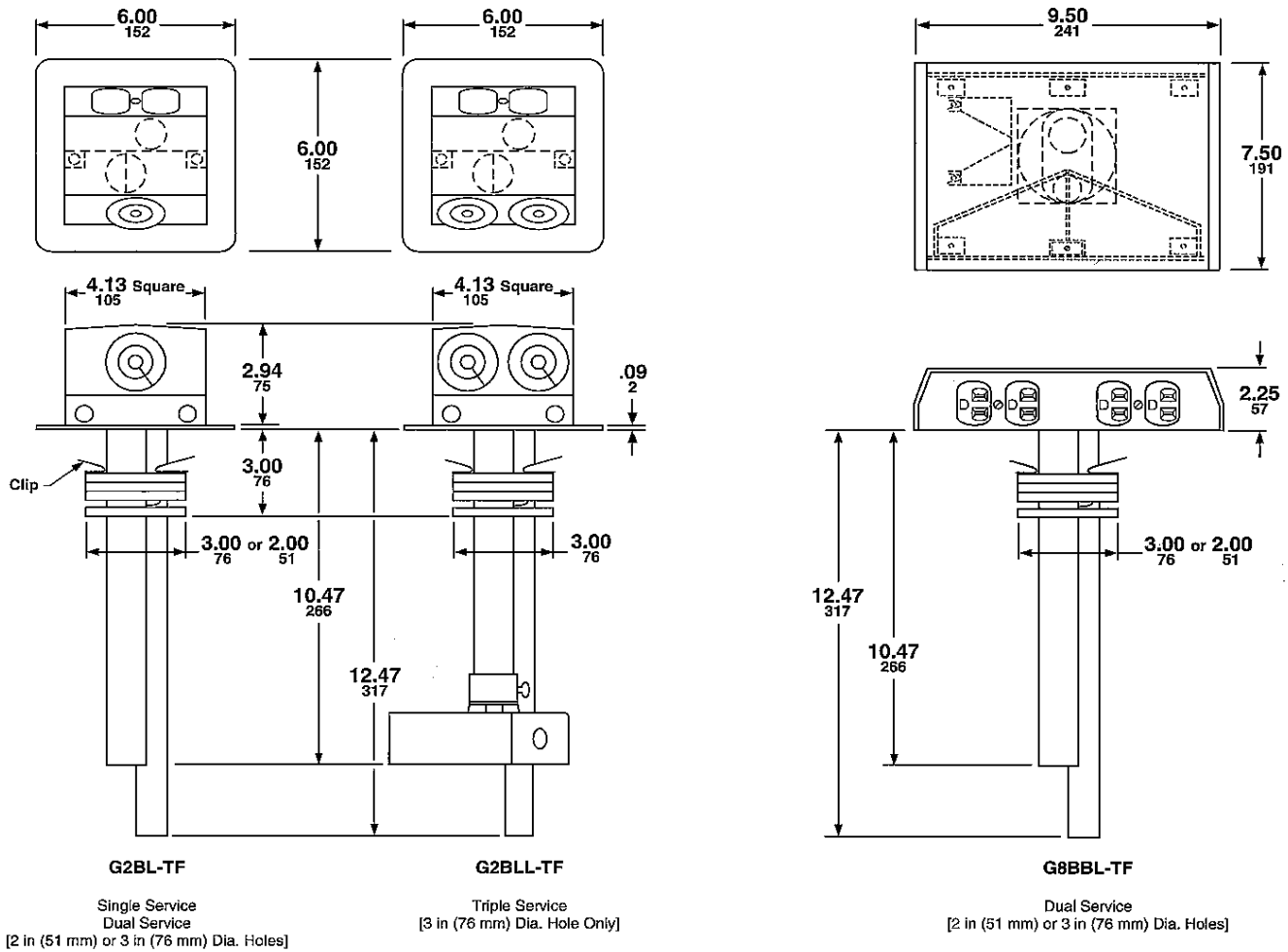
Accessories

Description	Catalog Number
Kit to convert any G8 poke thru fitting to accept IBM cabling system connector block.	G8IK
Kit adds "carpet storage" feature to any G8 poke thru fitting.	G8TFCSK
Power compartment divider kit. [3 in (76 mm) only]	G8TFHK
Communications compartment divider kit. [3 in (76 mm) only]	G8TFLK



Application Data and Dimensions

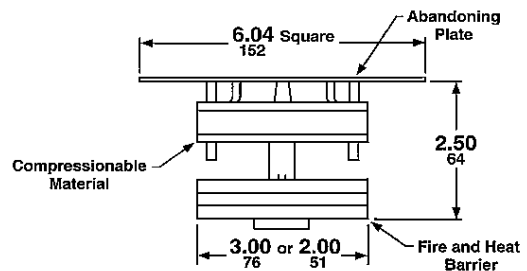
Dimensions



Fire-Gard™ Abandoning Outlet Plate

Designed to close any 3 in (76 mm) or 2 in (51 mm) dia. thru-floor hole, restoring the UL fire resistance classification of that floor up to and including a four hour rating. Available in satin aluminum or bronze finish. Both the fittings and the abandoning plates are removable and reusable.

Catalog Number		Description
3 in (76 mm) Hole	2 in (51 mm) Hole	
G2AP-TF	G2AP-TF2	Satin Aluminum Finish
G2AP-TFBN	G2AP-TFBN2	Bronze Finish



Note: Usage Restrictions for Poke-Thrus:

All manufacturers' listings and classifications of poke-thru service fittings carry the following restrictions:

1. Approved for use in unprotected steel floor units or unprotected reinforced concrete floors.
2. Minimum spacing of 2 feet on center.
3. Not more than one penetration per 65 sq. ft. of floor area in each span.

FIRE-GARD is a Trademark of Square D Company.
IBM is a Registered Trademark of International Business Machines.

Dual Dimensions: INCHES
Millimeters



SQUARE D
GROUPE SCHNEIDER