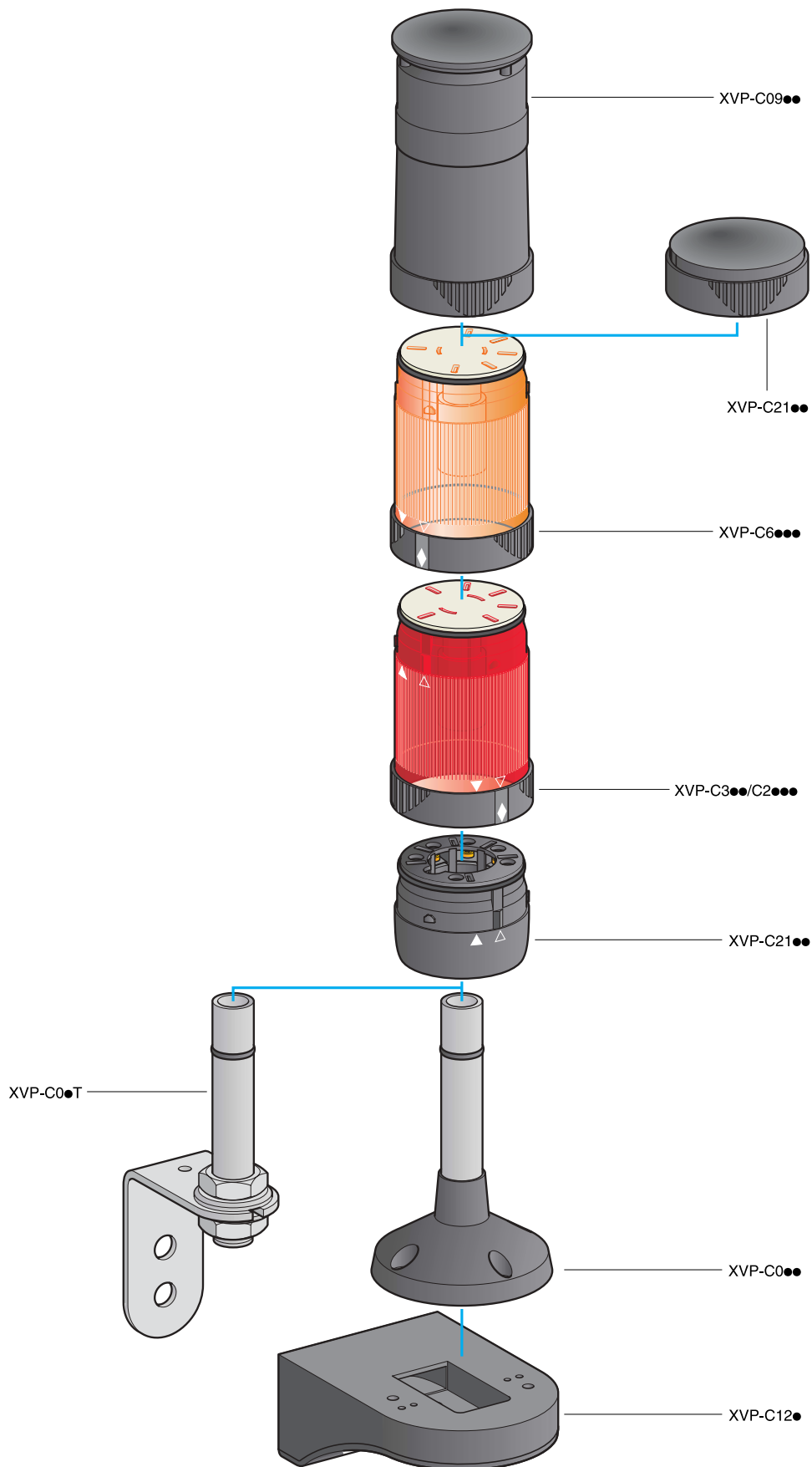


Control and Signaling Indicating Banks **XVP 50mm**

Catalog
February
2004





XVP indicator banks are visual or audible signalling units for indicating, throughout 360° and at a distance, the various states or operation sequences of a machine or installation.

Their reduced diameter (50 mm) makes them particularly suitable for use on small equipment.

In addition, the availability of two versions (aesthetic black or cream), makes them ideal for use in all sectors of activity: light industry, electronic, tertiary industry, food processing.

The indicator bank

Customer assembled product

Variable composition assembly of 1 to 5 illuminated or audible units which are supplied as separate items (assembly by user).

The bank comprises:

- A base unit with bottom cable entry.
- 1 to 5 illuminated units with steady or "flash" light (colour: green, red, orange, blue, clear or yellow).
- Or 1 audible unit.
(Maximum of 5 illuminated units or 4 illuminated units + 1 audible unit).
- A cover for the top unit.

The illuminated or audible units stack vertically and are easily locked and unlocked using an integral clamping ring.

Electrical connections between each unit are made automatically.

The flashing units are only available in the LED version and incorporate BA 15d base mounted flashing LEDs.

Accessories

- Threaded aluminium support tube (length 100, 250 or 400 mm), plus fixing bracket.
- Aluminium support tube (length 100, 250 or 400 mm) with integral black or cream fixing base, for mounting on vertical support.

Installation

Mounting

Base unit fixed directly onto panel using 4 screws or onto support tube using intermediate fixing base.

Cabling

By means of terminal block incorporated in base unit. The screw and captive cable clamp terminals are protected to prevent any accidental contact with live parts. Cream coloured base units are available for use with eyelet tags.

Environment

Product certifications	Standard version		CSA, UL, C€ marking (pending)
Conforming to standards			IEC/EN 60947-5-1
Protective treatment	Standard version		"TC"
Ambient air temperature	Storage	°C	- 40...+ 70
	Operation	Illuminated units with steady light	°C
Illuminated "flash" units, audible units		°C	- 25...+ 50
Electric shock protection conforming to IEC 536	Mounted on support tube		Class I
	Mounted on base unit		Class II
Degree of protection	Conforming to IEC 529 and NF C 20-010		IP 65
	Conforming to UL 508		Type NEMA 4X "Indoor", type 13 (pending)
Material	Illuminated units		Polycarbonate and Polyamide
	Base unit and cover		Acrylic Butadiene-Styrene + Polycarbonate and Polyamide
	Support tube + fixing base		Aluminium and Acrylic Butadiene-Styrene + Polycarbonate

Electrical characteristics

Rated insulation voltage (Ui)	Conforming to IEC 947-1	V	250
Voltage limits	Conforming to IEC 947-5-1	V	0.85 to 1.10 Un (Un: nominal voltage)
Consumption	LED unit	Steady light	mA \approx 24 V: < 80 \sim 120...230 V: < 30
		Flashing light	mA \approx 24 V: < 40 \sim 120...230 V: < 15
	Unit with discharge tube	On power-up	mA \approx 24 V: \leq 40
			mA \sim 120 V: \leq 20
			mA \sim 230 V: \leq 11
	Audible units		mA \approx 24 V: \leq 15
		mA \sim 120 V: \leq 15	
		mA \sim 230 V: \leq 12	
Rated impulse withstand voltage	Conforming to IEC 947-1	kV	U imp = 4
Light source	Illuminated units with steady or flashing light		LEDs: degree of pollution 2 Bulbs with BA 15d base fitting, maximum power 7 W
Illuminating power	Illuminated units with steady light	cds	2.4 with clear lens unit (7 W incandescent bulb)
	Illuminated "flash" units	cds	1.2 (24 V) with clear lens unit (0.3 J tube), 5 (120...230 V) with clear lens unit (0.6 J tube)
Audible unit	Continuous or intermittent tone	dB	Adjustable: 85 \pm 3 max., 55 \pm 3 min. at 1 m
	Fundamental frequency	kHz	10 adjustable levels
Terminal referencing	Common to all 5 units		1 terminal referenced -/C
	Depending on number of units		1 or 5 terminals referenced +/1 to +/5
Cabling	Maximum clamping capacity on protected, ready-to-tighten, screw and captive cable clamp terminals	mm²	1 x 1.5 with cable end
Frequency of illuminated units	Illuminated "flash" units	Hz	0.6...2
	Flashing illuminated units	Hz	1
Service life in rapidly ageing environment	Illuminated "flash" units Audible units	H	> 1000, continuous (climatic cycle - 25°C...+ 50°C)

Beacons and indicator banks

Ø 50 mm indicator banks, type XVP-C
for customer assembly (up to 5 units)



XVP-C3●



XVP-C3●W



XVP-C2●



XVP-C2●W

Illuminated units with steady light

Description	Light source	Colour	Reference	Weight kg
For BA 15 d bulb				
With black clamping ring	7 W max. bulb (not included) 250 V max.	Green	XVP-C33	0.100
		Red	XVP-C34	0.100
		Orange	XVP-C35	0.100
		Blue	XVP-C36	0.100
		Clear	XVP-C37	0.100
		Yellow	XVP-C38	0.100
With cream clamping ring	7 W max. bulb (not included) 250 V max.	Green	XVP-C33W	0.100
		Red	XVP-C34W	0.100
		Orange	XVP-C35W	0.100
		Blue	XVP-C36W	0.100
		Clear	XVP-C37W	0.100
		Yellow	XVP-C38W	0.100

Illuminated units with integral LED

Description	Voltage	Colour	Reference	Weight kg
With black clamping ring Protected LED	≈ 24 V	Green	XVP-C2B3 ▲	0.110
		Red	XVP-C2B4 ▲	0.110
		Orange	XVP-C2B5 ▲	0.110
		Blue	XVP-C2B6 ▲	0.110
		Clear	XVP-C2B7 ▲	0.110
		Yellow	XVP-C2B8 ▲	0.110
With cream clamping ring Protected LED	≈ 24 V	Green	XVP-C2B3W ▲	0.110
		Red	XVP-C2B4W ▲	0.110
		Orange	XVP-C2B5W ▲	0.110
		Blue	XVP-C2B6W ▲	0.110
		Clear	XVP-C2B7W ▲	0.110
		Yellow	XVP-C2B8W ▲	0.110

▲ Available 2nd. half 2002.

Beacons and indicator banks

Ø 50 mm indicator banks, type XVP-C for customer assembly (up to 5 units)
Illuminated "flash" units



530423

XVP-C6●●



530424

XVP-C6●●W



530425

XVP-C09●



530426

XVP-C09●W



520862-520863

XVP-C21



530427-530428

XVP-C21W●

Illuminated "flash" units

Description	Light source	Colour	Reference	Weight kg		
With black clamping ring	(0.3 Joules) --- 24 V	Green	XVP-C6B3	0.120		
		Red	XVP-C6B4	0.120		
		Orange	XVP-C6B5	0.120		
		Blue	XVP-C6B6	0.120		
		Clear	XVP-C6B7	0.120		
		Yellow	XVP-C6B8	0.120		
		(0.6 Joules) ~ 120 V	Green	XVP-C6G3	0.115	
			Red	XVP-C6G4	0.115	
	Orange		XVP-C6G5	0.115		
	Blue		XVP-C6G6	0.115		
	Clear		XVP-C6G7	0.115		
	Yellow		XVP-C6G8	0.115		
	(0.6 Joules) ~ 230 V	Green	XVP-C6M3	0.115		
		Red	XVP-C6M4	0.115		
		Orange	XVP-C6M5	0.115		
		Blue	XVP-C6M6	0.115		
		Clear	XVP-C6M7	0.115		
		Yellow	XVP-C6M8	0.115		
		With cream clamping ring	(0.3 Joules) --- 24 V	Green	XVP-C6B3W	0.120
				Red	XVP-C6B4W	0.120
	Orange			XVP-C6B5W	0.120	
	Blue			XVP-C6B6W	0.120	
	Clear			XVP-C6B7W	0.120	
	Yellow			XVP-C6B8W	0.120	
(0.6 Joules) ~ 120 V	Green			XVP-C6G3W	0.115	
	Red			XVP-C6G4W	0.115	
	Orange	XVP-C6G5W	0.115			
	Blue	XVP-C6G6W	0.115			
	Clear	XVP-C6G7W	0.115			
	Yellow	XVP-C6G8W	0.115			
(0.6 Joules) ~ 230 V	Green	XVP-C6M3W	0.115			
	Red	XVP-C6M4W	0.115			
	Orange	XVP-C6M5W	0.115			
	Blue	XVP-C6M6W	0.115			
	Clear	XVP-C6M7W	0.115			
	Yellow	XVP-C6M8W	0.115			

Audible units

Description	Colour	Rating	Reference	Weight kg
Buzzer, adjustable 55...85 dB at 1 m	Black	--- 24 V	XVP-C09B	0.153
		~ 120 V	XVP-C09G	0.153
		~ 230 V	XVP-C09M	0.153
	Cream	--- 24 V	XVP-C09BW	0.153
		~ 120 V	XVP-C09GW	0.153
		~ 230 V	XVP-C09MW	0.153

Base units + cover

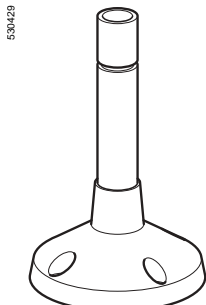
Base units for direct or tube fixing

Description	Colour	Reference	Weight kg
Base unit + cover for bared wires or wires with cable end	Black	XVP-C21	0.125
	Cream	XVP-C21W	0.125
Base unit + cover for eyelet tags	Cream	XVP-C21WR	0.125

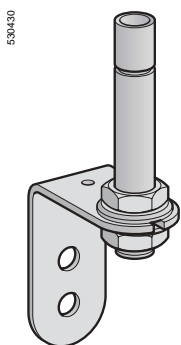
Beacons and indicator banks

Ø 50 mm indicator banks, type XVP-C

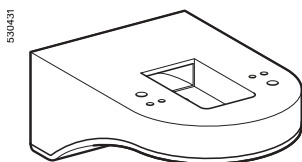
Accessories



XVP-C000



XVP-C007



XVP-C1200

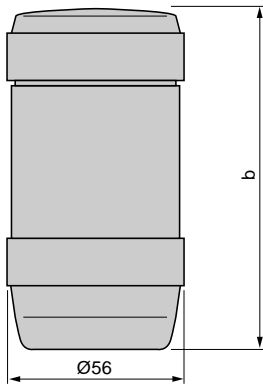
Accessories

Description	Characteristics	Sold in lots of	Unit reference	Weight kg		
Aluminium support tube with integral black fixing base	100 mm	1	XVP-C02	0.112		
	250 mm	1	XVP-C03	0.173		
	400 mm	1	XVP-C04	0.253		
Aluminium support tube with integral cream fixing base	100 mm	1	XVP-C02W	0.112		
	250 mm	1	XVP-C03W	0.173		
	400 mm	1	XVP-C04W	0.253		
Threaded aluminium support tube + stainless steel fixing bracket	100 mm	1	XVP-C02T	0.245		
	250 mm	1	XVP-C03T	0.306		
	400 mm	1	XVP-C04T	0.386		
Black fixing base for use on vertical support	Direct mounting on base unit or with support tube XVP-C000	1	XVP-C12	0.083		
Cream fixing base for use on vertical support	Direct mounting on base unit or with support tube XVP-C000	1	XVP-C12W	0.083		
Incandescent bulbs BA 15d base fitting	24 V 4 W	10	DL1-BEBS	0.090		
	120 V 5 W	10	DL1-BEGS	0.090		
	230 V 5 W	10	DL1-BEMS	0.090		
Incandescent bulbs BA 15d base fitting	12 V 7 W	10	DL1-BEJ	0.090		
	24 V 6.5 W	10	DL1-BEB	0.090		
	48 V 6 W	10	DL1-BEE	0.090		
	120 V 7 W	10	DL1-BEG	0.090		
	230 V 7 W	10	DL1-BEM	0.090		
	LEDs BA 15d base fitting	24 V	White	1	DL1-BDB1 (1)	0.015
Green			1	DL1-BDB3	0.015	
Red			1	DL1-BDB4	0.015	
Blue			1	DL1-BDB6	0.015	
Orange			1	DL1-BDB8	0.015	
120 V		White	1	DL1-BDG1 (1)	0.015	
		Green	1	DL1-BDG3	0.015	
		Red	1	DL1-BDG4	0.015	
		Blue	1	DL1-BDG6	0.015	
		Orange	1	DL1-BDG8	0.015	
230 V		White	1	DL1-BDM1 (1)	0.015	
		Green	1	DL1-BDM3	0.015	
		Red	1	DL1-BDM4	0.015	
		Blue	1	DL1-BDM6	0.015	
		Orange	1	DL1-BDM8	0.015	
Flashing LEDs BA 15d base fitting		24 V	White	1	DL1-BKB1 (1)	0.015
			Green	1	DL1-BKB3	0.015
			Red	1	DL1-BKB4	0.015
			Blue	1	DL1-BKB6	0.015
			Orange	1	DL1-BKB8	0.015
		120 V	White	1	DL1-BKG1	0.015
			Green	1	DL1-BKG3	0.015
			Red	1	DL1-BKG4	0.015
			Blue	1	DL1-BKG6	0.015
	Orange		1	DL1-BKG8	0.015	
	230 V	Blanc	1	DL1-BKM1	0.015	
		Green	1	DL1-BKM3	0.015	
Red		1	DL1-BKM4	0.015		
Blue		1	DL1-BKM6	0.015		
Bulb mounting and removal tool		1	XVP-CX13	0.015		

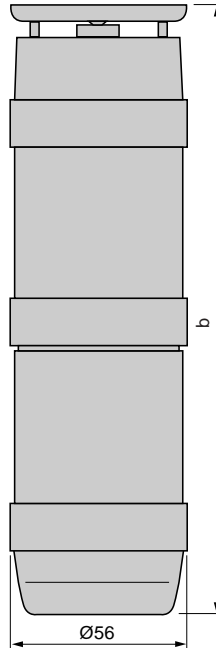
(1) Use LEDs DL1-B001 with yellow coloured lens units.

Indicator banks XVP-C

Without audible unit



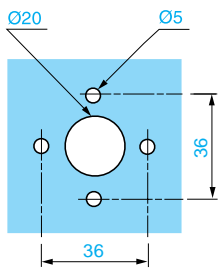
With audible unit



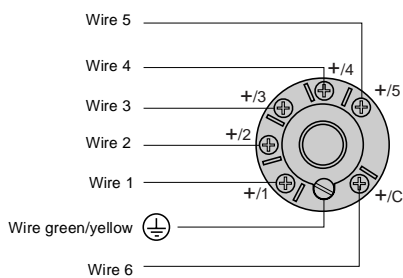
Number of illuminated units	b
1	108
2	170
3	232
4	294
5	356

Number of units: Illuminated + Audible	b
0 + 1	129
1 + 1	194
2 + 1	256
3 + 1	318
4 + 1	380

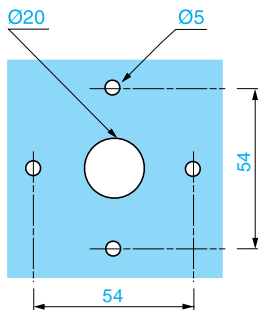
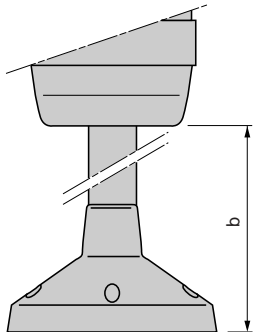
Panel cut-out for direct fixing (on base unit XVP-C12●)



Wiring scheme

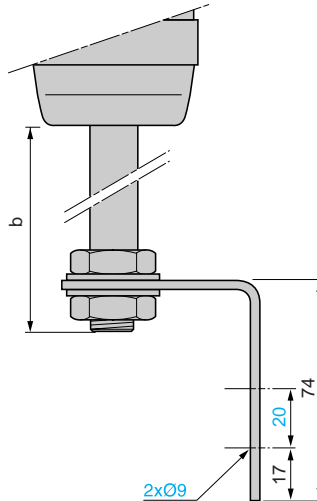


Support tube XVP-C0●● with integral fixing base



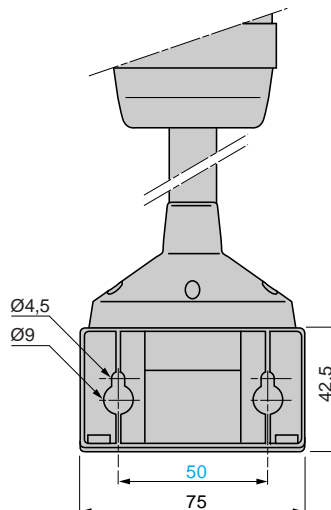
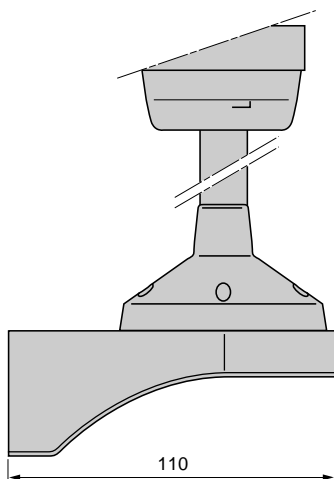
	b
XVP-C02●	89
XVP-C03●	237
XVP-C04●	388

Threaded support tube XVP-C0●T with metal fixing bracket



Number of units	b
XVP-C02●T	77
XVP-C03●T	227
XVP-C04●T	377

Mounting using intermediate wall fixing bracket XVP-C12●



Note: support tube XVP-C0●● with integral fixing base must be used.

Schneider Electric Industries SAS

Headquarters

89, bd Franklin Roosevelt
F - 92506 Rueil Malmaison Cedex

<http://www.schneider-electric.com>

Owing to changes in standards and equipment, the characteristics given in the text and images in this document are not binding until they have been confirmed with us.

Production : Schneider Electric Industries
Photos : Schneider Electric Industries
Printed by : CCI



April 2004