

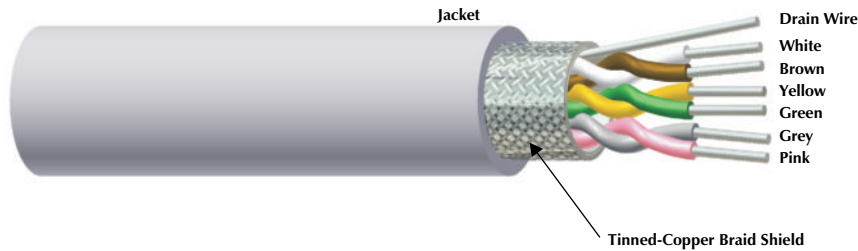
Interbus

Interbus has been designed as a fast sensor / actuator bus for transmitting process data in industrial environments.

Bus Type	Remote bus: token passing with repeater nodes; Local bus: master-to-slave
Maximum Number of Nodes	Remote bus: 64 in / 64 out; Local bus: 192 in / 192 out
Bus Topology	Remote bus: repeater ring; Local bus: bus
Maximum Network Length	400 meters between remote bus nodes; 10 meters on local bus (can accommodate three slaves)
Transmission Media	Remote bus: twisted pairs with shield/drain; Local bus: 5 pairs twisted
Transmission Signal	
Inputs / Outputs bits Node	8/8 minimum for each node; 2048/2048 total for all nodes
Speed	500 Kbps
Bus Power (for field nodes)	From busline or separate power source
Duplicate Address Detection	To some degree: master assigns a virtual address based upon physical order
Attendance Check	Per scan
Error Detection	CRC checksum
Error Correction Type	Data not validated by checksum is flagged as bad and not used - nodes wait for 3 consecutive scans of validated data before data can be used
Determinism	Deterministic but not during error correction

Interbus[®], Cable Specifications

- Cable that Meets the Requirements of Interbus-S (IBS) Remote Bus Cable
- Remote Bus Cable Contains Three Twisted Pair Wires, and a Drain Wire for Communication Only, No Power




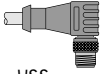
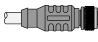
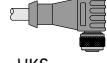


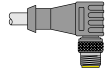
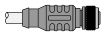
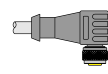
Type	Approvals	Data Pair		Outer Jacket Material Color Nominal O.D.	Shields Type Drain Wire	Bulk Cable Part Number / Weight/300 M
		AWG Color Code	DCR (/1000 feet) Insulation			
660 AWM 2464 80°C 300 Volts	NEC AWM CEC AWM I/II A/B FT1	6/24 AWG PK/GY, GN/YE, WH/BN	26.2 Ohms PE	PVC Beige 7.4 mm (.290 in)	Braid 24 AWG	RB50699-*M 51 lbs.

* Indicates length in meters.
Standard cable lengths are 30, 75, 150, 225, and 300 meters.
Interbus is a registered trademark of Phoenix Contact.

TURCK

Network Media Products

Interbus[®], Cable and Cordset Selection Matrix

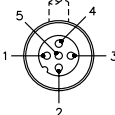
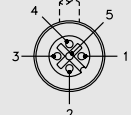
		eurofast [®]				
		Pin (Male)		Socket (Female)		
		1  RSS	3  WSS	2  RKS	4  WKS	
 Bare		RSS 660-*M	WSS 660-*M	RKS 660-*M	WKS 660-*M	
eurofast	Pin (Male)	1  RSS	RSS RSS 660-*M	RSS WSS 660-*M	RSS RKS 660-*M	RSS WKS 660-*M
		3  WSS	WSS RSS 660-*M	WSS WSS 660-*M	WSS RKS 660-*M	WSS WKS 660-*M
	Socket (Female)	2  RKS	RKS RSS 660-*M	RKS WSS 660-*M	RKS RKS 660-*M	RKS WKS 660-*M
		4  WKS	WKS RSS 660-*M	WKS WSS 660-*M	WKS RKS 660-*M	WKS WKS 660-*M

See page L4 for dimensional drawings.

* Indicates length in meters.

Standard cable lengths are 1.0, 2.0, 4.0, 6.0, 10....15 Meters. Consult factory for other lengths.

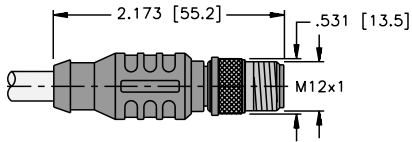
For stainless steel coupling nuts change part number RSS... to RSV, WSS... to WSV.

eurofast	Pinouts	eurofast
Male 	1. Yellow (DO) 2. Green (DO) 3. Grey (DI) 4. Pink (DI) 5. Brown (COM)	Female 

Specifications

Housing:	PUR (polyurethane)
Coupling Nut:	Nickel-Plated CuZn or Stainless Steel
Contact Carrier:	TPU (polyurethane) or POM (Nylon)
Contacts:	Gold-Plated CuZn
Protection:	NEMA 1, 3, 4, 6P and IEC IP 68
Rated Voltage:	250 V
Rated Current:	4 A
Ambient Temperature:	-30°C to +75°C

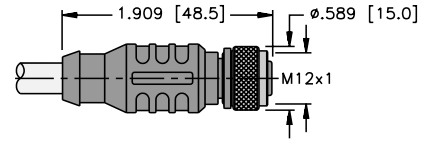
1



RSS ..

Page L3

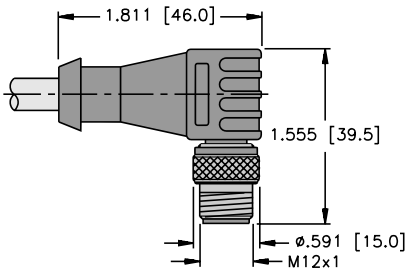
3



RKS ..

Page L3

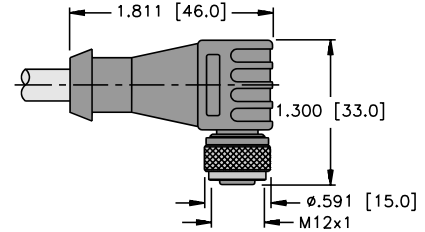
2



WSS ..

Page L3

4



WKS ..

Page L3

TURCK
Network Media Products

Notes