





Pressure Gauge Guide

Pressure Gauge for General Purpose

Outside diameter	Model	Type	Indication precision ±% FS	Pressure range MPa	Connection thread	Material			Indication ⁽¹⁾ unit	Attachment ⁽²⁾
						Case	Clear cover	Stud		
	ø15 G15	Back side thread	5	0 to 1.0	R 1/8 M5 (Female thread)	Zinc die-casted (Black graphite coated)	Poly-carbonate	Zinc die-casted (Black graphite coated)	MPa	—
	ø26 G27	Back side thread		0 to 1.0					R 1/16	
With limit indicator										
	ø37.5	G36	3	0 to 0.2	R 1/8	Aluminum die-casted (Black disulfide molybdenum coated)	Poly-carbonate	Aluminum die-casted (Black disulfide molybdenum coated)	MPa	—
		GA36		Vertical side thread						
With limit indicator										
	ø42.5	G46	3	0 to 0.2	R 1/8 R 1/4	Aluminum die-casted (Black disulfide molybdenum coated)	Poly-carbonate	Aluminum die-casted (Black disulfide molybdenum coated)	MPa	Cover ring assembly
		GA46		Vertical side thread						0 to 0.4
	ø30	G33	3	0 to 0.2	R 1/8	Stainless steel	Glass	Brass	MPa	—
		GA33		Vertical side thread						
ø43	G43	Back side thread	3	0 to 0.7	R 1/8 R 1/4	Stainless steel	Glass	Brass	MPa	—




Note 1) Please consult with SMC for other scale indication units and connecting thread "NPT".

Note 2) Possible for use in panel mounting.

Note 3) Please contact SMC for the pressure range 0 to 0.6 MPa of GA33.

Oil-free/External Parts Copper-free Pressure Gauge


Outside diameter	Model	Type	Indication precision ±% FS	Pressure range MPa	Connection thread	Material			Indication ⁽¹⁾ unit	Attachment ⁽²⁾
						Case	Clear cover	Stud		
With limit indicator										
	ø42.5	G46E	3	0 to 0.2	R 1/8 R 1/4	Rolled steel (Black melamine painted)	Poly-carbonate (Hard coated)	Brass (Electroless nickel plated)	MPa	Cover ring assembly
				0 to 0.4						



Note 1) Please consult with SMC for other scale indication units and connecting thread "NPT".

Note 2) Possible for use in panel mounting.


Pressure Gauge for Clean Series (10-Series)

Outside diameter	Model	Type	Indication precision ±% FS	Pressure range MPa	Connection thread	Material			Indication ⁽¹⁾ unit	Attachment
						Case	Clear cover	Stud		
	ø44	G49	3	0 to 0.4	R 1/4	Zinc die-casted (Chrome plated)	Glass	Brass (Nickel plated)	MPa	—



Note 1) Please consult with SMC for other scale indication units and connecting thread "NPT".

Pressure Gauge for Clean Regulator


Outside diameter	Model	Type	Indication precision ±% FS	Pressure range MPa	Connection thread	Material			Indication ⁽¹⁾ unit	Attachment
						Case	Clear cover	Stud		
With limit indicator										
	ø42.5	G46-SRA, B	3	0 to 0.2	R 1/8 R 1/4	Stainless steel (Black melamine painted)	Poly-carbonate (Hard coated)	Stainless steel	MPa	Cover ring assembly
				0 to 0.4						



Note 1) Please consult with SMC for other scale indication units and connecting thread "NPT".

Note 2) Possible for use in panel mounting.

Pressure Gauge with Switch

Outside diameter	Model	Type	Indication precision ±% FS	Pressure range MPa	Connection thread	Material			Indication ⁽¹⁾ unit	Attachment ⁽²⁾
						Case	Clear cover	Stud		
With limit indicator										
	ø42.5	GP46	3	0 to 1.0	R 1/8 R 1/4	Rolled steel (Black melamine painted)	Poly-carbonate	Brass	MPa	Cover ring assembly
				0 to 1.0						



Note 1) Please consult with SMC for other scale indication units and connecting thread "NPT".

Note 2) Possible for use in panel mounting.

Pressure Gauge for General Purpose

G15, G27

O.D.: $\phi 15$
 $\phi 26$



G15-10-01



G27-10-R1

- Be sure to read the precautions on page 14-11-15 for selection and installation.

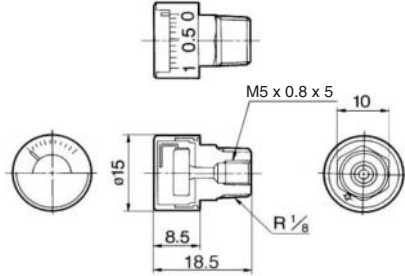
Standard Specifications

Model		G15	G27
Type		Back side thread	
Port size ⁽¹⁾		R 1/8: M5 (Female thread)	R 1/16
Fluid ⁽²⁾		Air	
Indication precision		±5% F.S. (Full span)	
Material	Case (Surface treatment)	Zinc die-casted (Black graphite coated)	
	Clear cover	Polycarbonate	
	Stud (Surface treatment)	Zinc die-casted (Black graphite coated)	
	Bourdon tube	Brass	
Weight (kg)		0.01	0.015
Applicable model		ARM1000/2000	AC1000, AR1000, AW1000

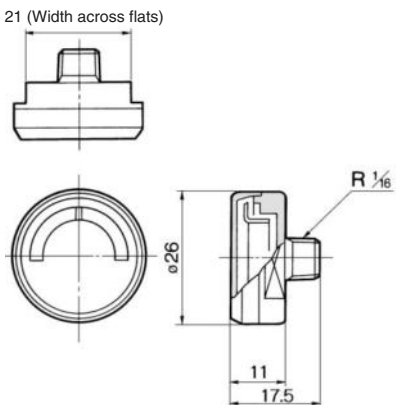
- Caution on handling: When drain or oil, etc. gets into the gauge, it may result in a malfunction.
- Note 1) Indicates the condition at the lower pressure limit.
Use a pipe tape for sealing. Recommended tightening torque is between 3 and 4 N·m for R 1/16 and 7 and 9 N·m for R 1/8.
- Note 2) Water cannot be used as an operating fluid. Because the clearance gap of the air passage of the Bourdon tube is very small. Water will block the gap and cause a malfunction.
Similarly, when using other fluids, please consult with SMC for fluid compatibility information concerning possible corrosion and response delay, etc.

Dimensions

G15



G27



Model (Standard)

Model	Pressure range ^(Note)	Indication unit	Connection thread
	(MPa)		
G15-10-01	0 to 1.0	MPa	R 1/8, M5 (Female thread)
G27-10-R1	0 to 1.0	MPa	R 1/16

Note) Do not apply more excessive pressure than max. pressure display. It will be a cause of malfunction.

Model (Made to Order) Other versions of this unit can be made on a made-to-order basis. Please consult with SMC for details, as delivery times may be extended.

Model	Pressure range ^(Note)	Indication unit	Connection thread
	(MPa)		
G27-10-M5-X201	0 to 1.0	MPa	M5 (Female thread)

Note) Do not apply more excessive pressure than max. pressure display. It will be a cause of malfunction.

How to Order

G 15 — 10 — 01 — X201

- Pressure gauge**
- Size**
- Connection thread**
- Option**
- Max. display pressure**

Symbol	Outside diameter
15	$\phi 15$
27	$\phi 26$

Symbol	Size
01	R1/8: M5 (Female thread)
R1	R 1/16

Symbol	Unit: MPa
10	0.1

Symbol	Specifications
Nil	—
X201	M5 (Female thread) only

Note 1) X3 (Wetted parts SUS) specifications are not available.
Note 2) Part number for pressure gauge with MPa·psi units is G27-P***-X30. This will no longer be sold for use in Japan after the new Weight and Measure Act has been implemented (October, 1999). G15 type is not available.

F.R.L.

AV

AU

AF

AR

IR

VEX

AMR

ITV

IC

VBA

VE□

VY1

G

PPA

AL

Pressure Gauge Guide

Pressure Gauge for General Purpose /With limit indicator

G36, GA36

O.D.: ø37



G36-10-01

• Be sure to read the precautions on page 14-11-15 for selection and installation.

Standard Specifications

Model		G36	GA36
Type		Back side thread	Vertical side thread
Port size ⁽¹⁾		R 1/8 (Option M: With M5 female thread)	
Fluid ⁽²⁾		Air	
Indication precision		±3% F.S. (Full span)	
Material	Case (Surface treatment)	Aluminum die-casted (Black disulfide molybdenum coat treated)	Rolled steel (Black melamine painted)
	Clear cover	Polycarbonate (Part no.: G36-00-00-3)	
	Stud (Surface treatment)	Aluminum die-casted (Black disulfide molybdenum coat treated)	Brass
	Bourdon tube	Brass	
Weight (kg)		0.04	0.05
Applicable model		AC2000/2500/3000 AR2000/2500/3000 AW2000/3000	—

Note 1) When installing a pressure gauge, be careful not to fasten too tight. Excessive tightening will result in damage. Use a pipe tape for sealing. Recommended tightening torque is R 1/8: Set between 7 and 9 N·m.

Note 2) Not applicable to water as fluid because its stud is made from aluminum die-casted. Water may cause corrosion and block the air passage. Use a pressure gauge with wetted parts made from stainless steel, G46-□-X3. (Note: Take care when using G36-□-01M, whose wetted part is made from brass. Some corrosion may result.) Design system to not be affected by water hammer when using water as fluid. Similarly, when using other fluids, please consult with SMC, to prevent corrosion-related problems.

Model (Standard)

Model	Pressure range ^{Note)}	Indication unit	Connection thread	Note
	MPa			
G36-2-01	0 to 0.2	MPa	R 1/8	—
G36-4-01	0 to 0.4			
G36-7-01	0 to 0.7			
G36-10-01	0 to 1.0			
GA36-10-01	0 to 1.0			

Note) Do not apply pressure more than the maximum display pressure. This will cause a malfunction.

Model (Made to Order)

Other versions of this unit can be made on a made-to-order basis. Please consult with SMC for details, as delivery times may be extended.

Model	Pressure range ^{Note)}	Indication unit	Connection thread	Note
	MPa			
G36-10-01-X2	0 to 1.0	MPa	R 1/8	Plated stem (Ni)
G36-15-01	0 to 1.5			—

Note) Do not apply pressure more than the maximum display pressure. This will cause a malfunction.

How to Order

G **□** **36** — **10** — **01** **M** — **X2**

Pressure gauge • Size • Connection thread • Max. display pressure • Option

Symbol	Type
Nil	Back side thread
A	Vertical side thread

Symbol	Size
36	ø37.5

Symbol	Size
01	R1/8

Symbol	Unit: MPa
2	0.2
4	0.4
7	0.7
10	1.0
15	1.5

Symbol	Specifications
Nil	—
X2	Nickel plated
X4	Oil-free (Wetted parts degrease washing)

Note 1) X3 (wetted parts SUS) specifications is not available.
 Note 2) Cover ring assembly is not available.
 Note 3) Part number for pressure gauge with MPa-psi units is G□36-P**-*X30. This will no longer be sold for use in Japan after the new Weight and Measure Act has been implemented (October, 1999).

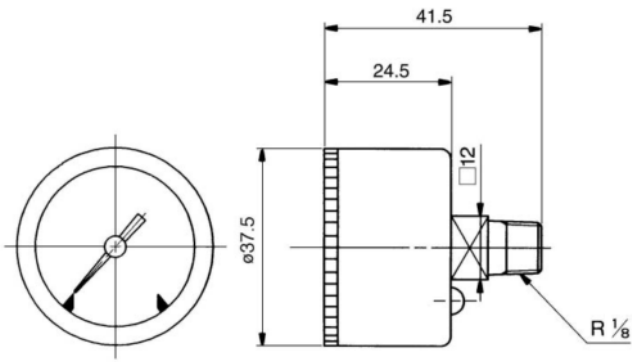
Symbol	Specifications
Nil	—
M	M5 (Female thread)

Note) Use M5 female thread when piping onto a panel.

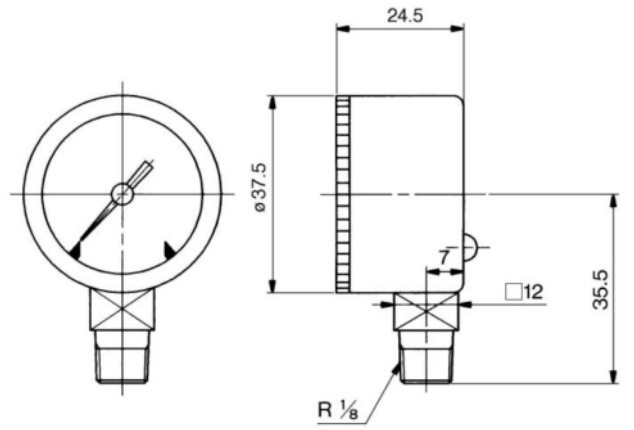


Dimensions

G36



GA36



- F.R.L.
- AV
- AU
- AF
- AR
- IR
- VEX
- AMR
- ITV
- IC
- VBA
- VE□
- VY1
- G**
- PPA
- AL

Courtesy of Steven Engineering, Inc.-230 Ryan Way, South San Francisco, CA 94080-6370-Main Office: (650) 588-9200-Outside Local Area: (800) 258-9200-www.stevenengineering.com

Pressure Gauge Guide

Pressure Gauge for General Purpose/With limit indicator

G46, GA46

O.D.: ø42

G46-10-02M-C

- Be sure to read the precautions on page 14-11-15 for selection and installation.

Standard Specifications

Model		G46	GA46
Type		Back side thread	Vertical side thread
Port size ⁽¹⁾		R 1/8, R 1/4 (Option M: with M5 female thread)	
Fluid ⁽²⁾		Air	
Indication precision		±3% F.S. (Full span)	
Material	Case (Surface treatment)	Aluminum die-casted (Black disulfide molybdenum coated)	Rolled steel (Black melamine painted)
	Clear cover	Polycarbonate (Part no.: G46-00-00-3)	
	Stud (Surface treatment)	Aluminum die-casted (Black disulfide molybdenum coated)	Brass
	Bourdon tube	Brass	
Weight (kg)		0.05	0.075
Applicable model		AC4000/5000/5500/6000 AR4000/5000/6000 AW4000	—
Attachment: With cover ring assembly	C	Part no.: 1305104-1A	—
	C1	Part no.: 1305104-3A	

Note 1) Indicates the condition at the lower pressure limit. Use a pipe tape for sealing. Recommended tightening torque: R 1/8: Set between 7 and 9 N·m, R 1/4: 12 and 14 N·m respectively.

Note 2) Not applicable to water as fluid because its stud is made from aluminum die-casting. Water may cause corrosion and block the air passage. Use G46-□-X3 pressure gauge with wetted parts SUS (wetted parts of G46-□-01M are made of brass and this become lightly corroded. Take precautions when using.) Design system to not be affected by water hammer when using water as fluid. Similarly, when using other fluids, please consult SMC for fluid compatibility information concerning corrosive potential.

Model (Standard)

Model	Pressure range ^(Note)		Indication unit	Connection thread	Note
	MPa				
G46-2-01/ 02	0 to 0.2		MPa	R 1/8, 1/4	—
G46-4-01/ 02	0 to 0.4				
G46-7-01/ 02	0 to 0.7				
G46-10-01/ 02	0 to 1.0				
G46-2-01 to 02M	0 to 0.2			R 1/8, 1/4 M5 (Female thread)	
G46-4-01 to 02M	0 to 0.4				
G46-7-01 to 02M	0 to 0.7				
G46-10-01 to 02M	0 to 1.0				
GA46-10-01 to 02	0 to 1.0			R 1/8, 1/4	

Note) Do not apply pressure more than the maximum display pressure. This will cause a malfunction.

Model (Made to Order)

Other versions of this unit can be made on a made-to-order basis. Please consult with SMC for details, as delivery times may be extended.

Model	Pressure range ^(Note)		Indication unit	Connection thread	Note		
	MPa	psi					
G46-2-01 to 02-C/ C1	0 to 0.2	—	MPa	R 1/8, 1/4	With cover ring assembly		
G46-4-01 to 02-C/ C1	0 to 0.4	—					
G46-7-01 to 02-C/ C1	0 to 0.7	—					
G46-10-01 to 02-C/ C1	0 to 1.0	—					
G46-2-01 to 02M-C/ C1	0 to 0.2	—		R 1/8, 1/4 M5 (Female thread)			
G46-4-01 to 02M-C/ C1	0 to 0.4	—					
G46-7-01 to 02M-C/ C1	0 to 0.7	—					
G46-10-01 to 02M-C/ C1	0 to 1.0	—					
G46-4-02-X30	0 to 0.4	0 to 60		MPa, psi		R 1/4	—
G46-10-02-X30	0 to 1.0	0 to 150					
G46-2-02M-X4	0 to 0.2	—	MPa	R 1/4 M5 (Female thread)	Oil-free		
G46-4-02M-X4	0 to 0.4	—					
G46-7-02M-X4	0 to 0.7	—					
G46-10-02M-X4	0 to 1.0	—					
G46-2-02M-C/ C1-X4	0 to 0.2	—					
G46-4-02M-C/ C1-X4	0 to 0.4	—					
G46-7-02M-C/ C1-X4	0 to 0.7	—		R 1/4	Oil-free, With cover ring assembly		
G46-10-02M-C/ C1-X4	0 to 1.0	—					
G46-10-02-X2	0 to 1.0	—					
G46-15-01 to 02	0 to 1.5	—				Plated stem (Ni)	

Note) Do not apply pressure more than the maximum display pressure. This will cause a malfunction.

How to Order

G **□** **46** — **10** — **01** **M** — **C** — **X2**

Pressure gauge

Type

Symbol	Type
Nil	Back side thread
A	Vertical side thread

Size

Symbol	Outside diameter
46	ø42.5

Connection thread

Symbol	Size
01	R 1/8
02	R 1/4

Max. display pressure

Symbol	Unit: MPa
2	0.2
4	0.4
7	0.7
10	1.0
15	1.5

Option

Symbol	Specifications
Nil	—
M	With M5 (Female thread)

Note: Use M5 female thread when piping onto a panel.

Option

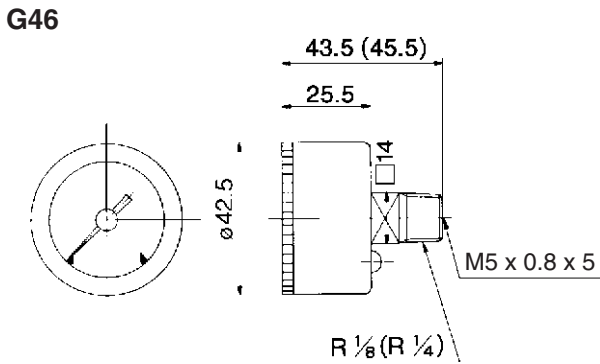
Symbol	Specifications
Nil	—
X2	Stud parts Nickel plated
X3	Wetted parts stainless steel ⁽¹⁾
X4	Oil-free ^(Wetted parts degrease washing)

Note 1) Movable parts (gear, etc) inside pressure gauge are made of brass.
 Note 2) Part number for pressure gauge with MPa-psi units is G□46-P***-X30. This will no longer be sold for use in Japan after the new Weight and Measure Act has been implemented (October, 1999).

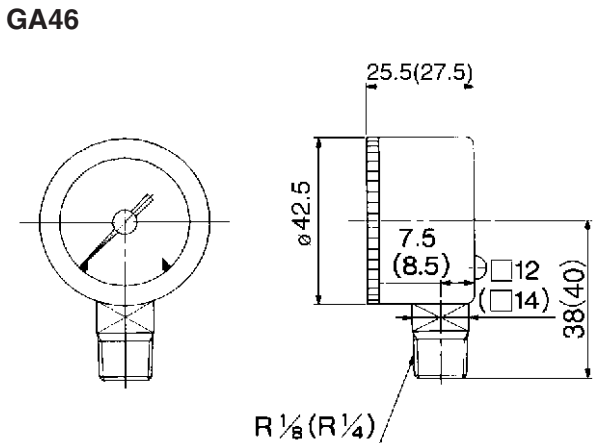
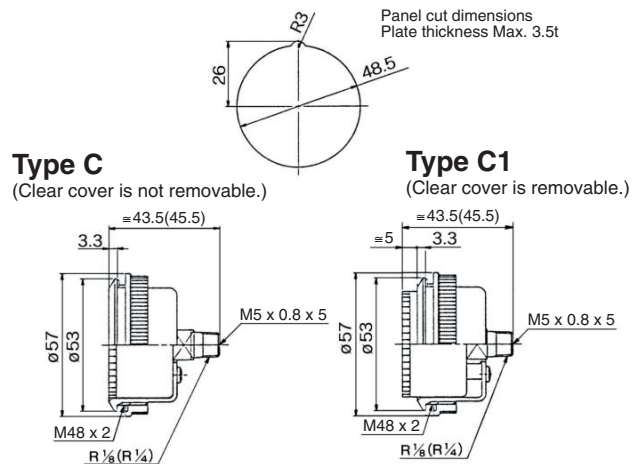
Attachment (Cover ring assembly)

Symbol	Specifications
Nil	Without cover ring assembly
C	Clear cover has no protrusion. (Clear cover is irremovable.)
C1	Clear cover has protrusion. (Clear cover is removable.)

Dimensions The dimensions in (): Connecting thread R 1/4



G46: With cover ring assembly (For panel mount)



For setting method, Refer to page 14-11-15.

F.R.L.

AV

AU

AF

AR

IR

VEX

AMR

ITV

IC

VBA

VE □

VY1

G

PPA

AL

Pressure Gauge Guide

Pressure Gauge for General Purpose

G33, GA33

O.D.: ø30


Standard Specifications

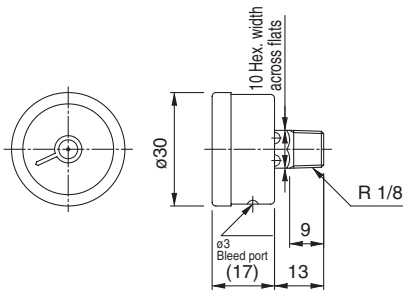
Model		G33	GA33
Type		Back side thread	Vertical side thread
Port size ⁽¹⁾		R 1/8	
Fluid ⁽²⁾		Air	
Indication precision		±3% F.S. (Full span)	
Material	Case	Stainless steel	
	Clear cover	Glass	
	Stud	Brass	
	Bourdon tube	Brass	
Applicable model	IP5000, IP6000, IR1000, IT1000, ARM2500/3000		

Note 1) When mounting a pressure gauge, use caution not to tighten excessively. Excessive tightening will cause product to be damaged. Use a pipe tape for sealing. Recommended tightening torque: R 1/8: Set between 7 and 9 N·m.

Note 2) When using other fluids, please consult with SMC for fluid compatibility information concerning corrosive potential.

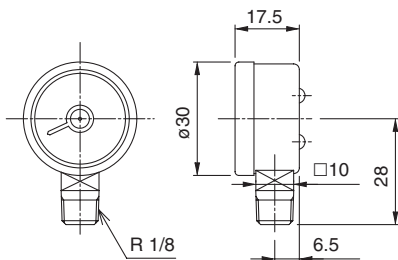
Dimensions

G33



G33-□□-01

GA33



GA33-□□-01

Model (Standard)

Model	Pressure range ^{Note)}	Indication unit	Connection thread	Note
	MPa			
G33-2-01	0 to 0.2	MPa	R 1/8	—
G33-3-01	0 to 0.3			
G33-4-01	0 to 0.4			
G33-6-01	0 to 0.6			
G33-10-01	0 to 1.0			
GA33-2-01	0 to 0.2			
GA33-4-01	0 to 0.4			
GA33-7-01	0 to 0.7			
GA33-10-01	0 to 1.0			

Note) Do not apply pressure more than the maximum display pressure. This will cause a malfunction.

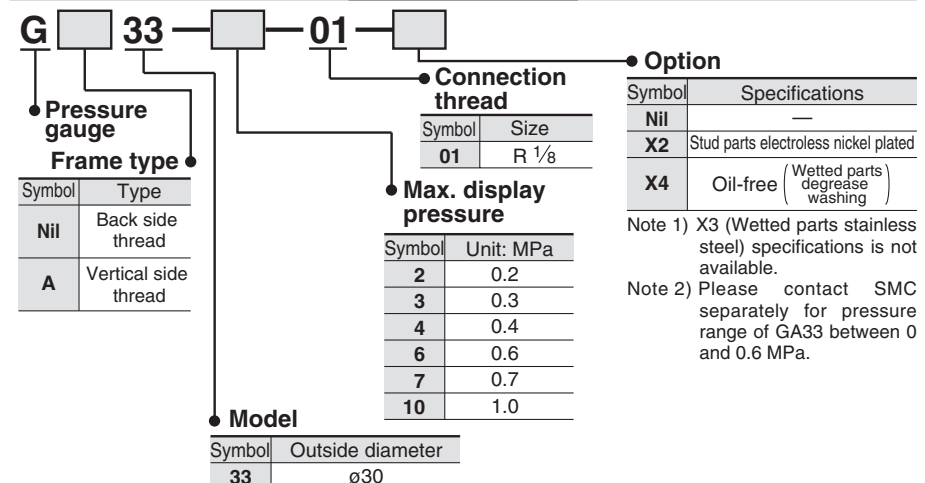
Model (Made to Order)

Model	Pressure range ^{Note)}	Indication unit	Connection thread	Note
	MPa			
G33-2-01-X2	0 to 0.2	MPa	R 1/8	X2: Stud parts electroless nickel plated
G33-3-01-X2	0 to 0.3			
G33-4-01-X2	0 to 0.4			
G33-6-01-X2	0 to 0.6			
G33-10-01-X2	0 to 1.0			
GA33-2-01-X2	0 to 0.2			X2: Stud parts nickel plated
GA33-4-01-X2	0 to 0.4			
GA33-7-01-X2	0 to 0.7			
GA33-10-01-X2	0 to 1.0			
G33-10-01-X4	0 to 1.0			

X4: Oil-free (Wetted parts degreasing)

Note) Do not apply pressure more than the maximum display pressure. This will cause a malfunction.

How to Order



Pressure Gauge for General Purpose

G43**O.D.: ø43**

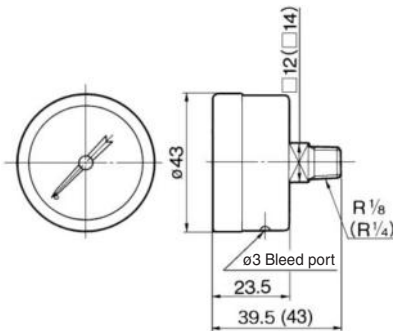
G43-10-01

Standard Specifications

Model		G43
Type		Back side thread
Port size ⁽¹⁾		R 1/8, R 1/4
Fluid ⁽²⁾		Air
Indication precision		±3% F.S. (Full span)
Material	Case	Stainless steel
	Clear cover	Glass
	Stud	Brass
	Bourdon tube	Brass
Applicable model		IP200/600, IT600, IR2000/3000, IT2000/4000

Note 1) When mounting a pressure gauge, use caution not to tighten excessively. Excessive tightening will cause product to be damaged. Use a pipe tape for sealing. Recommended tightening torque: R 1/8: Set between 7 and 9 N·m, R 1/4: 12 and 14 N·m respectively.

Note 2) When using with water, use G43-□-X3 (wetted parts stainless steel) and use caution not to apply water hammer. When using the other fluids, please consult with SMC for fluid compatibility information concerning corrosive potential.

External Dimensions
(Except made-to-order products)

The dimensions in (): Connecting thread R 1/4

Model (Standard)

Model	Pressure range ^{Note1)}	Indication unit	Connection thread	Note
	MPa			
G43-2-01 to 02	0 to 0.2	MPa	R 1/8, R 1/4	—
G43-4-01 to 02	0 to 0.4		R 1/8	
G43-6-01	0 to 0.6			
G43-7-01 to 02	0 to 0.7			
G43-10-01 to 02	0 to 1.0	R 1/8, R 1/4		

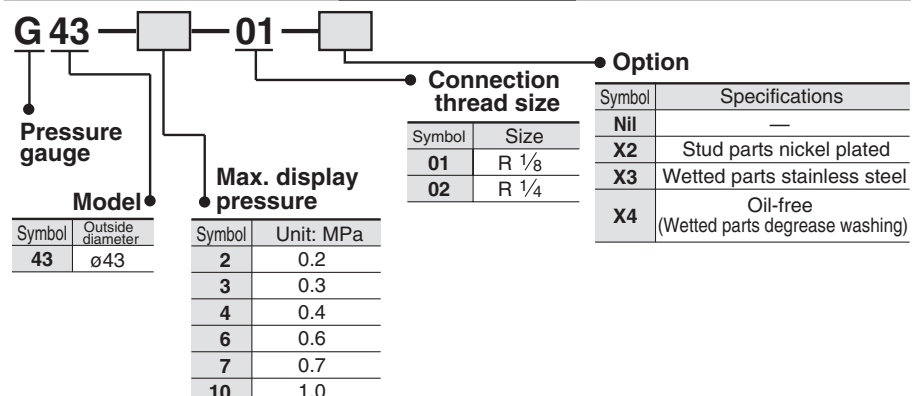
Note) Do not apply pressure more than the maximum display pressure. This will cause a malfunction.

Model (Made to Order)

Model	Pressure range ^{Note1)}	Indication unit	Connection thread	Note
	MPa			
G43-2-01 to 02-X2	0 to 0.2	MPa	R 1/8, R 1/4	X2: Stud parts nickel plated
G43-4-01 to 02-X2	0 to 0.4		R 1/8	
G43-6-01-X2	0 to 0.6			
G43-7-01 to 02-X2	0 to 0.7			
G43-10-01 to 02-X2	0 to 1.0	R 1/8, R 1/4		
G43-2-01 to 02-X3	0 to 0.2	MPa	R 1/8, R 1/4	X3: Wetted parts stainless steel
G43-4-01 to 02-X3	0 to 0.4		R 1/8	
G43-6-01-X3	0 to 0.6			
G43-7-01 to 02-X3	0 to 0.7			
G43-10-01 to 02-X3	0 to 1.0	R 1/8, R 1/4		
G43-2-01 to 02-X4	0 to 0.2	MPa	R 1/8, R 1/4	X4: Oil-free (Wetted parts degreasing)
G43-4-01 to 02-X4	0 to 0.4		R 1/8	
G43-6-01-X4	0 to 0.6			
G43-7-01 to 02-X4	0 to 0.7			
G43-10-01 to 02-X4	0 to 1.0	R 1/8, R 1/4		

Note) Do not apply pressure more than the maximum display pressure. This will cause a malfunction.

How to Order



F.R.L.

AV

AU

AF

AR

IR

VEX

AMR

ITV

IC

VBA

VE□

VY1

G

PPA

AL

Pressure Gauge Guide

Oil-free/External Parts Copper-free Pressure Gauge/With Limit Indicator

G46E

O.D.: $\phi 42$


G46E-10-02M

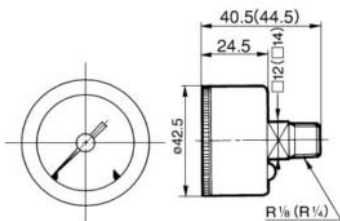
G46E-10-02M-C

- Be sure to read the precautions on page 14-11-15 for selection and installation.

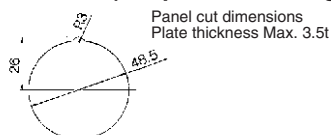
Dimensions

Dimensions in: R $\frac{1}{4}$ connecting thread

G46E

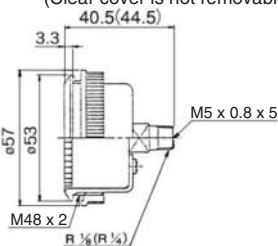


G46E (Type DT): With cover ring assembly (For panel mounting)



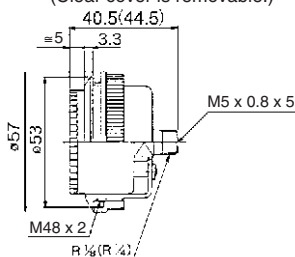
Type C

(Clear cover is not removable.)



Type C1

(Clear cover is removable.)



For mounting method, refer to page 14-11-15.

Standard Specifications

Model		G46E
Type		Back side thread
Port size ⁽¹⁾		R $\frac{1}{8}$, R $\frac{1}{4}$ (Option M: with M5 female thread)
Fluid ⁽²⁾		Air
Indication precision		$\pm 3\%$ F.S. (Full span)
Fluid contact part cleaning		Wetted parts degrease washing
Material	Case (Surface treatment)	Rolled steel (Black melamine painted)
	Clear cover (Surface treatment)	Polycarbonate (Hard coated) Part no.: G46-00-00-2
	Stud (Surface treatment)	Brass (Electroless nickel plated)
	Bourdon tube	Brass ⁽³⁾
Weight (kg)		0.08
Attachment:	C	Part no.: 1305104-1A
With cover ring assembly	C1	Part no.: 1305104-3A

Note 1) When mounting a pressure gauge, use caution not to tighten excessively. Excessive tightening will cause product failure. Use a pipe tape for sealing. Recommended tightening torque: R $\frac{1}{8}$: Set between 7 and 9 N·m, R $\frac{1}{4}$: 12 and 14 N·m respectively.

Note 2) When fluid is water, use G46-□-X3. Wetted parts are made of stainless steel construction. (Some corrosion may be caused by water because this product's wetted parts are made of brass.) Design system to not be affected by water hammer when using water as fluid. Similarly, when using other fluids, please consult with SMC for fluid compatibility information concerning corrosive potential.

Note 3) Bourdon tube and internal movable parts (gear, etc.) are made of brass and are not electrolessly nickel plated. This is not an internally copper-free product.

Model (Standard)

Model	Pressure range ^(Note)	Indication unit	Connection thread	Note
	MPa			
G46E-2-01 to 02M	0 to 0.2	MPa	R $\frac{1}{8}$ R $\frac{1}{4}$ M5 (Female thread)	—
G46E-4-01 to 02M	0 to 0.4			
G46E-7-01 to 02M	0 to 0.7			
G46E-10-01 to 02M	0 to 1.0			

Note) Do not apply pressure more than the maximum display pressure. This will cause a malfunction.

Model (Made to Order)

Other versions of this unit can be made on a made-to-order basis. Please consult SMC for details, as delivery times may be extended.

Model	Pressure range ^(Note)	Indication unit	Connection thread	Note
	MPa			
G46E-2-01 to 02M-C/ C1	0 to 0.2	MPa	R $\frac{1}{8}$ R $\frac{1}{4}$ M5 (Female thread)	With cover ring assembly
G46E-4-01 to 02M-C/ C1	0 to 0.4			
G46E-7-01 to 02M-C/ C1	0 to 0.7			
G46E-10-01 to 02M-C/ C1	0 to 1.0			

Note) Do not apply pressure more than the maximum display pressure. This will cause a malfunction.

How to Order

G 46 E - 10 - 01 M - C

Attachment (Cover ring assembly)

Symbol	Specifications
Nil	Without cover ring assembly
C	Clear cover has no protrusion. (Clear cover is irremovable.)
C1	Clear cover has protrusion. (Clear cover is removable.)

Pressure gauge

Size

Symbol	Outside diameter
46	$\phi 42.5$

Specifications

Symbol	Specifications
E	Oil-free, external parts copper-free

Connection thread

Symbol	Size
01	R $\frac{1}{8}$
02	R $\frac{1}{4}$

Max. display pressure

Symbol	Unit: MPa
2	0.2
4	0.4
7	0.7
10	1.0
15	1.5

Option

Symbol	Specifications
Nil	—
M	With M5 (Female thread)

Note) Use M5 female thread when piping onto a panel.

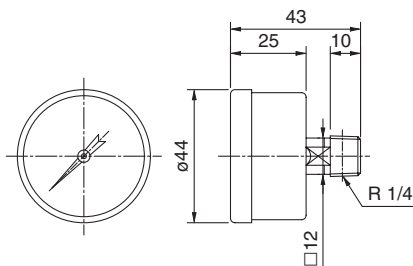
Pressure Gauge for Clean Series (10-series)

G49

O.D: $\phi 44$ 

- Be sure to read the precautions on page 14-11-15 for selection and installation.

Dimensions



Standard Specifications

Installation of a filter on the breathing hole (filtration 3 μm) enables an unit to curb particle generation from the pressure gauge inside.

Model		G49
Type		Back side thread
Port size ⁽¹⁾		R $\frac{1}{4}$
Fluid ⁽²⁾		Air
Indication precision		$\pm 3\%$ F.S. (Full span)
Material	Case (Surface treatment)	Zinc die-casted (Chromate plated)
	Clear cover	Glass
	Stud (Surface treatment)	Brass (Nickel plated for external parts only)
	Bourdon tube	Brass ⁽³⁾
Weight (kg)		0.095

Note 1) When mounting a pressure gauge, use caution not to tighten excessively. Excessive tightening will cause product failure. Use a pipe tape for sealing. Recommended tightening torque: Set between 12 and 14 N·m.

Note 2) When fluid is water, use G46-□-X3. Wetted parts of G46-□-X3 are made of Stainless steel. Use caution as some corrosion may be caused by water. Standard G49 pressure gauge contact area is made of brass. When using water, use caution not to apply water hammer. Similarly, when using other fluids, consult SMC for fluid compatibility information concerning corrosive potential.

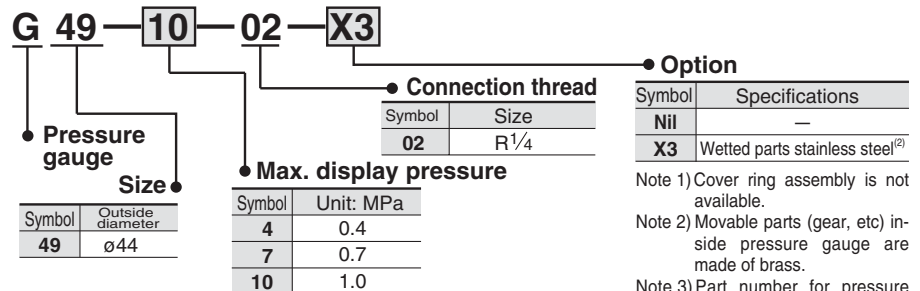
Note 3) Bourdon tube and internal movable parts (gear, etc.) are made of brass, and are not nickel plated.

Model (Standard)

Model	Pressure range ^{Note)}	Indication unit	Connection thread	Note
	MPa			
G49-4-02	0 to 0.4	MPa	R $\frac{1}{4}$	—
G49-7-02	0 to 0.7			
G49-10-02	0 to 1.0			

Note) Do not apply pressure more than the maximum display pressure. This will cause a malfunction.

How to Order



F.R.L.

AV

AU

AF

AR

IR

VEX

AMR

ITV

IC

VBA

VE□

VY1

G

PPA

AL

Pressure Gauge Guide

Pressure Gauge for Clean Regulator/With Limit Indicator
G46-□-□-SRA, B **O.D.: ø42**

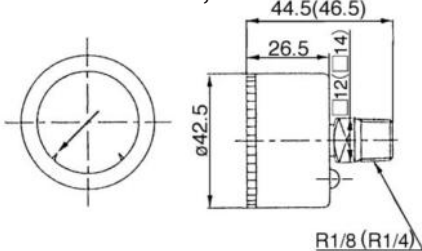


G46-10-02-SR A, B

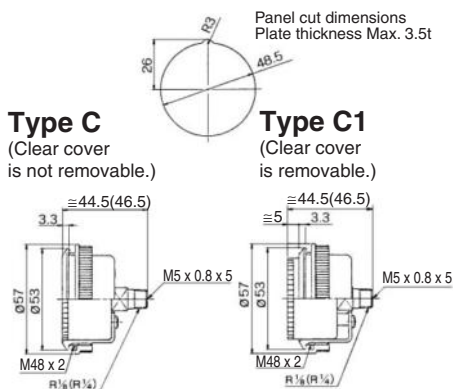
- Be sure to read the precautions on page 14-11-15 for selection and installation.

Dimensions Dimensions in (): R 1/4 connecting thread

G46-□-□- SRA, B



G46-□-□- SRB:
With cover ring assembly
(For panel mount)



Standard Specifications

Model	G46-□-SRA	G46-□-SRB
Type	Back side thread	
Port size ⁽¹⁾	R 1/8, R 1/4	
Fluid ⁽²⁾	Air	
Indication precision	±3% F.S. (Full span)	
Fluid contact part cleaning (Wetted part)	Precision cleaning	General degreasing
Assembly/environment	Clean room M5.5 (Class 10000)	General production line
Oil/Water free	Oil/Water-free ⁽³⁾	
Material ⁽⁴⁾	Case	Stainless steel 304 (Black melamine painted)
	Clear cover (Surface treatment)	Polycarbonate (Hard coated) Part no.: G46-00-00-2
	Stud	Stainless steel 316
	Bourdon tube	Stainless steel 316
Attachment: cover ring assembly	C	Part no.: 1305104-6A
	C1	Part no.: 1305104-7A
Packaging	<ul style="list-style-type: none"> • Polyethylene cap for stud parts. • Airtight polyethylene bag 	<ul style="list-style-type: none"> • Polyethylene cap for stud parts. • Polyethylene bag
Weight (kg)	0.085	

- Note 1) When mounting a pressure gauge, use caution not to tighten excessively. Excessive tightening will cause product failure. Use a pipe tape for sealing. Recommended tightening torque: R 1/8 : Set between 7 and 9 N·m, R 1/4 : 12 and 14 N·m respectively.
 Note 2) When using water, use caution not to apply water hammer. When using other fluids, please consult with SMC for compatibility information concerning corrosion potential.
 Note 3) When manufacturing pressure gauge, SMC uses caution not to allow water to remain in the wetted parts.
 Note 4) Movable parts (gear, etc) inside pressure gauge are made of brass.

Model (Standard) Made-to-order products, (not including models above) may take longer leadtime. Please consult with SMC beforehand.

Model	Pressure range ^(Note)	Indication unit	Connection thread	Note
	MPa			
G46-2-01 to 02-SRA	0 to 0.2	MPa	R 1/8 R 1/4	—
G46-2-01 to 02-SRB				
G46-4-01 to 02-SRA	0 to 0.4			
G46-4-01 to 02-SRB				
G46-7-02-SRA	0 to 0.7			
G46-7-02-SRB				
G46-10-02-SRA	0 to 1.0			
G46-10-02-SRB				

Note) Do not apply pressure more than the maximum display pressure. This will cause a malfunction.

How to Order

G 46 - 10 - 01 M - SRA - C

- Pressure gauge Size**

Symbol	Outside diameter
46	ø42.5
- Max. display pressure**

Symbol	Unit: MPa
2	0.2
4	0.4
7	0.7
10	1.0
- Option**

Symbol	Specifications
Nil	—
M	With M5 (Female thread)

Note) Use M5 female thread when panel-mounting for piping.
- Attachment (Cover ring assembly)**

Symbol	Specifications
Nil	Without cover ring assembly
C	Clear cover has no protrusion. (Clear cover is irremovable.)
C1	Clear cover has protrusion. (Clear cover is removable.)
- Grade**

Symbol	Component parts polishing, Assembly environment
SRA	Component parts: Precision cleaning Assembly: Clean room M5.5 (Class 10000)
SRB	Component parts: General degreasing Assembly: General production line



Pressure Gauge with Switch

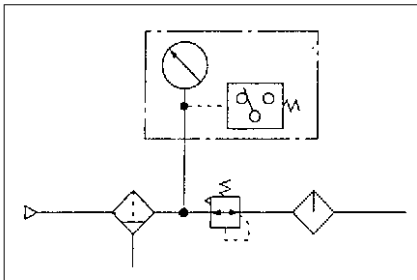
GP46

O.D.: ø42



- A pressure switch function has been added to the gauge.
- The pressure switch is equipped with a light for verifying operation.
- The pressure gauge is equipped with a limit indicator.
- To be used for verifying the supply pressure.

Circuit Example



- Be sure to read the precautions in page 14-11-15 for selection and installation.

Standard Specifications

Model		GP46
Gauge	Type	Back side thread
	Ambient and fluid temperature	-5 to 60°C (No freezing)
	Indicated pressure range	0 to 1.0 MPa
	Port size ⁽¹⁾	R 1/8, 1/4 (Option M: with M5 female thread)
	Fluid ⁽²⁾	Air
Pressure switch	Indication precision	±0.03 MPa
	Setting range ⁽³⁾⁽⁴⁾	1 to 0.8 MPa
	Hysteresis	0.07 MPa
	Pointer error ⁽⁵⁾	±0.05 MPa (5 to 40°C) ±0.08 MPa (-5 to 60°C) No freezing
	Contact	With light: 1a (Normally open) Without light: 1ab (Normally open/ Normally closed)
	Wiring	Lead wire (Length: 300 mm)
	Indicator light	AC DC Neon light Light emitting diode (LED)
Attachment: With cover ring assembly		C Part no.: 1305104-4A
Weight (kg)		0.12

- Note 1) Indicates the condition at the lower pressure limit. Use a pipe tape for sealing. Recommended tightening torque: R 1/8: Set between 7 and 9 N·m, R 1/4: 12 and 14 N·m respectively.
- Note 2) Water is not an acceptable fluid. When using the other fluids, please consult with SMC for compatibility information concerning corrosion.
- Note 3) Set value of pressure switch is indicated by pointer (green). It is the point where the circuit between N.O. (white) and COM (black) is turned off during pressure decrease. To set the value, turn needle in clockwise position to the correct value. When setting; if desired set position has been passed, turn needle in a counterclockwise direction back again beyond the desired value and then once again return needle in a clockwise direction stopping at the desired value. Value must be set while needle is traveling in a clockwise direction.
- Note 4) Make sure to provide a minimum difference of 0.1 MPa between the set pressure and the operating pressure (including the pressure drop). If the difference is smaller, it could lead to improper operation. Refer to page 14-11-15 for details on how to set the setting needle. Use caution: Operating pressure should be the sum of the pressure of the setting needle error (±0.05 MPa), the hysteresis (0.07 MPa), and the display accuracy (±0.05 MPa) on the set pressure value, or the circuit between N.O. (white) and COM (black) may not turn ON while pressure is increasing.
- Note 5) Maximum error value: Add the pressure gauge indicator error of 0.03 MPa to the setting needle error.

Model (Standard)

Model	Pressure range ⁽¹⁾ MPa	Indication unit	Connection thread	Note
GP46-10-01 to 02	0 to 1.0	MPa	R 1/8 R 1/4	—
GP46-10-01 to 02L2				
GP46-10-01 to 02L5				

- Note 1) Do not apply pressure more than the maximum display pressure. This will cause a malfunction.

Micro-switch Rated Voltage

Load	Load resistant		
	30 VDC	125 VAC	250 VAC
Rated voltage	30 VDC	125 VAC	250 VAC
Operating current range	0.01 to 0.5 A	0.01 to 0.3 A	0.01 to 0.2 A

How to Order

GP46 — 10 — 01 M L2 — C — X201

Pressure gauge with switch

Size

Symbol	Outside diameter
46	ø42.5

Max. display pressure

Symbol	Unit: MPa
10	1.0

Option

Symbol	Specifications
Nil	—
M	With M5 (Female thread)

Indicator light

Symbol	Specifications
Nil	Without indicator light
L2	Neon light (100 VAC/220 VAC)
L5	LED/24 VDC

Attachment (Cover ring assembly)

Symbol	Specifications
Nil	Without cover ring assembly
C	Clear cover has no protrusion. (Clear cover is irremovable.)

Option

Symbol	Specifications
Nil	—
X201	Lead wire length 3 m

Note 1) X3 (Wetted parts stainless steel) specification is not available.

Note 2) Part number for pressure gauge with MPa-psi units is G46-P***-X30. This will no longer be sold for use in Japan after the new Weight and Measure Act has been implemented (October, 1999).

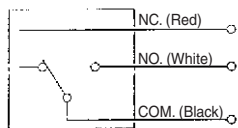
Note) Option C1 (Clear cover has protrusion. / Clear cover is removable.) is not compliant.

- F.R.L.
- AV
- AU
- AF
- AR
- IR
- VEX
- AMR
- ITV
- IC
- VBA
- VE□
- VY1
- G
- PPA
- AL

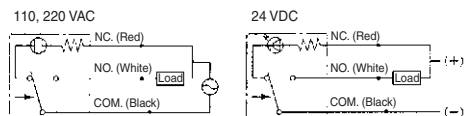
Pressure Gauge Guide

Circuit Diagram

Without indicator light



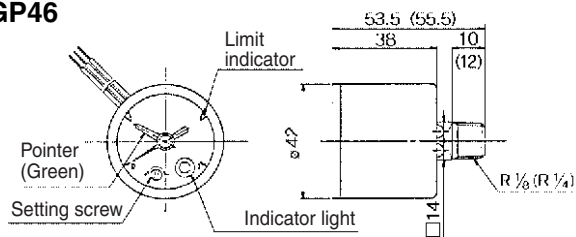
With indicator light



The arrow in the diagram indicates the direction of the pressure increase. The light turns OFF when the pressure becomes higher than the set pressure and turns ON when the pressure becomes lower than the set pressure.

Dimensions

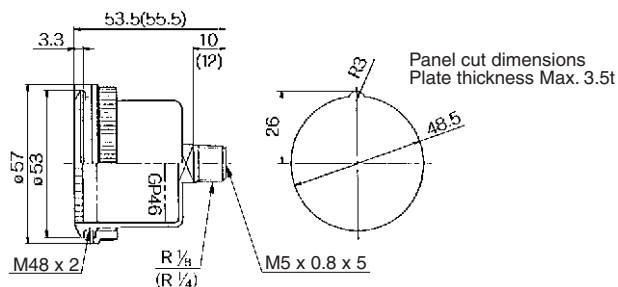
GP46



(): R 1/4

GP46: With cover ring assembly (For panel mounting)

Clear cover is not removable.

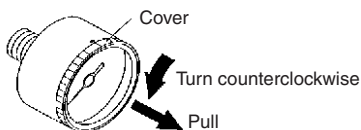


Refer to page 14-11-15 for mounting method.

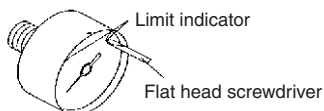
Courtesy of Steven Engineering, Inc.-230 Ryan Way, South San Francisco, CA 94080-6370-Main Office: (650) 588-9200-Outside Local Area: (800) 258-9200-www.stevenengineering.com

Procedure for Setting the Limit Gauge Indicator

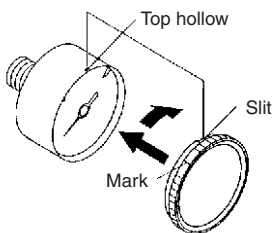
- (1) Before setting the (green) limit indicator, turn the cover counterclockwise (approximately 6 to 7 mm) until it stops. Then, remove by pulling it towards you.



- (2) Use a flat head screwdriver (with a 2.9 mm blade width) to set the (green) limit indicator. Be careful not to bend the other needle or damage the dial plate.



- (3) After completing the setting, replace the cover. Fit the cover by aligning the cutout in the cover to the groove on the top of the black case. Turn the cover clockwise (approximately 6 to 7 mm) until it stops. Make sure that the matching mark on the cover is aligned with the groove on the top of the case.



⚠️ Precautions

Be sure to read before handling. Refer to pages 14-21-3 to 14-21-4 for Safety Instructions and Common Precautions.

Selection

⚠️ Caution

- Do not apply high load voltage (current) or surge current as this can cause the switch to malfunction.
- Make sure that no direct impact or vibrations are applied to the body.
- If operating under pressure pulsations or in high frequency operations, please contact SMC.

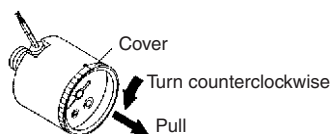
Mounting

⚠️ Caution

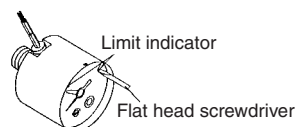
- During transport and installation, do not apply shock to the product, such as by dropping doing so will affect its precision.
- Regarding the installation posture, place it perpendicular to the ground, with the zero point on the reading of a pressure gauge facing down.
- Do not install it in an area that is exposed to high temperature or humidity, because doing so will lead to improper operation.
- To screw in the pressure gauge, make sure to turn the gauge by placing a wrench over the square wrench flats. If the pressure gauge is screwed in by holding it on some other area, air leakage or damage may result.

Procedure for Setting the Limit Gauge Indicator and the Setting Needle

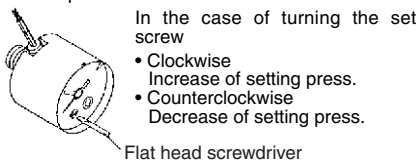
- (1) Before setting the limit indicator and the (green) setting needle, turn the cover counterclockwise (approximately 6 to 7 mm) until it stops. Then, remove by pulling it towards you.



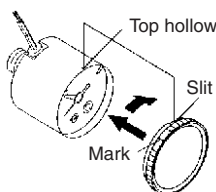
- (2) Use a flat head screwdriver (with a 2.9 mm blade width) to set the (green) limit indicator. Be careful not to bend the other needle or damage the dial plate.



- (3) Before setting the setting needle, use a flat head screwdriver (with a 2.9 mm blade width) to turn the setting screw and set the setting needle to the set pressure.

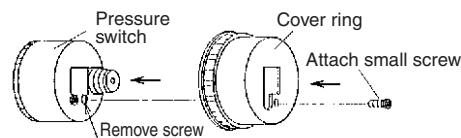


- (4) After completing the setting, replace the cover. Fit the cover by aligning the cutout in the cover to the groove on the top of the black case. Turn the cover clockwise (approximately 6 to 7 mm) until it stops. Make sure that the matching mark on the cover is aligned with the groove on the top of the case.

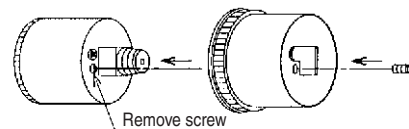


Procedure for Assembling the Cover Ring Assembly

● Pressure gauge for general purpose



● Pressure gauge with switch



- Remove the small screw (1 position) from the pressure gauge.
- Place the cover ring on the pressure gauge.
- Using the small screw that is provided with the cover ring, install the cover ring. The installation torque is 0.3 to 0.5 N·m.

F.R.L.

AV

AU

AF

AR

IR

VEX

AMR

ITV

IC

VBA

VE□

VY1

G

PPA

AL