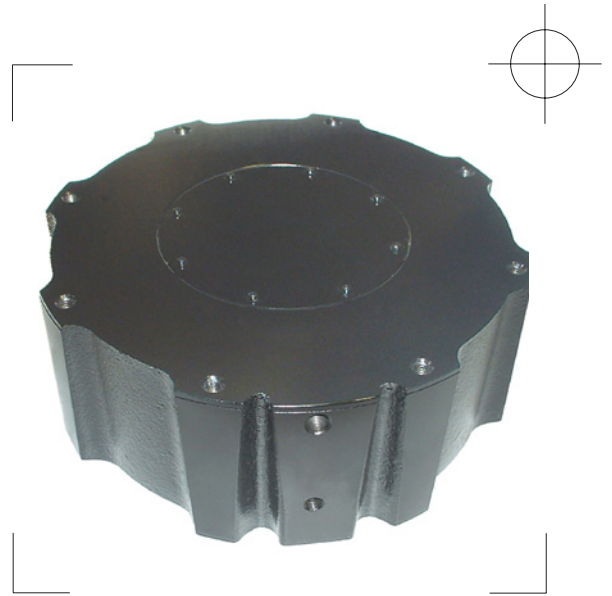


I300 High Torque Zero Backlash Brake

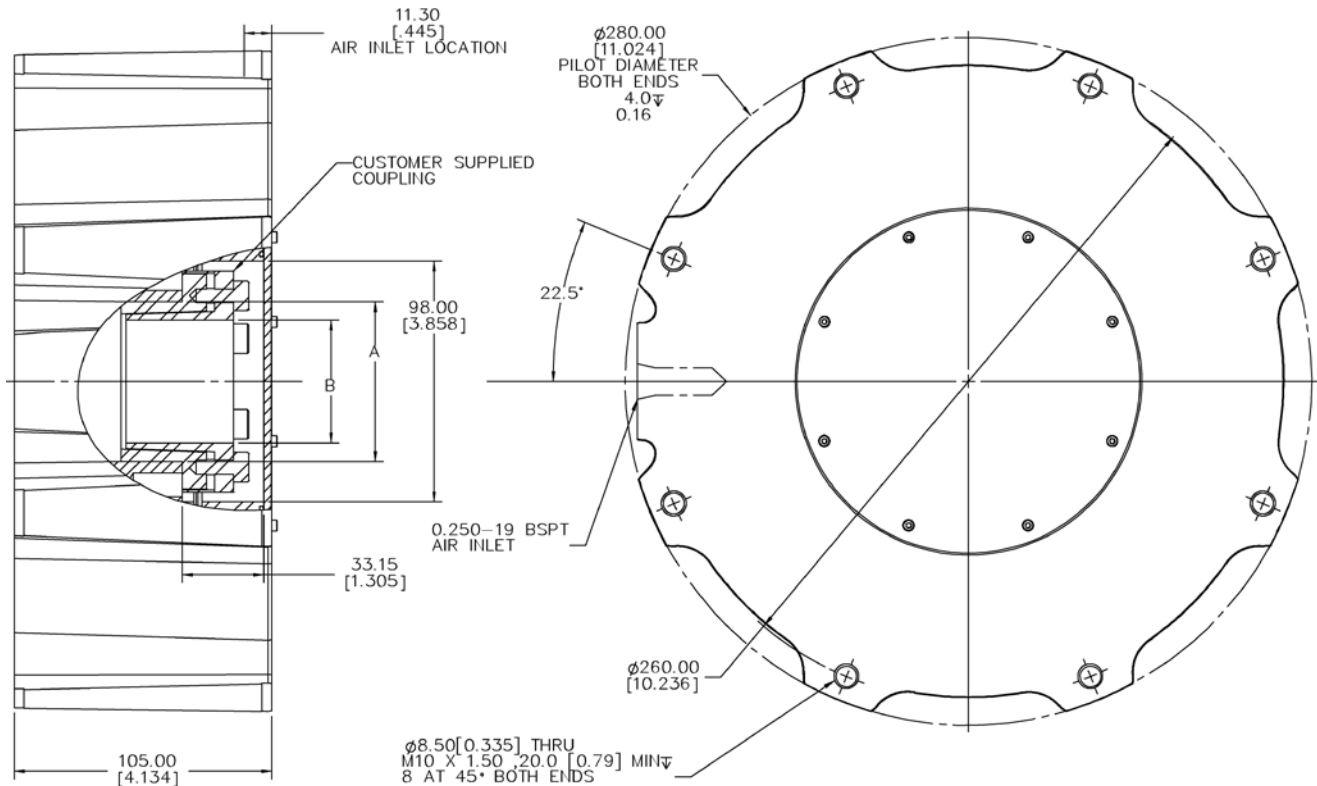
Nexen's I300 brake is designed for zero backlash holding and emergency stopping making it ideal for indexers and positioning systems. The spring engaged, air released, patented braking element locks and holds the shaft in position without any displacement or reversing of the load. It is flange or shaft mounted and has a keyless compression bushing shaft connection for easy installation and IP67 rated when flange mounted. High torque and short response time ensure the shortest possible stopping distance and precise holding. Brakes can be stacked for additional holding power or redundant braking.



Features

- Zero backlash
- Torque up to 600 Nm [5311 in-lbs]
- No shaft rotation due to brake actuation
- Shaft end or through shaft mounting
- Capable of 2000 RPM
- Spring engaged, air released
- Releases at 4.1 Bar [60 psi]
- Stackable for higher holding power or redundancy
- IP67 rated

Dimensions



Product Specifications

- Maximum Brake Torque:** 600 Nm [5300 in-lbs]
- Bore Styles Available:** Straight with or without keyway
- Maximum Bore Size:** 65mm [2.56 in] with coupling, 72.00 mm [2.835 in] with key
- Backlash:** Zero with keyless coupling
- Release Pressure:** 4.1 Bar [60 psi]
- Torsional Rigidity:** 8,341,000 Nm/rad [6,152,000 ftlb/rad]
- Rotational Inertia:** 0.0212 kgm² [0.502 lbf²]
- Dynamic Capability:** E-stops allowed, no cyclic dynamic stopping allowed
- Engagement Response Time:** 85 ms
- Ratings:** IP67 when end mounted and sealed to the machine frame
- Service Life:** 1 million holding cycles, dynamic stops application dependent
- Temperature Range:** 4 to 0° C [40 to 200° F]
- Construction:** Cast iron housing, steel coupling access cover, black paint

Product Number	Brake Bore (A)	Bore Type	Shaft Size (B)
965500	65.00 mm [2.559 in]	Coupling	Coupling Dependent
965501	72.00 mm [2.835 in]	Coupling	Coupling Dependent
965502	65.00 mm [2.559 in]	Keyed*	65.00 mm [2.559 in]

*Keyed shaft connections will add backlash
See sales drawings on the product pages on Nexen's website

Suggested Customer Supplied Couplings	
Brand	Model
B-LOC	B800
Climax Metal	170 Series
Gerwah Peter	PSV 2010.1
KTR Clampex	KTR 250
Lovejoy SLD	SLD 1900
Midas*	Compomac
Ringfeder	RfN 7110
Ringspann	RLK 110
Tollok	TLK 110
US Tsubaki	PL TF

* Couplings available in a range of bore sizes for 965500 with the 65 mm bore

nexen®

Nexen Group, Inc. (800) 843-7445
560 Oak Grove Parkway Fax: (651) 286-1099
Vadnais Heights, MN 55127 www.nexengroup.com

Nexen has sales offices throughout the United States, Europe, Japan, and Australia. Form No. L-21243-B-0211