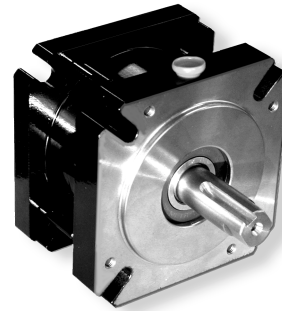


## Eclipse Servo Motor Brake

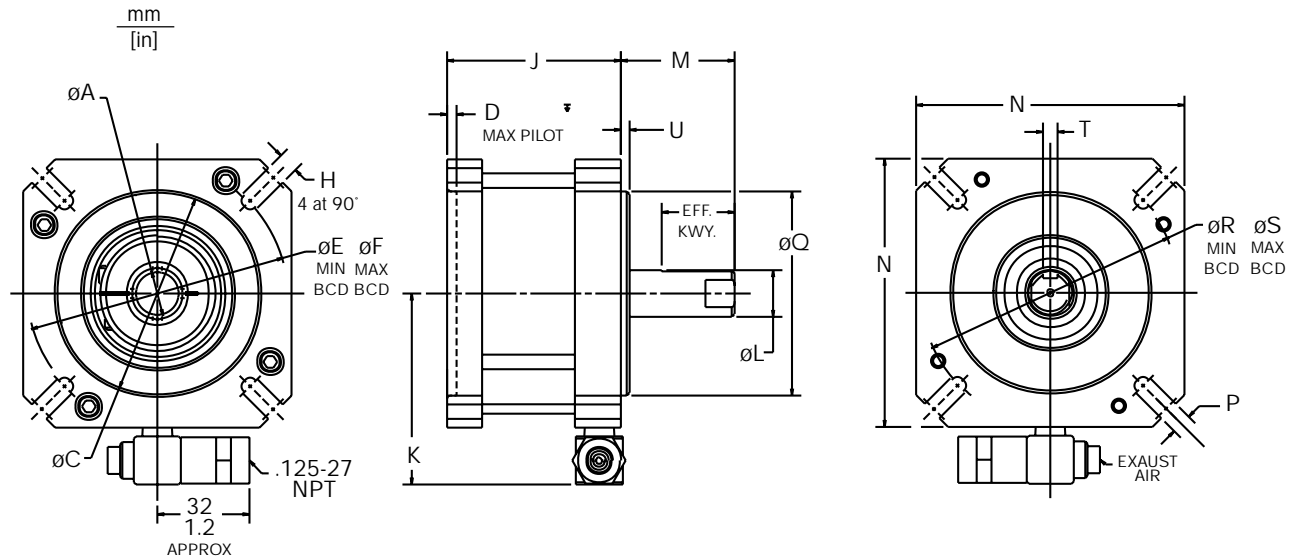
Flange Mounted, Air Engaged,  
Spring Released  
Sizes 2, 3, 4, and 5

The Eclipse Servo Motor Brake family now includes a line of air-engaged servo motor brakes. With superior torque outputs, the air-engaged models provide rugged durability for dynamic stopping applications. These brakes offer consistent long-lasting performance with virtually no maintenance needed.



- Air engaged, spring released
- Optimal performance in dynamic stopping applications
- Mount with true pilot mounting
- High torque when compared to electric brakes
- Zero backlash for precision holding
- Bi-directional braking
- Long facing life
- Simple installation with split hub/shaft collar
- Provides quick, safe stops and holds
- Cool operation, high efficiency, less energy consumption
- Designed for horizontal or vertical applications

# Eclipse Servo Motor Brake, Approximate Dimensions & Specifications



## Dimensions

Size	Product Number	A <sup>+</sup> +03 -00 +001 -000	C <sup>+</sup> +03 +06 +001 +002	D	E	F	H	J	K	L <sup>+</sup> +00 -03 +000 -001	M	N	P	Q <sup>+</sup> +00 -03 +000 -001	R	S	T	U	KWY
2	964621	14.00 [0.551]	60.00 [2.363]	3.1 [0.123]	75 [2.953]	92 [3.603]	6 [0.24]	49 [1.94]	56 [2.2]	14.00 [0.551]	30 [1.16]	74 [2.92]	6 [0.24]	60.00 [2.363]	75 [2.953]	92 [3.603]	5 [0.197]	1.5 [0.060]	17 [0.67]
3	964731	16.00 [0.630]	70.00 [2.756]	3.3 [0.128]	90 [3.543]	105 [4.131]	7 [0.28]	60 [2.35]	65 [2.6]	16.00 [0.630]	39 [1.54]	92 [3.62]	7 [0.28]	70.00 [2.756]	90 [3.543]	105 [4.131]	5 [0.197]	3.0 [0.12]	25 [0.98]
4	964850	19.00 [0.748]	110.00 [4.331]	3 [0.138]	125 [4.950]	150 [5.904]	10 [0.39]	80 [3.13]	82 [3.2]	19.00 [0.748]	40 [1.575]	125 [4.92]	10 [0.39]	110.00 [4.331]	130 [5.118]	150 [5.904]	6 [0.2362]	2.3 [0.090]	28 [1.102]
5	964950	24.00 [0.945]	130.00 [5.118]	6.2 [0.242]	150 [5.906]	186 [7.335]	12 [0.47]	90 [3.56]	95 [3.7]	24.00 [0.945]	50 [1.969]	150 [5.92]	12 [0.47]	130.00 [5.118]	165 [6.496]	186 [7.335]	8 [0.3150]	2.4 [0.094]	33 [1.299]

\* These dimensions (A, C, L, Q) can be custom made for true pilot mounting. Contact factory for details.

## Specifications

Size	Static Torque <sup>1</sup>	Recommended Max RPM <sup>3</sup>	Torsional Rigidity <sup>2</sup>	Inertia <sup>3</sup>	Thermal HP <sub>T</sub>	Shipping Weight
2	1.9 Nm [17 in-lb]	9000	4431 Nm/rad [3267 ft-lb/rad]	0.197 kg-cm <sup>2</sup> [1.74 x10 <sup>-4</sup> in-lb-s <sup>2</sup> ]	56 watts [0.075 HP <sub>T</sub> ]	1.1 kg [2.5 lbs]
3	11.3 Nm [100 in-lb]	8000	5287 Nm/rad [3900 ft-lb/rad]	0.680 kg-cm <sup>2</sup> [6.02 x10 <sup>-4</sup> in-lb-s <sup>2</sup> ]	104 watts [0.14 HP <sub>T</sub> ]	2.0 kg [4.5 lbs]
4	22.6 Nm [200 in-lb]	5000	7456 Nm/rad [5500 ft-lb/rad]	2.43 kg-cm <sup>2</sup> [2.15 x10 <sup>-3</sup> in-lb-s <sup>2</sup> ]	135 watts [0.18 HP <sub>T</sub> ]	4.5 kg [9.9 lbs]
5	45.2 Nm [400 in-lb]	4500	23448 Nm/rad [17294 ft-lb/rad]	11.65 kg-cm <sup>2</sup> [1.02 x10 <sup>-2</sup> in-lb-s <sup>2</sup> ]	149 watts [0.20 HP <sub>T</sub> ]	7.5 kg [16.6 lbs]

<sup>1</sup> Rated at 80 PSI  
<sup>2</sup> Estimated Value  
<sup>3</sup> Calculated Value

In accordance with Nexen's established policy of constant product improvement, the specifications contained in this document are subject to change without notice. Technical data listed in this document are based on the latest information available at the time of printing and are also subject to change without notice. For current information, please consult [www.nexengroup.com](http://www.nexengroup.com)

## nexen®

Nexen Group, Inc.  
 560 Oak Grove Parkway  
 Vadnais Heights, MN 55127

800.843.7445  
 Fax: 651.286.1099  
[www.nexengroup.com](http://www.nexengroup.com)

ISO 9001 Certified

©2001 Nexen Group, Inc.  
 L-21092-A-0601