

Section Overview

Rely on Littelfuse for short circuit protection of telecommunications circuits and sensitive DC power distribution circuits



TELECOM PRODUCTS

Table of Contents

<i>L17T Series Telecommunications Power Fuse.....</i>	<i>57</i>
<i>TLN Series Telecommunications Power Fuse</i>	<i>58</i>
<i>TLS Series Telecommunications Power Fuse.....</i>	<i>59</i>
<i>Alarm Indicating Fuses.....</i>	<i>60</i>
<i>LTFD 101 Series Telecommunications Disconnect Switch.....</i>	<i>61</i>

L17T SERIES TELECOMMUNICATIONS POWER FUSE

170 VDC • Current-Limiting • 70-1200 Amperes



Description

Specifically designed for short-circuit protection of telecommunications circuits, the Littelfuse L17T series fuses provide reliable protection of sensitive DC power distribution systems. Constructed with silver plated elements for low I^2t and peak let-through, these advanced fuses virtually eliminate equipment damage due to surges and spikes. The L17T series fuse unique element geometry also provides cooler running temperatures, helping to minimize heat within enclosures.

Features

- Low I^2t
- Extremely current-limiting
- Low operating temperature
- 170 VDC rating

Specifications

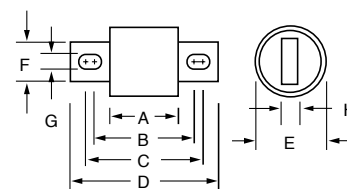
Voltage Rating: 170 VDC
Interrupting Rating: 100 kA
Ampere Range: 70 – 1200 A
Approvals: UL Recognized (File No. E71611)
 CSA Recognized (File No. LR29862)

Ordering Information

AMPERE RATINGS						
70	100	175	250	400	600	1000
80	125	200	300	450	800	1100
90	150	225	350	500	900	1200

SERIES	VOLTAGE	AMPERAGE	CATALOG NUMBER	SYSTEM NUMBER
L17T	170	1200	L17T 1200	L17T1200V

Dimensions in inches (mm)



AMPERE RATING	DIMENSIONS IN INCHES (mm)							
	A	B	C	D	E	F	G	H
70 – 250	1 ⁵ / ₃₂ (29.4)	1 ⁷ / ₁₆ (47.6)	2 ³ / ₁₆ (55.6)	2 ² / ₃₂ (67.5)	1 (25.4)	7/ ₁₆ (22.2)	5/ ₁₆ (7.9)	3/ ₁₆ (4.8)
300 – 800	1 ¹ / ₄ (31.8)	1 ¹⁵ / ₁₆ (49.2)	2 ⁹ / ₁₆ (65.1)	3 ¹ / ₂ (88.9)	1 ¹ / ₂ (38.1)	1 (25.4)	1 ³ / ₃₂ (10.3)	1/ ₄ (6.35)
900–1200	1 ¹¹ / ₃₂ (34.0)	—	—	4 ¹ / ₁₆ (103.1)	—	1 ¹ / ₂ (38.1)	—	1/ ₄ (6.35)

Web Resources

For additional information, visit:
www.littelfuse.com/L17t

Recommended Fuseholders

LTFD 6001 and LTFD 1200 series—see website:
www.littelfuse.com/lbfd

TLN SERIES TELECOMMUNICATIONS POWER FUSE

170 VDC • Current-Limiting • 1-600 Amperes



Specifications

Voltage Rating: 170 VDC
Interrupting Rating: 100 kA
Ampere Range: 1 – 600 A
Approvals: UL Recognized (File No. E71611)

Ordering Information

AMPERE RATINGS						
1	15	40	80	150	300	600
3	20	45	90	175	350	—
5	25	50	100	200	400	—
6	30	60	110	225	450	—
10	35	70	125	250	500	—

SERIES	VOLTAGE	AMPERAGE	CATALOG NUMBER	SYSTEM NUMBER
TLN	170VDC	6	TLN006	OTLN006.T

Replaces competitors' TPN and TGN Series.

Web Resources

For additional information, visit:
www.littelfuse.com/tln

Recommended Fuseholders

LFR25 Series pg. 90

Description

The TLN Series fuses are specifically designed for the protection of telecommunications DC power distribution circuits.

Features

- 170 VDC rating
- Fast-acting and current-limiting
- 1 to 600 amperes rating
- Dimensionally similar to 250 V Class R fuses

Dimensions in inches (mm)

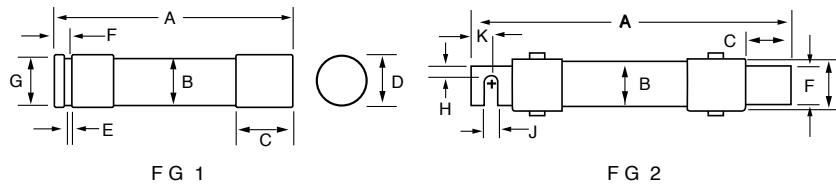


Figure 1

AMPERE RATING	DIMENSIONS IN INCHES (mm)									
	A	B	C	D	E	F	G	H	J	K
1 – 30	2 (50.8)	½ (12.7)	½ (12.7)	9/16 (14.3)	5/64 (2.0)	5/32 (4.0)	3/8 (9.5)	—	—	—
35 – 60	3 (76.2)	¾ (19.1)	5/8 (15.9)	13/16 (20.6)	3/32 (2.4)	3/16 (4.8)	5/8 (15.9)	—	—	—

Figure 2

AMPERE RATING	DIMENSIONS IN INCHES (mm)									
	A	B	C	D	E	F	G	H	J	K
70 – 100	5 7/8 (149.2)	1 (25.4)	1 1/16 (27.0)	1 1/16 (27.0)	1/8 (3.2)	3/4 (19.1)	1 1/4 (31.6)	1/4 (6.4)	9/32 (7.1)	1/2 (12.7)
110 – 200	7 1/8 (181.0)	1 1/2 (38.1)	1 15/32 (37.3)	1 9/32 (40.5)	3/16 (4.8)	1 1/8 (28.6)	1 27/32 (46.8)	7/16 (11.1)	9/32 (7.1)	1 1/16 (17.5)
225 – 400	8 5/8 (219.1)	2 (50.8)	1 15/16 (49.2)	2 3/32 (53.2)	1/4 (6.4)	1 5/8 (41.3)	2 11/32 (59.5)	5/8 (15.9)	1 3/32 (10.3)	1 5/16 (23.8)
450 – 600	10 3/8 (263.5)	2 1/2 (63.5)	2 3/8 (60.3)	2 19/32 (65.9)	1/4 (6.4)	2 (50.8)	2 27/32 (72.2)	3/4 (19.1)	1 7/32 (13.5)	1 1/8 (28.6)

TLS SERIES TELECOMMUNICATIONS POWER FUSE

170 VDC • Current-Limiting • 1-125 Amperes



Description

Littelfuse TLS Series fuses are designed specifically for the protection of telecommunications equipment. TLS fuses have been engineered to operate up to 170 VDC to provide current-limiting short-circuit protection for cables and components found in the DC power distribution circuits of telecommunications systems. The compact design and multiple mounting configurations of the TLS series allow it to be used in a variety of applications.

Features

- 170 VDC rating
- Current-limiting
- 1 to 125 amperes rating
- Multiple mounting configurations
- RoHS Compliant

Specifications

Voltage Rating:	170 VDC
Interrupting Rating:	100 kA
Ampere Range:	1 – 125 A
Approvals:	UL Recognized (File No. E71611)
Construction:	Caps: Silver-plated brass
Body:	Glass melamine

Ordering Information

AMPERE RATINGS				
1	6	25	50	90
2	10	30	60	100
3	15	35	70	110*
5	20	40	80	125*

*Available in cartridge only.
Note: To order leaded versions of TLS fuses, add suffix V, L, LB, or LS to part number.

SERIES	VOLTAGE	AMPERAGE	CATALOG NUMBER	SYSTEM NUMBER
TLS	170VDC	6	TLS006V	OTLS006.TXV

Replaces competitors' TPS and TGS Series.

Web Resources

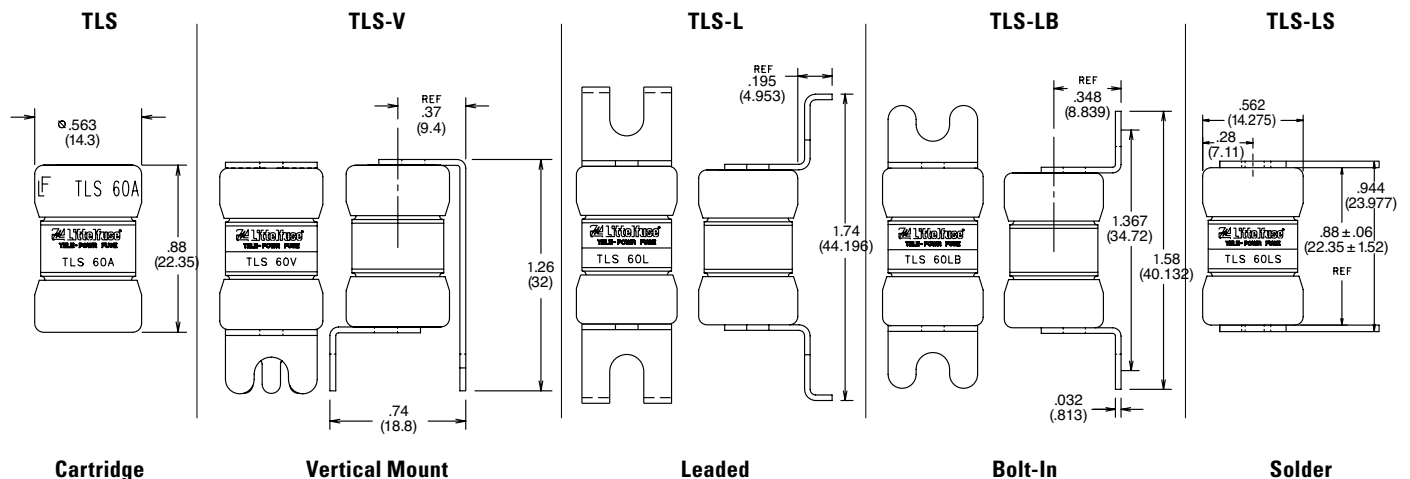
For additional information, visit: www.littelfuse.com/tls

Recommended Fuseholders

LTFD series disconnect switchespg. 61
LFT30060 for TLS series cartridge style fusepg. 95
Contact factory for more information.

Contact Littelfuse for characteristic curves. Dimensions for reference only.

Dimensions in inches (mm)



TELECOMMUNICATIONS POWER FUSES

Alarm Indicating Fuses



70 Series Alarm Indicating Fuses

Description

The 70 Series alarm indicating fuses are designed for use in telecommunications equipment. A color coded tip provides visual identification of the ampere rating and the fuse status.

Features

- Color coded tip
- Rated 125 VAC, 300 VDC

Specifications

Voltage Ratings:	125 VAC 300 VDC
Interrupting Ratings:	1,000 A @ 125 VAC 1,000 A @ 300 VDC

Ordering Information

AMPERE RATINGS				
100 mA	200 mA	500 mA	2	5
150 mA	250 mA	750 mA	3	8
180 mA	350 mA	1.33	3.5	10

10 MINUTE RATING	CATALOG NUMBER	SYSTEM NUMBER	COLOR CODE
100 mA	70P	70P0000Z	GREY/WHITE
150 mA	70R	70R0000Z	RED/WHITE
180 mA	70E	70E0000Z	YELLOW
200 mA	70X	70X0000Z	BLACK
250 mA	70F	70F0000Z	VIOLET
250 mA	70K	70K0000Z	VIOLET/WHITE
350 mA	70S	70S0000Z	GRAY
500 mA	70G	70G0000Z	RED
750 mA	70H	70H0000Z	BROWN
1.33 A	70A	70A0000Z	WHITE
2 A	70B	70B0000Z	ORANGE
3 A	70C	70C0000Z	BLUE
3.5 A	70J	70J0000Z	BLACK/WHITE
5 A	70D	70D0000Z	GREEN/BLACK
8 A	70M	70M0000Z	TAN/WHITE
10 A	70N	70N0000Z	YELLOW/PURPLE

Web Resources

For additional information, see website:
www.littelfuse.com/70



481 Series Alarm Indicating Fuses

Description

For telecommunications equipment and similar applications. Color coded indicator flags indicate ampere rating. Body is constructed of black polyphenylene sulfide with UL94-V0 flammability rating, contacts are of bright alloy-plated beryllium copper. Available with or without protective lens.

Specifications

Voltage Rating:	125 VAC/DC
Approvals:	UL Recognized CSA Recognized

Ordering Information



AMPERE RATINGS						
18/100	3/8	3/4	1 1/2	3	5	12
1/5	1/2	1	2	3 1/2	7 1/2	15
1/4	65/100	1/3	1/2	4	10	20

SERIES	VOLTAGE	AMPERAGE	CATALOG NUMBER	SYSTEM NUMBER
481	125 AC/DC	2	481002L	0481002.VXL

Note: For 481 Dummy fuse, order 481000.

Recommended Fuseholders

482 Series, see website: www.littelfuse.com/482
Available 1-20 pole with PCB or panel mounting.
To order with protective lens add suffix XL.

Web Resources

For additional information, see website:
www.littelfuse.com/481

LTFD 101 SERIES TELECOMMUNICATIONS DISCONNECT SWITCH

80 VDC • 1-125 Amperes



Specifications

Voltage Rating: 80 VDC
Ampere Range: 1 – 125 A
Approvals: UL Recognized (File No. E122674)

Recommended Fuses

Littelfuse TLS Series fuses pg. 59

Ordering Information

SERIES	AMPERAGE	CATALOG NUMBER	SYSTEM NUMBER	TERMINAL TYPE
LTFD	125 A MAX	LTFD101-1	LTFD0101ZX1	BULLET
LTFD	125 A MAX	LTFD101-2	LTFD0101ZX2	SCREW
LTFD	125 A MAX	LTFD101-3	LTFD0101ZX3	STUD
LTFD	70 A MAX	LTFD101-4	LTFD0101ZX4	CLIP

Web Resources

For additional information, visit:
www.littelfuse.com/lbfd101

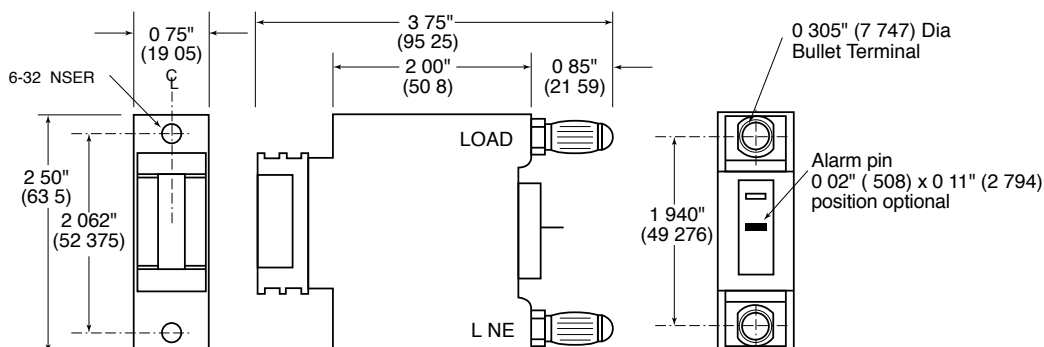
Description

Littelfuse compact LTFD 101 fuseholders for TLS fuses are designed for quick installation into telecom equipment panels. Their modular design fits into spaces originally designed for circuit breakers and can be front panel mounted or rear mounted using bullet connectors. The innovative new pull-out design eliminates the need for tools to replace fuses and includes an alarm signaling circuit to identify the blown fuse.

Features

- Extremely compact
- Quick mounting
- Replaces circuit breakers
- Includes alarm signaling circuit

Dimensions in inches (mm)



Dimensions for reference only. For additional options and dimensions, contact the factory.