

LinMot F01-48 F-Guide Series



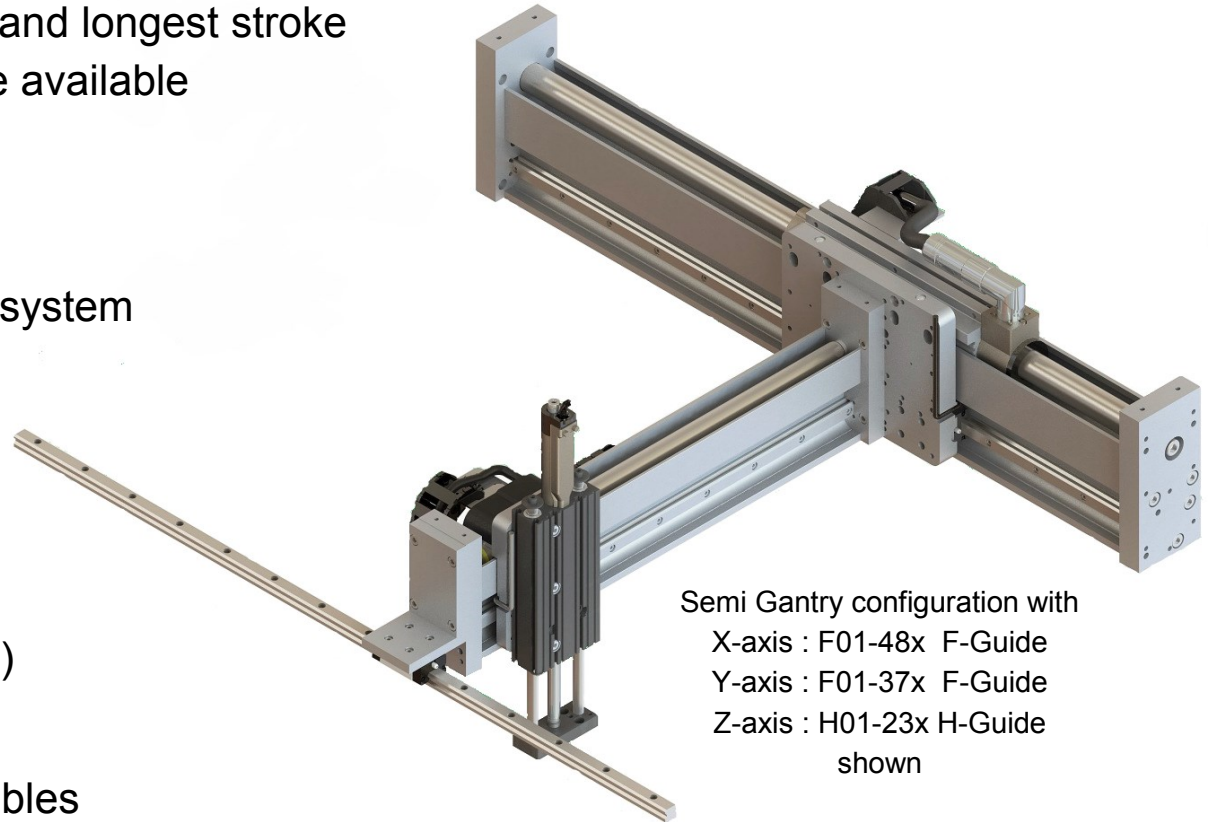
Motor Design

- Moving stator from the P01-48x series family of linear motors
- PS01-48x240F offers highest velocity and longest stroke
- PS01-48x360F doubles the peak force available
- Peak forces of up to 1024N (230lb)

Mechanical Design

- Industry leading high speed linear rail system
- Special Aluminum profile
- High precision profile rail guide
- Multiple gantry configurations
- High speed Pick&Place
- Max velocity of 3m/s (118in/s)
- Max acceleration of 50m/s² (1968in/s²)

- High-flex trailing chains to organize cables
- Easy Z-axis mountings with
 - ◆ PR01 Linear Rotary Motor ◆ H-Guides ◆ B-Guides
- Options for External Position Sensors with +/- .01mm (.0004”) repeatability



Semi Gantry configuration with
X-axis : F01-48x F-Guide
Y-axis : F01-37x F-Guide
Z-axis : H01-23x H-Guide
shown

LinMot F01-48 F-Guide Series



F01-48x Guides

Description	Total length	Stroke w/ PS01-48x240F	Stroke w/ PS01-48x360F
F01-48x500	540 mm	200 mm (7.8")	80 mm (3.1")
F01-48x620	660 mm	320 mm (12.5")	200 mm (7.8")
F01-48x800	840 mm	500 mm (19.6")	380 mm (14.9")
F01-48x1010	1050 mm	710 mm (27.9")	590 mm (23.2")
F01-48x1220	1260 mm	920 mm (36.2")	800 mm (31.4")
F01-48x1400	1440 mm	1100 mm (43.3")	980 mm (38.5")
F01-48x1610	1650 mm	1310 mm (51.5")	1190 mm (46.8")
F01-48x1820	1860 mm	1520 mm (59.8")	1400 mm (55.1")
F01-48x2000	2040 mm	1700 mm (66.9")	1580 mm (62.2")
F01-48x2210	2250 mm	1960 mm (77.1")	Not Available
F01-48x2450	2490 mm	2150 mm (84.6")	Not Available

F01-48x Motors

Description	Units	Stator PS01-48x240F	Stator PS01-48x360F
Peak Force	N (lbf)	550 (123.6)	1024 (230.1)
Continuous Force	N (lbf)	145 (32.6)	203 (45.7)
Max Phase Current @ 72V	A	26	32
Total Moving Mass	g (lb)	4900 (10.8)	6250 (13.8)
Repeatability	mm (in)	+/- 0.05 (.002)	+/- 0.05 (.002)
Repeatability with Ext. Sensor	mm (in)	+/- 0.01 (.0004)	+/- 0.01 (.0004)
Max Velocity	m/s (in/s)	3 (118)	3 (118)
Max Acceleration	m/s ² (in/s ²)	50 (1968)	50 (1968)

