

LinMot 316L stainless steel H01-Guides



Direct linear motor technology from LinMot

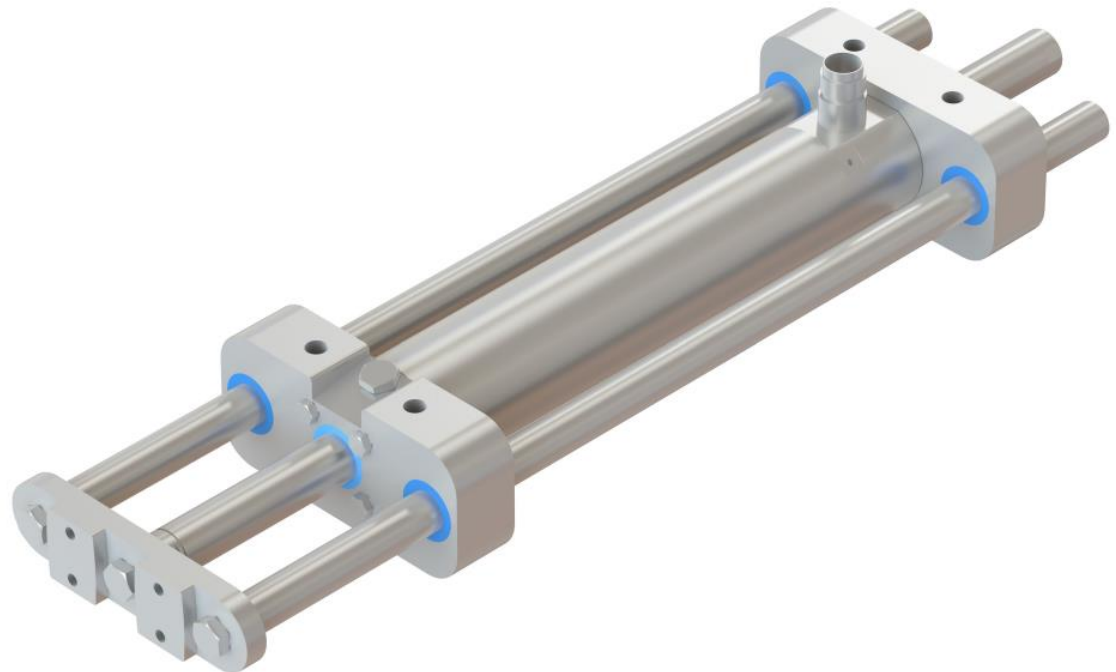
- Three power classes
- Fluid Cooled versions for highest continuous force
- Max velocity up to 3.4 m/s (134 in/s)
- Max peak Force up to 496 N (111 lbf)
- Single cable for power and sensors

IP69K design for wash down and CIP

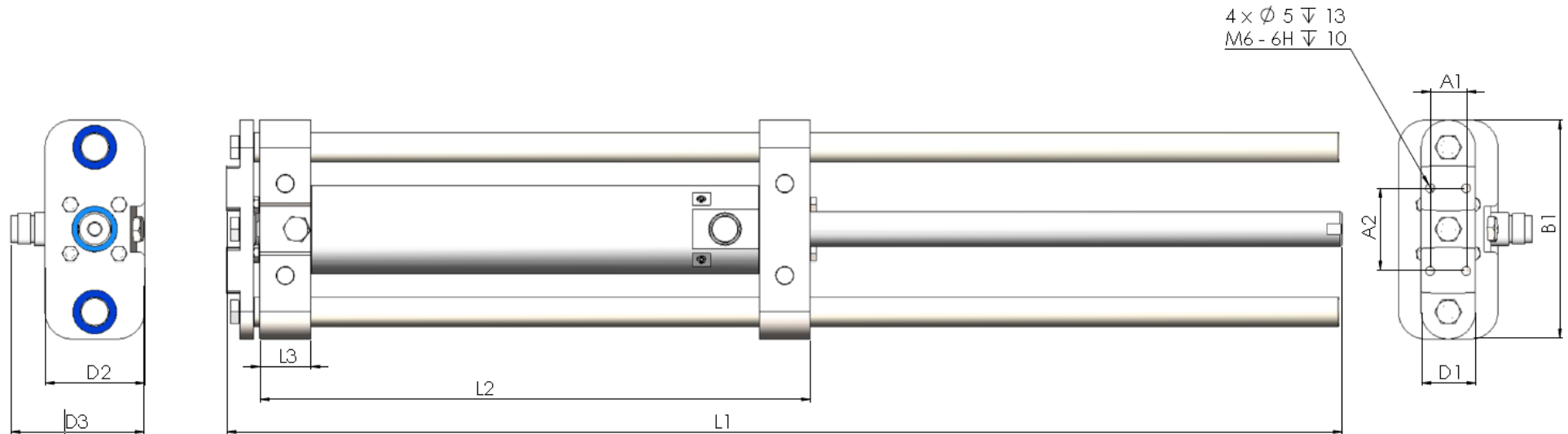
- No seals, all parts laser welded
- Sloped surfaces
- Purging tap

Full stainless steel AISI 316L design

- Full stainless steel AISI 316L (1.4404, V4A) design
- Hardened AISI 316L rods
- Plain bearings with FDA approved material



LinMot 316L stainless steel H-Guides



Guide	Stator (-FC =Fluid cooled)	Slider	Peak Force	Cont. Force	Stroke	L1	L2	B1	D2
H01-37x304/190-SSC	PS01-37x120F-HP-SSC-R (-FC)	PL01-19x500/420	210 N (210 N)	24 N (65 N)	190 mm	517 mm	304 mm	120 mm	55 mm
H01-37x304/290-SSC	PS01-37x120F-HP-SSC-R (-FC)	PL01-19x600/520	210 N (210 N)	24 N (65 N)	290 mm	617 mm	304 mm	120 mm	55 mm
H01-37x304/390-SSC	PS01-37x120F-HP-SSC-R (-FC)	PL01-19x700/620	210 N (210 N)	24 N (65 N)	390 mm	717 mm	304 mm	120 mm	55 mm
H01-48x401/210-SSC	PS01-48x240F-SSC-C (-FC)	PL01-27x620/540	496 N (496 N)	86 N (241N)	210 mm	637 mm	401 mm	125 mm	68 mm
H01-48x401/300-SSC	PS01-48x240F-SSC-C (-FC)	PL01-27x710/630	496 N (496 N)	86 N (241N)	300 mm	727 mm	401 mm	125 mm	68 mm
H01-48x401/390-SSC	PS01-48x240F-SSC-C (-FC)	PL01-27x800/720	496 N (496 N)	86 N (241N)	390 mm	817 mm	401 mm	125 mm	68 mm
H01-48x401/510-SSC	PS01-48x240F-SSC-C (-FC)	PL01-27x920/840	496 N (496 N)	86 N (241N)	510 mm	937 mm	401 mm	125 mm	68 mm