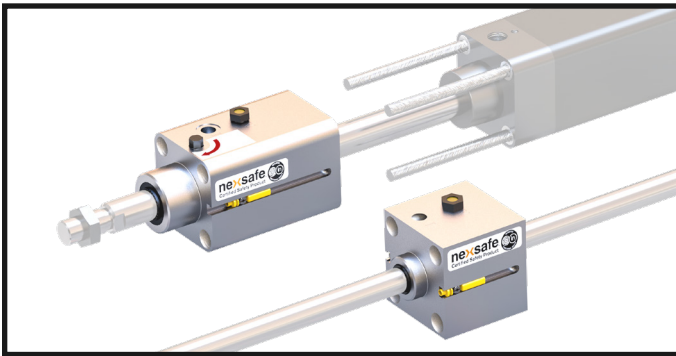


Making Safety a Priority

NexSafe™ Functional Safety certified Rod Locks, Rail Brakes and Servomotor Brakes provide a verified, reliable solution that machine builders can depend on. With ISO 13849-1 Functional Safety Certification by Intertek®, these brakes are capable of Categories B through 4 and Performance Levels PLa through PLe. With spring engaged air released functionality, these products are default to lock, ideal for emergency stopping and holding applications.



NexSafe™ Functional Safety Certified Rod Lock.

Precision holding with guide rod systems and NFPA or ISO cylinders.

Safety Features:

- Multiple springs
- Engagement and Disengagement sensors available
- B_{10D} of 2 million cycles

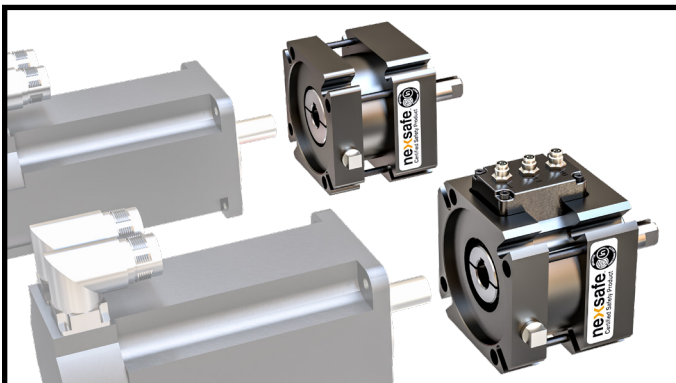


NexSafe™ Functional Safety Certified Rail Brake.

Compact and powerful brakes compatible with most profile guide rails and carriages.

Safety Features:

- Multiple springs
- Multiple actuators
- Engagement and Disengagement sensors available
- B_{10D} of 4 million cycles

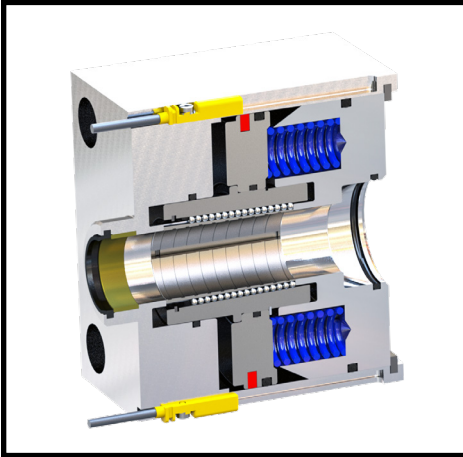


NexSafe™ Functional Safety Certified Servomotor Brake.

Powerful, high-torque brake installed between the servo motor and the gearbox.

Safety Features:

- Multiple springs
- Integral clamp collar with backup keyway
- Engagement, Disengagement and Wear sensors available
- B_{10D} of 2 million cycles



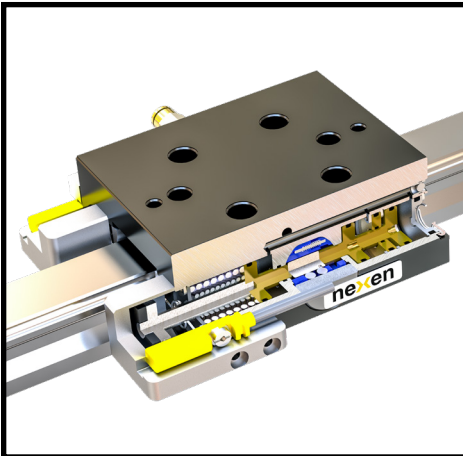
NexSafe™ Functional Safety Certified Rod Lock.

- Large clamping area means no rod wear
- Can be stacked for additional force
- Meets IP67 standards
- Emergency stopping and holding
- Spring-engaged, air-released
- Extremely low backlash
- Can be used in all orientations
- Cylinder mount or stand alone



- ✓ CAT 4 PL e
- ✓ SIL 3

Certificate NO. FS-CRT-0007
intertek.com/directories/



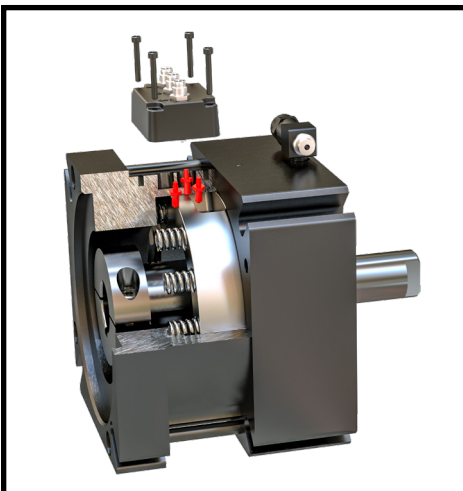
NexSafe™ Functional Safety Certified Rail Brake.

- Emergency stopping and holding
- Brake geometry matches rail system
- Models to fit most guide rail systems
- High clamping force
- Low backlash
- Spring-engaged, air-released
- Holds in all orientations



- ✓ CAT 4 PL e
- ✓ SIL 3

Certificate NO. FS-CRT-0006
intertek.com/directories/



NexSafe™ Functional Safety Certified Servomotor Brake.

- Sizes to fit all servo motors
- Meets IP67 standards
- Emergency stopping and holding
- Enough torque to stall servo motor
- Spring-engaged, air-released
- Zero backlash
- Long facing life
- Can be used in all orientations
- Low inertia



- ✓ CAT 4 PL e
- ✓ SIL 3

Certificate NO. FS-CRT-0008
intertek.com/directories/

nexen®

Nexen Group, Inc.
560 Oak Grove Parkway
Vadnais Heights, MN 55127

(800) 843-7445
Fax: (651) 286-1099
www.nexengroup.com

Nexen has sales offices throughout the United States, Europe, Japan, and Australia.