


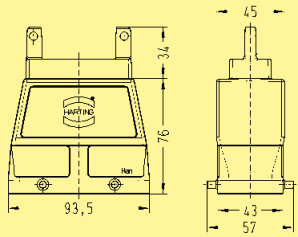
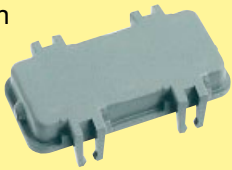
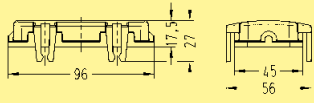

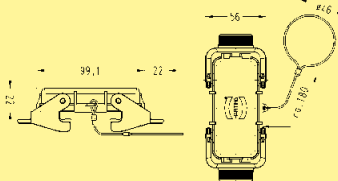


Metal hoods/housings for industrial applications / 2 lever locking system


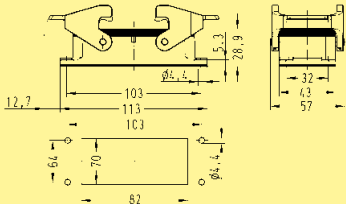
Identification	Image	Part number		Pg	Drawing	Dimensions in mm
		Low construction	High construction			
Hoods side entry		<b>09 30 016 1520</b>		1 x 21		62,5 93,5 43 57
side entry			<b>09 30 016 0520</b> <b>09 30 016 0521</b>	1 x 21 1 x 29		76 93,5 43 57
angled entry			09 30 016 0663	2 x 21		Pg 36 76 93,5 45 43 57
Hoods top entry		<b>09 30 016 1420</b>		1 x 21		Pg 93,5 43 57 16 45
top entry			<b>09 30 016 0420</b> <b>09 30 016 0421</b>	1 x 21 1 x 29		Pg 93,5 43 57 16 76
top entry			09 30 016 0459 09 30 016 0462	2 x 16 2 x 21		Pg 36 76 93,5 45 43 57
Hoods without cable entry			09 30 016 0801	—		76 93,5 45 43 57

Han Hoods  
Housings

Metal hoods/housings for industrial applications / 2 lever locking system

Identification	Part number		Pg	Drawing	Dimensions in mm
	Low construction	High construction			
<p>Hoods</p> <p>flat cable entry Set of seals see chapter 40</p> 		<b>09 30 016 4411</b>			
<p>Dust protection cover</p> 	<p>plastic <b>09 30 016 5401</b></p>	<p>plastic <b>09 30 016 5401</b></p>			
<p>Protection covers</p> 	<p>metal <b>09 30 016 5422</b></p>	<p>metal <b>09 30 016 5422</b></p>			

Metal hoods/housings for industrial applications / 2 lever locking system

Identification	Part number		Pg	Drawing	Dimensions in mm
	Low construction	High construction			
<p>Housings, bulkhead mounting</p> 	<b>09 30 016 0301</b>				
				<p>Panel cut out</p>	

Han Hoods  
Housings



Metal hoods/housings for industrial applications / 2 lever locking system

Identification	Part number	Pg	Drawing	Dimensions in mm
Housings, surface mounting side entry  side entry	<b>09 30 016 1230</b> <b>09 30 016 1270</b>	1 x 21 2 x 21		
Protection covers	plastic <b>09 30 016 5405</b>	plastic <b>09 30 016 5405</b>		
	metal <b>09 30 016 5425</b>	metal <b>09 30 016 5425</b>		
Hoods, cable to cable top entry  top entry	<b>09 30 016 1730</b>	1 x 21		
Protection covers	metal <b>09 30 016 5426</b>	metal <b>09 30 016 5426</b>		

Han Hoods Housings

## Han® 3 A Standard Hoods/Housings

### Metal hoods/housings for industrial applications

Material	zinc die-cast
Colour	RAL 7037 (grey)
Surface	powder-coated
Locking element	steel, zinc-plated
Lever type	lever, metal
Hoods/Housings seal	NBR
Limiting temperatures	-40 °C ... +125 °C
Flammability acc. to UL 94	V 0
Degree of protection acc. to DIN EN 60 529 for coupled connector	IP 44 IP 67 is achieved with seal screw 09 20 000 9918

## Han-Drive® Housings for motor applications

Material	aluminium die-cast
Colour	non coloured / RAL 7037 (grey)
Surface	electrical conductive / powder-coated / unpainted
Locking element	Stainless steel
Lever type	Han-Easy Lock®
Hoods/Housings seal	NBR
Limiting temperatures	-40 °C ... +125 °C
Approval acc. to UL 50	NEMA Type 4/4X/12
Degree of protection acc. to DIN EN 60 529 for coupled connector	IP 65

## Han® 3 A Hoods/Housings

### Plastic hoods/housings for industrial applications

Material	thermoplastic
Colour	RAL 7032 (light grey) / RAL 9005 (black)
Lever type	lever, plastic
Hoods/Housings seal	NBR
Limiting temperatures	-40 °C ... +125 °C
Approval acc. to UL 50	NEMA Type 4/4X/12
Flammability acc. to UL 94	V 0
Degree of protection acc. to DIN EN 60 529 for coupled connector	IP 67

## Han® 3 M Hoods/Housings

### Hoods/Housings for higher environmental requirements

Material	zinc die-cast
Colour	RAL 9005 (black)
Surface	- Top coat Epoxy powder paint
Locking element	Stainless steel
Lever type	lever, metal
Hoods/Housings seal	FPM
Limiting temperatures	-40 °C ... +125 °C
Corrosion resistance	ASTM B117-09 (500 h)
Degree of protection acc. to DIN EN 60 529 for coupled connector	IP 44 IP 67 is achieved with seal screw 09 20 000 9918

## Han® Standard Hoods/Housings

### Metal hoods/housings for industrial applications

Material	aluminium die-cast
Colour	RAL 7037 (grey)
Surface	powder-coated
Locking element	Stainless steel
Lever type	Han-Easy Lock®
Hoods/Housings seal	NBR
Limiting temperatures	-40 °C ... +125 °C
Approval acc. to UL 50	NEMA Type 4/4X/12
Degree of protection acc. to DIN EN 60 529 for coupled connector	IP 65

## Han® M Hoods/Housings

### Hoods/Housings for higher environmental requirements

Material	aluminium die-cast
Colour	RAL 9005 (black)
Surface	- Top coat Epoxy powder paint
Locking element	Stainless steel
Lever type	lever, metal
Hoods/Housings seal	FPM
Limiting temperatures	-40 °C ... +125 °C
Approval acc. to UL 50	NEMA Type 4/4X/12
Corrosion resistance	ASTM B117-09 (500 h)
Degree of protection acc. to DIN EN 60 529 for coupled connector	IP 65

## Han® 3 EMC Hoods/Housings

### Hoods/Housings for higher EMC requirements

Material	zinc die-cast
Colour	non coloured
Surface	electrical conductive
Locking element	steel, zinc-plated
Lever type	lever, metal
Hoods/Housings seal	NBR
Limiting temperatures	-40 °C ... +125 °C
Degree of protection acc. to DIN EN 60 529 for coupled connector	IP 44 IP 67 is achieved with seal screw 09 20 000 9918

## Han® EMC Hoods/Housings

### Hoods/Housings for higher EMC requirements

Material	aluminium die-cast
Colour	non coloured
Surface	electrical conductive
Locking element	
- central locking lever	Stainless steel
- Screw locking	M5
- Material	Stainless steel
- Tightening torque	3 Nm
Hoods/Housings seal	NBR
Limiting temperatures	-40 °C ... +125 °C
Approval acc. to UL 50	NEMA Type 4/4X/12
Degree of protection acc. to DIN EN 60 529 for coupled connector	IP 65

## Han® EMC/B Hoods/Housings

### Hoods/Housings for higher EMC requirements

Material	
- Hoods/Housings	aluminium die-cast
- shielded frames	zinc die-cast alloy
Colour	non coloured
Surface	
- Hoods/Housings	electrical conductive
- shielded frames	electrical conductive
Locking element	Stainless steel
Lever type	Han-Easy Lock®
Hoods/Housings seal	NBR
Limiting temperatures	-40 °C ... +125 °C
Approval acc. to UL 50	NEMA Type 4/4X/12
Degree of protection acc. to DIN EN 60 529 for coupled connector	IP 65

## Han® 3 HPR Hoods/Housings

### Hoods/Housings for harsh environmental requirements

Material	zinc die-cast
Colour	RAL 9005 (black)
Surface	
- Top coat	Epoxy powder paint / chromated
Locking element	
- Screw locking	M4
- Material	Stainless steel
- Tightening torque	2 Nm
Hoods/Housings seal	NBR
Limiting temperatures	-40 °C ... +125 °C
Corrosion resistance	ASTM B117-09 (500 h)
Degree of protection acc. to DIN EN 60 529 for coupled connector	IP 68 / IP 69K

Attention  
The sealing on the insert has to be removed.

## Han® HPR Hoods/Housings

### Hoods/Housings for harsh environmental requirements

Material	aluminium die-cast, corrosion resistant
Colour	RAL 9005 (black)
Surface	
- Top coat	Epoxy powder paint
Locking element	
- Screw locking	M6
- Material	Stainless steel
- Tightening torque	4 Nm
- Toggle locking	
- Material	Stainless steel
Hoods/Housings seal	NBR
Limiting temperatures	-40 °C ... +125 °C
Approval acc. to UL 50	NEMA Type 4/4X/12
Corrosion resistance	ASTM B117-09 (500 h)
Degree of protection acc. to DIN EN 60 529 for coupled connector	IP 68 / IP 69K (does not apply to Han® 48 HPR)