



EN 60529 Degree of Protection IP20 (IP68 Upon Request)

Splash Resistant • Corrosion Resistant (Available)
MEDIUM DUTY GENERAL PURPOSE DESIGN

Materials of Construction:

- Constructed of Cast Iron for long life
- Non-skid base pad
- Adjustable Strain relief connector
- Durable black finish
- Model 632-DA can be used to control lighting
- Model 638-S features a cast aluminum housing painted Alert Orange with a splash resistant interior switch



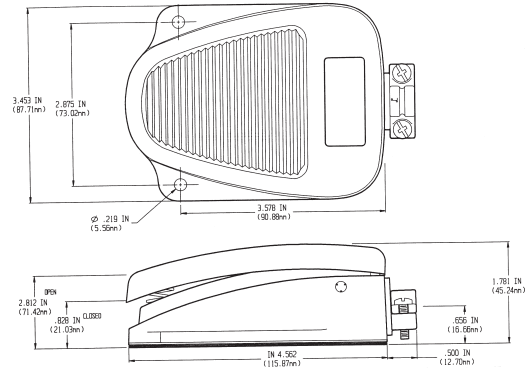
Features & Benefits:

- Proven Reliability
- All maintained models offer "Push On-Push Off" action that insures long trouble-free performance
- 2 holes provided for rigid mounting to floor or equipment

Options:

- The wide treadle models offer a large seven inch target for the operator's foot (See "Clipper - Twin & Wide Treadle" on page 34 for details)
- Available protective vinyl cover that can be applied over our Clipper. This boot is available only in bright orange, and provides additional protection to the foot switch from limited amounts of liquid, dust, dirt, mud and snow (See "Accessories - Protective Boot" on page 75 for details)
- AirVal models available (See "Clipper - Pneumatic AirVal" on page 53 for details)
- Heavy gauge steel guard available (See "Accessories - Guards" on page 74 & 75 for details)

Size (HxWxD):	1.50 x 3.50 x 4.50 In.
Weight:	2.25 lbs.



⚠ WARNING SEE PRODUCT WARNING ON PAGE 8

SPECIFICATIONS (Special variations are available to the O.E.M. on special order on the models listed below)

AGENCY APPROVALS	EN 60529 Degree of Protection	CATALOG NUMBER	DESCRIPTION	CIRCUIT	FORM	ELECTRICAL RATINGS
UL, CE, etc.	IP20	632-S	Momentary	SPDT	C	20 A 125-250 VAC 1 H.P. 125-250 VAC
UL, etc.	IP20	632-SC3 ¹	Momentary	SPST Wired N.O.	A	15 A 125 VAC 3/4 H.P. 125 VAC
UL, CE, etc.	IP20	632-SC36 ⁴	Momentary	SPST Wired N.O.	A	10 A 125-250 VAC 1/2 H.P. 125-250 VAC
UL, etc.	IP20	632-DC3A ¹	Maintained	SPST Wired N.O.	C	15 A 125 VAC 3/4 H.P. 125 VAC
UL, CE, etc.	IP20	633-S	Momentary	SPDT DB ³	Z	20 A 125-250 VAC 3/4 H.P. 125 VAC 1 H.P. 250 VAC
cUL, CE, etc.	IP20	635-S	Momentary	DPDT	C	15 A 125 VAC 10 A 250 VAC
cUL, CE, etc.	IP20	636-S	Two Stage Momentary	Each Stage SPDT	C	1/2 H.P. 125-250 VAC
UL, CE, etc.	IP20	632-DA	Maintained	SPDT	C	20 A 125 VAC 10 A 250 VAC 1 1/2 H.P. 120-240 VAC
cUL, CE, etc.	IP20	634-DA	Maintained	DPDT	C	10 A 125-250 VAC 1/8 H.P. 125 VAC 1/4 H.P. 250 VAC
cUL, CE, etc.	IP20	638-S	Momentary	SPDT	C	10 A 125-250 VAC 1/2 H.P. 125-250 VAC
cUL, CE, etc.	IP21	638-SC38 ²	Momentary	SPDT Wired N.O.	A	

¹Supplied with 8 ft. 14/3 cord and 3 prong series plug. Green lead grounded. ²Supplied with 8 ft. 16/3 cord, wired N.O. with green lead grounded.
³DB Double Break models must be wired to equal voltage sources and the same polarity. The loads should be on the same sides of the line. ⁴Supplied with 6 ft. 18/3 cord.

Clipper - Twin & Wide Treadle



EN 60529 Degree of Protection IP20 (IP68 Upon Request)

**Splash Resistant (Available)
MEDIUM DUTY GENERAL PURPOSE DESIGN**

Materials of Construction:

- Constructed of Cast Iron for longlife
- Non-skid base pad
- Adjustable Strain relief connector
- Durable black finish
- Model 632-DA can be used to control lighting
- Model 638-S features a cast aluminum housing painted Alert Orange with a splash resistant interior switch

Features & Benefits:

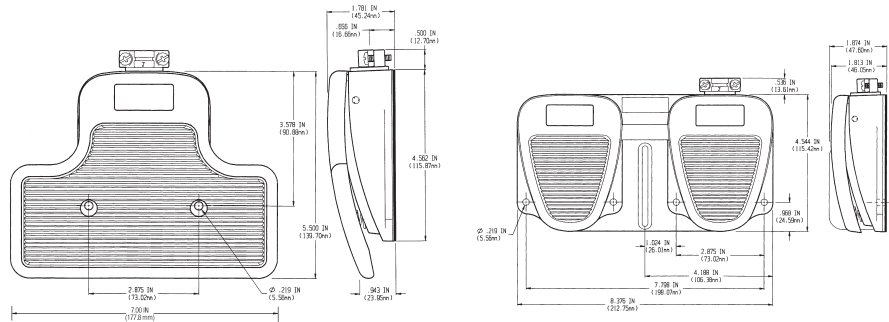
- Proven Reliability
- All maintained models offer "Push On-Push Off" action that insures long trouble-free performance
- Wide Treadle Models have 2 holes provided for rigid mounting to floor or equipment
- Twin Models have 4 holes provided for rigid mounting to floor or equipment
- Divider Bar on Twin Models aids in Reducing Accidental Operation of Multiple Pedals at Once

Options:

- The wide treadle models offer a large seven inch target for the operator's foot
- Aluminum housing available for Twin Models
- AirVal models available (See "Clipper Twin & Wide Treadle - Pneumatic AirVal" on page 54 for details)
- Heavy gauge steel guard available (See "Accessories - Guards" on page 74 & 75 for details)



Twin	
Size (HxWxD):	1.78 x 8.38 x 4.25 In.
Weight:	5.00 lbs.
Wide Treadle	
Size (HxWxD):	1.78 x 7.00 x 5.50 In.
Weight:	3.25 lbs.



⚠ WARNING SEE PRODUCT WARNING ON PAGE 8						
SPECIFICATIONS (Special variations are available to the O.E.M. on special order on the models listed below)						
AGENCY APPROVALS	EN 60529 Degree of Protection	CATALOG NUMBER	DESCRIPTION	CIRCUIT	FORM	ELECTRICAL RATINGS
UL, SR, CE	IP20	TWIN 632-S	Twin / Momentary	Each Side SPDT	C	20 A 125-250 VAC 1 H.P. 125-250 VAC
cUL, US, CE	IP20	TWIN 635-S	Twin / Momentary	Each Side DPDT	C	15 A 125 VAC 10 A 250 VAC 1/2 H.P. 125-250 VAC
UL, SR, CE	IP20	642-S	Wide Treadle / Momentary	SPDT	C	20 A 125-250 VAC 1 H.P. 125-250 VAC
cUL, US, CE	IP20	643-S	Wide Treadle / Momentary	SPDT DB ¹	Z	20 A 125-250 VAC 3/4 H.P. 125 VAC 1 H.P. 250 VAC
cUL, US, CE	IP20	645-S	Wide Treadle / Momentary	DPDT	C	15 A 125 VAC 10 A 250 VAC
cUL, US, CE	IP20	646-S	Wide Treadle / Momentary 2-Stage	Each Stage SPDT	C	1 1/2 H.P. 120-240 VAC
UL, SR, CE	IP20	642-DA	Wide Treadle / Maintained	SPDT	C	20 A 125 VAC 10 A 250 VAC 1 1/2 H.P. 120-240 VAC

¹DB Double Break models must be wired to equal voltage sources and the same polarity. The loads should be on the same sides of the line.