

Pressure Gauge for General Purpose Series G15/G27



G15-10-01

G27-10-R1

- Be sure to read the precautions on page 663 for selection and mounting.

Standard Specifications

Model		G15	G27
Type		Back side thread	
Port size ⁽¹⁾		R 1/8: M5 (Female thread)	R 1/16
Fluid ⁽²⁾		Air	
Indication precision		±5% F.S. (Full span)	
Material	Case (Surface treatment)	Zinc die-casted (Black graphite coated)	
	Clear cover	Polycarbonate	
	Stud (Surface treatment)	Zinc die-casted (Black graphite coated)	
	Bourdon tube	Brass	
Mass (kg)		0.01	0.015

- Caution on handling: When drain or oil, etc. gets into the gauge, it may result in a malfunction.

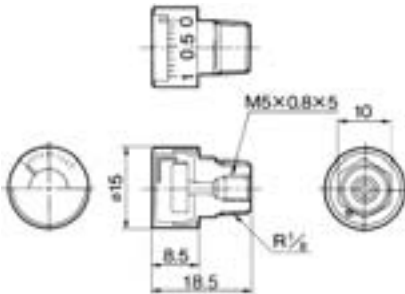
Note 1) When mounting a pressure gauge, use caution not to tighten excessively. Excessive tightening will cause product to be damaged. Use a pipe tape for sealing. Recommended tightening torque is between 3 and 4 N·m for R 1/16 and 7 and 9 N·m for R 1/8.

Note 2) Water cannot be used as an operating fluid. Because the clearance gap of the air passage of the Bourdon tube is very small. Water will block the gap and cause a malfunction.

Similarly, when using other fluids, please consult with SMC for fluid compatibility information concerning possible corrosion and response delay, etc.

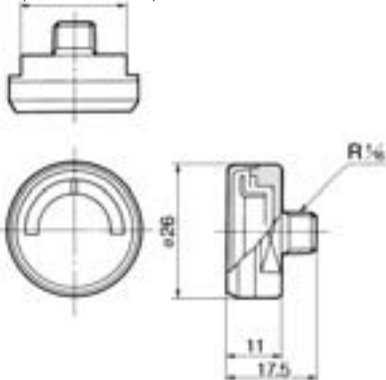
Dimensions

G15



G27

21 (Width across flats)



Model (Standard)

Model	Pressure range ⁽¹⁾		Indication unit	Connection thread
	MPa			
G15-10-01 ⁽²⁾	0 to 1.0		MPa	R 1/8, M5 (Female thread)
G27-10-R1	0 to 1.0		MPa	R 1/16

Note 1) Do not apply more excessive pressure than max. pressure display. It will be a cause of malfunction.

Note 2) Display unit: single unit compatible

Model (Made to Order)

Other versions of this unit can be made on a made-to-order basis.

Please consult with SMC for details, as delivery times may be extended.

Model	Pressure range ⁽¹⁾		Indication unit	Connection thread
	MPa	psi		
G27-10-M5-X201	0 to 1.0	—	MPa	M5 (Female thread)
G27-P10-R1-X30	0 to 1.0	0 to 150	MPa, psi	R 1/16

Note 1) Do not apply more excessive pressure than max. pressure display. It will be a cause of malfunction.

How to Order

G 15 - 10 - 01 - []

- Pressure gauge**
- Size**

Symbol	Outside diameter
15	ø15
27	ø26
- Connection thread**

Symbol	Size
01 ⁽¹⁾	R 1/8: M5 (Female thread)
R1 ⁽²⁾	R 1/16

Note 1) Both R1/8 and M5 (female thread) in case of G15 type
Note 2) Compatible with G27 type only
- Option**

Symbol	Specifications
Nil	—
X30	Both MPa and psi
X201	M5 (Female thread) only

Note 1) X3 (Wetted parts SUS) specifications are not available.
- Max. display pressure**

Symbol	Unit
10 ⁽¹⁾	1.0 MPa
P10 ^{(1) (2)}	1.0 MPa, 150 psi

Note 1) Pressure other than 1.0 MPa is not available.
Note 2) This symbol must be used with Option "X30."

G
GS
PPA