

## Multi-Phase Panel Protectors

### 32000 Series for Branch Panels

| RATING   | CAT. NO.  |
|--|-----------|
| 120/240V AC Single Phase   | 32120-001 |
| 120/208V AC 3-Phase WYE<br>220V AC 3-Phase Delta   | 32120-DY3 |
| 277/480V AC 3-phase WYE<br>220/380V AC 3-Phase WYE<br>240V AC 3-Phase Delta<br>480V AC 3-Phase Delta | 32277-DY3 |
| 347/600V AC 3-Phase WYE Delta  | 32347-DY3 |
| 120/240V AC Hi-Leg Split Phase Delta   | 32412-DS3 |

Note: 32000 noise rejection is 20dB to 30dB (DHC power line carrier compatible).

### 42000 Series for Branch Panels

| RATING   | CAT. NO.  |
|--|-----------|
| 120/240V AC Single Phase   | 42120-001 |
| 120/208V AC 3-Phase WYE<br>220V AC 3-Phase Delta   | 42120-DY3 |
| 277/480V AC 3-Phase WYE<br>220/380V AC 3-Phase WYE<br>240V AC 3-Phase Delta<br>480V AC 3-Phase Delta | 42277-DY3 |
| 347/600V AC 3-Phase Wye Delta  | 42347-DY3 |
| 120/240V AC Hi-Leg Split-Phase Delta   | 42412-DS3 |

Note: 42000 noise rejection is 30dB to 40dB.

### Performance Specifications: 32000 and 42000 Series

| SPECIFICATION  | 32120-001<br>42120-001 | 32120-DY3<br>42120-DY3 | 32277-DY3<br>42277-DY3 | 32347-DY3<br>42347-DY3 | 32412-DS3<br>42412-DS3     |
|--|------------------------|------------------------|------------------------|------------------------|----------------------------|
| Modes protected  | L-N/L-L/N-G            | L-N/L-L/N-G            | L-N/L-L/N-G            | L-N/L-L/N-G            | L-L/HIL-G<br>L-N(CT)/HIL-N |
| Operating frequency range                                    | 50, 60Hz               | 50, 60Hz               | 50, 60Hz               | 50, 60Hz               | 50, 60Hz                   |
| Rated L-N voltage  | 120V                   | 120V                   | 277V                   | 347V                   | 120V                       |
| Max. cont. L-N voltage                                       | 150V                   | 150V                   | 320V                   | 420V                   | 150V                       |
| Max. cont. L-L voltage                                       | 270V                   | 270V                   | 540V                   | 660V                   | 250V                       |
| Max. transient current (8x20µs single pulse) NM/CM per phase | 80kA                   | 80kA                   | 80kA                   | 80kA                   | 80kA                       |
| Max. transient energy (8x20µs waveform) per phase            | 950 Joules             | 950 Joules             | 3450 Joules            | 4100 Joules            | 2030 Joules                |
| SPD circuit connection                                       | high-energy parallel   | high-energy parallel   | high-energy parallel   | high-energy parallel   | high-energy parallel       |
| Connection means   | hard wired w/leads     | hard wired w/leads     | hard wired w/leads     | hard wired w/leads     | hard wired w/wheels        |
| Fusing   | internal               | internal               | internal               | internal               | internal                   |
| Phases protected   | one                    | three                  | three                  | three                  | three                      |



### SPECIFICATIONS & FEATURES

#### 32000 & 42000 Series

- Provide multiple-phase surge protection in commercial & industrial environments
- Compact design permits close installation to panel & provides a short parallel suppression path
- 3-phase units are suitable for WYE & Delta AC systems
- Easily surface-mounted or flush mountable with use of flush collar accessory 42001 FMC
- Real-time diagnostics monitor power & surge suppression status of each phase by means of indicator light & acoustic alarm
- Equipped with normally open/normally closed dry contacts rated 5 Amps 120/240V AC via 3 color-coded AWG leads rated 600V AC for remote monitoring

### TESTING & CODE COMPLIANCE

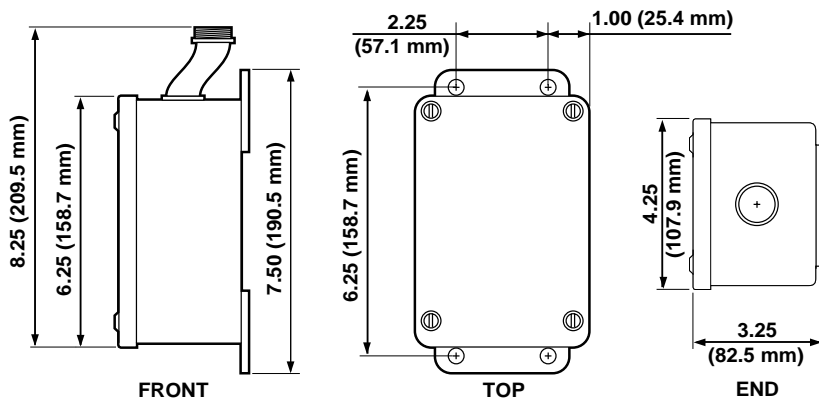
#### 32000 & 42000 Series

- Listed to UL Standard 1449 (Indoor & Outdoor-3R-Rated)
- CSA Certified
- Meets ANSI/IEEE C62.41 Standards for Categories A, B, C
- Backed by a Limited 10-Year Warranty

### MATERIAL CHARACTERISTICS

#### 32000 & 42000 Series

Operating Temperature: -10°C to 60°C  
Storage Temperature: -20°C to 85°C



Cat. No. 32000 Series

### Clamping Performance: 32000 and 42000 Series

| SPECIFICATION  | 32120-001<br>42120-001              | 32120-DY3<br>42120-DY3              | 32277-DY3<br>42277-DY3               | 32347-DY3<br>42347-DY3                 | 32412-DS3<br>42412-DS3                                    |
|--|-------------------------------------|-------------------------------------|--------------------------------------|--|---|
| <b>Cat. B3 combination wave (8x20µs) peak clamping voltage</b> | L-N: 532V<br>L-L: 832V<br>N-G: 514V | L-N: 532V<br>L-L: 832V<br>N-G: 514V | L-N: 996V<br>L-L: 1570V<br>N-G: 920V | L-N: 1100V<br>L-L: 2200V<br>N-G: 1100V | L-L: 925V<br>HiL-G: 1250V<br>L-N(CT): 520V<br>HiL-N: 725V |
| <b>UL 1449 ratings @ 500A with 6" lead length</b>              | L-N: 500V<br>L-L: 700V<br>N-G: 500V | L-N: 500V<br>L-L: 700V<br>N-G: 500V | L-N: 900V<br>L-L: 1500V<br>N-G: 800V | L-N: 1200V<br>L-L: 2000V<br>N-G: 1000V | L-L: 800V<br>HiL-G: 1000V<br>L-N(CT): 400V<br>HiL-N: 700V |

### EMI/RFI Noise Rejection: 32000 — Data for Normal Mode and (Common Mode)

| SPECIFICATION                     | 32120-001            | 32120-DY3            | 32277-DY3            | 32347-DY3            | 32412-DS3            |
|-----------------------------------|----------------------|----------------------|----------------------|----------------------|----------------------|
| <b>Evaluation bandwidth</b>       | 10KHz–10MHz          | 10KHz–10MHz          | 10KHz–10MHz          | 10KHz–10MHz          | 10KHz–10MHz          |
| <b>Noise rejection at 50 Ohms</b> | 20–30dB<br>(20–30dB) | 20–30dB<br>(20–30dB) | 20–30dB<br>(20–30dB) | 20–30dB<br>(20–30dB) | 20–30dB<br>(20–30dB) |

**Note:** 32000 noise rejection is -20dB to -30dB (DHC power line carrier compatible).

### EMI/RFI Noise Rejection: 42000 Series — Data for Normal Mode and (Common Mode)

| SPECIFICATION                     | 42120-001            | 42120-DY3            | 42277-DY3            | 42347-DY3            | 42412-DS3            |
|-----------------------------------|----------------------|----------------------|----------------------|----------------------|----------------------|
| <b>Evaluation bandwidth</b>       | 10KHz–10MHz          | 10KHz–10MHz          | 10KHz–10MHz          | 10KHz–10MHz          | 10KHz–10MHz          |
| <b>Noise rejection at 50 Ohms</b> | 30–40dB<br>(30–40dB) | 30–40dB<br>(30–40dB) | 30–40dB<br>(30–40dB) | 30–40dB<br>(30–40dB) | 30–40dB<br>(30–40dB) |



### SPECIFICATIONS & FEATURES

#### 42000 Series

- Provide multiple-phase surge protection in commercial & industrial environments
- Compact design permits close installation to panel & provides a short parallel suppression path
- 3-phase units are suitable for WYE & Delta AC systems
- Easily surface-mounted or flush mountable with use of flush collar accessory 42001 FMC
- Real-time diagnostics monitor power & surge suppression status of each phase by means of indicator light & acoustic alarm
- Equipped with normally open/normally closed dry contacts rated 5 Amps 120/240V AC via 3 color-coded AWG leads rated 600V AC for remote monitoring

### TESTING & CODE COMPLIANCE

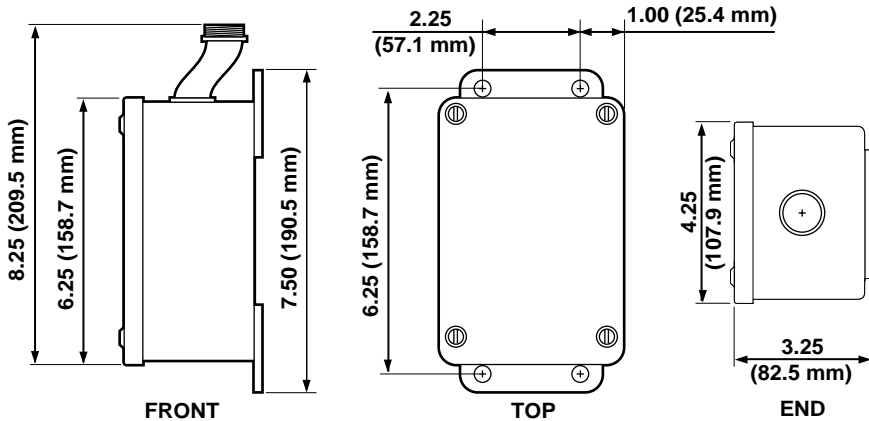
#### 42000 Series

- Listed to UL Standard 1449 (Indoor & Outdoor-3R-Rated)
- CSA Certified
- Meets ANSI/IEEE C62.41 Standards for Categories A, B, C
- Backed by a Limited 10-Year Warranty

### MATERIAL CHARACTERISTICS

#### 42000 Series

Operating Temperature: -10°C to 60°C  
Storage Temperature: -20°C to 85°C



Cat. No. 42000 Series