



10 YEAR LIMITED WARRANTY

51015, 51020 & 51240 Series – For Industrial Environments & OEM Applications

SPECIFICATIONS & FEATURES

51015, 51020 & 51240 SERIES

- Staged multi-component surge suppression circuitry provides clamping envelope that follows AC sine wave contour.
- DIN rail mounting versions available
- In addition to visual diagnostics, units provide an acoustic alert if surge protection is lost.
- Equipped with dry contact relays for remote monitoring.

ENVIRONMENTAL

STORAGE TEMPERATURE

-20°C to 85°C

OPERATING TEMPERATURE

-10°C to 60°C

STANDARDS & CERTIFICATIONS

ANSI/IEEE Categories A, B, & C
C-62.41 & C-62.45

UL 1449

#E146315

CSA

#LR-94773



51020-DIN

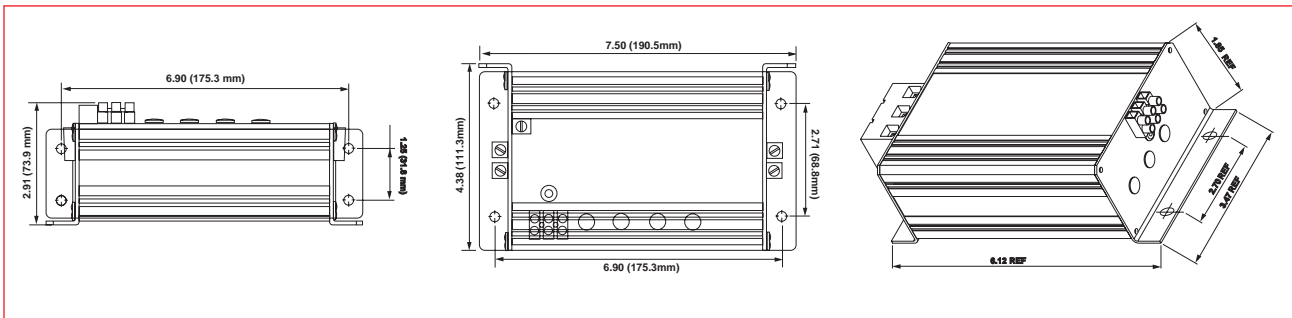


51020-WMT



DESCRIPTION	CATALOG NO.	RATING
51015, 51020 & 51240 Series		
Single-Phase, 3-Wire	51015-WM	120V AC 15A
Single-Phase, 3-Wire	51020-WM	120V AC 20A
Single-Phase, 3-Wire, DIN-Rail Mounting	51015-DIN	120V AC 15A
Single-Phase, 3-Wire, DIN-Rail Mounting	51020-DIN	120V AC 20A
Single-Phase, 3-Wire (For use in parallel connection)	51020-WMT	120V AC 20A
Single-Phase, 3-Wire	51240-WM	240V AC 20A
Single-Phase, 3-Wire, DIN-Rail Mounting	51240-DIN	240V AC 20A

CATALOG NO.	MCOV	UL 1449 (Second Ed.) IMPULSE 6kV/500A			MAX. SURGE CURRENT (Test w/ 8x20µs wave)	NOISE REJECTION
51015, 51020 & 51240 Series						
51015-WM	150V AC	L-N:330V	L-G: 330V	N-G: 400V	L-N: 52kA	20-30dB (@ 100-10MHz)
51020-WM	150V AC	L-N:330V	L-G: 330V	N-G: 400V	L-N: 52kA	20-30dB (@ 100-10MHz)
51015-DIN	150V AC	L-N:330V	L-G: 330V	N-G: 400V	L-N: 52kA	20-30dB (@ 100-10MHz)
51020-DIN	150V AC	L-N:330V	L-G: 330V	N-G: 400V	L-N: 52kA	20-30dB (@ 100-10MHz)
51020-WMT	150V AC	L-N:330V	L-G: 330V	N-G: 400V	L-N: 52kA	20-30dB (@ 100-10MHz)
51240-WM	270V AC	L-N:600V	L-G: 330V	N-G: 600V	L-N: 52kA	40-50dB (@ 5KHz-100MHz)
51240-DIN	270V AC	L-N:600V	L-G: 330V	N-G: 600V	L-N: 52kA	40-50dB (@ 5KHz-100MHz)



Power Quality Devices – Surge Protection Modules