

# Type 12/13 Panel Enclosures

## JIC Enclosures

### Type 12 Continuous Hinge Screw Cover

#### Data Sheet

Type 12/13 Panel Encl.



#### Application

- Houses electrical controls and instruments
- Protects against circulating dust, falling dirt and dripping non-corrosive liquids

#### Standards

- UL 508 listed, Type 12 and Type 13
- CSA C22.2 No.94 certified, Type 12 and Type 13
- Conforms to NEMA standard for Type 12 and Type 13
- Conforms to JIC standard EGP-1-1967

#### Finish

- Wash and phosphate undercoat
- ANSI 61 gray polyester powder finish

#### Accessories

- Panels
- JIC terminal strap kit
- JIC terminal strip kit
- Terminal blocks
- Touch-up paint
- #8-32 self tapping screw (10168)
- See Accessories section

#### Construction

- Enclosure and cover are fabricated from (16) gauge steel
- All continuous welded seams are finished smooth
- Cover is secured to the body with a continuous hinge on one side and captive screws which thread into sealed well nuts on the opposite side
- Cover has a fixed, oil-resistant gasket
- Ground stud provided on cover
- #10-32 weldnuts are provided for mounting optional panel
- External mounting feet are provided for secure wall mounting

#### Discount Schedule: C2

#### Subclass: DE0

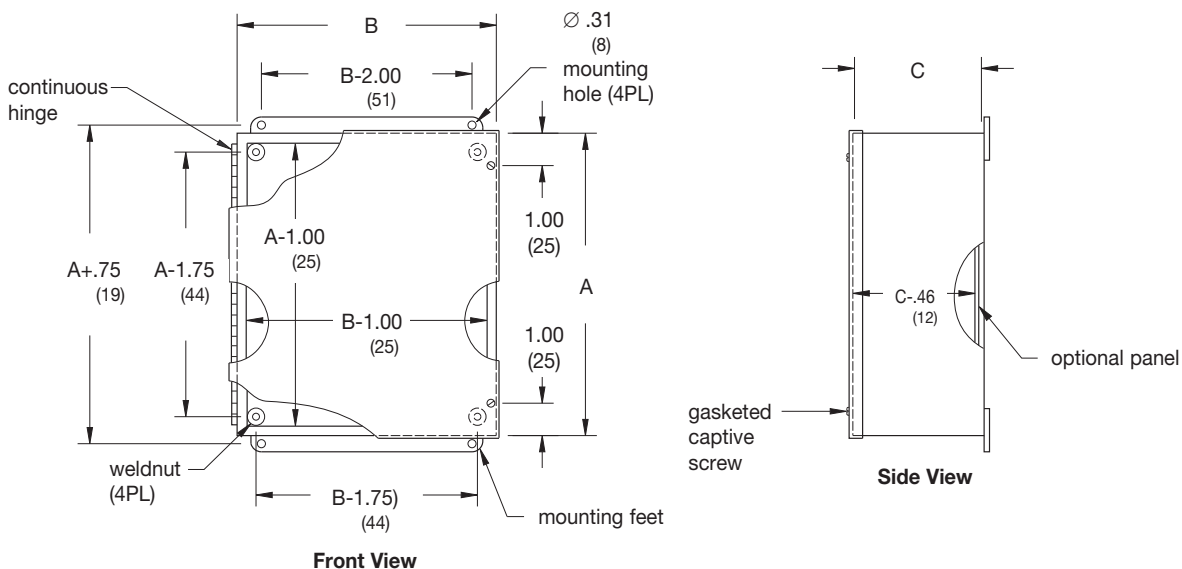
**Notes:** Cooper B-Line can provide special sizes, finishes and other modifications. Consult the factory for your special requirements.

# Type 12 / 13 Panel Enclosures

## JIC Enclosures Type 12 Continuous Hinge Screw Cover Illustration Sheet and Catalog Number

Enclosure Catalog Number	Enclosure Size Height x Width x Depth A x B x C		Panel Catalog Number		Panel Size Height x Width	
	in.	mm	Solid	Perforated	in.	mm
664-12CHSC	6.00 x 6.00 x 4.00	152 x 152 x 102	AW66P	AW66PP	4.87 x 4.87	124 x 124
864-12CHSC	8.00 x 6.00 x 4.00	203 x 152 x 102	AW86P	AW86PP	6.87 x 4.87	174 x 124
884-12CHSC	8.00 x 8.00 x 4.00	203 x 203 x 102	AW88P	AW88PP	6.87 x 6.87	174 x 174
1084-12CHSC	10.00 x 8.00 x 4.00	254 x 203 x 102	AW108P	AW108PP	8.87 x 6.87	225 x 174
10104-12CHSC	10.00 x 10.00 x 4.00	254 x 254 x 102	AW1010P	AW1010PP	8.87 x 8.87	225 x 225
12104-12CHSC	12.00 x 10.00 x 4.00	305 x 254 x 102	AW1210P	AW1210PP	10.87 x 8.87	272 x 225
866-12CHSC	8.00 x 6.00 x 6.00	203 x 152 x 152	AW86P	AW86PP	6.87 x 4.87	174 x 124
886-12CHSC	8.00 x 8.00 x 6.00	203 x 203 x 152	AW88P	AW88PP	6.87 x 6.87	174 x 174
1086-12CHSC	10.00 x 8.00 x 6.00	254 x 203 x 152	AW108P	AW108PP	8.87 x 6.87	225 x 174
10106-12CHSC	10.00 x 10.00 x 6.00	254 x 254 x 152	AW1010P	AW1010PP	8.87 x 8.87	225 x 225
12106-12CHSC	12.00 x 10.00 x 6.00	305 x 254 x 152	AW1210P	AW1210PP	10.87 x 8.87	272 x 225
12126-12CHSC	12.00 x 12.00 x 6.00	305 x 305 x 152	AW1212P	AW1212PP	10.87 x 10.87	272 x 272
14126-12CHSC	14.00 x 12.00 x 6.00	356 x 305 x 152	AW1412P	AW1412PP	12.87 x 10.87	327 x 272

Type 12/13 Panel Encl.



**Notes:** Dimensions are in inches. Millimeters shown are for reference only. Data subject to change without notice.