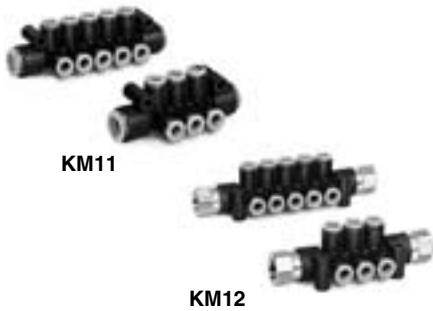


Inch-size One-touch Fittings Manifold

Series KM

Applicable Tubing: Inch size

Compact piping possible.
Manifold piping possible.
Many varieties (12 types)
are available.
One-touch fittings give the
most efficient operation.



Model

Model	Porting		No. of Port A	Port B size	Port A size		
	Port A	Port B			$\varnothing 5/32''$	$\varnothing 1/4''$	$\varnothing 5/16''$
KM11	One-touch fitting	One-touch fitting	6, 10	$\varnothing 5/16''$	●		
				$\varnothing 3/8''$		●	
				$\varnothing 1/2''$			●
KM12	One-touch fitting	NPT thread	6, 10	NPT 1/4	●	●	
				NPT 3/8			●

Applicable Tubing

Tubing material	FEP, PFA, Nylon, Soft nylon (1), Polyurethane
Tubing O.D.	$\varnothing 5/32''$, $\varnothing 1/4''$, $\varnothing 5/16''$, $\varnothing 3/8''$, $\varnothing 1/2''$

Note 1) Soft nylon tubing is not compatible with water.

Specifications

Model	KM11	KM12
Fluid	Air/Water (2)	
Maximum operating pressure	1 MPa	
Proof pressure	3 MPa	
Ambient and fluid temperature	-5 to 60°C, Water: 0 to 40°C (No freezing)	
Thread	—	ANSI/ASME B1.20.1-1983 (NPT thread)



Note 2) The surge pressure must be under the maximum operating pressure.



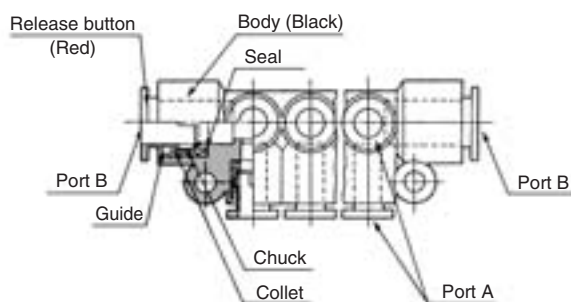
Made to Order
(Refer to page 122 for details.)

Principal Parts Material

Model	KM11	KM12
Body	PBT	
Stud	—	C3604
Chuck	Stainless steel 304	
Guide	Stainless steel 304, C3604	
Collet, Release button	POM	
Seal, O-ring	NBR	

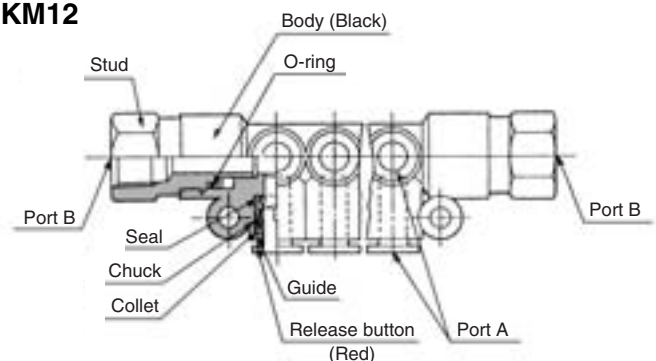
Construction

KM11



Port A: One-touch fitting
Port B: One-touch fitting

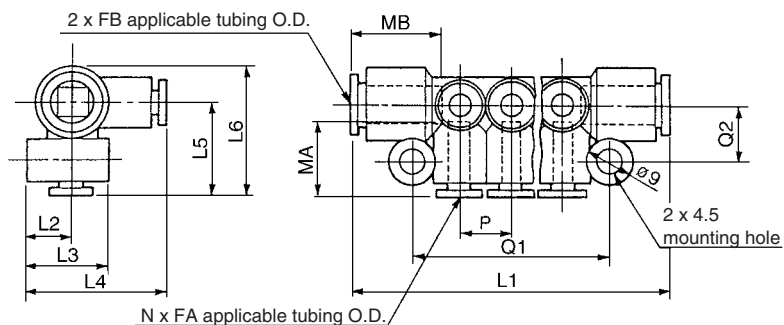
KM12



Port A: One-touch fitting
Port B: NPT female thread

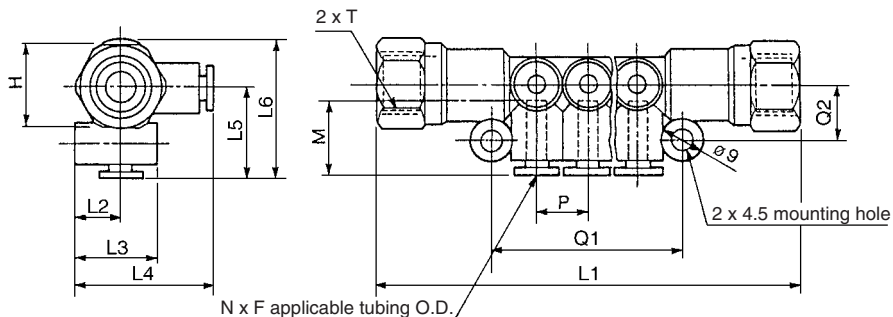
Dimensions

KM11



Applicable tubing O.D. (inch)		Model	N	L1	L2	L3	L4	L5	L6	P	Q1	Q2	MA	MB	Port B Min. port size	Mass (g)
FA	FB															
5/32	5/16	KM11-03-09-6	6	65	10	18	29.5	19.5	27	10.6	40	12	16	18.5	6	19
		KM11-03-09-10	10	86							61.5					26
1/4	3/8	KM11-07-11-6	6	77.8	10	19.5	31.5	21.5	30.5	13.2	48	13	17	21	7	30
		KM11-07-11-10	10	104							73.5					40
5/16	1/2	KM11-09-13-6	6	85	12.7	23.7	37.7	25	35.9	15.2	52.8	15	18.5	22	9.5	41
		KM11-09-13-10	10	115							83					57

KM12



Applicable tubing O.D. F (inch)	T Connection thread NPT	Model	N	H (Width across flats)	L1	L2	L3	L4	L5	L6	P	Q1	Q2	M	Port B Min. port size	Mass (g)
		KM12-03-35-10	10	110	61.5	72										
1/4	1/4	KM12-07-35-6	6	17.46	95	10	19.5	31.5	21.5	31.25	13.2	48	13	17	7	82
		KM12-07-35-10	10		121							73.5				92
5/16	3/8	KM12-09-36-6	6	22.22	102	12.7	23.7	37.7	25	37.5	15.2	52.8	15	18.5	9.5	97
		KM12-09-36-10	10		132							83				112

Handling of One-touch Fittings

⚠ Caution

Refer to P. 15 "Fittings & Tubing Precautions" for the details of installation/removal of One-touch fittings.



Please contact SMC for detailed dimensions, specifications, and delivery.

1 Grease-free Specifications

Symbol	Specifications
X17	Grease-free Rubber material: NBR (With fluorine coating) Release button color: Light blue
X29	Grease-free Rubber material: NBR (With fluorine coating) Release button color: Light blue Copper-free (With electroless nickel plated)
X94	Grease-free Rubber material: FKM (With fluorine coating) Release button color: Light blue

Suffix "-X17" to the end of part number.

Example) **KM11-03-09-10-X17**

2 Other Specifications

Symbol	Specifications
X2	Copper-free (With electroless nickel plated)
X12	Lubricant: White Vaseline Release button color: White
X34	Rubber material: FKM

Suffix "-X2" to the end of part number.

Example) **KM11-03-09-6-X2**