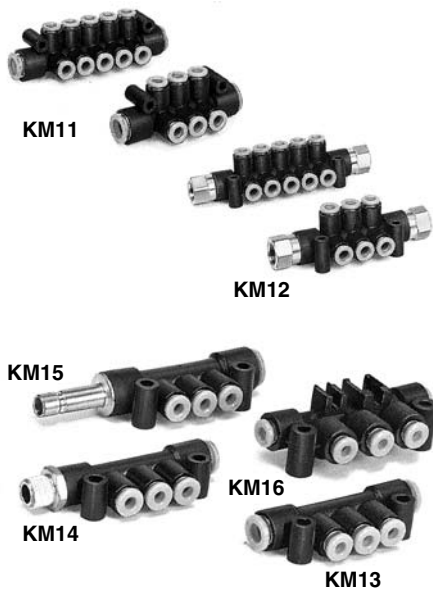


One-touch Fittings Manifold Series *KM*



Compact piping possible.
Manifold piping possible.
Many varieties (40 types)
are available.
One-touch fittings give the
most efficient operation.



Model

Model	Porting		No. of Port A	Port B size	Port A size		
	Port A	Port B			ø4	ø6	ø8
KM11	One-touch fitting	One-touch fitting	6, 10	ø8	●		
				ø10		●	
				ø12			●
KM12	One-touch fitting	Rc female thread	6, 10	Rc 1/4	●	●	
				Rc 3/8			●
KM13	One-touch fitting	One-touch fitting	3	ø6	●		
				ø8	●	●	
				ø10		●	●
KM14	One-touch fitting	One-touch fitting R male thread	3	ø6, R 1/8	●		
				ø6, R 1/4	●		
				ø6, R 3/8	●		
				ø8, R 1/8	●	●	
				ø8, R 1/4	●	●	
				ø8, R 3/8	●	●	
				ø10, R 1/4		●	●
				ø10, R 3/8		●	●
KM15	One-touch fitting	One-touch fitting Rod	3	ø6	●		
				ø8	●	●	
				ø10		●	●
KM16	One-touch fitting	One-touch fitting	3	ø4	●		
				ø6	●	●	

Applicable Tubing

Tubing material	FEP, PFA, Nylon, Soft nylon (1), Polyurethane
Tubing O.D.	ø4, ø6, ø8, ø10, ø12

Note 1) Soft nylon tubing is not compatible with water.



Made to Order
(Refer to page 118 for details.)

Specifications

Model	KM11	KM12	KM13	KM14	KM15	KM16
Fluid	Air/Water (2)					
Maximum operating pressure	1 MPa					
Proof pressure	3 MPa					
Ambient and fluid temperature	-5 to 60°C, Water: 0 to 40°C (No freezing)					
Thread	—	JIS B 0203 (Taper thread for piping)	—	JIS B 0203 (Taper thread for piping)	—	—
Accessory	None	Hexagon socket head blank plug with seal: 1 pc.	None	None	None	None



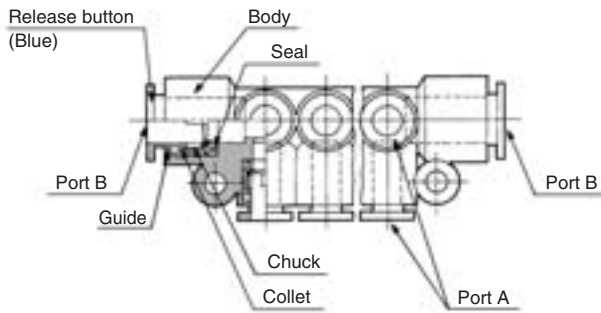
Note 2) The surge pressure must be under the maximum operating pressure.

Principal Parts Material

Model	KM11	KM12	KM13	KM14	KM15	KM16
Body	PBT					
Stud	—	C3604	—	C3604	C3604-PBT	—
Chuck	Stainless steel 304					
Guide	Stainless steel 304					
Collet, Release button	POM					
Seal, O-ring	NBR					

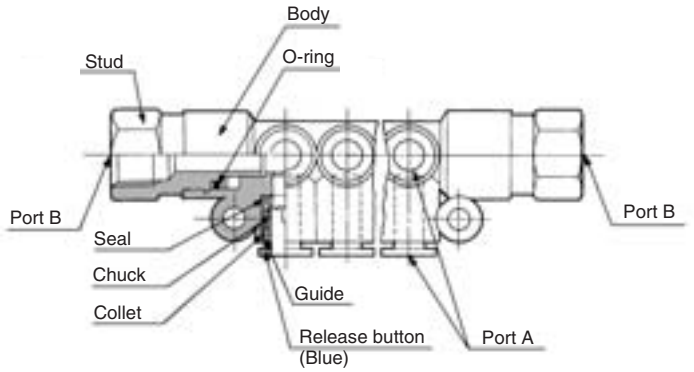
Construction

KM11



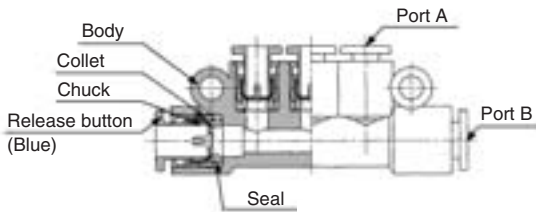
Port A: One-touch fitting
Port B: One-touch fitting

KM12



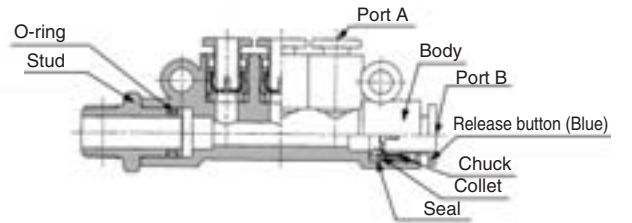
Port A: One-touch fitting
Port B: Rc female thread

KM13



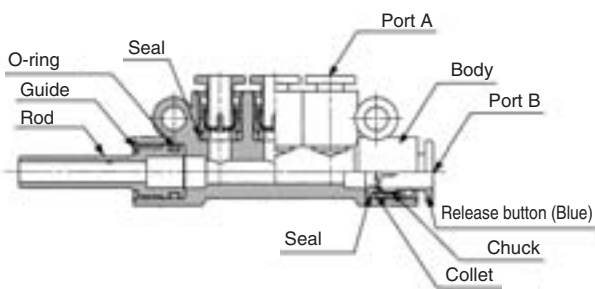
Port A: One-touch fitting
Port B: One-touch fitting

KM14



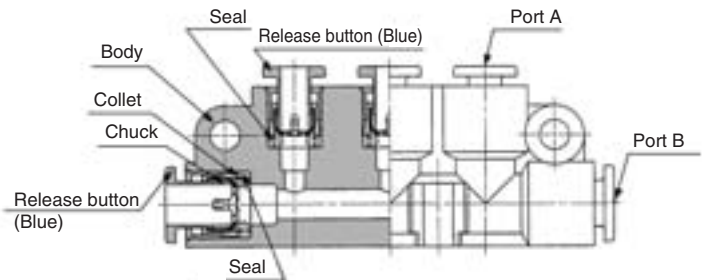
Port A: One-touch fitting
Port B: One-touch fitting, R male thread

KM15



Port A: One-touch fitting
Port B: One-touch fitting
Stud

KM16



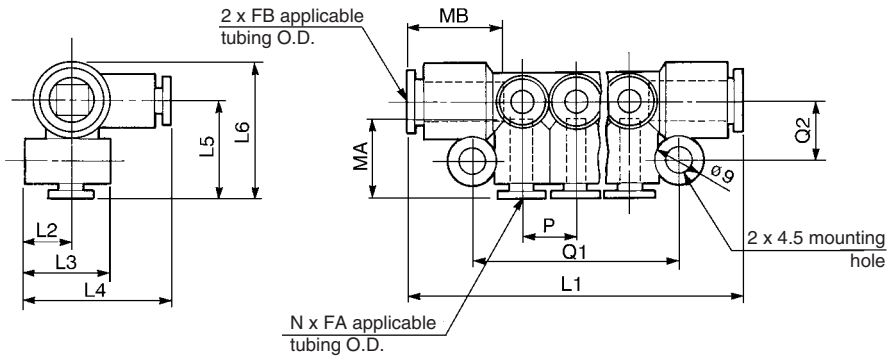
Port A: One-touch fitting
Port B: One-touch fitting

- K
- M
- H
- KK
- D
- MS
- LQ
- MQR
- T

Series KM

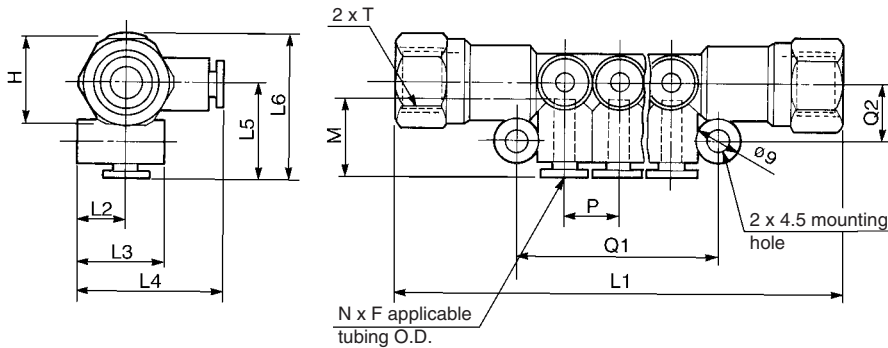
Dimensions

KM11



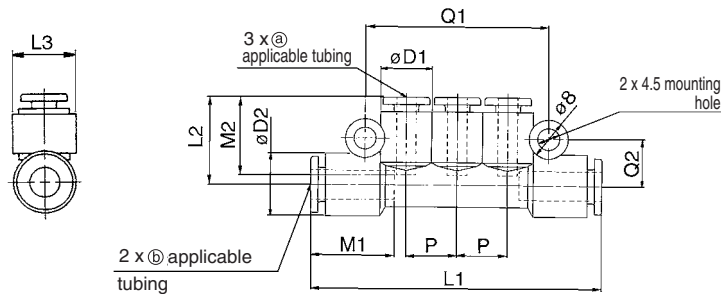
Applicable tubing O.D. (mm)		Model	N	L1	L2	L3	L4	L5	L6	P	Q1	Q2	MA	MB	Port B Min. port size	Mass (g)
FA	FB															
4	8	KM11-04-08-6	6	65	10	18	29.5	19.5	27	10.6	40	12	16	18.5	6	19
		KM11-04-08-10	10	86							61.5					26
6	10	KM11-06-10-6	6	76	10	19.5	31.5	21.5	31	13	47	13.5	17	21	7.5	29
		KM11-06-10-10	10	102							73					39
8	12	KM11-08-12-6	6	85	11.5	22.5	35.5	24	34.5	15.5	55	14.7	18.5	22	9	41
		KM11-08-12-10	10	116							86					57

KM12



Applicable tubing O.D. F (mm)	Connection thread Rc T	Model	N	H (Width across flats)	L1	L2	L3	L4	L5	L6	P	Q1	Q2	M	Port B Min. port size	Mass (g)
4	1/4	KM12-04-02-6	6	17	89	10	18	29.5	19.5	29	10.6	40	12	16	6	65
		KM12-04-02-10	10		110							61.5				72
6	1/4	KM12-06-02-6	6	17	99	10	19.5	31.5	21.5	31	13	47	13.5	17	7.5	81
		KM12-06-02-10	10		125							73				91
8	3/8	KM12-08-03-6	6	19	108	11.5	22.5	35.5	24	34.5	15.5	55	14.7	18.5	9	97
		KM12-08-03-10	10		139							86				112

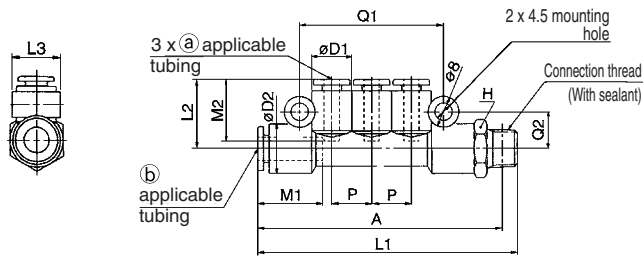
KM13



Applicable tubing O.D. (mm)		Model	øD1	øD2	L1	L2	L3	P	Q1	Q2	M1	M2	Port B Min. port size	Mass (g)
(a)	(b)													
4	6	KM13-04-06-3	10.4	12.8	60	18	13	10.4	38.2	9.9	17	16	4.5	11
	8	KM13-04-08-3		15.2	63.5	19	15.5			11.1	18.5		6	14
6	8	KM13-06-08-3	12.8	15.2	70.5	20	15.5	12.8	45.4	11.1	18.5	17	6	16
	10	KM13-06-10-3		18.5	74.5	21	19			12.8	21		7.5	22
8	10	KM13-08-10-3	15.2	18.5	81.5	22.5	19	15.2	52.6	12.8	21	18.5	7.5	26

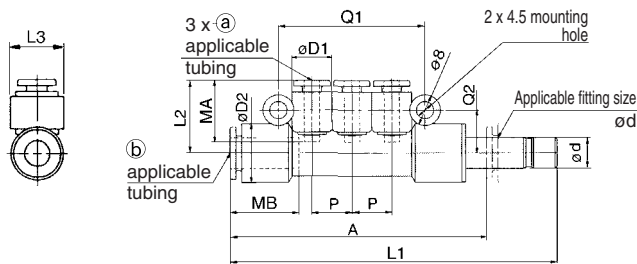
Dimensions

KM14



Applicable tubing O.D. (mm)		Connection thread R	Model	H (Width across flats)	ØD1	ØD2	L1	L2	L3	P	A	Q1	Q2	M1	M2	Port B Min. port size	Mass (g)
(a)	(b)																
4	6	1/8	KM14-04-06-01S-3	13	10.4	12.8	67.1	18	13	10.4	64	38.2	9.9	17	16	4.5	18
		1/4	KM14-04-06-02S-3	14			71										25
		3/8	KM14-04-06-03S-3	17			72.4										38
4	8	1/8	KM14-04-08-01S-3	17	10.4	15.2	72.6	19	15.5	10.4	69.5	38.2	11.1	18.5	16	6	30
		1/4	KM14-04-08-02S-3				76										38
		3/8	KM14-04-08-03S-3				76.4										38
6	8	1/8	KM14-06-08-01S-3	17	12.8	15.2	79.1	20	15.5	12.8	76.5	45.4	11.1	18.5	17	6	31
		1/4	KM14-06-08-02S-3				82.5										39
		3/8	KM14-06-08-03S-3				82.9										39
6	10	1/4	KM14-06-10-02S-3	19	12.8	18.5	87	21	19	12.8	81.5	45.4	12.8	21	17	7.5	43
		3/8	KM14-06-10-03S-3				87.4										44
		1/2	KM14-06-10-04S-3				91.1										66
8	10	1/4	KM14-08-10-02S-3	19	15.2	18.5	93.5	22.5	19	15.2	88	52.6	12.8	21	18.5	7.5	47
		3/8	KM14-08-10-03S-3				93.9										70
		1/2	KM14-08-10-04S-3				97.6										70

KM15



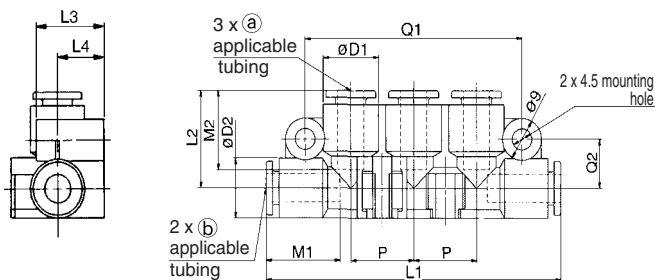
Applicable tubing O.D. (mm)		Applicable fitting size ød	Model	ØD1	ØD2	L1	L2	L3	P	Q1	Q2	A	MA	MB	Port B min. port size	Mass (g)
(a)	(b)															
4	6	6	KM15-04-06-3	10.4	12.8	78.5	18	13	10.4	38.2	9.9	61.5	16	17	4.5	12
	8	8	KM15-04-08-3													15.2
6	8	8	KM15-06-08-3	12.8	15.2	92.5	20	15.5	12.8	45.4	11.1	74	17	18.5	6	25
	10	10	KM15-06-10-3													18.5
8	10	10	KM15-08-10-3	15.2	18.5	105	22.5	19	15.2	52.6	12.8	85	18.5	21	7.5	41

Handling of One-touch Fittings

⚠ Caution

1. Refer to P. 15 "Fittings & Tubing Precautions" for the details of installation/removal of One-touch fittings.
2. After attaching the KM15 series rod to the fitting and using it, do not attach tubes to the fitting. The tubes will not hold and may come loose.

KM16



Applicable tubing O.D. (mm)		Model	ØD1	ØD2	L1	L2	L3	L4	P	Q1	Q2	M1	M2	Port B Min. port size	Mass (g)
(a)	(b)														
4	4	KM16-04-04-3	12.8	12.8	68	20.9	16	11	14.5	50	10.5	16	16	3	18
4	6	KM16-04-06-3										17	16	4.5	16
6	6	KM16-06-06-3										17	17	4.5	15



Please contact SMC for detailed dimensions, specifications, and delivery.

1 Grease-free Specifications

Symbol	Specifications
X17	Grease-free Rubber material: NBR (With fluorine coating) Release button color: Light blue
X29	Grease-free Rubber material: NBR (With fluorine coating) Release button color: Light blue Copper-free (With electroless nickel plated)
X94	Grease-free Rubber material: FKM (With fluorine coating) Release button color: Light blue

Suffix “-X17” to the end of part number.
Example) **KM11-04-08-10-X17**

2 Other Specifications

Symbol	Specifications
X2	Copper-free (With electroless nickel plated)
X12	Lubricant: White Vaseline Release button color: White
X34	Rubber material: FKM

Suffix “-X2” to the end of part number.
Example) **KM11-04-08-6-X2**