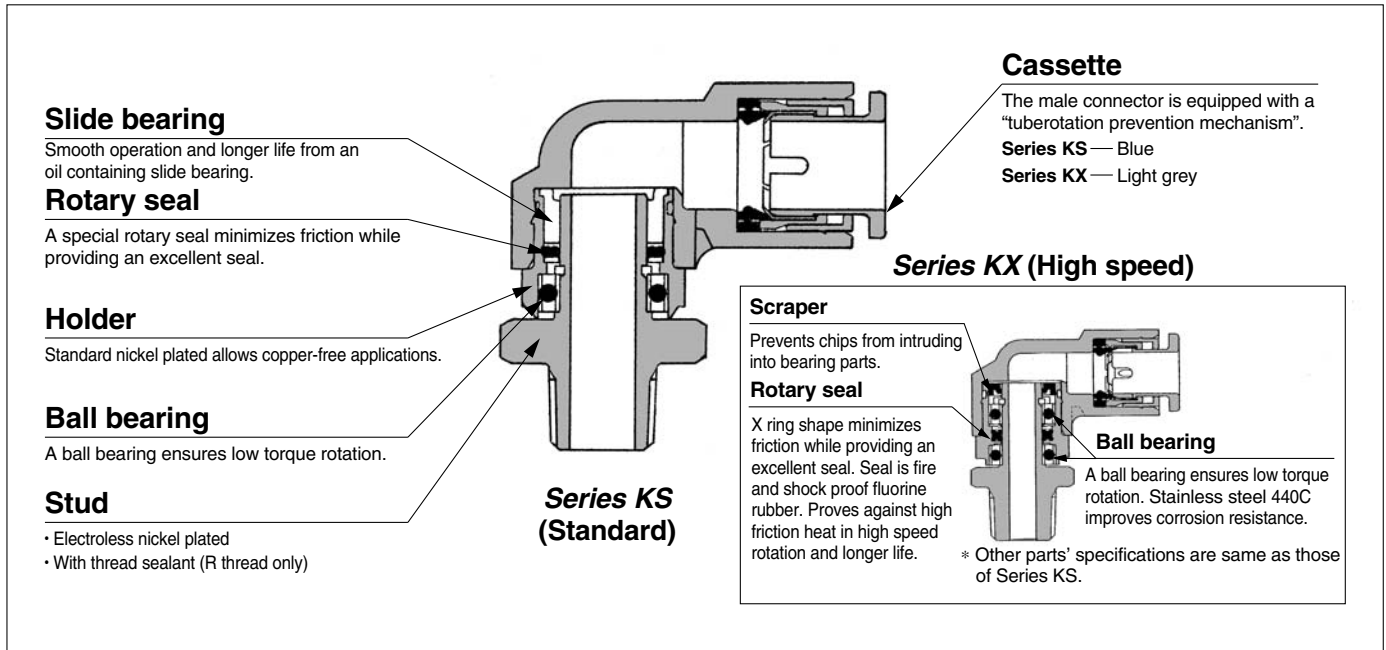


Rotary One-touch Fittings Standard Type/High Speed Type Series **KS/KX**



Low torque rotation style Rotary One-touch fittings

Applicable to use for
oscillating and rotating
sections in robots.

Copper-free specifications
Brass parts are all
electroless nickel plated.
Sealant is standard.



Applicable Tubing

Tubing material	FEP, PFA, Nylon, Soft nylon, Polyurethane
Tubing O.D.	ø4, ø6, ø8, ø10, ø12

Specifications

Fluid	Air
Operating pressure range ⁽¹⁾	-100 kPa to 1 MPa
Proof pressure	3 MPa
Ambient and fluid temperature	-5 to 60°C (No freezing)
Thread	JIS B 0203 (Taper thread for piping), JIS B 0205 (Metric coarse thread)

Note 1) Please avoid using in a vacuum holding application such as a leak tester, since there is leakage.
Also, when using in a vacuum, grease may enter the inside due to the nature of its construction.

Rotating Torque/Allowable Number of Rotations



Applicable tubing O.D.		ø4	ø6	ø8	ø10	ø12
Rotating torque (N·m) ⁽²⁾		0.006	0.012	0.014	0.020	0.022
Allowable number of rotations(S ⁻¹) ⁽³⁾	Series KS	8.4	8.4	6.7	5	4.2
	Series KX	25	20	20	16.7	16.7

Note 2) Rotating torque under pressure 0.5 MPa
Note 3) Number of rotations per second

Principal Parts Material

Principal parts	Series KS	Series KX
Body	PBT	
Stud, Holder, Guide	C3604 (Electroless nickel plated), Stainless steel 304	
Chuck, Retainer	Stainless steel (Stainless steel 304) (Retainer (C) of Series KX: C3604 (electroless nickel plated))	
Collet, Release button, Snap ring	Polyacetal	
O-ring, Packing	NBR	
Rotary seal	NBR	FKM
Slide bearing	Oil-containing polyacetal	—
Scraper	—	NBR
Ball bearing	Bearing steel	Stainless steel 440C
Gasket	Stainless steel 304, NBR	

Series KS/Series KX

Model	Connection thread	Applicable tubing O.D. (mm)				
		ø4	ø6	ø8	ø10	ø12
Male connector KSH KXH 	M5 x 0.8	●	●			
	M6 x 1	●	●			
	R 1/8	●	●	●		
	R 1/4		●	●	●	
	R 3/8			●	●	●
	R 1/2				●	●
Male elbow KSL KXL 	M5 x 0.8	●	●			
	M6 x 1	●	●			
	R 1/8	●	●	●		
	R 1/4		●	●	●	
	R 3/8			●	●	●
	R 1/2				●	●

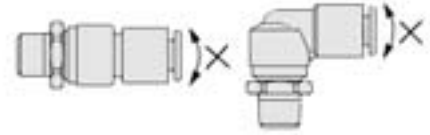
- K
- M
- H
- KK
- D
- MS
- LQ
- MQR
- T

⚠ Precautions

Be sure to read before handling.
Refer to front matters 58 and 59 for Safety Instructions and pages 13 to 16 for Fittings and Tubing Precautions.

⚠ Caution

1. Implement the tube piping in such a way that lateral load should not be applied on the ball bearings at the rotating part, otherwise it may adversely affect the life expectancy.
 A flexible polyurethane tube is recommended when lateral load is applied.



2. Do not use in an environment where it will be exposed to water.
 Contact with water will cause outflow of the lubricating oil used in the ball bearings, and adversely affect rotating performance and equipment lifespan.
3. Fluorine grease is used on the rotating portions.

Series KS/KX

Male connector: KSH (Standard)

<M5, M6>



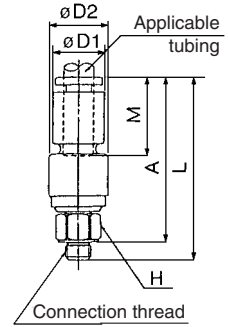
<R>



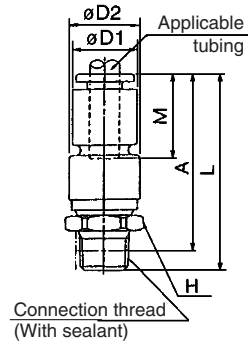
Applicable tubing O.D. (mm)	Connection thread R M	Model	H (width across flats)	D1	D2	L	A *	M	Min. port size	Effective area (mm ²)		Mass (g)
										Nylon	Urethane	
4	M5 x 0.8	KSH04-M5	8	10.4	12	36.5	33	16	2.5	4.0	4.0	9
	M6 x 1	KSH04-M6				37	34					
	1/8	KSH04-01S	37.1			34						
6	M5 x 0.8	KSH06-M5	8	12.8	14	37.5	33.5	17	2.5	4.0	4.0	12
	M6 x 1	KSH06-M6				38	34					
	1/8	KSH06-01S	38.6			35.5						
	1/4	KSH06-02S	42			36.5						
8	1/8	KSH08-01S	14	17	15.2	43.1	40	18.5	6	26.1	18.0	23
	1/4	KSH08-02S				46.5	41					
	3/8	KSH08-03S				46.9	41.5					
10	1/4	KSH10-02S	17	22	18.5	53.5	48	21	7	36.3	29.5	55
	3/8	KSH10-03S				53.9	48.5					
	1/2	KSH10-04S				56.6	49.5					
12	3/8	KSH12-03S	24	20.9	24	55.9	50.5	22	8	46.1	16.1	75
	1/2	KSH12-04S				59.1	52					

* Reference dimensions after R thread installation.

<M5, M6>



<R>



Male Connector: KXH (High speed)

<M5, M6>



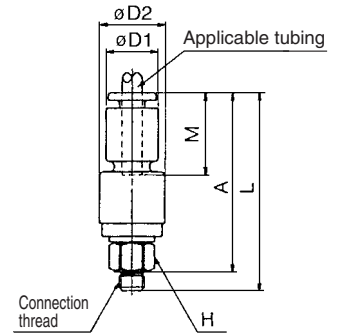
<R>



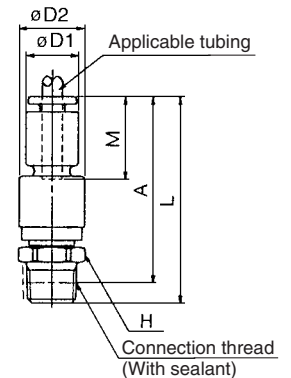
Applicable tubing O.D. (mm)	Connection thread R M	Model	H (width across flats)	D1	D2	L	A *	M	Min. port size	Effective area (mm ²)		Mass (g)
										Nylon	Urethane	
4	M5 x 0.8	KXH04-M5	8	10.4	13	38.5	35	16	2.5	4.0	4.0	11
	M6 x 1	KXH04-M6				39	36					
	1/8	KXH04-01S	39.1			36						
6	M5 x 0.8	KXH06-M5	8	12.8	15	39.5	36	17	2.5	4.0	4.0	15
	M6 x 1	KXH06-M6				40	36					
	1/8	KXH06-01S	41.1			38						
	1/4	KXH06-02S	44.5			39						
8	1/8	KXH08-01S	14	17	15.2	45.1	42	18.5	6	26.1	18.0	28
	1/4	KXH08-02S				48.5	43					
	3/8	KXH08-03S				48.9	44					
10	1/4	KXH10-02S	17	22	18.5	57.5	52	21	7	36.3	29.5	68
	3/8	KXH10-03S				57.9	53					
	1/2	KXH10-04S				61.1	53					
12	3/8	KXH12-03S	24	20.9	26	58.9	54	22	8	46.1	46.1	88
	1/2	KXH12-04S				62.1	55					

* Reference dimensions after R thread installation.

<M5, M6>



<R>



Male Elbow: KSL (Standard)

<M5, M6>

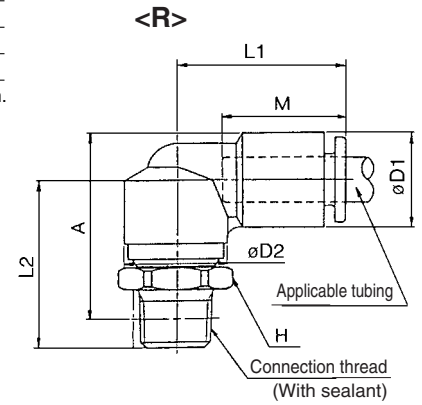
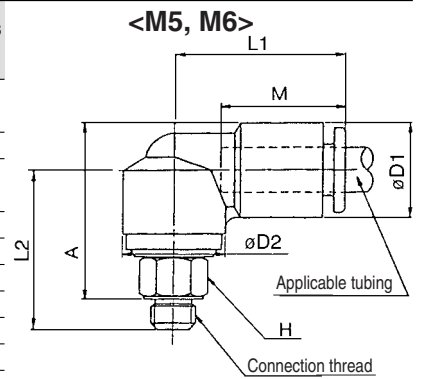


<R>



Applicable tubing O.D. (mm)	Connection thread R M	Model	H (width across flats)	D1	D2	L1	L2	A *	M	Min. port size	Effective area (mm ²)		Mass (g)	
											Nylon	Urethane		
4	M5 x 0.8	KSL04-M5	8	10.4	12	21	20.5	22	16	2.5	3.5	3.5	9	
	M6 x 1	KSL04-M6					21						23.5	14
	1/8	KSL04-01S					21.1						23.5	14
6	M5 x 0.8	KSL06-M5	8	12.8	14	23	21	24	17	3	5.0	5.0	12	
	M6 x 1	KSL06-M6					21.5						24	12
	1/8	KSL06-01S					22.1						25.5	17
	1/4	KSL06-02S					25.5						26.5	23
8	1/8	KSL08-01S	17	15.2	17	26	25.6	30	18.5	6	21.6	14.9	23	
	1/4	KSL08-02S					29						31	29
	3/8	KSL08-03S					29.9						32	38
10	1/4	KSL10-02S	22	18.5	22	31.5	33.5	37.5	21	7	30.5	25.0	56	
	3/8	KSL10-03S					33.9						38	64
	1/2	KSL10-04S					37.1						39.5	82
12	3/8	KSL12-03S	24	20.9	24	34	35.4	40.5	22	8	35.1	35.1	76	
	1/2	KSL12-04S					38.6						42	93

* Reference dimensions after R thread installation.



- K
- M
- H
- KK
- D
- MS
- LQ
- MQR
- T

Male Elbow: KXL (High speed)

<M5, M6>



<R>



Applicable tubing O.D. (mm)	Connection thread R M	Model	H (width across flats)	D1	D2	L1	L2	A *	M	Min. port size	Effective area (mm ²)		Mass (g)	
											Nylon	Urethane		
4	M5 x 0.8	KXL04-M5	8	10.4	13	22	22.5	24	16	2.5	3.5	3.5	11	
	M6 x 1	KXL04-M6					23						25	16
	1/8	KXL04-01S					23.1						25	16
6	M5 x 0.8	KXL06-M5	8	12.8	15	24	23.5	26	17	3	5.0	5.0	15	
	M6 x 1	KXL06-M6					24						26	20
	1/8	KXL06-01S					24.1						28	26
	1/4	KXL06-02S					27.5						29	26
8	1/8	KXL08-01S	17	15.2	18	27	28.1	32	18.5	6	21.6	14.9	28	
	1/4	KXL08-02S					31.5						33	34
	3/8	KXL08-03S					31.9						34	43
10	1/4	KXL10-02S	22	18.5	23.5	32	37.5	42	21	7	30.5	25.0	69	
	3/8	KXL10-03S					37.9						42	77
	1/2	KXL10-04S					41.1						43	95
12	3/8	KXL12-03S	24	20.9	26	35	38.9	44	22	8	35.1	35.1	89	
	1/2	KXL12-04S					42.1						45	106

* Reference dimensions after R thread installation.

