

APPLICATION REQUIREMENTS



Full Name: _____ Phone: _____

Address: _____ City/State/Zip: _____

Country: _____ Company: _____

Your Role: _____ Email: _____

	"X" Axis	"Y" Axis	"Z" Axis
Maximum Travel (mm)	_____	_____	_____
Maximum Speed (mm/sec)	_____	_____	_____
Repeatability (+/- mm)	_____	_____	_____
Linear Accuracy (+/- mm)	_____	_____	_____

Payload (lbs.) _____ Duty Cycle _____

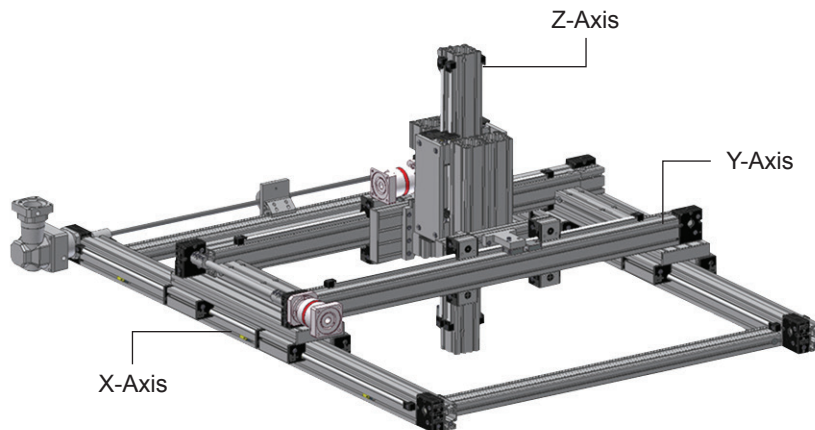
Load Overhung, Distance _____ Mounting Orientation _____

Operating Temperature _____ Cost Goal _____

Coupling Type _____

Working Environment: Wet Dry Hot Dirty Cold Clean Indoor Outdoor Washdown

Other: _____



The specifications and data in this publication are believed to be accurate and reliable. However it is the responsibility of the product user to determine the suitability of Macron Dynamics Inc products for a specific application. While defective products will be replaced without charge if promptly returned, no liability is assumed beyond such replacement

Courtesy of Steven Engineering, Inc. - (800) 258-9200 - sales@steveneng.com - www.stevenengineering.com