

---

# REPLACEMENT PARTS

---

## QO® Circuit Breaker Load Centers

### INDEX

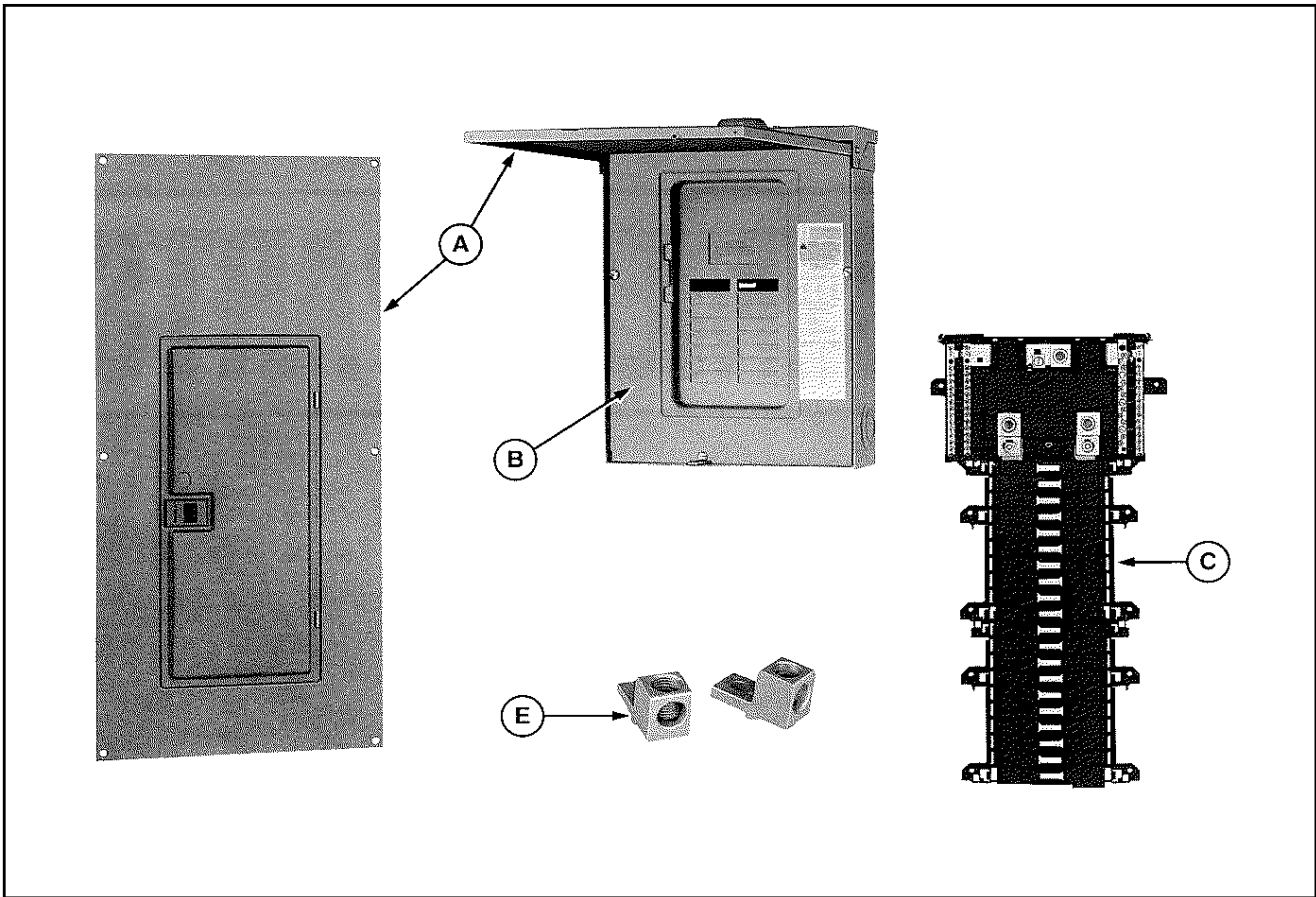
	Page
QO112L125G through QO142L225GRB, Series S1 .....	2-3
QO112M100 through QO18-16M200FTRB, Series S1 .....	4-5
QO312L125G through QO342L225GRB, Series S1 .....	6
QO327M100 through QO342M225RB, Series S1 .....	7
QO2L30S through QON42LS400 .....	8-9
QO12L125 through QO42L225RB .....	10-11
QO12M100 through QON42MS400 .....	12-13
QO403L60NF through QON442LS400 .....	14
QO427M100 through QON442MS400 .....	15
QO20MP100 through QO430MPB200 .....	16



**SQUARE D**  
GROUPE SCHNEIDER

# QO Load Centers

## Single Phase – Convertible Main Lugs



**DANGER:** Hazard of electrical shock or burn. TURN OFF POWER supplying equipment before working inside. Replace all parts and close covers before energizing. Failure to follow these precautions can result in death or personal injury.

## QO Load Centers Single Phase – Convertible Main Lugs, Series S1

### Single Phase – Convertible Main Lugs, Series S1

Illustration Code		A	B	C	D	E	F
Catalog Number	Series	Cover or RB Door	Interior Trim	Interior Assembly	Neutral Bonding Hardware	Main Lugs	Neutral Assembly
QO112L125G	S1	QOC16UF/S	-	QO112L125I	40283-458-50	QOL125	N/A
QO112L125GRB	S1	40548-022-08	40545-200-01	QO112L125RBI	40283-458-50	QOL125	N/A
QO11224L125G	S1	QOC16UF/S	-	QO11224L125I	40283-458-50	QOL125	N/A
QO11224L125GC	S1	QOC16UF/S	-	QO11224L125I	40283-458-50	QOL125	N/A
QO11224L125GRB	S1	40548-022-08	40545-200-01	QO11224L125RBI	40283-458-50	QOL125	N/A
QO11224L125GWGC	S1	QOC20WGC	-	QO11224L125WGI	40283-458-50	QOL125	N/A
QO116L125G	S1	QOC24UF/S	-	QO116L125I	40283-458-50	QOL125	N/A
QO11624L125G	S1	QOC24UF/S	-	QO11624L125I	40283-458-50	QOL125	N/A
QO11624L125GRB	S1	40548-022-09	40545-075-01	QO11624L125RBI	40283-458-50	QOL125	N/A
QO120L125G	S1	QOC24UF/S	-	QO120L125I	40283-458-50	QOL125	N/A
QO120L125GC	S1	QOC24UF/S	-	QO120L125I	40283-458-50	QOL125	N/A
QO12024L125G	S1	QOC24UF/S	-	QO12024L125I	40283-458-50	QOL125	N/A
QO12024L125GWGC	S1	QOC20WGC	-	QO12024L125WGI	40283-458-50	QOL125	N/A
QO124L125G	S1	QOC24UF/S	-	QO124L125I	40283-458-50	QOL125	N/A
QO124L125GRB	S1	40548-022-09	40545-201-01	QO124L125RBI	40283-458-50	QOL125	N/A
QO12030L150G	S1	QOC30UF/S	-	QO12030L150I	40283-448-50	QOL225	N/A
QO124L150G	S1	QOC30UF/S	-	QO124L150I	40283-448-50	QOL225	N/A
QO130L150G	S1	QOC30UF/S	-	QO130L150I	40283-448-50	QOL225	N/A
QO130L150GRB	S1	40548-022-04	40545-203-01	QO130L150RBI	40283-448-50	QOL225	N/A
QO112L200G	S1	QOC30UF/S	-	QO112L200I	40283-448-50	QOL225	N/A
QO112L200GRB	S1	40548-022-03	40545-202-01	QO112L200RBI	40283-448-50	QOL225	N/A
QO130L200G	S1	QOC30UF/S	-	QO130L200I	40283-448-50	QOL225	N/A
QO130L200GRB	S1	40548-022-04	40545-203-01	QO130L200RBI	40283-448-50	QOL225	N/A
QO13040L200G	S1	QOC30UF/S	-	QO13040L200I	40283-448-50	QOL225	N/A
QO13040L200GC	S1	QOC30UF/S	-	QO13040L200I	40283-448-50	QOL225	N/A
QO13040L200GRB	S1	40548-022-04	40545-203-01	QO13040L200RBI	40283-448-50	QOL225	N/A
QO142L225G	S1	QOC42UF/S	-	QO142L225I	40283-448-50	QOL225	N/A
QO142L225GRB	S1	40548-022-07	40545-204-01	QO142L225RBI	40283-448-50	QOL225	N/A

Indoor cover mounting screw (.75") 40205-130-02

Indoor cover door hinge 40545-092-01

Indoor cover door latch:

Latch 40545-087-01

Latch spring 40545-088-01

RB trim mounting screw (.50") 40205-130-01

RB door mounting screws 21427-171-61

Main breaker and main lugs keps nut 23427-020-01

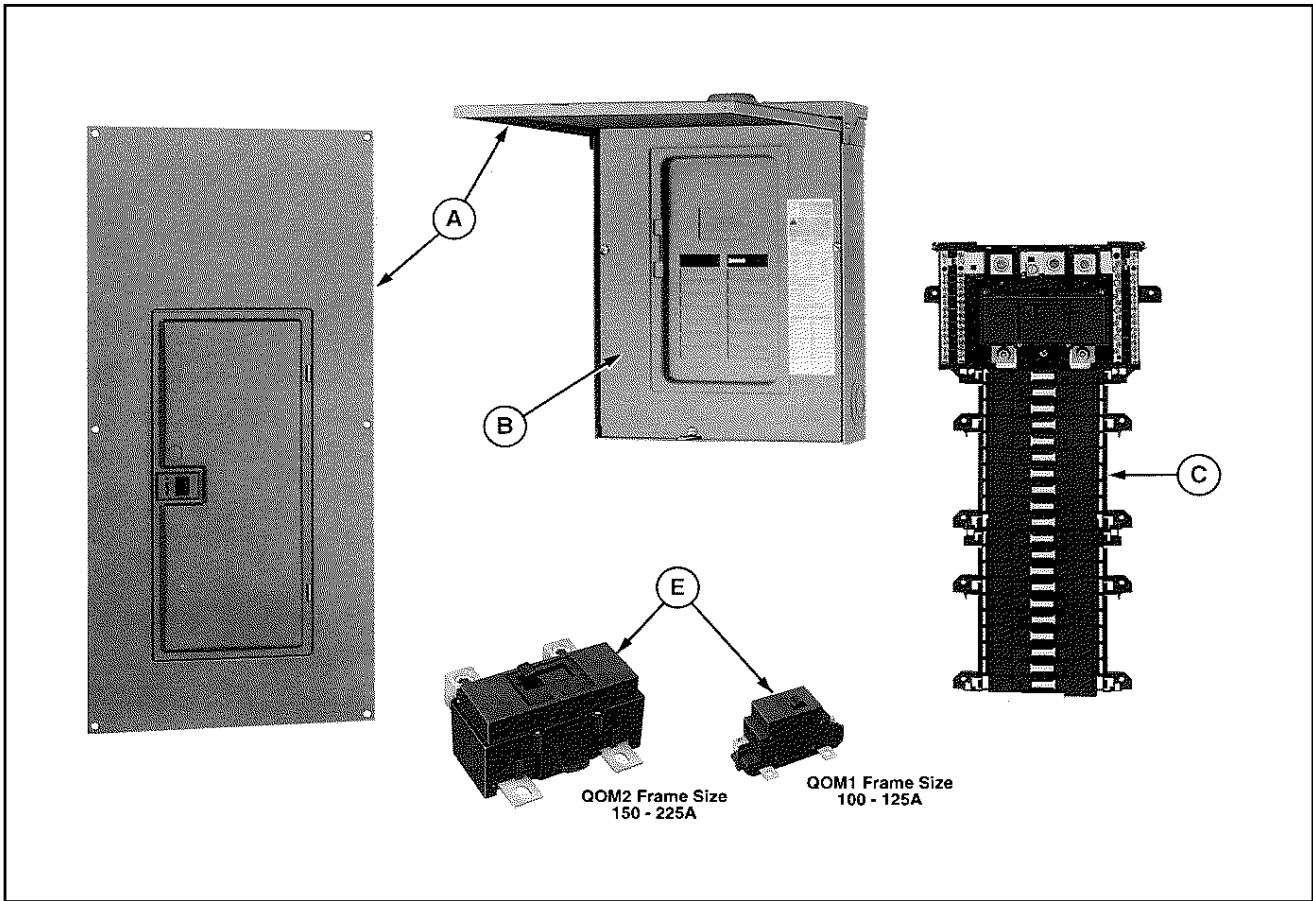
N/A - not available

Replacement boxes are not available.



**DANGER:** Hazard of electrical shock or burn. TURN OFF POWER supplying equipment before working inside. Replace all parts and close covers before energizing. Failure to follow these precautions can result in death or personal injury.

# QO Load Centers Single Phase - Main Breaker



**DANGER:** Hazard of electrical shock or burn. TURN OFF POWER supplying equipment before working inside. Replace all parts and close covers before energizing. Failure to follow these precautions can result in death or personal injury.

## QO Load Centers Single Phase – Convertible Main Breaker, Series S1

### Single Phase – Convertible Main Breaker, Series S1

Illustration Code		A	B	C	D	E	F
Catalog Number	Series	Cover or RB Door	Interior Trim	Interior Assembly	Neutral Bonding Hardware	Main Breaker	Neutral Assembly
QO112M100	S1	QOC12UF/S	-	QO112M100I	40283-458-50	QOM100VH	N/A
QO112M100C	S1	QOC12UF/S	-	QO112M100I	40283-458-50	QOM100VH	N/A
QO112M100RB	S1	40548-022-08	40545-073-01	QO112M100RBI	40283-458-50	QOM100VH	N/A
QO11220M100C	S1	QOC12UF/S	-	QO11220M100I	40283-458-50	QOM100VH	N/A
QO116M100	S1	QOC20U100F/S	-	QO116M100I	40283-458-50	QOM100VH	N/A
QO116M100C	S1	QOC20U100F/S	-	QO116M100I	40283-458-50	QOM100VH	N/A
QO116M100RB	S1	40548-022-08	40545-073-01	QO116M100RBI	40283-458-50	QOM100VH	N/A
QO120M100	S1	QOC20U100F/S	-	QO120M100I	40283-458-50	QOM100VH	N/A
QO120M100C	S1	QOC20U100F/S	-	QO120M100I	40283-458-50	QOM100VH	N/A
QO120M100RB	S1	40548-022-09	40545-075-01	QO120M100RBI	40283-458-50	QOM100VH	N/A
QO124M100	S1	QOC24UF/S	-	QO124M100I	40283-458-50	QOM100VH	N/A
QO124M125	S1	QOC24UF/S	-	QO124M125I	40283-458-50	QOM125VH	N/A
QO124M125RB	S1	40548-022-09	40545-075-01	QO124M125RBI	40283-458-50	QOM125VH	N/A
QO12030M150	S1	QOC30UF/S	-	QO12030M150I	40283-448-50	QOM2150VH	N/A
QO12030M150C	S1	QOC30UF/S	-	QO12030M150I	40283-448-50	QOM2150VH	N/A
QO12030M150RB	S1	40548-022-03	40563-092-01	QO12030M150RBI	40283-448-50	QOM2150VH	N/A
QO124M150	S1	QOC30UF/S	-	QO124M150I	40283-448-50	QOM2150VH	N/A
QO130M150	S1	QOC30UF/S	-	QO130M150I	40283-448-50	QOM2150VH	N/A
QO130M150C	S1	QOC30UF/S	-	QO130M150I	40283-448-50	QOM2150VH	N/A
QO130M150RB	S1	40548-022-04	40545-077-01	QO130M150RBI	40283-448-50	QOM2150VH	N/A
QO12040M200	S1	QOC30UF/S	-	QO12040M200I	40283-448-50	QOM2200VH	N/A
QO12040M200C	S1	QOC30UF/S	-	QO12040M200I	40283-448-50	QOM2200VH	N/A
QO12040M200RB	S1	40548-022-03	40563-092-01	QO12040M200RBI	40283-448-50	QOM2200VH	N/A
QO12040M200TC	S1	QOC30UF/S	-	QO12040M200I	40283-448-50	QOM2200VH	N/A
QO124M200	S1	QOC30UF/S	-	QO124M200I	40283-448-50	QOM2200VH	N/A
QO130M200	S1	QOC30UF/S	-	QO130M200I	40283-448-50	QOM2200VH	N/A
QO130M200C	S1	QOC30UF/S	-	QO130M200I	40283-448-50	QOM2200VH	N/A
QO130M200RB	S1	40548-022-04	40545-077-01	QO130M200RBI	40283-448-50	QOM2200VH	N/A
QO13040M200	S1	QOC30UF/S	-	QO13040M200I	40283-448-50	QOM2200VH	N/A
QO13040M200C	S1	QOC30UF/S	-	QO13040M200I	40283-448-50	QOM2200VH	N/A
QO140M200	S1	QOC40UF/S	-	QO140M200I	40283-448-50	QOM2200VH	N/A
QO140M200C	S1	QOC40UF/S	-	QO140M200I	40283-448-50	QOM2200VH	N/A
QO140M200RB	S1	40548-022-07	40563-097-01	QO140M200RBI	40283-448-50	QOM2200VH	N/A
QO140M225	S1	QOC42UF/S	-	QO140M225I	40283-448-50	QOM2225VH	N/A

### Feed-Thru Main Breaker, Series S1

Illustration Code		A	B	C	D	E	F
Catalog Number	Series	Cover or RB Door	Interior Trim	Interior Assembly	Neutral Bonding Hardware	Main Breaker	Neutral Assembly
QO1612M125FTRB	S1	40548-022-03	40545-278-02	QO1612M125FTRBI	40283-458-50	QOM125VH	N/A
QO1816M150FTRB	S1	40548-022-04	40563-096-01	QO1816M150FTRBI	40283-448-50	QOM2150VH	N/A
QO1816M200FTRB	S1	40548-022-04	40563-096-01	QO1816M200FTRBI	40283-448-50	QOM2200VH	N/A

Indoor cover mounting screw (.75") 40205-130-02

Indoor cover door hinge 40545-092-01

Indoor cover door latch:

Latch 40545-087-01

Latch spring 40545-088-01

RB trim mounting screw (.50") 40205-130-01

RB door mounting screws 21427-171-61

Main breaker and main lugs keps nut 23427-020-01

N/A - not available

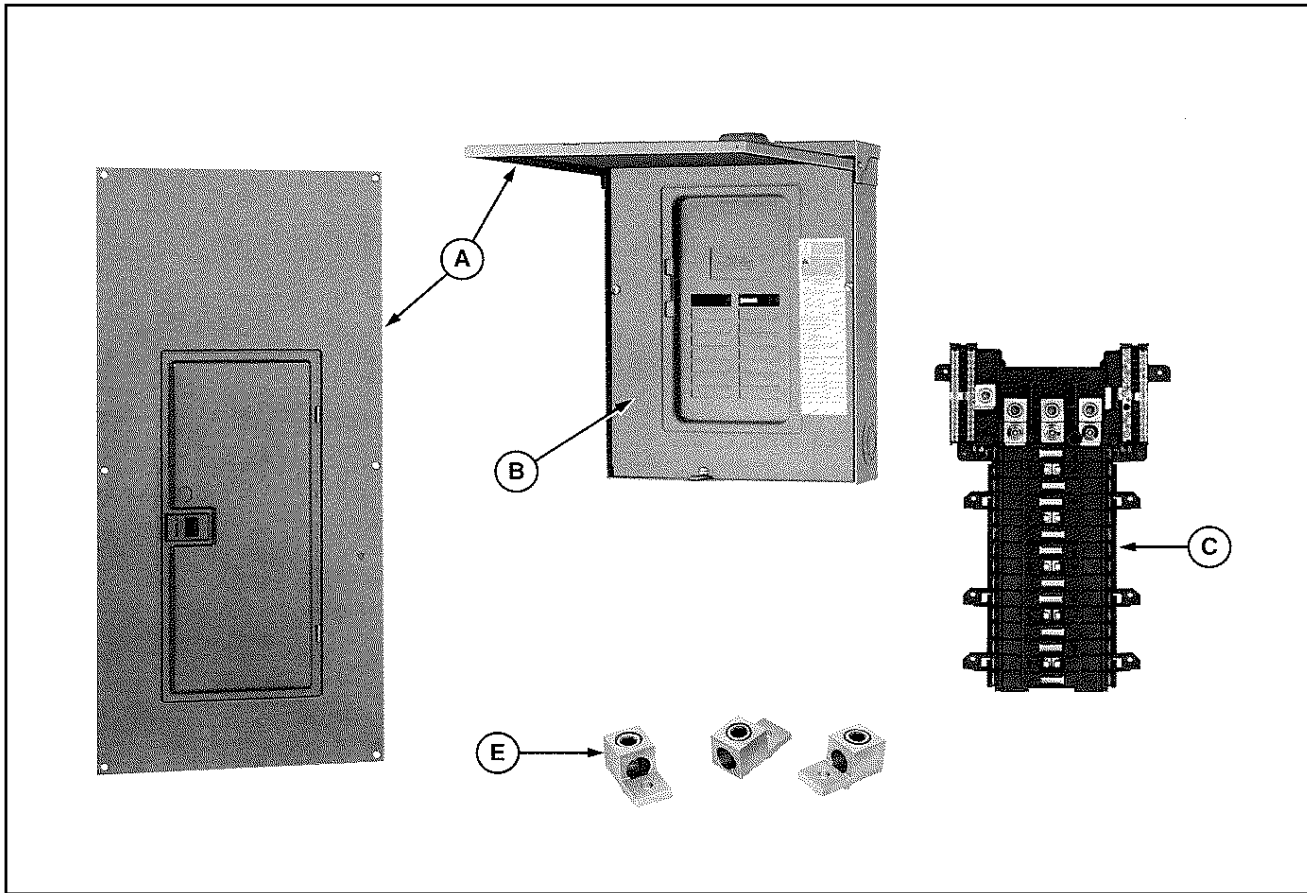
Replacement boxes are not available.



**DANGER:** Hazard of electrical shock or burn. TURN OFF POWER supplying equipment before working inside. Replace all parts and close covers before energizing. Failure to follow these precautions can result in death or personal injury.

# QO Load Centers

## Three Phase – Fixed Main Lugs, Series S1



### Three Phase – Fixed Main Lugs, Series S1

Illustration Code		A	B	C	D	E	F
Catalog Number	Series	Cover or RB Door	Interior Trim	Interior Assembly	Neutral Bonding Hardware	Main Lugs	Neutral Assembly
QO312L125G	S1	QOC16UF/S	-	QO312L125I	40283-448-50	QOL3125	N/A
QO312L125GRB	S1	40548-022-02	40545-200-01	QO312L125RBI	40283-448-50	QOL3125	N/A
QO320L125G	S1	QOC24UF/S	-	QO320L125I	40283-448-50	QOL3125	N/A
QO320L125GRB	S1	40548-022-06	40545-201-01	QO320L125RBI	40283-448-50	QOL3125	N/A
QO324L125G	S1	QOC24UF/S	-	QO324L125I	40283-448-50	QOL3125	N/A
QO318L200G	S1	QOC30UF/S	-	QO318L200I	40283-448-50	QOL3225	N/A
QO318L200GRB	S1	40548-022-04	40545-203-01	QO318L200RBI	40283-448-50	QOL3225	N/A
QO330L200G	S1	QOC30UF/S	-	QO330L200I	40283-448-50	QOL3225	N/A
QO330L200GRB	S1	40548-022-04	40545-203-01	QO330L200RBI	40283-448-50	QOL3225	N/A
QO342L225G	S1	QOC42UF/S	-	QO342L225I	40283-448-50	QOL3225	N/A
QO342L225GRB	S1	40548-022-05	40545-204-01	QO342L225RBI	40283-448-50	QOL3225	N/A

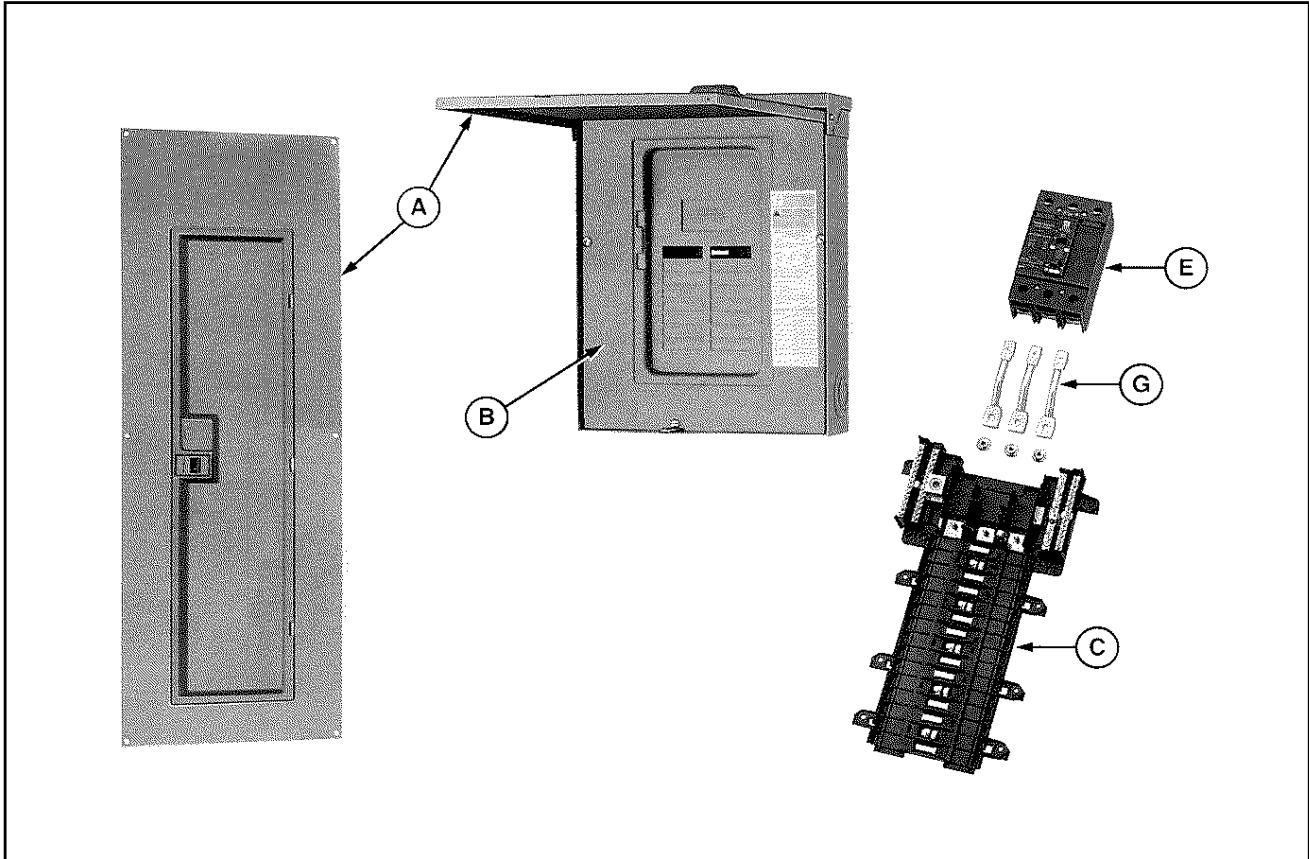
Indoor cover mounting screw (.75") 40205-130-02  
 Indoor cover door hinge 40545-092-01  
 Indoor cover door latch:  
 Latch 40545-087-01  
 Latch spring 40545-088-01

RB trim mounting screw (.50") 40205-130-01  
 RB door mounting screws 21427-171-61  
 N/A - not available  
 Replacement boxes are not available.  
 Interior assembly provided with main lugs.  
 Main lug mounting hardware:  
 125A 23427-020-01  
 200 & 225A 23427-020-00



**DANGER:** Hazard of electrical shock or burn. TURN OFF POWER supplying equipment before working inside. Replace all parts and close covers before energizing. Failure to follow these precautions can result in death or personal injury.

# QO Load Centers Three Phase – Convertible Main Breaker, Series S1



## Three Phase – Convertible Main Breaker , Series S1

Illustration Code		A	B	C	D	E	F	G
Catalog Number	Series	Cover or RB Door	Interior Trim	Interior Assembly	Neutral Bonding Hardware	Main Breaker	Neutral Assembly	Main Breaker Connecting Strap
QO327M100	S1	QOC30UF/S	-	QO327M100I	40283-448-50	QO3100VH	N/A	-
QO327M100RB	S1	40548-022-04	40545-203-01	QO327M100RBI	40283-448-50	QO3100VH	N/A	-
QO330M125	S1	QOC342MF/S	-	QO330M125I	40283-448-50	KDL32125	N/A	40559-019-01
QO330M125RB	S1	40563-055-50	40563-054-01	QO330M125RBI	40283-448-50	KDL32125	N/A	40559-019-01
QO330M150	S1	QOC342MF/S	-	QO330M150I	40283-448-50	KDL32150	N/A	40559-019-01
QO330M150RB	S1	40563-055-50	40563-054-01	QO330M150RBI	40283-448-50	KDL32150	N/A	40559-019-01
QO342M150	S1	QOC342MF/S	-	QO342M150I	40283-448-50	KDL32150	N/A	40559-019-01
QO330M200	S1	QOC342MF/S	-	QO330M200I	40283-448-50	KDL32200	N/A	40559-019-01
QO330M200RB	S1	40563-055-50	40563-054-01	QO330M200RBI	40283-448-50	KDL32200	N/A	40559-019-01
QO342M200	S1	QOC342MF/S	-	QO342M200I	40283-448-50	KDL32200	N/A	40559-019-01
QO342M200RB	S1	40563-055-50	40563-054-01	QO342M200RBI	40283-448-50	KDL32200	N/A	40559-019-01
QO342M225	S1	QOC342MF/S	-	QO342M225I	40283-448-50	KDL32225	N/A	40559-019-01
QO342M225RB	S1	40563-055-50	40563-054-01	QO342M225RBI	40283-448-50	KDL32225	N/A	40559-019-01

Indoor cover mounting screw (.75") 40205-130-02  
 Indoor cover door hinge 40545-092-01  
 Indoor cover door latch:  
 Latch 40545-087-01  
 Latch spring 40545-088-01

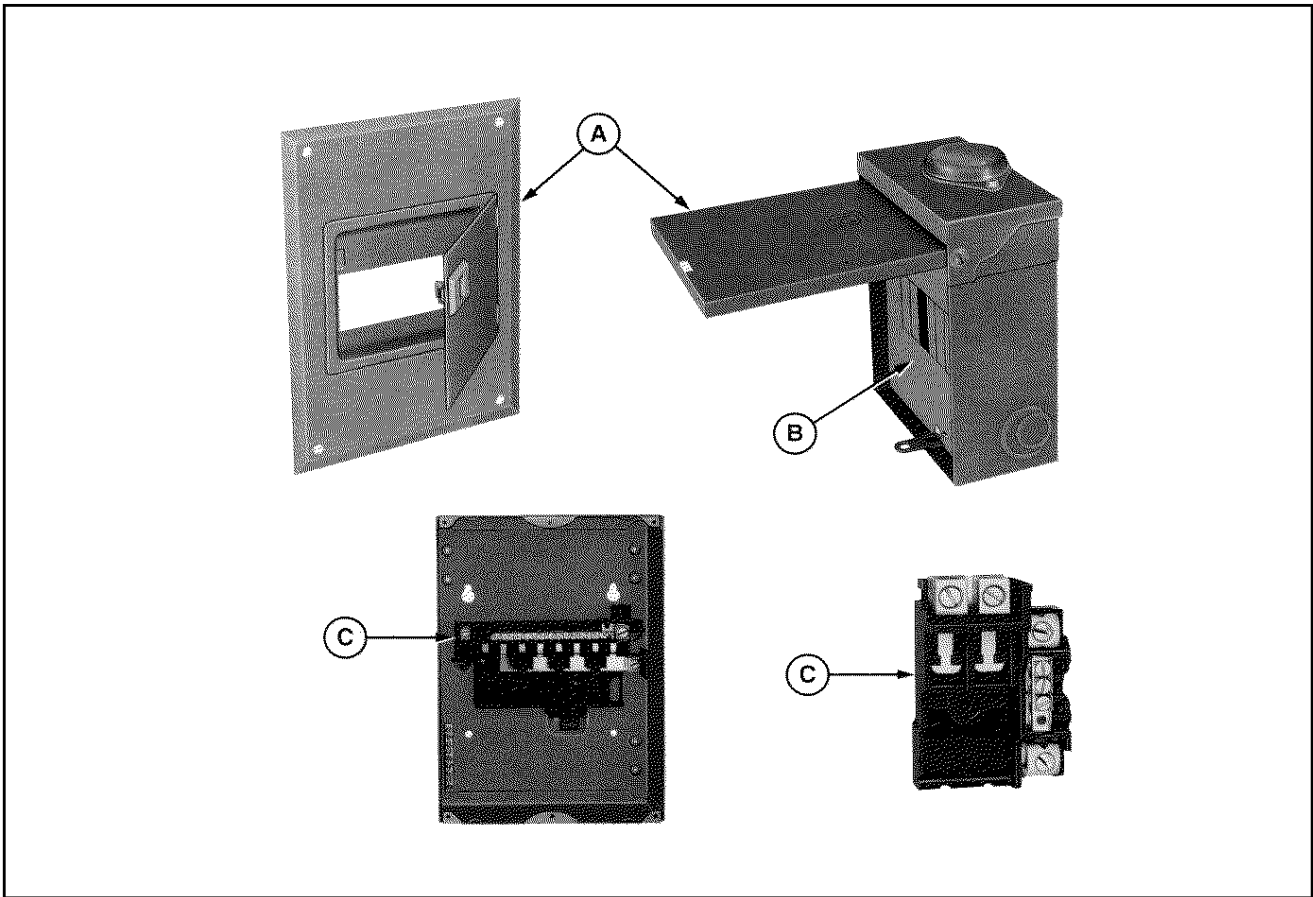
RB trim mounting screw (.50") 40205-130-01  
 RB door mounting screws 21427-171-61  
 N/A - not available  
 Replacement boxes are not available.  
 Interior Assembly does not include main breaker.  
 Main breaker connecting strap mounting hardware 23427-020-00



**DANGER:** Hazard of electrical shock or burn. TURN OFF POWER supplying equipment before working inside. Replace all parts and close covers before energizing. Failure to follow these precautions can result in death or personal injury.

# QO Load Centers

## Single Phase – Fixed Main Lugs



**DANGER:** Hazard of electrical shock or burn. **TURN OFF POWER** supplying equipment before working inside. Replace all parts and close covers before energizing. Failure to follow these precautions can result in death or personal injury.



## QO Load Centers Single Phase – Fixed Main Lugs

### Single Phase – Fixed Main Lugs, Series 1, G1, and G3

Illustration Code		A	B	C	D	E	F
Catalog Number	Series	Cover or RB Door	Interior Trim	Interior Assembly	Neutral Bonding Hardware	Main Lugs	Neutral Assembly
QO2L30S	G1	40504-180-01	-	40504-967-50	-	N/A	N/A
QO2L30TTS	G1	40504-180-01	-	40504-959-50	-	N/A	N/A
QO2L40RB	G1	137109	40500-270-01	40504-967-50	40283-371-50	N/A	N/A
QO2-4L50TTS	G1	40504-977-01	-	40504-960-50	-	N/A	N/A
QO2-4L70F	G1	40504-978-01	-	40504-171-50	40283-370-50	N/A	N/A
QO2-4L70RB	G1	137109	40500-270-01	40504-171-50	40283-371-50	N/A	N/A
QO2-4L70S	G1	40504-977-01	-	40504-171-50	40283-372-50	N/A	N/A
QO2-4L70TS	G1	40504-977-01	-	40504-171-50	-	N/A	N/A
QO6-12L100DF	G3	40553-107-50	-	QON6-12L100	40283-141-50	N/A	N/A
QO6-12L100DFCU	G1	40553-107-50	-	40553-249-50	40283-141-50	N/A	N/A
QO6-12L100DS	G3	40553-108-50	-	QON6-12L100	40283-297-50	N/A	N/A
QO6-12L100DSCU	G1	40553-108-50	-	40553-249-50	40283-297-50	N/A	N/A
QO6-12L100DTF	G3	40553-107-50	-	40553-284-50	40283-141-50	N/A	N/A
QO6-12L100DTS	G3	40553-108-50	-	40553-284-50	40283-297-50	N/A	N/A
QO6-12L100F	G3	40553-091-01	-	QON6-12L100	40283-325-50	N/A	N/A
QO6-12L100RB	G3	40553-103-01	40553-093-01	QON6-12L100	40283-297-50	N/A	N/A
QO6-12L100RBCU	G1	40553-103-01	40553-093-01	40553-249-50	40283-297-50	N/A	N/A
QO6-12L100S	G3	40553-090-01	-	QON6-12L100	40283-297-50	N/A	N/A
QO6-12L100TF	G3	40553-091-01	-	40553-284-50	40283-325-50	N/A	N/A
QO6-12L100TRB	G3	40553-103-01	40553-093-01	40553-284-50	40283-297-50	N/A	N/A
QO6-12L100TS	G3	40553-090-01	-	40553-284-50	40283-297-50	N/A	N/A
QO8-16L100DF	G3	40553-107-50	-	QON8-16L100	40283-141-50	N/A	N/A
QO8-16L100DFCU	G2	40553-107-50	-	40553-250-50	40283-141-50	N/A	N/A
QO8-16L100DS	G3	40553-108-50	-	QON8-16L100	40283-297-50	N/A	N/A
QO8-16L100DSCU	G2	40553-108-50	-	40553-250-50	40283-297-50	N/A	N/A
QO8-16L100DTF	G3	40553-107-50	-	40553-280-50	40283-141-50	N/A	N/A
QO8-16L100DTS	G3	40553-108-50	-	40553-280-50	40283-297-50	N/A	N/A
QO8-16L100F	G3	40553-091-01	-	QON8-16L100	40283-325-50	N/A	N/A
QO8-16L100RB	G3	40553-103-01	40553-093-01	QON8-16L100	40283-297-50	N/A	N/A
QO8-16L100RBCU	G2	40553-103-01	40553-093-01	40553-250-50	40283-297-50	N/A	N/A
QO8-16L100S	G3	40553-090-01	-	QON8-16L100	40283-297-50	N/A	N/A
QO8-16L100TF	G3	40553-091-01	-	40553-280-50	40283-325-50	N/A	N/A
QO8-16L100TS	G3	40553-090-01	-	40553-280-50	40283-297-50	N/A	N/A
QON12LS400	1	MHC50VF/S	-	QON12LS400	80110-605-01	N/A	N/A
QON30LS400	1	MHC50VF/S	-	QON30LS400	80110-605-01	N/A	N/A
QON42LS400	1	MHC53VF/S	-	QON42LS400	80110-605-01	N/A	N/A

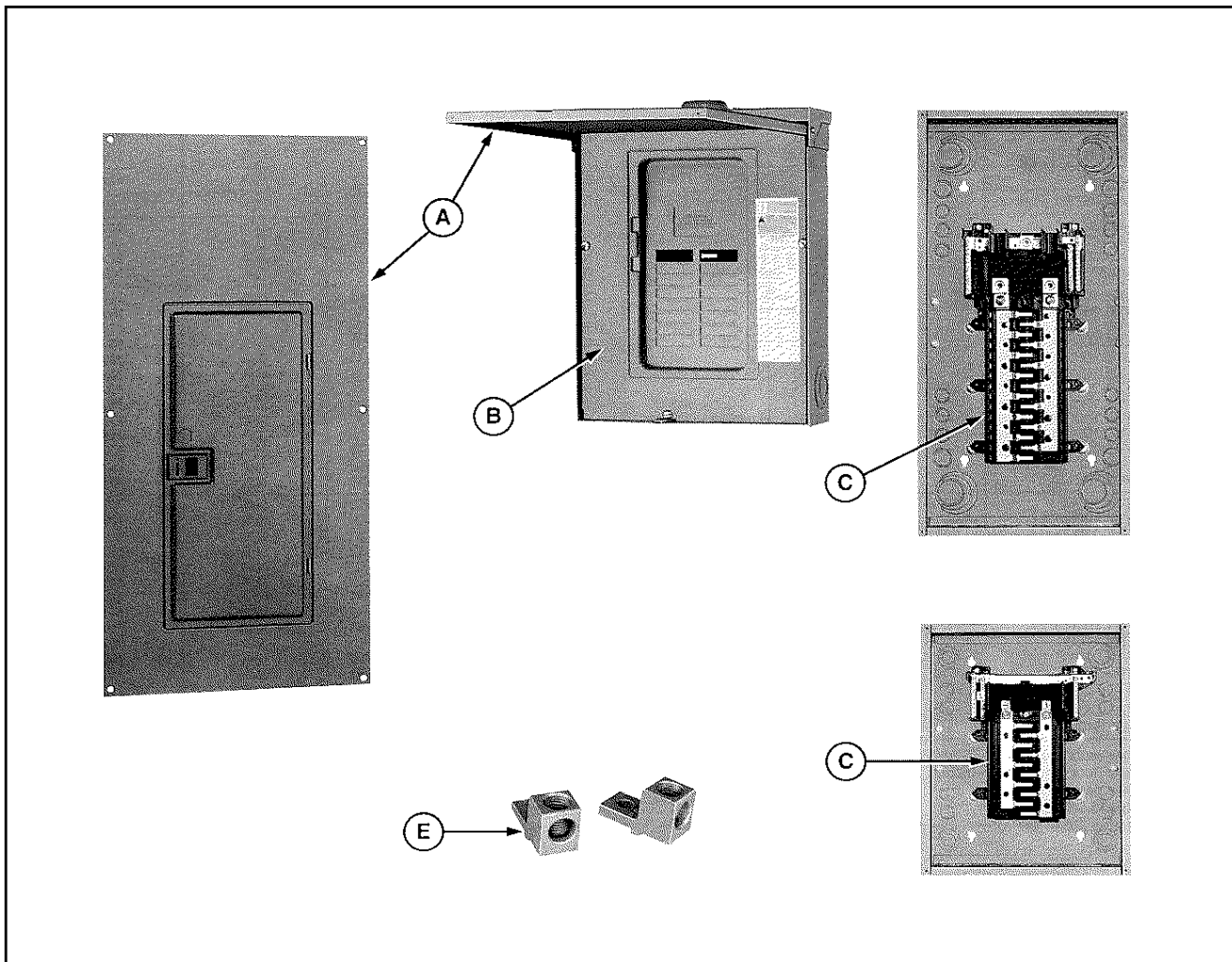
Indoor cover mounting screw (.75") 40205-130-02  
 Indoor cover door hinge 40545-092-01  
 Indoor cover door latch:  
 Latch 40545-087-01  
 Latch spring 40545-088-01

RB trim mounting screw (.50") 40205-130-01  
 RB door mounting screws 21427-171-61  
 N/A - not available  
 Replacement boxes are not available.  
 Replacement covers do not have labels applied.



**DANGER:** Hazard of electrical shock or burn. TURN OFF POWER supplying equipment before working inside. Replace all parts and close covers before energizing. Failure to follow these precautions can result in death or personal injury.

# QO Load Centers Single Phase – Convertible Main Lugs



**DANGER:** Hazard of electrical shock or burn. **TURN OFF POWER** supplying equipment before working inside. Replace all parts and close covers before energizing. Failure to follow these precautions can result in death or personal injury.

## QO Load Centers Single Phase – Convertible Main Lugs

### Single Phase – Convertible Main Lugs, Series G1 and G2

Illustration Code		A	B	C	D	E	F
Catalog Number	Series	Cover or RB Door	Interior Trim	Interior Assembly	Neutral Bonding Hardware	Main Lugs	Neutral Assembly
QO12L125	G1	QOC16UF/S	-	QON12L125	40283-185-61	QOL125	N/A
QO12L125RB	G1	40548-022-02	40545-200-01	QON12L125	40283-185-61	QOL125	N/A
QO12-24L125	G2	QOC16UF/S	-	QON12-24L125	40283-185-61	QOL125	N/A
QO12-24L125RB	G2	40548-022-02	40545-200-01	QON12-24L125	40283-185-61	QOL125	N/A
QO12-24L125WGF	G2	40545-123-50	-	QON12-24L125	40283-421-50	QOL125	N/A
QO16L125	G1	QOC16UF/S	-	QON16L125	40283-185-61	QOL125	N/A
QO16-24L125	G1	QOC16UF/S	-	QON16-24L125	40283-185-61	QOL125	N/A
QO16-24L125RB	G1	40548-022-02	40545-200-01	QON16-24L125	40283-185-61	QOL125	N/A
QO20L125	G1	QOC24UF/S	-	QON20L125	40283-185-61	QOL125	N/A
QO20-24L125	G1	QOC24UF/S	-	QON20-24L125	40283-185-61	QOL125	N/A
QO20-24L125WGF	G2	40548-123-52	-	QON20-24L125	40283-421-50	QOL125	N/A
QO24L125	G1	QOC24UF/S	-	QON24L125	40283-185-61	QOL125	N/A
QO24L125RB	G1	40548-022-06	40545-201-01	QON24L125	40283-185-61	QOL125	N/A
QO20-30L150	G1	QOC20UF/S	-	QON20-30L150	40283-404-50	QOL225	N/A
QO24L150	G1	QOC30UF/S	-	QON24L150	40283-404-50	QOL225	N/A
QO30L150	G1	QOC30UF/S	-	QON30L150	40283-404-50	QOL225	N/A
QO30L150RB	G1	40548-022-04	40545-203-01	QON30L150	40283-404-50	QOL225	N/A
QO12L200	G2	QOC20UF/S	-	QON12L200	40283-404-50	QOL225	N/A
QO12L200RB	G2	40548-022-04	40545-203-01	QON12L200	40283-404-50	QOL225	N/A
QO30L200	G1	QOC30UF/S	-	QON30L200	40283-404-50	QOL225	N/A
QO30L200RB	G1	40548-022-04	40545-203-01	QON30L200	40283-404-50	QOL225	N/A
QO30-40L200	G1	QOC30UF/S	-	QON30-40L200	40283-404-50	QOL225	N/A
QO30-40L200RB	G1	40548-022-04	40545-203-01	QON30-40L200	40283-404-50	QOL225	N/A
QO42L225	G1	QOC42UF/S	-	QON42L225	N/A	QOL225	N/A
QO42L225RB	G1	40548-022-05	40545-204-01	QON42L225	N/A	QOL225	N/A

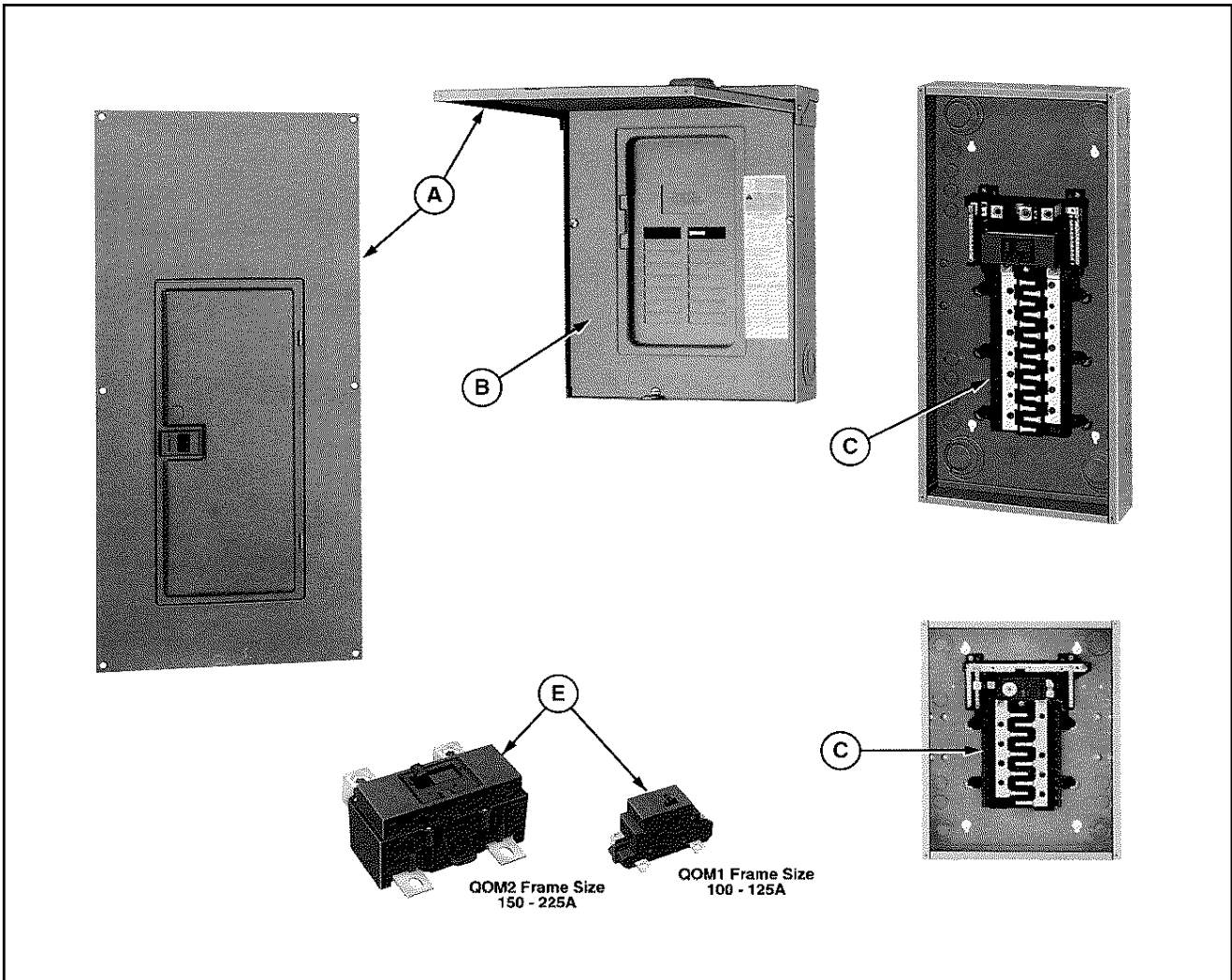
Indoor cover mounting screw (.75") 40205-130-02  
 Indoor cover door hinge 40545-092-01  
 Indoor cover door latch:  
 Latch 40545-087-01  
 Latch spring 40545-088-01

RB trim mounting screw (.50") 40205-130-01  
 RB door mounting screws 21427-171-61  
 N/A - not available  
 Replacement boxes are not available.



**DANGER:** Hazard of electrical shock or burn. TURN OFF POWER supplying equipment before working inside. Replace all parts and close covers before energizing. Failure to follow these precautions can result in death or personal injury.

# QO Load Centers Single Phase – Main Breaker



**DANGER:** Hazard of electrical shock or burn. TURN OFF POWER supplying equipment before working inside. Replace all parts and close covers before energizing. Failure to follow these precautions can result in death or personal injury.

## QO Load Centers Single Phase – Main Breaker

### Single Phase – Convertible Main Breaker , Series G1 and G2

Illustration Code		A	B	C	D	E	F
Catalog Number	Series	Cover or RB Door	Interior Trim	Interior Assembly	Neutral Bonding Hardware	Main Breaker	Neutral Assembly
QO12M100	G1	QOC12UF/S	-	QON12M100	40283-185-61	QOM100VH	N/A
QO12M100RB	G2	40548-022-02	40545-073-01	QON12M100	40283-185-61	QOM100VH	N/A
QO16M100	G1	QOC16UF/S	-	QON16M100	40283-185-61	QOM100VH	N/A
QO16M100RB	G1	40548-022-02	40545-073-01	QON16M100	40283-185-61	QOM100VH	N/A
QO20M100	G1	QOC20U100F/S	-	QON20M100	40283-185-61	QOM100VH	N/A
QO20M100RB	G1	40548-022-06	40545-075-01	QON20M100	40283-185-61	QOM100VH	N/A
QO24M100	G1	QOC24UF/S	-	QON24M100	40283-185-61	QOM100VH	N/A
QO24M125	G1	QOC24UF/S	-	QON24M125	40283-185-61	QOM125VH	N/A
QO24M125RB	G1	40548-022-06	40545-075-01	QON24M125	40283-185-61	QOM125VH	N/A
QO20-30M150	G1	QOC20UF/S	-	QON20-30M150	40283-404-50	QOM2150VH	N/A
QO20-30M150RB	G2	40548-022-04	40545-077-01	QON20-30M150	40283-404-50	QOM2150VH	N/A
QO20-30M150TF	G1	40545-136-50	-	QON20-30M150	40283-404-50	QOM2150VH	N/A
QO20-30M150TS	G1	40545-137-50	-	QON20-30M150	40283-404-50	QOM2150VH	N/A
QO24M150	G1	QOC30UF/S	-	QON24M150	40283-404-50	QOM2150VH	N/A
QO30M150	G1	QOC30UF/S	-	QON30M150	40283-404-50	QOM2150VH	N/A
QO30M150RB	G1	40548-022-04	40545-077-01	QON30M150	40283-404-50	QOM2150VH	N/A
QO20-40M200	G1	QOC20UF/S	-	QON20-40M200	40283-404-50	QOM2200VH	N/A
QO20-40M200RB	G2	40548-022-04	40545-077-01	QON20-40M200	40283-404-50	QOM2200VH	N/A
QO20-40M200TF	G1	40545-142-50	-	QON20-40M200	40283-404-50	QOM2200VH	N/A
QO20-40M200TS	G1	40545-142-50	-	QON20-40M200	40283-404-50	QOM2200VH	N/A
QO24M200	G1	QOC30UF/S	-	QON24M200	40283-404-50	QOM2200VH	N/A
QO30M200	G1	QOC30UF/S	-	QON30M200	40283-404-50	QOM2200VH	N/A
QO30M200RB	G1	40548-022-04	40545-077-01	QON30M200	40283-404-50	QOM2200VH	N/A
QO30-40M200	G1	QOC30UF/S	-	QON30-40M200	40283-404-50	QOM2200VH	N/A
QO40M200	G1	QOC40UF/S	-	QON40M200	40283-285-50	QOM2200VH	N/A
QO40M200RB	G2	40548-022-05	40545-079-01	QON40M200	40283-285-50	QOM2200VH	N/A
QO40M225	G1	QOC42UF/S	-	QON40M225	40283-285-50	QOM225VH	N/A

### Single Phase – Fixed Main Breaker, Series 1, G1, and G2

Illustration Code		A	B	C	D	E	F
Catalog Number	Series	Cover or RB Door	Interior Trim	Interior Assembly	Neutral Bonding Hardware	Main Breaker	Neutral Assembly
QO4-7FM70TTS	G2	136442	-	40505-849-50	-	1-pole QO breaker	N/A
QO6-12M125FTRB	G2	40548-022-02	40545-278-02	40545-272-62	40283-185-61	QOM125VH	N/A
QO8-16M150FTRB	G1	40548-022-04	40504-964-01	40505-765-50	N/A	N/A	N/A
QO8-16M200FTRB	G1	40548-022-04	40504-964-01	40505-766-50	N/A	N/A	N/A
QON42MS300	1	MHC68VF/S	-	QON42MS300	80110-605-01	LAL26300	N/A
QON42MS400	1	MHC68VF/S	-	QON42MS400	80110-605-01	LAL26400	N/A

Indoor cover mounting screw (.75") 40205-130-02

Indoor cover door hinge 40545-092-01

Indoor cover door latch:

Latch 40545-087-01

Latch spring 40545-088-01

RB trim mounting screw (.50") 40205-130-01

RB door mounting screws 21427-171-61

N/A - not available

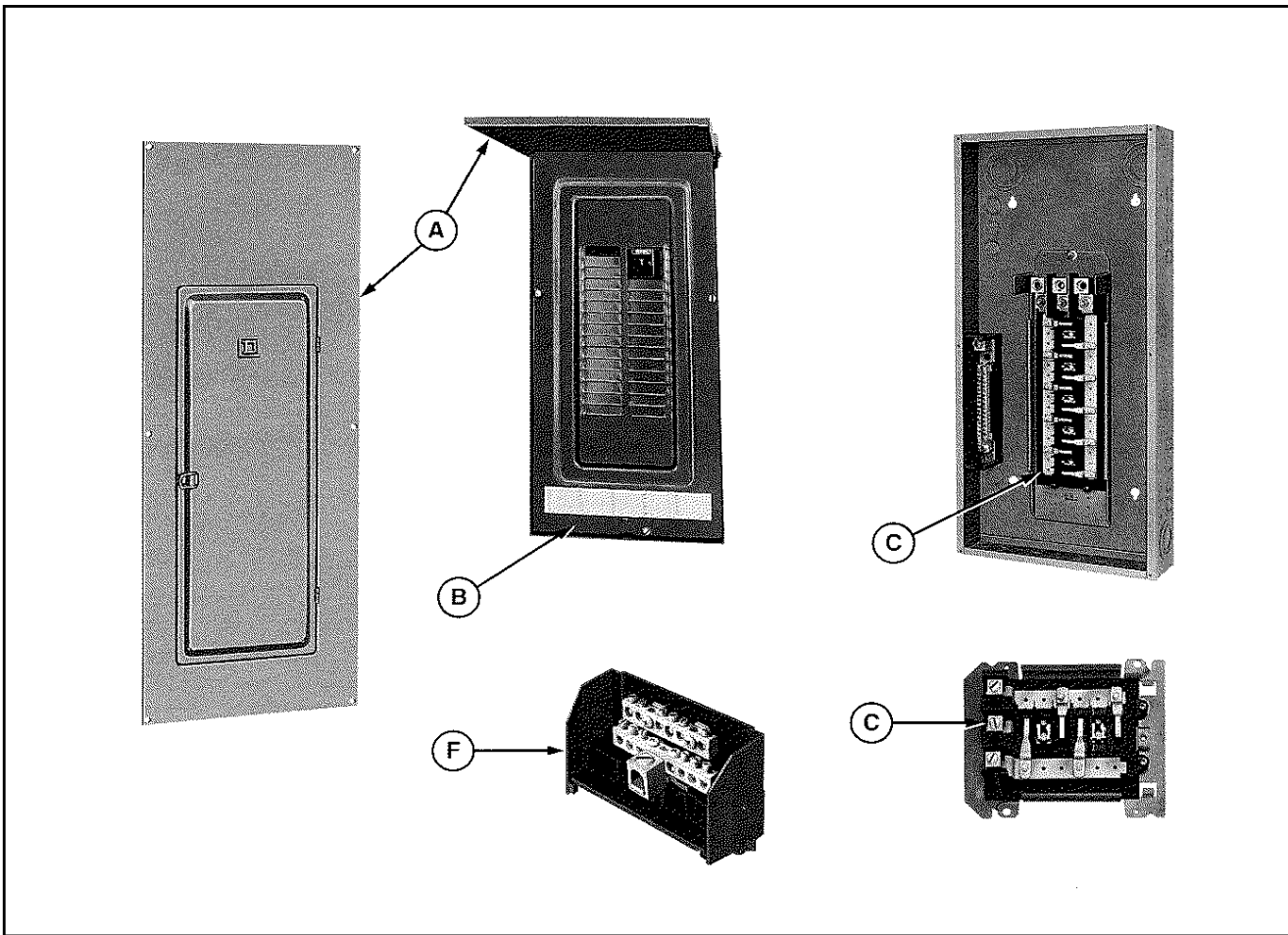
Replacement boxes are not available.



**DANGER:** Hazard of electrical shock or burn. TURN OFF POWER supplying equipment before working inside. Replace all parts and close covers before energizing. Failure to follow these precautions can result in death or personal injury.

# QO Load Centers

## Three Phase – Fixed Main Lugs



### Three Phase – Fixed Main Lugs, Series 1 and G1

Illustration Code		A	B	C	D	E	F
Catalog Number	Series	Cover or RB Door	Interior Trim	Interior Assembly	Neutral Bonding Hardware	Main Lugs	Neutral Assembly
QO403L60NF	1	40515-594-02	-	40515-619-50	40283-185-67	N/A	N/A
QO403L60NRB	1	40515-599-01	40515-600-01	40515-619-50	40283-185-67	N/A	N/A
QO403L60NS	1	40515-596-02	-	40515-619-50	40283-185-67	N/A	N/A
QO412L125	G1	QOC412L125F/S	-	QON412L125	40283-304-50	40251-094-50	SN12125
QO412L125RB	G1	40548-022-02	40504-882-01	QON412L125	40283-304-50	40251-094-50	SN12125
QO420L125	G1	QOC420LF/S	-	QON420L125	40283-304-50	40251-094-50	SN20
QO420L125RB	G1	40548-022-06	40504-883-01	QON420L125	40283-304-50	40251-094-50	SN20
QO412L200	G1	QOC412LF/S	-	QON412L200	40283-304-50	40251-162-50	SN12200
QO412L200RB	G1	40548-022-06	40504-844-01	QON412L200	40283-304-50	40251-162-50	SN12200
QO430L200	G1	QOC430LF/S	-	QON430L200	40283-185-54	40251-162-50	SN30
QO430L200RB	G1	40548-022-04	40504-885-01	QON430L200	40283-185-54	40251-162-50	SN30
QO442L225	G1	QOC442LF/S	-	QON442L225	-	40251-162-50	SN42
QO442L225RB	G1	40548-022-07	40504-886-01	QON442L225	-	40251-162-50	SN42
QON442LS400	1	MHC53VF/S	-	QON442LS400	80110-605-01	N/A	N/A

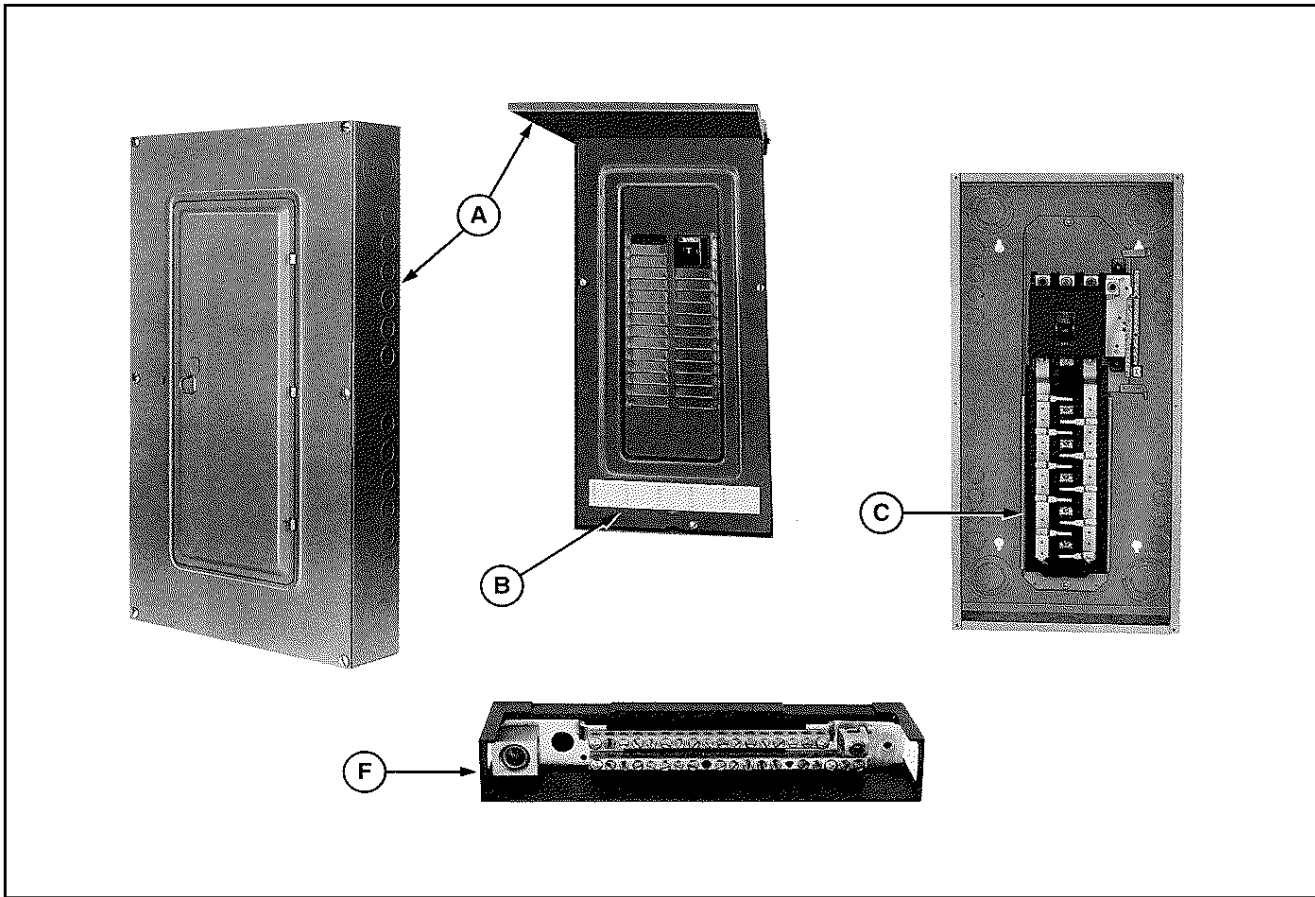
Indoor cover mounting screw (.75") 40205-130-02  
 Indoor cover door hinge 173132  
 Indoor cover door latch:  
 Latch ring 186012  
 Latch spring 163471

RB trim mounting screw (.50") 40205-130-01  
 RB door mounting screws 21427-171-61  
 N/A - not available  
 Replacement boxes are not available.  
 Interior Assembly provided with main lugs.



**DANGER:** Hazard of electrical shock or burn. TURN OFF POWER supplying equipment before working inside. Replace all parts and close covers before energizing. Failure to follow these precautions can result in death or personal injury.

## QO Load Centers Three Phase – Fixed Main Breaker



### Three Phase – Fixed Main Breaker, Series 1 and G1

Illustration Code		A	B	C	D	E	F
Catalog Number	Series	Cover or RB Door	Interior Trim	Interior Assembly	Neutral Bonding Hardware	Main Breaker	Neutral Assembly
QO427M100	G1	QOC430LF/S	-	40505-713-53	40283-185-54	QO3100VH	SN30
QO427M100RB	G1	40548-022-04	40504-885-01	40505-713-53	40283-185-54	N/A	SN30
QO430M125	G1	QOC430MF/S	-	40505-714-51	40283-185-67	N/A	N/A
QO430M125RB	G1	40548-022-07	40505-703-01	40505-714-51	40283-185-67	N/A	N/A
QO430M150	G1	QOC430MF/S	-	40505-715-51	40283-185-67	N/A	N/A
QO430M150RB	G1	40548-022-07	40505-703-01	40505-715-51	40283-185-67	N/A	N/A
QO440M150	G1	QOC440MF/S	-	40505-729-52	40283-185-67	N/A	N/A
QO430M200	G1	QOC430MF/S	-	40505-716-51	40283-185-67	N/A	N/A
QO430M200RB	G1	40548-022-07	40505-703-01	40505-716-51	40283-185-67	N/A	N/A
QO440M200	G1	QOC440MF/S	-	40505-730-52	40283-185-67	N/A	N/A
QO440M200RB	G1	40548-022-05	40505-704-01	40504-730-52	40283-185-67	N/A	N/A
QO440M225	G1	QOC440MF/S	-	40505-731-52	40283-185-68	N/A	N/A
QO440M225RB	G1	40548-022-05	40505-704-01	40505-731-52	40283-185-68	N/A	N/A
QON442MS300	1	MHC68VF/S	-	QON442MS300	80110-605-01	LAL36300	N/A
QON442MS400	1	MHC68VF/S	-	QON442MS400	80110-605-01	LAL36400	N/A

Indoor cover mounting screw (.75") 40205-130-02  
 Indoor cover door hinge 173132  
 Indoor cover door latch:  
 Latch ring 186012  
 Latch spring 163471

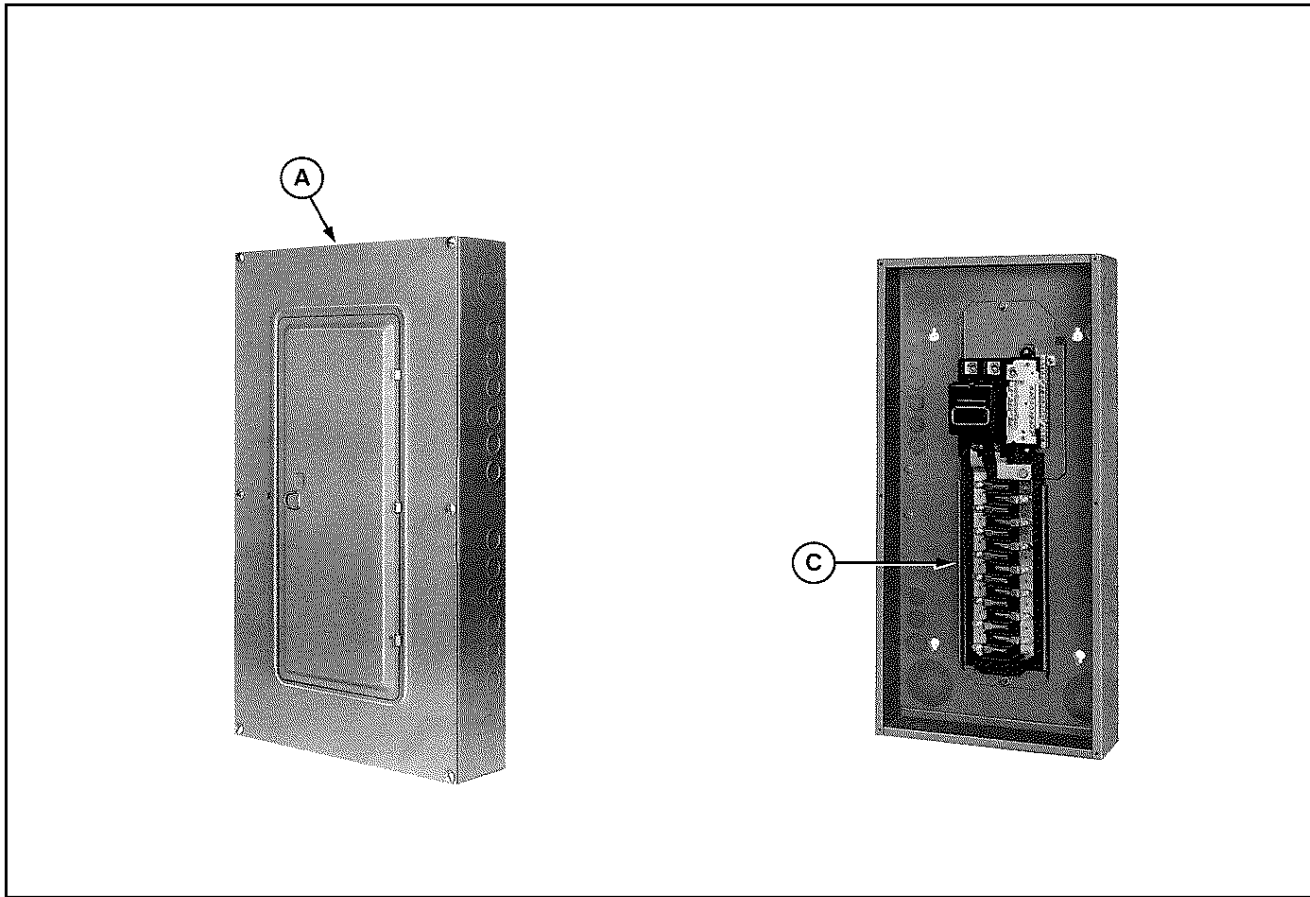
RB trim mounting screw (.50") 40205-130-01  
 RB door mounting screws 21427-171-61  
 N/A - not available  
 Replacement boxes are not available.



**DANGER:** Hazard of electrical shock or burn. TURN OFF POWER supplying equipment before working inside. Replace all parts and close covers before energizing. Failure to follow these precautions can result in death or personal injury.

# QO Load Centers

## Single Phase, Three Phase – Fusible Main Pullout



### Single Phase, Three Phase – Fusible Main Pullout, Series G1

Illustration Code		A	B	C	D	E	F
Catalog Number	Series	Cover or RB Door	Interior Trim	Interior Assembly	Neutral Bonding Hardware	Main Pullout	Neutral Assembly
QO20MP100	G1	QOC20MP100F/S	-	40505-698-50	40283-185-67	40507-049-50	N/A
QO40MP200	G1	QOC40MP200F/S	-	40505-507-50	40283-185-67	40507-038-50	N/A
QO430MPB200	G1	QOC430MPB200F/S	-	40505-818-50	40283-185-67	40505-825-50	N/A

Indoor cover mounting screw (.75") 40205-130-02  
 Indoor cover door hinge 173132-100A, 173150-200A  
 Indoor cover door latch:  
 Latch ring 40553-073-01  
 Latch spring 40553-072-01

RB trim mounting screw (.50") 40205-130-01  
 RB door mounting screws 21427-171-61  
 N/A - not available  
 Replacement boxes are not available.



**DANGER:** Hazard of electrical shock or burn. TURN OFF POWER supplying equipment before working inside. Replace all parts and close covers before energizing. Failure to follow these precautions can result in death or personal injury.

