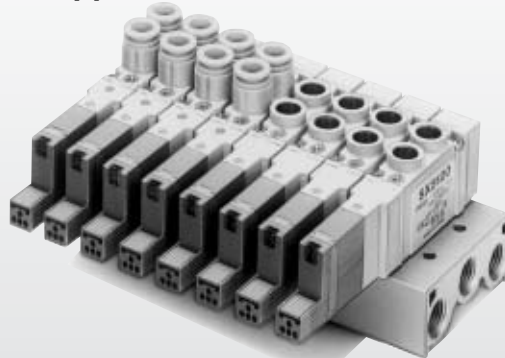


5 Port Solenoid Valve Rubber Seal Series SX

Pilot valves are concentrated on one-side, realizing wiring into a bundle and unencumbered appearance, too.



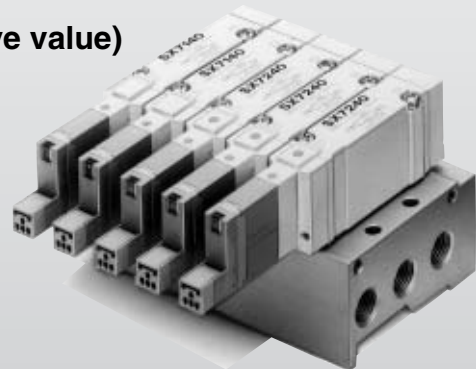
Low power consumption: 0.6 W
(Current draw: 25 mA at 24 VDC)

Compact design with large flow

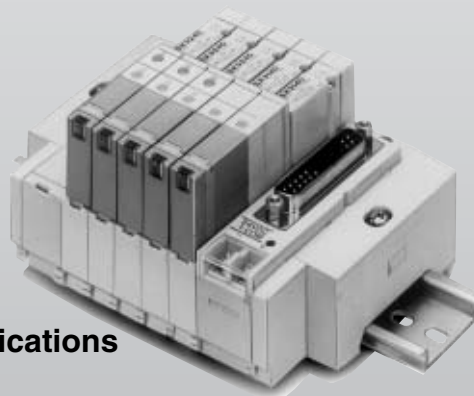
Body width [mm]	Sonic conductance: C [dm ³ /(s·bar)]
10	1.1
15	2.8
18	4.5

Response time 10 ms (Representative value)
(SX3000 double, 0.5 MPa, 20°C)

High reliability and long service life exceeding 50 million cycles or more
(The valve may differ from a life under actual operating conditions. It is derived from our life test data.)



Suitable for copper-free applications



Improved drainage resistance

No exhaust mist, no exhaust noise of pilot valve

<Common exhaust type for main and pilot valve>

Bright color tone and state of the art design

The fittings of the cylinder ports can be changed simply for the modification of the port size or for replacement.

<Body ported>

	Replaceable port size		
	C4	C6	M5
SX3000	C4	C6	M5
SX5000	C4, C6	C8	Rc1/8
SX7000	C8	C10	Rc1/4

Indicator light and manual override are concentrated.

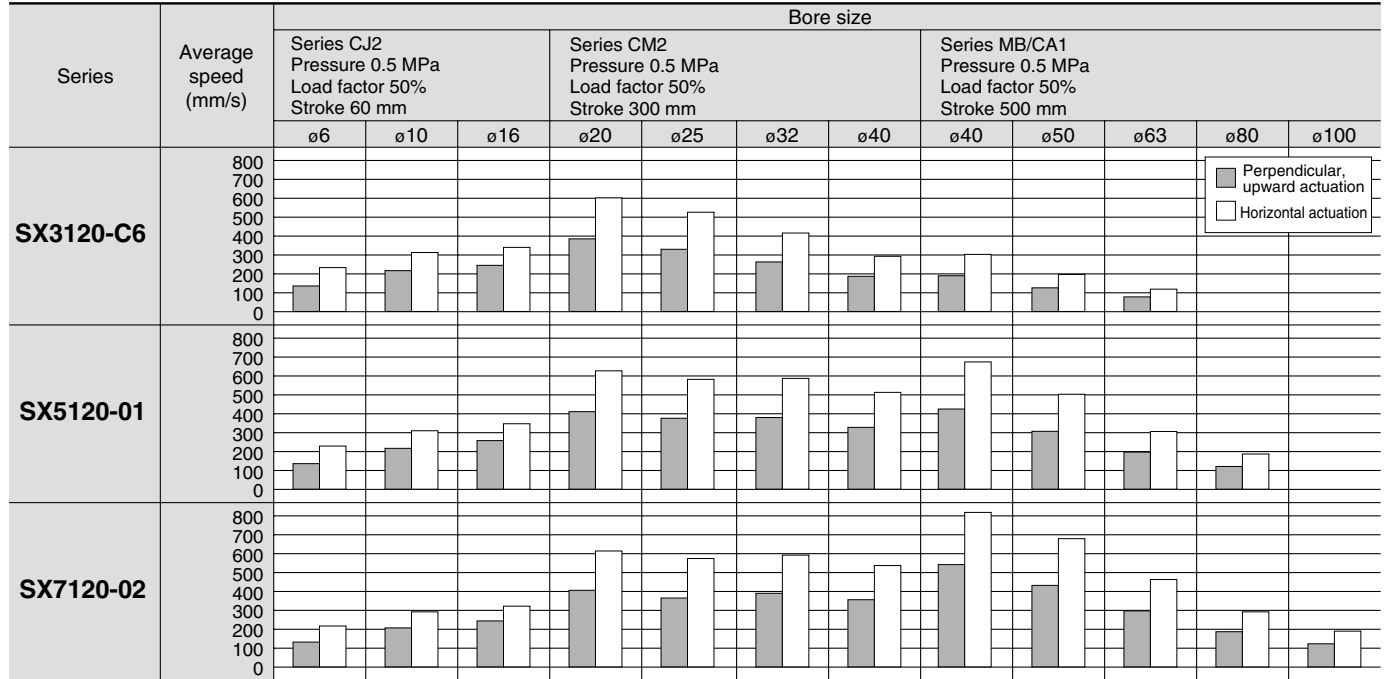
Same manifold base as Series SY

The characteristic values shown in the catalog are representative values, not warranting the performance.

Cylinder Speed Chart

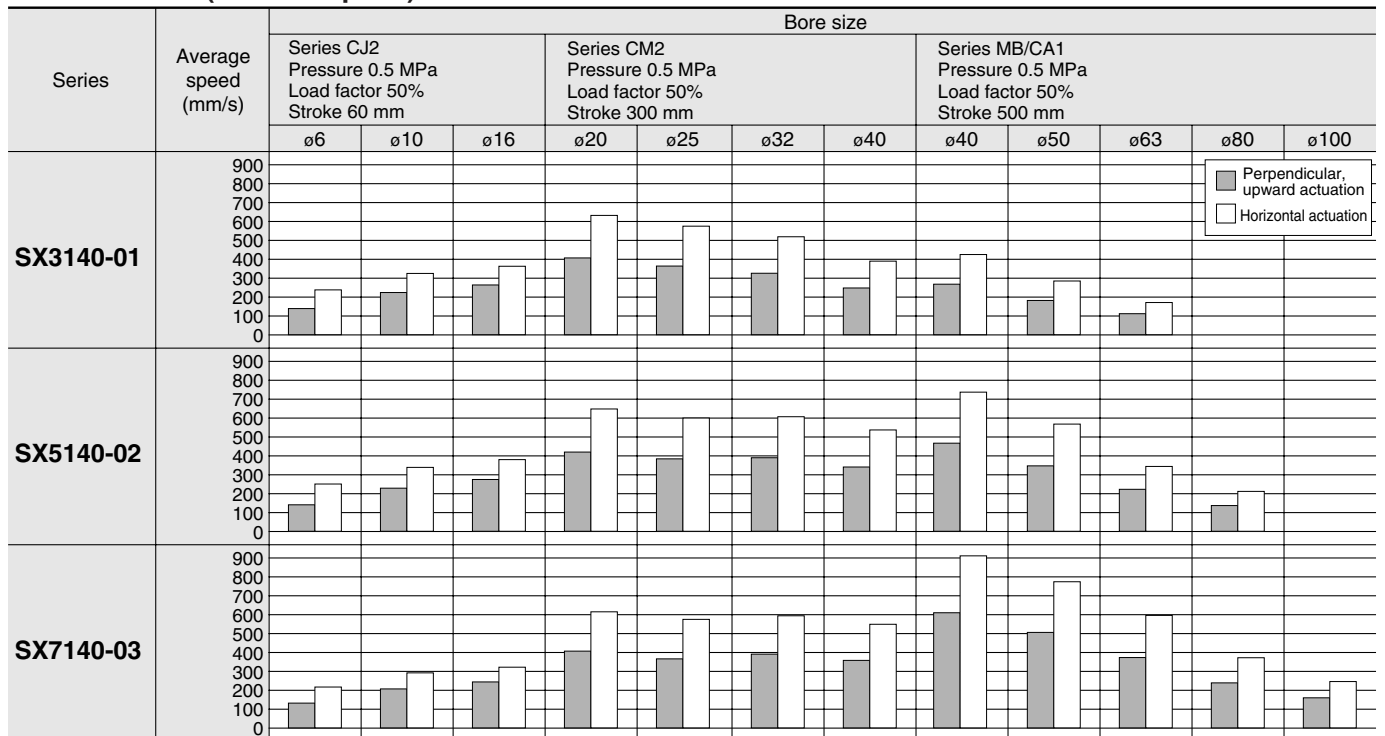
Use as a guide for selection.
Please confirm the actual conditions with SMC Sizing Program.

Body Ported



- * It is when the cylinder is extending that is meter-out controlled by speed controller which is directly connected with cylinder, and its needle valve with being fully open.
- * The average velocity of the cylinder is what the stroke is divided by the total stroke time.
- * Load factor: ((Load weight x 9.8)/Theoretical force) x 100%

Base Mounted (With sub-plate)



- * It is when the cylinder is extending that is meter-out controlled by speed controller which is directly connected with cylinder, and its needle valve with being fully open.
- * The average velocity of the cylinder is what the stroke is divided by the total stroke time.
- * Load factor: ((Load weight x 9.8)/Theoretical force) x 100%

Cylinder Speed Chart

Conditions

Body ported		Series CJ2	Series CM2	Series MB
SX3120-C6	Tube x Length	T0604 x 1 m		
	Speed controller	AS2051F-06		
	Silencer	AN120-M5		
SX5120-01	Tube x Length	T0604 x 1 m	T0806 x 1 m	
	Speed controller	AS3001F-06	AS3001F-08	
	Silencer	AN101-01		
SX7120-02	Tube x Length	T0604 x 1 m	T1075 x 1 m	
	Speed controller	AS3001F-06	AS4001F-10	
	Silencer	AN110-01		

Conditions

Base mounted		Series CJ2	Series CM2	Series MB
SX3140-01	Tube x Length	T0604 x 1 m		
	Speed controller	AS3001F-06		
	Silencer	AN110-01		
SX5140-02	Tube x Length	T0604 x 1 m	T0806 x 1 m	
	Speed controller	AS3001F-06	AS3001F-08	
	Silencer	AN101-01		
SX7140-03	Tube x Length	T0604 x 1 m	T1075 x 1 m	T1209 x 1 m
	Speed controller	AS3001F-06	AS4001F-10	
	Silencer	AS200-02		

Conditions [When using SGP (Steel pipe)]

Base mounted		Series MB	Series CS1
SX7140-03	Tube x Length	SGP10A x 1 m	
	Speed controller	AS420-03	
	Silencer	AN300-03	

SV

SZ

SY

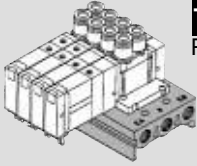
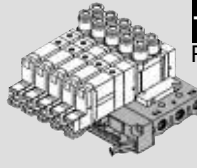
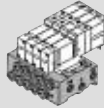

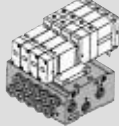
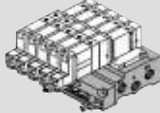
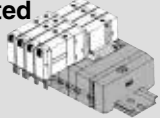
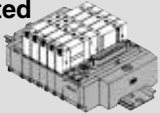
SYJ

SX

Courtesy of Steven Engineering, Inc.-230 Ryan Way, South San Francisco, CA 94080-6370-Main Office: (650) 588-9200-Outside Local Area: (800) 255-9200-www.stevenengineering.com



Manifold Variations

Manifold variations	Valve series	Wiring										
		Connection							Common specifications			
		Individual wiring	Flat ribbon cable (26 pins)	Plug-in type D-sub connector (25 pins)	Plug-in type Flat ribbon cable (26, 20, 10 pins)	Plug-in type Terminal block (9, 18 pins)	Serial transmission unit	Common connector	Positive common	Negative common		
Body Ported	Bar stock type Individual wiring ■ Direct piping to the main unit of a valve. Combinations of different fittings are possible. 	Type 20 P. 1-6-42	SX3□20									
			SX5□20	●	—	—	—	—	—	●	—	—
			SX7□20									
	Bar stock type Flat ribbon cable ■ A 26 pins MIL connector permits one-hand wiring of external cables in a bundle. 	Type 20^P_N P. 1-6-48	SX3□20									
			SX5□20	—	●	—	—	—	—	—	●	●
			SX7□20									
Base Mounted	Compact bar stock type Individual wiring ■ The base mounting facilitates maintenance after valves are changed. 	Type 41 P. 1-6-54	SX3□40	●	—	—	—	—	—	●	—	—
			SX5□40									
	Compact bar stock type Flat cable ■ A 26 pins MIL connector permits one-touch wiring of external cables in a bundle. 	Type 41^P_N P. 1-6-64	SX3□40	—	●	—	—	—	—	—	●	●
			SX5□40									
	Bar stock type/Common External EXH Individual wiring ■ The base mounting facilitates maintenance after valves are changed. ■ Vacuum-low pressure combination system is possible. 	Type 42 P. 1-6-54	SX3□40									
			SX5□40	●	—	—	—	—	—	●	—	—
			SX7□40									
	Bar stock type/Common External EXH Flat ribbon cable ■ Flat ribbon cable permits one-hand wiring of external cables in a bundle. ■ Vacuum-low pressure combination system is possible. 	Type 42^P_N P. 1-6-64	SX3□40									
			SX5□40	—	●	—	—	—	—	—	●	●
			SX7□40									
	Stacking type/DIN rail mounted Individual wiring ■ Stations can be increased on the DIN rail. Integral mounting of other electric parts is possible, too. 	Type 45 P. 1-6-74	SX3□40	●	—	—	—	—	—	●	—	—
			SX5□40									
Stacking type/DIN rail mounted Plug-in ■ Stations can be increased on the DIN rail. ■ A wide variety of centralized wiring methods is available. 	Type 45 P. 1-6-82	SX3□40	—	—	●	●	●	●	—	●	●	
		SX5□40										

● Standard ● Option ▲ Made-to-order

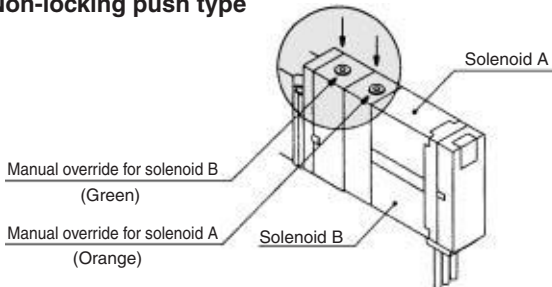
⚠ Precautions

Be sure to read before handling. For Safety Instructions and Solenoid Valve Precautions, refer to page 1-7-2.

Manual Override Operation

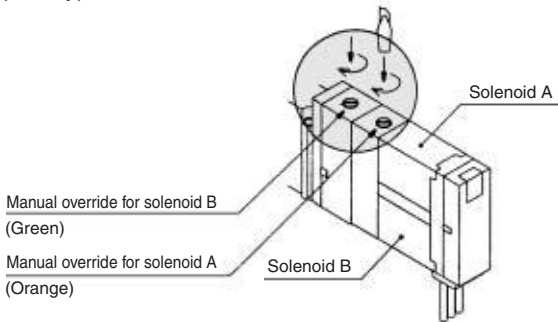
⚠ Warning

■ Non-locking push type



■ Push-turn locking slotted type (Type D)

After pushing down, turn in the direction of the arrow. If you do not turn, the mechanism is the same as that of a non-locking push type.



⚠ Caution

When locking the manual override on the push-turn locking slotted type, be sure to push it down before turning. Turning without first pushing it down can cause damage to the manual override and other trouble such as air leakage, etc.

⚠ Caution

When operating the lock with the driver, use a watchmakers' screwdriver and turn lightly. [Torque: 0.1 N·m or less]

Exhaust Restriction

⚠ Caution

Since Series SX has a mechanism that the exhausted air from pilot valve is gathered with the exhaust of the main valve inside, make sure that the exhaust port is not restricted.

Usage of SX3000/5000/7000 as a 3 Way Valve

⚠ Caution

In the case of using a 5 port valve

Series SX3000, 5000, 7000 may be used as and N.C. or N.O. 3 way valve by plugging one of the A, B ports. Be sure not to plug the exhaust ports. Can be used when a double solenoid, 3 way valve is required.

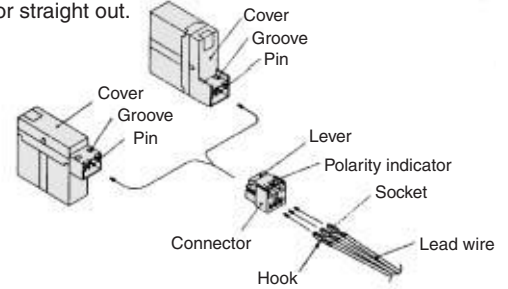
Plug position	B port		A port		
	N.C		N.O		
Number of solenoids	Single				
		Double			

How to Use Plug Connector

⚠ Caution

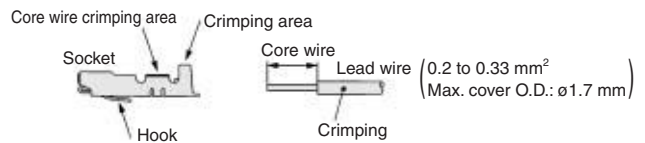
1. Attaching and detaching connectors

- To attach a connector, hold the lever and connector unit between your fingers and insert straight onto the pins of the solenoid valve so that the lever's pawl is pushed into the groove and locks.
- To detach a connector, remove the pawl from the groove by pushing the lever downward with your thumb, and pull the connector straight out.



2. Crimping the lead wire and socket

- Peel 3.2 to 3.7 mm of the tip of lead wire, enter the core wires neatly into a socket and crimp it with a special crimp tool. Be careful so that the cover of lead wire does not enter into the crimping part. (Crimping tool: Model no. DXT170-75-1)



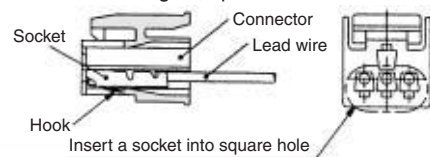
3. Attaching and detaching lead wires with sockets

● Attaching

Insert the sockets into the square holes of the connector (with + and - indication) and, continue to push the sockets all the way in until the lock by hooking into the seats in the connector. (When they are pushed in, their hooks open and they are locked automatically.) Then confirm that they are locked by pulling lightly on the lead wires.

● Detaching

To detach a socket from a connector, pull out the lead wire while pressing the socket's hook with a stick having a thin tip (approx. 1 mm). If the socket is used again, spread the hook outward.



■ Plug connector lead wire lengths

Standard length is 300 mm, but the following lengths are also available.

How to order L/M connector assembly

Positive common specifications

For single solenoid: **SX100-40-4S-**
 For double solenoid: **SX100-40-4D-**
 For 3 position

Negative common specifications

For single solenoid: **SX100-41-4S-**
 For double solenoid: **SX100-41-4D-**
 For 3 position

How to Order

Include the connector assembly part number together with the part number for the plug connector's solenoid valve without connector.

● Lead wire length

Nil	300 mm
6	600 mm
10	1000 mm
15	1500 mm
20	2000 mm
25	2500 mm
30	3000 mm
50	5000 mm

<Example>

Lead wire length 2000 mm
SX3120-5LO-M5
SX100-40-4S-20

Common Connector Assembly for Manifold

⚠ Caution

With the common connector assembly all of the common lead wires are tied together and this reduces wiring time.

Common connector assembly part numbers

Positive common specifications
For single solenoid
SX100-42-4S



For double solenoid, 3 position type
SX100-42-4D



With common lead wire for single solenoid
SX100-40-4S



With common lead wire for double solenoid, 3 position type
SX100-40-4D



(Lead wire length 300 mm)

Negative common specifications
For single solenoid
SX100-43-4S



For double solenoid, 3 position type
SX100-43-4D



With common lead wire for single solenoid
SX100-41-4S



With common lead wire for double solenoid, 3 position type
SX100-41-4D

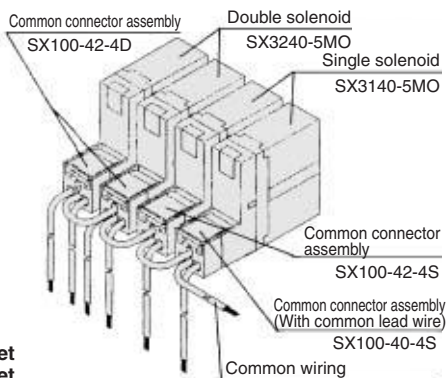


(Lead wire length 300 mm)

How to Order

When ordering a common connector lead wire assembly, indicate the model no. for manifold, solenoid valve and common connector assembly. For more complicated assemblies, refer to the manifold specification sheet.

- Note1) Applications like connectors not wired to a valve or when there is a blank station between valves is not possible.
- Note2) Designate "Without connector" of plug connector style for solenoid valve. Grommet style is not applicable.
- Note3) Connector assembly with lead wire for place where the signals are transmitted to the common wiring. (Only the valves of first station and/or last station of manifold are compatible to connector with lead wire for common.)

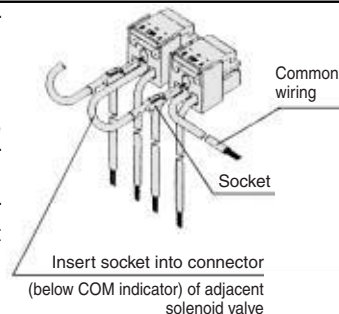


- SS5X3-41-04-C6 1 set
- * SX3140-5MO 2 set
- * SX3240-5MO 2 set
- * SX100-40-4S 1 set (Single solenoid with lead wire for common)
- * SX100-42-4S 1 set (Single solenoid)
- * SX100-42-4D 2 set (Double solenoid, 3 position)

↳ The asterisk denotes the symbol for assembly. Prefix it to the part nos. of the solenoid valve, etc.

Common Connector Assembly Wiring

When only common connector assembly is ordered, wiring should be done as shown in How to Order Common Connector Assembly the illustration to the right. Refer to "How to Use Plug Connector" on page 1-6-8 for further information on socket mounting.



Flat ribbon cable/Connector assembly no. for 20P, 41P, 42P

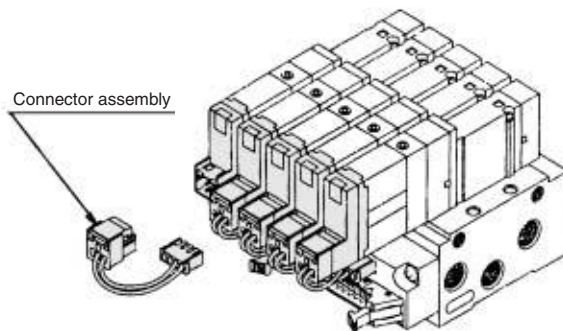
SX3000/5000/7000

● Positive common specifications

For single solenoid: SX3000-23-1A
For double solenoid, 3 position type: SX3000-23-2A

● Negative common specifications

For single solenoid: SX3000-24-1A
For double solenoid, 3 position type: SX3000-24-2A



⚠ Caution

One-touch Fittings

The pitch of each piping port (P, A, B, etc.) for Series SX is based on the assumption that Series KJ One-touch fittings will be used. For this reason, when other fittings are used, they may interfere with one another depending on their types and sizes. Therefore, the dimensions of the fittings to be used should first be confirmed in their respective catalogs.

SV

SZ

SY

SYJ

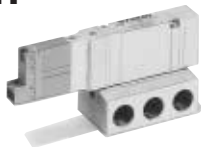
SX

⚠ Precautions

Be sure to read before handling. For Safety Instructions and Solenoid Valve Precautions, refer to page 1-7-2.

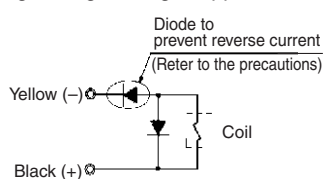
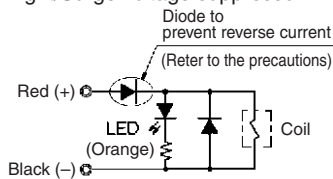
Light/Surge Voltage Suppressor

⚠ Caution



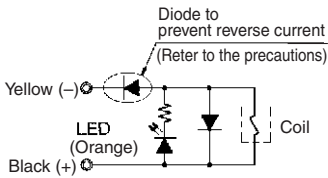
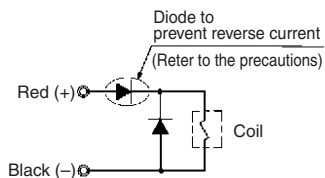
Pos. common specifications
Single solenoid
Light/Surge voltage suppressor

Neg. common specifications
Single solenoid
Light/Surge voltage suppressor



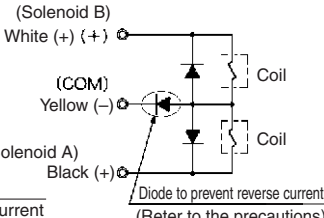
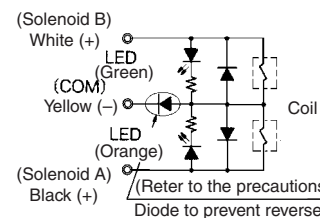
Surge voltage suppressor

Surge voltage suppressor



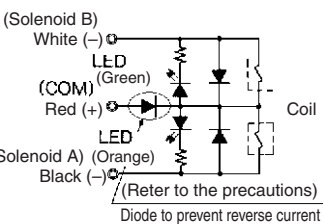
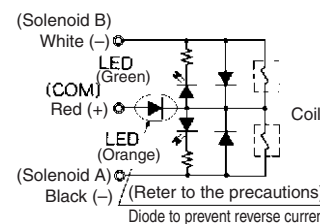
Pos. common specifications
Double solenoid, 3 position type
Light/Surge voltage suppressor

Neg. common specifications
Double solenoid, 3 position type
Light/Surge voltage suppressor



Surge voltage suppressor

Surge voltage suppressor



Connect so that polarity is matched to the connector's (+), (-) and A, B and COM indicators. In the case of voltage specifications other than 12 or 24 VDC, take care to avoid mistaking polarity, as there is no diode to prevent reverse current.

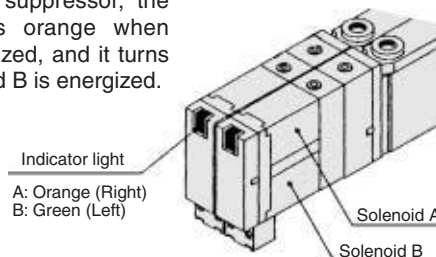
In the event that lead wires are connected in advance, they will be as shown below.

- Pos. common specifications**
- A (-): Black
 - COM (+): Red
 - B (-): White (Without lead wire in case of single solenoid)
- Neg. common specifications**
- A (+): Black
 - COM (-): Yellow
 - B (-): White (Without lead wire in case of single solenoid)

Light Indication

⚠ Caution

When equipped with indicator light and surge voltage suppressor, the light window turns orange when solenoid A is energized, and it turns green when solenoid B is energized.



Fixed DIN Rail Manifold

⚠ Caution

Fixed "45", "45□" DIN rail manifold to the setting side with screws, fix points as follows: 2 to 5 stations: 2 points 6 to 10 stations : 3 points 11 to 15 stations: 4 points 16 to 20 stations: 5 points
If fixed at lesser points than specified and use it, there could be a warp or torsion in the DIN rail and the manifold and lead to bring some troubles such as air leakage.

Solenoid Valve Mounting

⚠ Caution

Mount it so that there is no slippage or deformation in gaskets, and tighten with the tightening torque as shown below.

Model	Thread size	Tightening torque
SX3000	M2	0.17 N·m
SX5000	M3	0.8 N·m
SX7000	M4	1.4 N·m

How to Calculate the Flow Rate

⚠ Caution

For obtaining the flow rate, refer to page 1-1-12.

- SV
- SZ
- SY
- SYJ
- SX**

Courtesy of Steven Engineering, Inc.-230 Ryan Way, South San Francisco, CA 94080-6370-Main Office: (650) 588-9200-Outside Local Area: (800) 255-9200-www.stevenengineering.com

Series SX3000/5000/7000 Body Ported Valve Single Unit

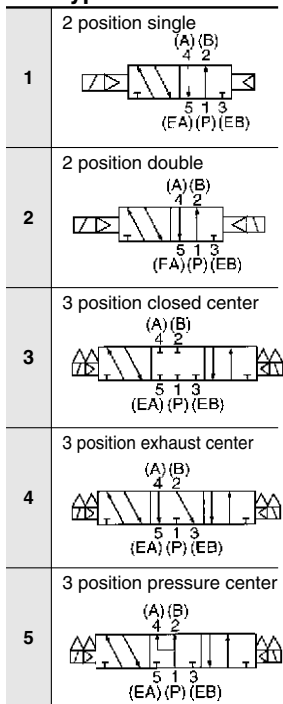
How to Order

SX 5 1 20 — 5 N L — — — 01 — —

● **Series**

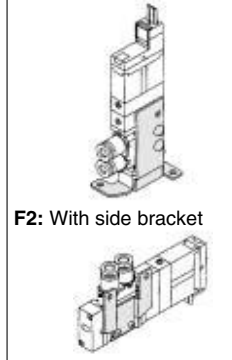
3	SX3000
5	SX5000
7	SX7000

● **Type of actuation**

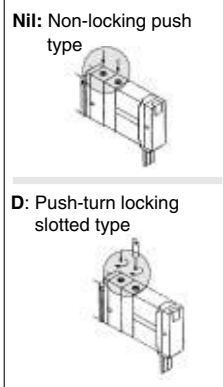


● **Bracket**

Nil: Without bracket
F1: With foot bracket



● **Manual override**



● **Thread type**

Nil	Rc
F	G
N	NPT
T	NPTF

● **A, B port size
Thread piping**

Symbol	Port size	Applicable series
M5	M5 x 0.8	SX3000
01	1/8	SX5000
02	1/4	SX7000

● **One-touch fitting (Metric size)**

Symbol	Port size	Applicable series
C4	One-touch fittings for ø4	SX3000
C6	One-touch fittings for ø6	
C4	One-touch fittings for ø4	SX5000
C6	One-touch fittings for ø6	
C8	One-touch fittings for ø8	SX7000
C8	One-touch fittings for ø8	
C10	One-touch fitting for ø10	

● **One-touch fitting (Inch size)**

Symbol	Port size	Applicable series
N3	One-touch fitting for ø5/32"	SX3000
N7	One-touch fitting for ø1/4"	
N3	One-touch fitting for ø5/32"	SX5000
N7	One-touch fitting for ø1/4"	
N9	One-touch fitting for ø5/16"	SX7000
N9	One-touch fitting for ø5/16"	
N11	One-touch fitting for ø3/8"	

● **Rated voltage**

5	24 VDC
6	12 VDC
V	6 VDC
S	5 VDC
R	3 VDC

● **Light/Surge voltage suppressor**

Nil	Without light/surge voltage suppressor
S	With surge voltage suppressor
Z	With light/surge voltage suppressor

● **Electrical entry**

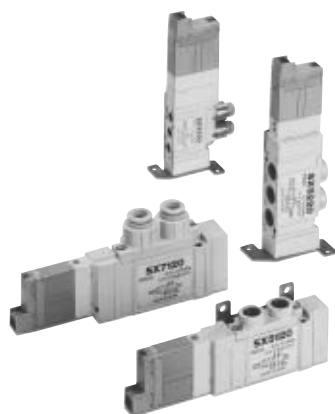
Grommet		L plug connector		M plug connector	
G: Lead wire length 300 mm		L: With lead wire (Length 300 mm)		M: With lead wire (Length 300 mm)	MN: Without lead wire
H: Lead wire length 600 mm		LN: Without lead wire		LO: Without connector	MO: Without connector

* The LN or MN option includes 2 sockets for single solenoid valves and 3 sockets for double solenoid valves.

● **Common specifications**

Nil	Positive common
N	Negative common

Note) Put nothing for single grommet style and single without indicator light and surge voltage suppressor.

Series **SX3000/5000/7000**

Specifications

Series		SX3000	SX5000	SX7000
Fluid		Air		
Internal pilot	2 position single	0.15 to 0.7		
Operating pressure range (MPa)	2 position double	0.1 to 0.7		
	3 position	0.2 to 0.7		
Ambient and fluid temperature (°C)		Max. 50		
Max. operating frequency (Hz)	2 position single, double	10	5	5
	3 position	3	3	3
Manual override		Non-locking push type, Push-turn locking slotted type		
Pilot exhaust method		Common exhaust type for main and pilot valve		
Lubrication		Not required		
Mounting orientation		Unrestricted		
Impact/Vibration resistance (m/s ²) ^{Note}		150/30		
Enclosure		Dusttight		



Note) Impact resistance: No malfunction occurred when it is tested with a drop tester in the axial direction and at the right angles to the main valve and armature in both energized and de-energized states every once for each condition. (Values at the initial period)

Vibration resistance: No malfunction occurred in a one-sweep test between 45 and 2000 Hz. Test was performed at both energized and de-energized states in the axial direction and at the right angles to the main valve and armature. (Values at the initial period)

SV

SZ

SY

SYJ

SX



Made to Order Specifications
(For details, refer to pages
1-6-124 to 1-6-138.)

Solenoid Specifications

Electrical entry	Grommet (G)/(H), L plug connector (L), M plug connector (M)	
Coil rated voltage (V)	DC	24, 12, 6, 5, 3
Allowable voltage fluctuation	±10% of rated voltage	
Power consumption (W)	DC	0.6 (With indicator light: 0.65)
Surge voltage suppressor	Diode	
Indicator light	LED	

Response Time



Note) Based on dynamic performance test, JIS B 8375-1981. (Coil temperature: 20°C, at rated voltage)

SX3000

Type of actuation	Response time (ms) (at the pressure of 0.5 MPa)	
	Without light/surge voltage suppressor	With light/surge voltage suppressor
2 position single	12 or less	15 or less
2 position double	10 or less	13 or less
3 position	15 or less	20 or less

SX5000

Type of actuation	Response time (ms) (at the pressure of 0.5 MPa)	
	Without light/surge voltage suppressor	With light/surge voltage suppressor
2 position single	19 or less	26 or less
2 position double	18 or less	22 or less
3 position	32 or less	38 or less

SX7000


Type of actuation	Response time (ms) (at the pressure of 0.5 MPa)	
	Without light/surge voltage suppressor	With light/surge voltage suppressor
2 position single	31 or less	38 or less
2 position double	27 or less	30 or less
3 position	50 or less	56 or less

Series **SX3000/5000/7000**


Flow Characteristics/Weight

Model/Series **SX3000**

Valve model	Type of actuation		Port size		Flow characteristics						Weight (g)			
					1 → 4/2 (P → A/B)			4/2 → 5/3 (A/B → EA/EB)						
					1, 5, 3 (P, EA, EB)	4, 2 (A, B)	C [dm ³ /(s·bar)]	b	Cv	C [dm ³ /(s·bar)]	b	Cv	Grommet	L plug connector M plug connector
SX3□20-□-M5	2 position	Single	M5 x 0.8	C4 (One-touch fitting for ø4)	0.61	0.44	0.16	0.64	0.45	0.18	62	63		
		Double			0.48	0.46	0.13	0.47	0.43	0.13	70	72		
	3 position	Exhaust center			0.47	0.42	0.13	0.47 [0.44]	0.41 [0.37]	0.13 [0.12]	73	74		
		Pressure center			0.50 [0.41]	0.48 [0.35]	0.15 [0.11]	0.47	0.43	0.13				
SX3□20-□-C4	2 position	Single			M5 x 0.8	C4 (One-touch fitting for ø4)	0.72	0.29	0.18	0.64	0.34	0.17	72	73
		Double					0.59	0.28	0.15	0.59	0.30	0.15	80	81
	3 position	Exhaust center					0.63	0.35	0.16	0.42 [0.41]	0.34 [0.37]	0.11 [0.11]	82	84
		Pressure center					0.76 [0.46]	0.42 [0.34]	0.21 [0.12]	0.59	0.29	0.15		
SX3□20-□-C6	2 position	Single	M5 x 0.8	C4 (One-touch fitting for ø6)			0.76	0.30	0.19	0.65	0.39	0.17	68	69
		Double					0.76	0.55	0.24	0.60	0.33	0.16	76	77
	3 position	Exhaust center					0.65	0.32	0.16	0.64 [0.42]	0.31 [0.36]	0.17 [0.11]	78	80
		Pressure center					0.77 [0.49]	0.34 [0.43]	0.21 [0.15]	0.61	0.34	0.16		

 Note []: Denotes normal position.
Model/Series **SX5000**

Valve model	Type of actuation		Port size		Flow characteristics						Weight (g)			
					1 → 4/2 (P → A/B)			4/2 → 5/3 (A/B → EA/EB)						
					1, 5, 3 (P, EA, EB)	4, 2 (A, B)	C [dm ³ /(s·bar)]	b	Cv	C [dm ³ /(s·bar)]	b	Cv	Grommet	L plug connector M plug connector
SX5□20-□-Ø1	2 position	Single	Rc 1/8	C4 (One-touch fitting for ø4)	1.9	0.35	0.49	2.4	0.39	0.61	75	76		
		Double			1.7	0.43	0.45	1.8	0.35	0.46	83	84		
	3 position	Exhaust center			1.5	0.44	0.41	2.5 [1.5]	0.32 [0.43]	0.59 [0.40]	88	90		
		Pressure center			2.2 [0.91]	0.46 [0.58]	0.61 [0.28]	1.8	0.38	0.46				
SX5□20-□-C4	2 position	Single			Rc 1/4	C4 (One-touch fitting for ø4)	0.75	0.43	0.20	0.85	0.64	0.30	83	84
		Double					0.74	0.40	0.19	0.84	0.57	0.28	91	92
	3 position	Exhaust center					0.75	0.36	0.19	0.84 [0.84]	0.64 [0.53]	0.30 [0.27]	96	97
		Pressure center					0.78 [0.71]	0.44 [0.37]	0.21 [0.18]	0.84	0.57	0.27		
SX5□20-□-C6	2 position	Single	Rc 1/4	C6 (One-touch fitting for ø6)			1.5	0.33	0.33	2.0	0.37	0.52	78	79
		Double					1.3	0.31	0.33	1.6	0.32	0.39	86	87
	3 position	Exhaust center					1.3	0.33	0.33	1.8 [1.4]	0.35 [0.37]	0.44 [0.35]	91	92
		Pressure center					1.7 [0.80]	0.31 [0.47]	0.42 [0.23]	1.7	0.33	0.44		
SX5□20-□-C8	2 position	Single			Rc 1/4	C8 (One-touch fitting for ø8)	1.9	0.21	0.45	2.3	0.29	0.57	79	80
		Double					1.6	0.29	0.39	1.7	0.38	0.46	87	88
	3 position	Exhaust center					1.4	0.38	0.39	2.0 [1.5]	0.37 [0.41]	0.52 [0.43]	92	93
		Pressure center					2.2 [1.6]	0.32 [0.44]	0.56 [0.44]	1.8	0.41	0.50		

 Note []: Denotes normal position.

Model/Series **SX7000**

Valve model	Type of actuation		Port size		Flow characteristics						Weight (g)			
					1 → 4/2 (P → A/B)			4/2 → 5/3 (A/B → EA/EB)						
					1, 5, 3 (P, EA, EB)	4, 2 (A, B)	C [dm ³ /(s·bar)]	b	Cv	C [dm ³ /(s·bar)]	b	Cv	Grommet	L plug connector M plug connector
SX7□20-□-02	2 position	Single	1(P) port Rc 1/4	Rc 1/4	4.1	0.23	0.93	3.3	0.33	0.81	108	109		
		Double			2.9	0.31	0.70	2.4	0.38	0.63	116	117		
	3 position	Exhaust center			2.5	0.39	0.65	3.4 [2.1]	0.35 [0.38]	0.82 [0.54]	125	126		
		Pressure center			4.3 [2.4]	0.23 [0.32]	0.97 [0.61]	2.2	0.39	0.58				
SX7□20-□-C8	2 position	Single			5, 3 (EA, EB) Port Rc 1/8	C8 (One-touch fitting for ø8)	3.2	0.26	0.77	3.2	0.37	0.82	114	116
		Double					2.6	0.24	0.63	2.4	0.31	0.62	122	124
	3 position	Exhaust center					2.4	0.25	0.57	2.6 [1.9]	0.42 [0.46]	0.70 [0.56]	131	132
		Pressure center					3.3 [2.4]	0.28 [0.22]	0.78 [0.57]	2.2	0.34	0.60		
SX7□20-□-C10	2 position	Single	C10 (One-touch fitting for ø10)	C10			3.8	0.26	0.86	3.2	0.34	0.82	110	111
		Double					2.8	0.27	0.67	2.4	0.21	0.59	118	119
	3 position	Exhaust center					2.5	0.25	0.59	2.7 [2.0]	0.38 [0.38]	0.70 [0.56]	126	128
		Pressure center					3.8 [2.4]	0.25 [0.31]	0.89 [0.61]	2.3	0.38	0.61		



Note) []: Denotes normal position.

SV

SZ

SY

SYJ

SX

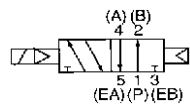
Series SX3000/5000/7000

Construction

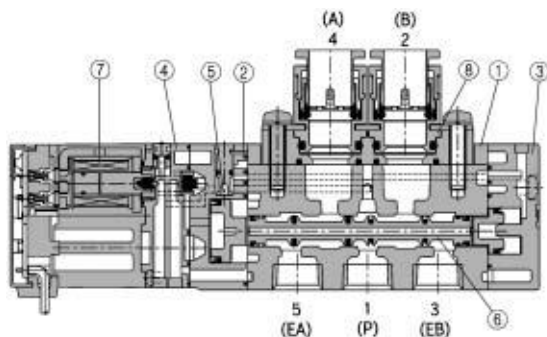
Series SX

JIS Symbol

2 position single

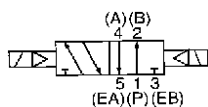


2 position single

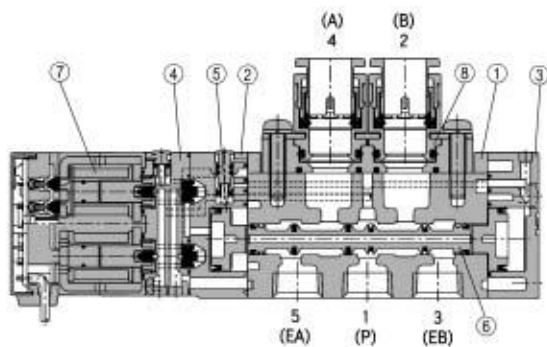


JIS Symbol

2 position double



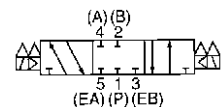
2 position double



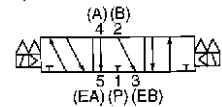
3 position closed center/exhaust center/pressure center

JIS Symbol

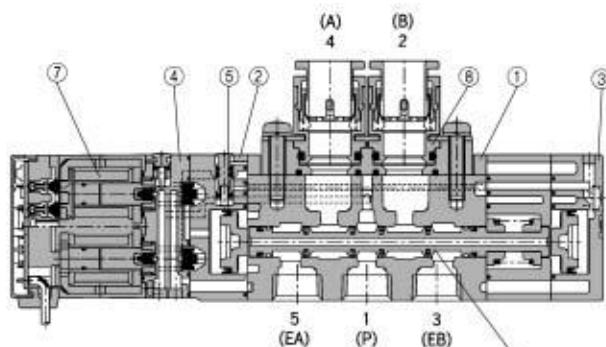
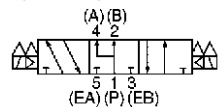
3 position closed center



3 position exhaust center



3 position pressure center



(This figure shows a closed center type.)

Component Parts

No.	Description	Material	Note
①	Body	Aluminum die-casted (SX3000: Zinc die-casted)	White
②	Adapter plate	Resin	White
③	End plate	Resin	White
④	Pilot body	Resin	White
⑤	Piston	Resin	—
⑥	Spool valve assembly	Aluminum, HNBR	—
⑦	Molded coil	Resin	Gray

Replacement Parts

No.	Description	Part no.
⑧	Port block assembly	See "How to Order Port Block Assembly" on page 1-6-7.

How to Order Connector Assembly for L/M Plug Connector

Positive common specifications

For single solenoid: **SX100-40-4S**

For double solenoid, 3 position: **SX100-40-4D**

Negative common specifications

For single solenoid: **SX100-41-4S**

For double solenoid, 3 position: **SX100-41-4D**

Lead wire length

Nil	300 mm
6	600 mm
10	1000 mm
15	1500 mm
20	2000 mm
25	2500 mm
30	3000 mm
50	5000 mm

For detailed information on connector assembly, refer to page 1-6-8.

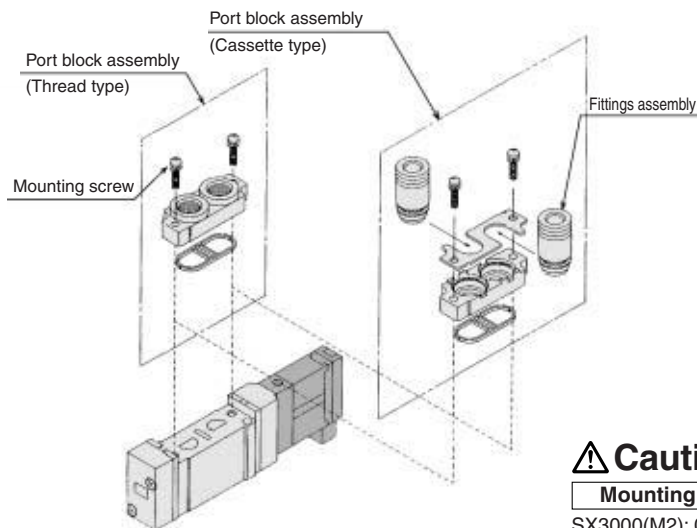
Bracket Assembly No.

Description	Part no.
Bracket (For F1)	SX ₇₀₀₀ 000-16-1A (With mounting screw)
Bracket (For F2)	SX ₇₀₀₀ 000-16-2A (With mounting screw)

How to Change Port Block Assembly

The cylinder port block assembly can easily be changed. When changing block assembly, correct screw torque must be achieved. Cut off the air supply to confirm that no air is left in the manifold before starting operation. Remaining air or inappropriate installation may cause an accident.

● **For SX5000**



Caution

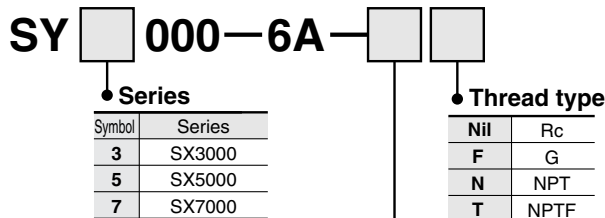
Mounting screw tightening torques
 SX3000(M2): 0.17 N·m SX⁵000(M3): 0.8 N·m



* Refer to "How to Order Port Block Assembly" below for parts no.

- SV
- SZ
- SY
- SYJ
- SX

How to Order Port Block Assembly



A, B port size
Thread piping

Symbol	Port size	Applicable series
M5	M5 x 0.8	SX3000
01	1/8"	SX5000
02	1/4"	SX7000

One-touch fitting (Metric size)

Symbol	Port size	Applicable series
C4	One-touch fitting for ø4	SX3000
C6	One-touch fitting for ø6	
C4	One-touch fitting for ø4	SX5000
C6	One-touch fitting for ø6	
C8	One-touch fitting for ø8	SX7000
C8	One-touch fitting for ø8	
C10	One-touch fitting for ø10	

One-touch fitting (Inch size)

Symbol	Port size	Applicable series
N3	One-touch fitting for ø5/32"	SX3000
N7	One-touch fitting for ø1/4"	
N3	One-touch fitting for ø5/32"	SX5000
N7	One-touch fitting for ø1/4"	
N9	One-touch fitting for ø5/16"	SX7000
N9	One-touch fitting for ø5/16"	
N11	One-touch fitting for ø3/8"	

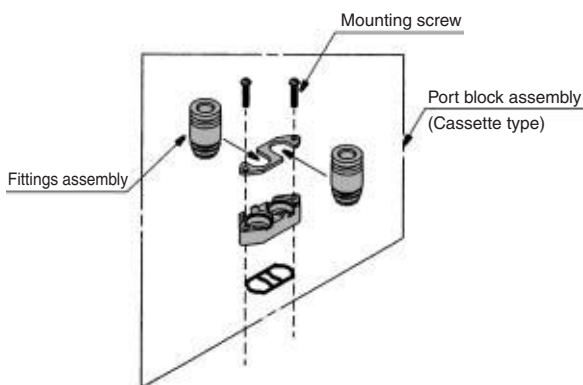
* Only replacement of the fittings assembly is possible.

Metric size

Series	One-touch fitting for ø	Part No.
SX3000	One-touch fitting for ø4	VVQ1000-50A-C4
	One-touch fitting for ø6	VVQ1000-50A-C6
SX5000	One-touch fitting for ø4	VVQ1000-51A-C4
	One-touch fitting for ø6	VVQ1000-51A-C6
	One-touch fitting for ø8	VVQ1000-51A-C8
SX7000	One-touch fitting for ø8	VVQ2000-51A-C8
	One-touch fitting for ø10	VVQ2000-51A-C10

Inch size

Series	One-touch fitting for	Part No.
SX3000	One-touch fitting for ø5/32"	VVQ1000-50A-N3
	One-touch fitting for ø1/4"	VVQ1000-50A-N7
SX5000	One-touch fitting for ø5/32"	VVQ1000-51A-N3
	One-touch fitting for ø1/4"	VVQ1000-50A-N7
	One-touch fitting for ø5/16"	VVQ1000-50A-N9
SX7000	One-touch fitting for ø5/16"	VVQ2000-51A-N9
	One-touch fitting for ø3/8"	VVQ2000-51A-N11

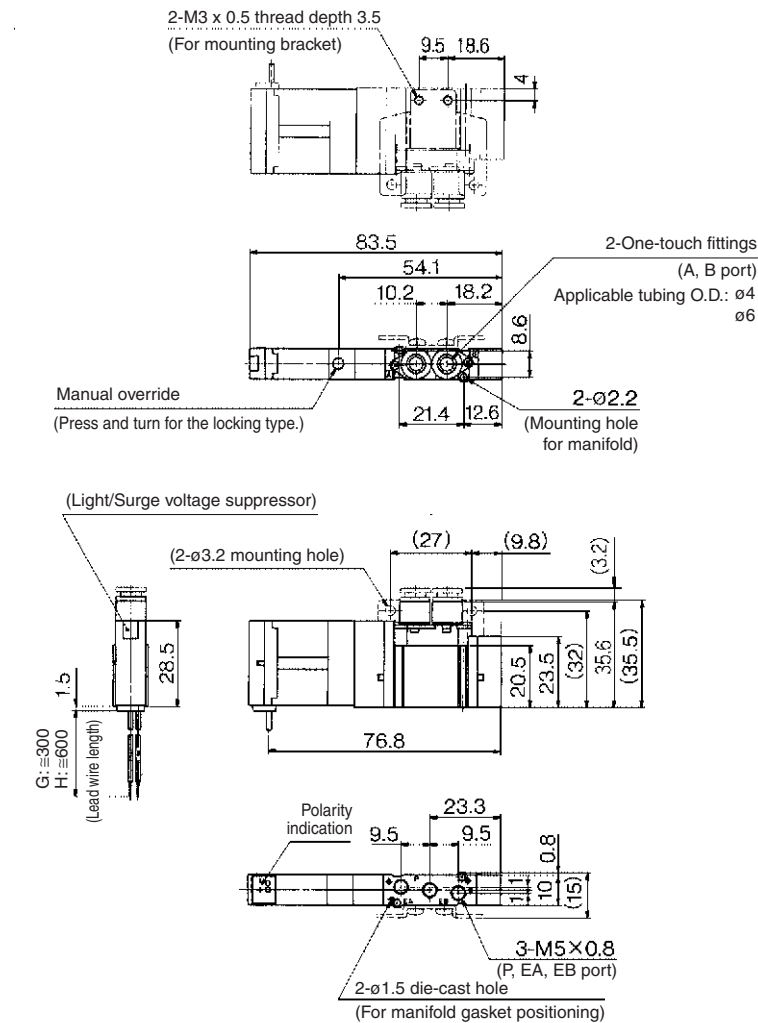


Series **SX3000/5000/7000**

Dimensions: Series SX3000

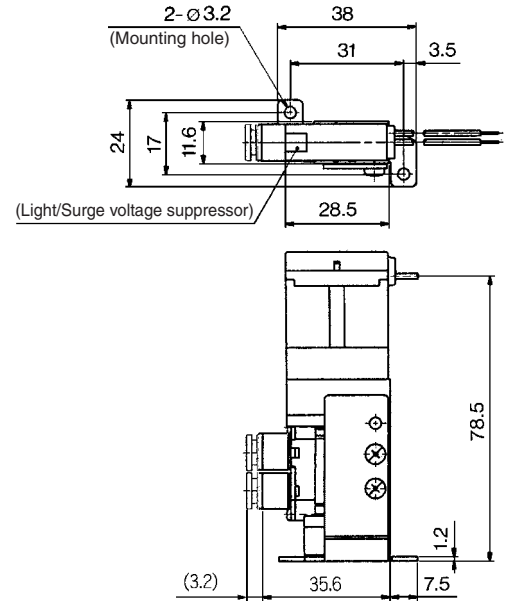
2 position single

Grommet (G), (H): SX3120-□^G□□-C₆^{-C4} (-F2)

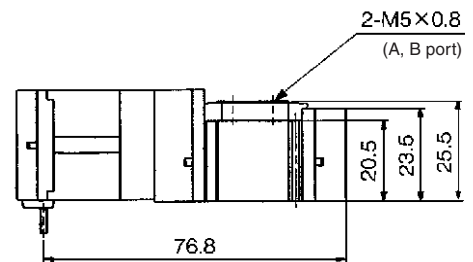


Foot bracket

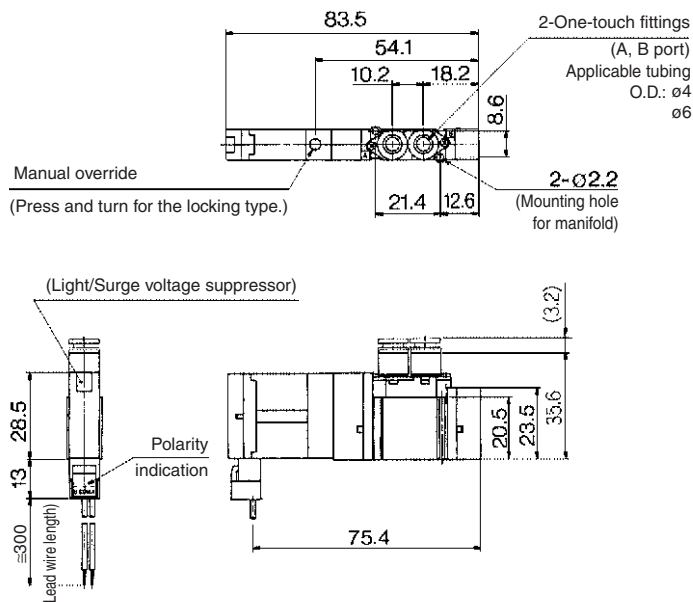
SX3120-□^G□□-C₆^{-C4} -F1



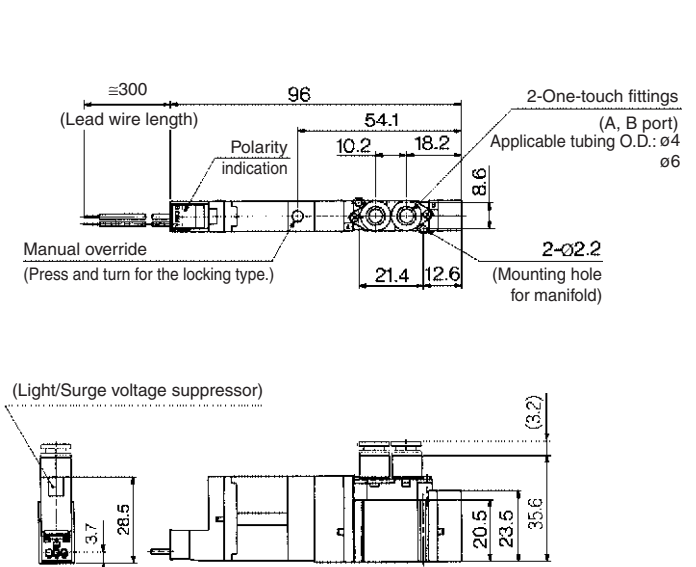
SX3120-□^G□□-M5



L plug connector (L): SX3120-□^L□□-C₆^{-C4}



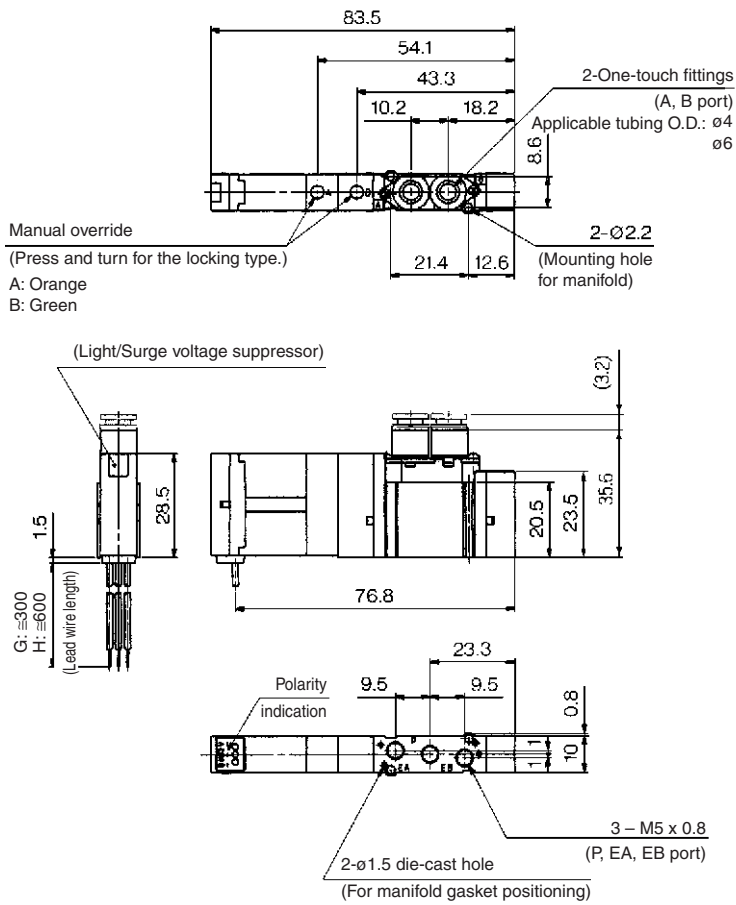
M plug connector (M): SX3120-□^M□□-C₆^{-C4}



Series **SX3000/5000/7000**

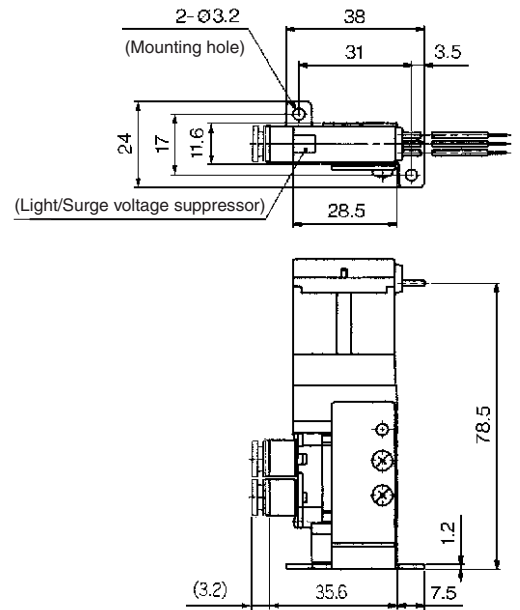
2 position double

Grommet (G), (H): SX3220-□^G□^H□□-C₄C₆



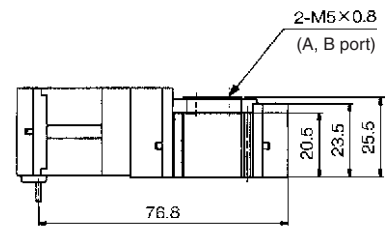
Foot bracket

SX3220-□^G□^H□□-C₄C₆-F1

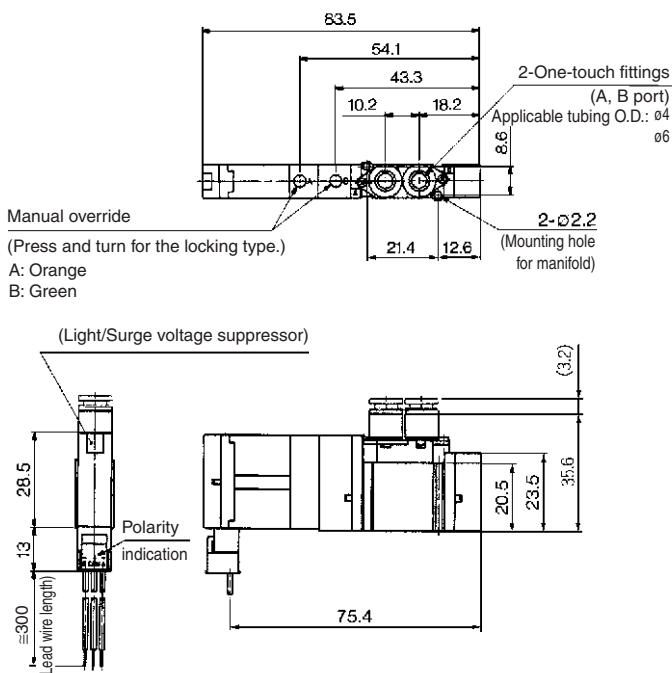


- SV
- SZ
- SY
- SYJ
- SX**

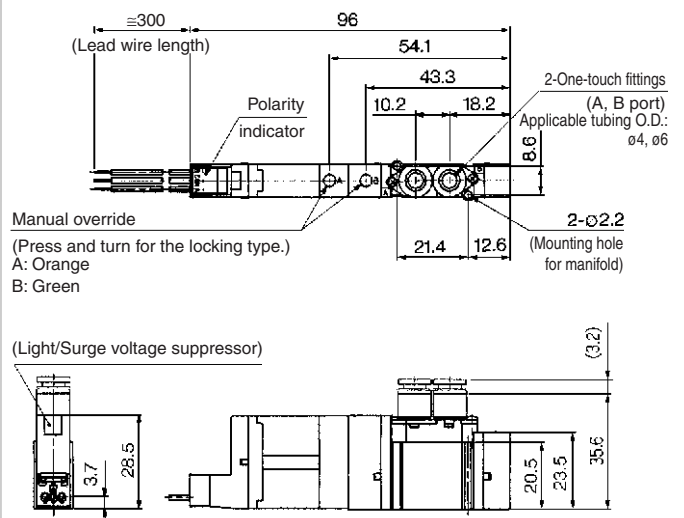
SX3220-□^G□^H□□-M5



L plug connector (L): SX3220-□^L□□□-C₄C₆



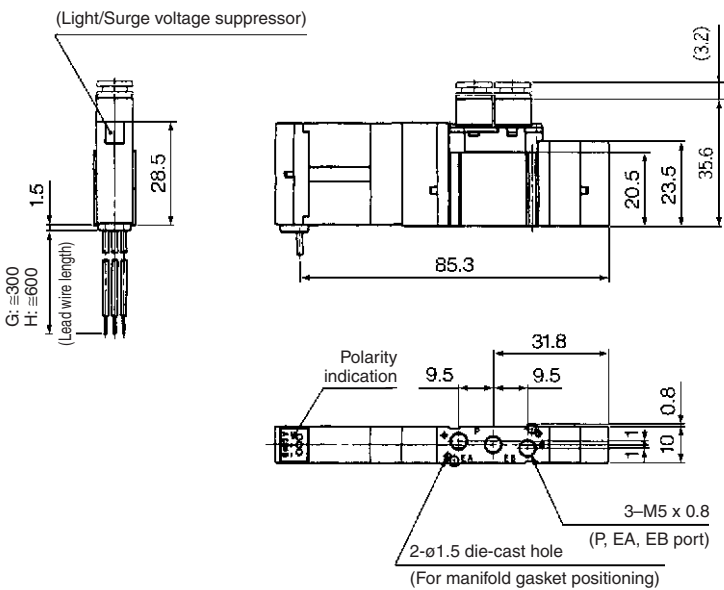
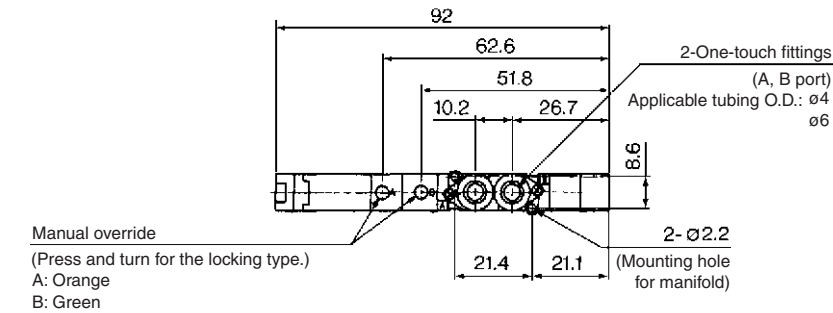
M plug connector (M): SX3220-□^M□□□-C₄C₆



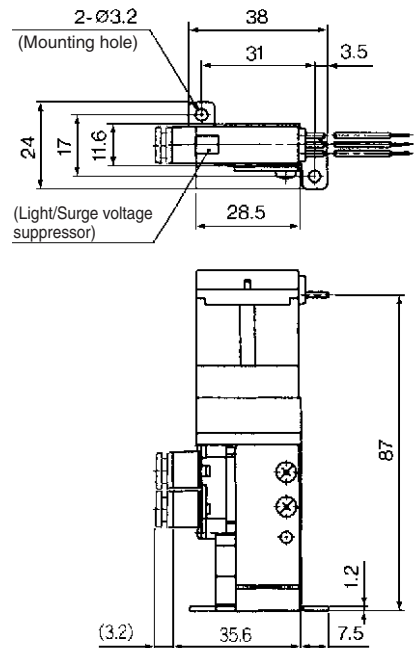
Series **SX3000/5000/7000**

Dimensions: Series **SX3000**

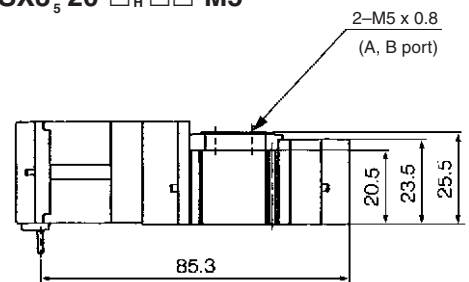
3 position closed center/exhaust center/pressure center Grommet (G), (H): $SX3\frac{3}{4}\frac{3}{5}20-\square_H^G-\square-C_4^C_6$



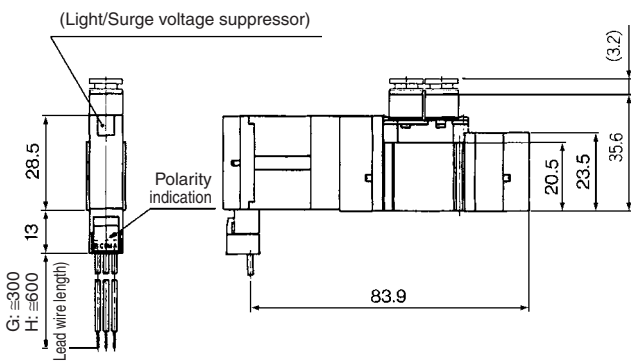
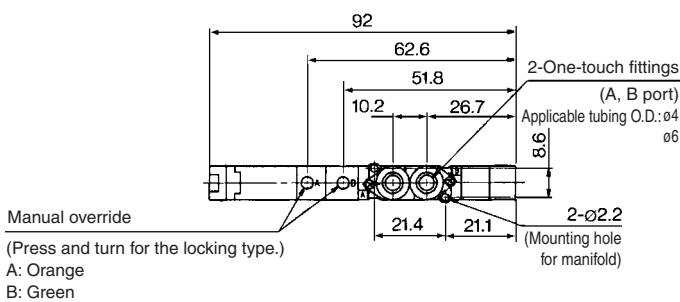
Foot bracket
 $SX3\frac{3}{4}\frac{3}{5}20-\square_H^G-\square-C_4^C_6-F1$



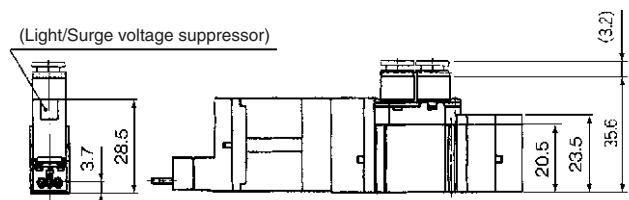
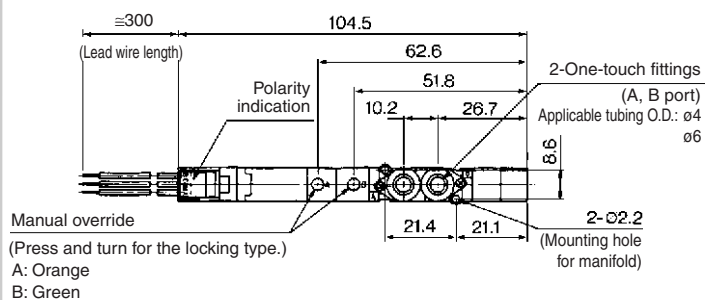
$SX3\frac{3}{4}\frac{3}{5}20-\square_H^G-\square-M5$



L plug connector (L): $SX3\frac{3}{4}\frac{3}{5}20-\square_L^G-\square-C_4^C_6$



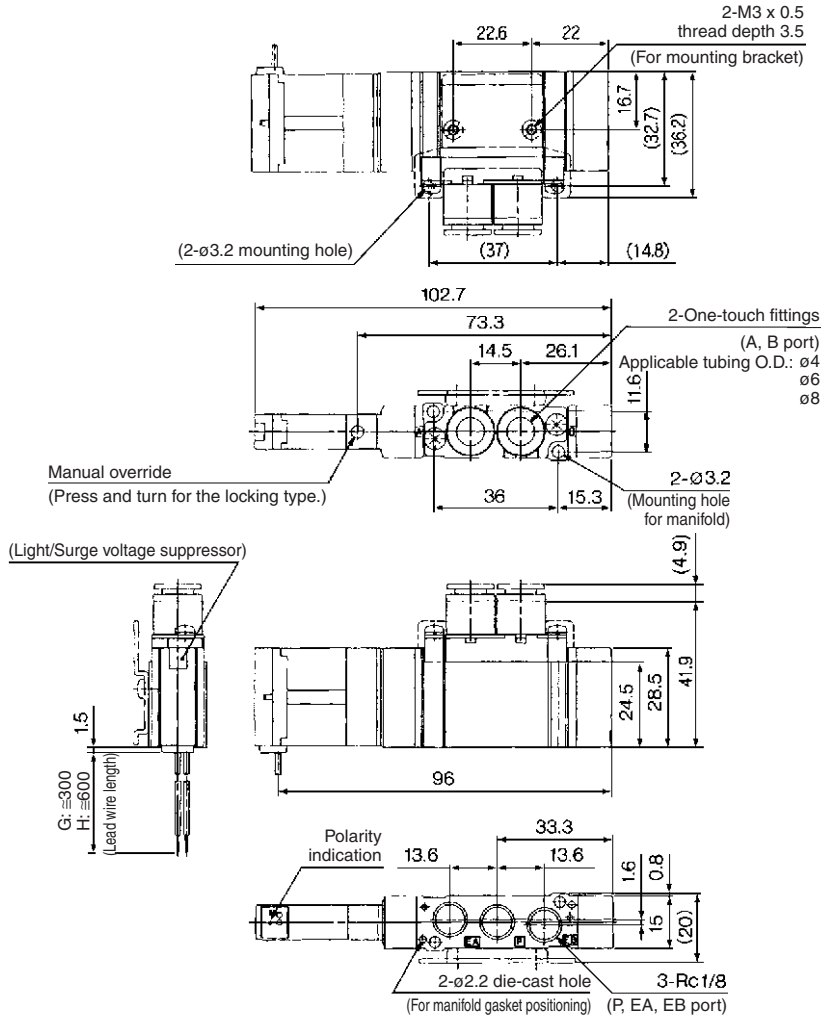
M plug connector (M): $SX3\frac{3}{4}\frac{3}{5}20-\square_M^G-\square-C_4^C_6$



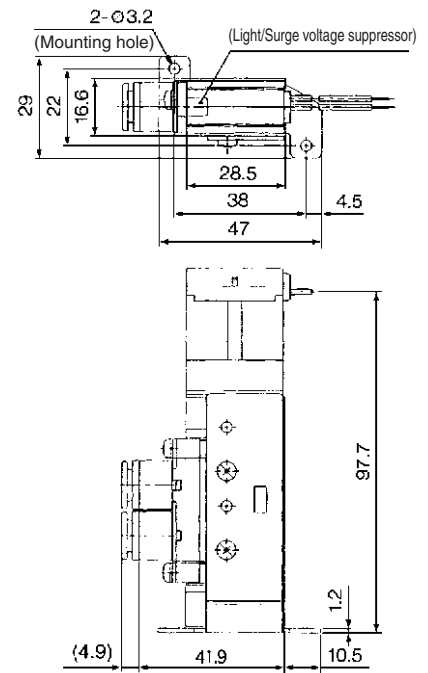
Series **SX3000/5000/7000**

Dimensions: Series SX5000

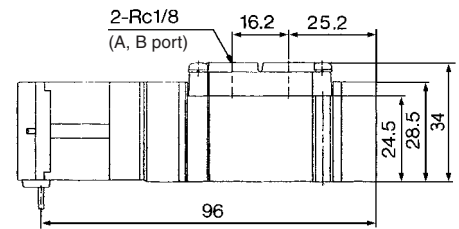
2 position single Grommet (G), (H): SX5120-□^G□□-^{C4}_{C6}□□-^{C8}(-F2)



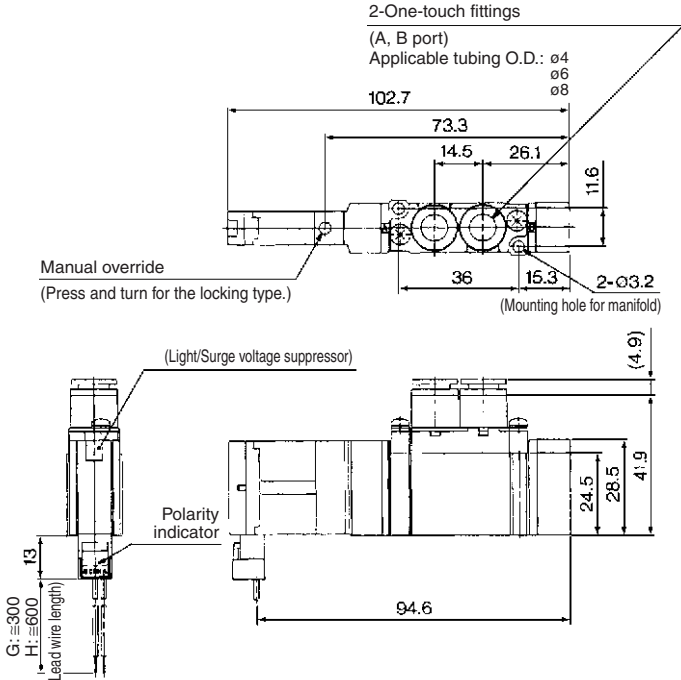
Foot bracket SX5120-□^G□□-^{C4}_{C6}□□-^{C8}-F1



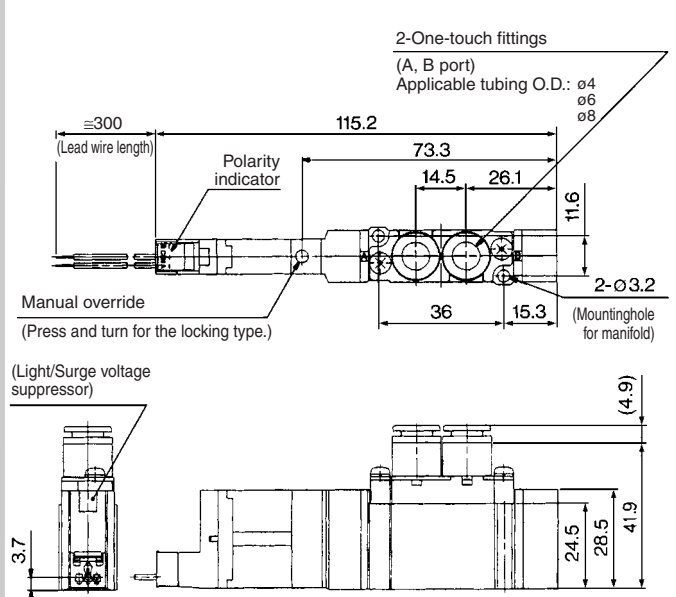
SX5120-□^G□□-01



L plug connector (L): SX5120-□^G□□-^{C4}_{C6}□□-^{C8}



M plug connector (M): SX5120-□^G□□-^{C4}_{C6}□□-^{C8}



- SV
- SZ
- SY
- SYJ
- SX

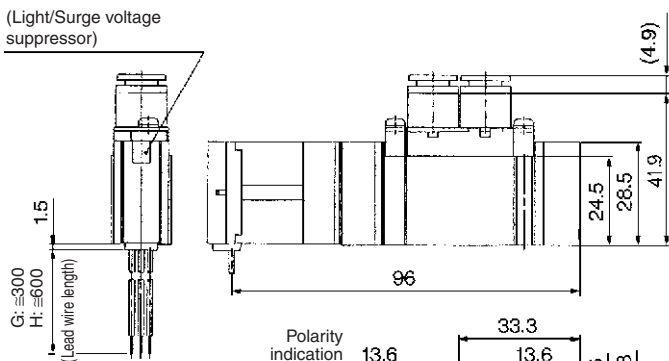
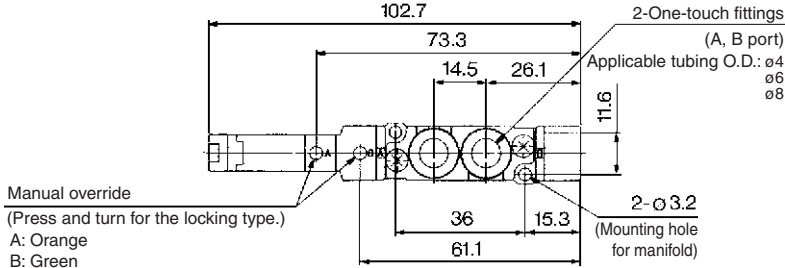
Courtesy of Steven Engineering, Inc.-230 Ryan Way, South San Francisco, CA 94080-6370-Main Office: (650) 588-9200-Outside Local Area: (800) 258-9200-www.stevenengineering.com

Series **SX3000/5000/7000**

Dimensions: Series **SX5000**

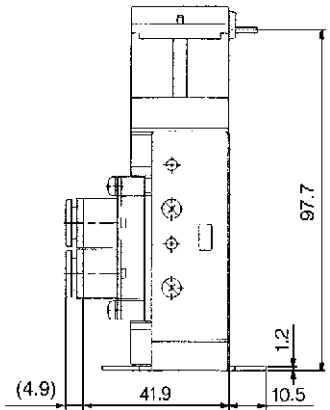
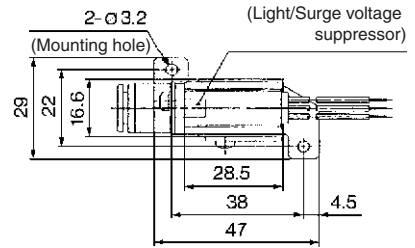
2 position double

Grommet (G), (H): **SX5220-□^G□□-□^{C4}_{C6}□^{C8}**

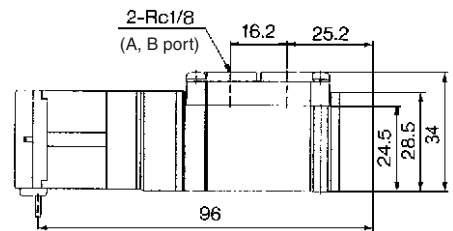


Foot bracket

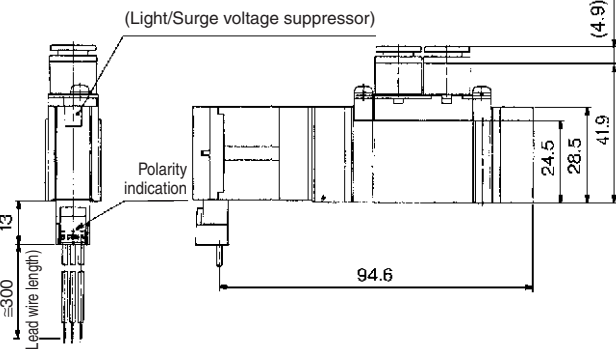
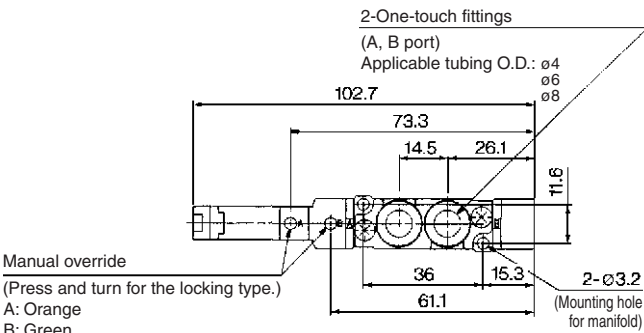
SX5220-□^G□□-□^{C4}_{C6}□^{C8}-F1



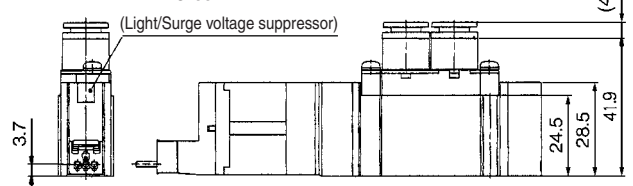
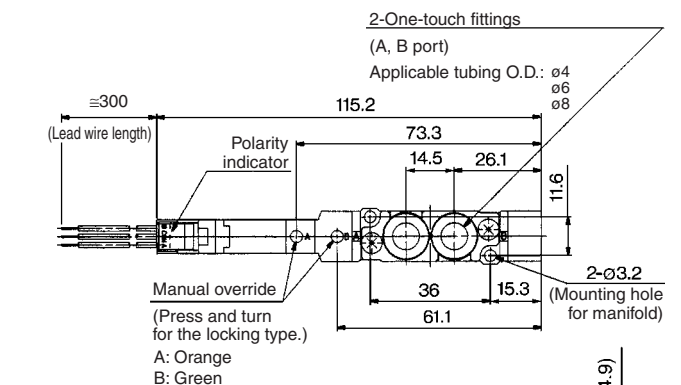
SX5220-□^G□□-01



L plug connector (L): SX5220-□L□□-□^{C4}_{C6}□^{C8}

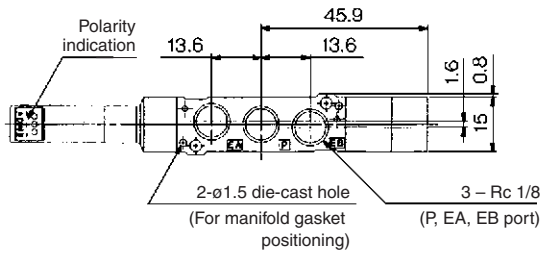
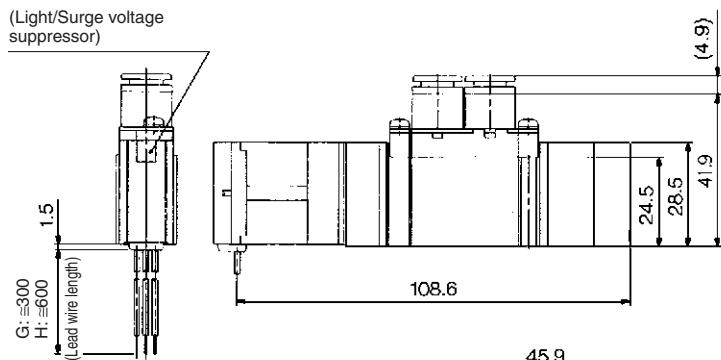
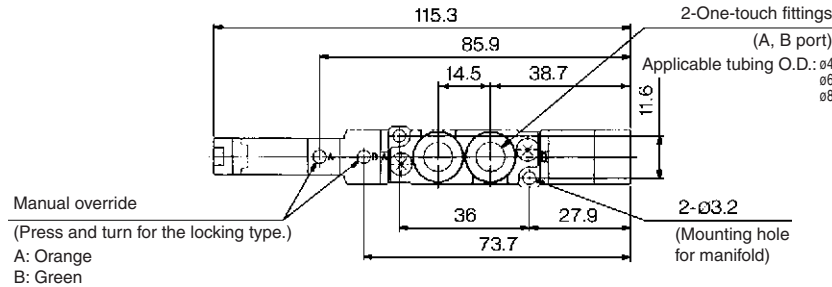


M plug connector (M): SX5220-□M□□-□^{C4}_{C6}□^{C8}

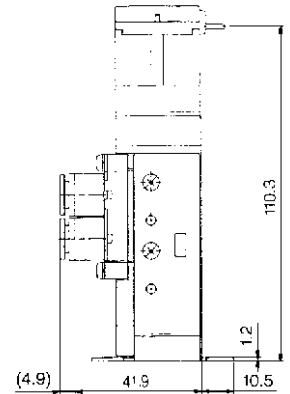
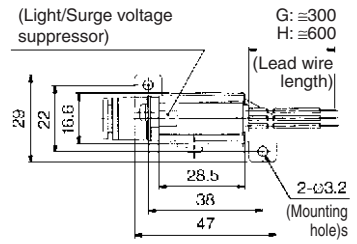


Series **SX3000/5000/7000**

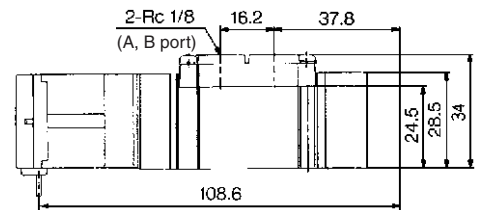
3 position closed center/exhaust center/pressure center Grommet (G), (H): SX5³/₄ 20-□_H□□-C₄/_{C6}/_{C8}



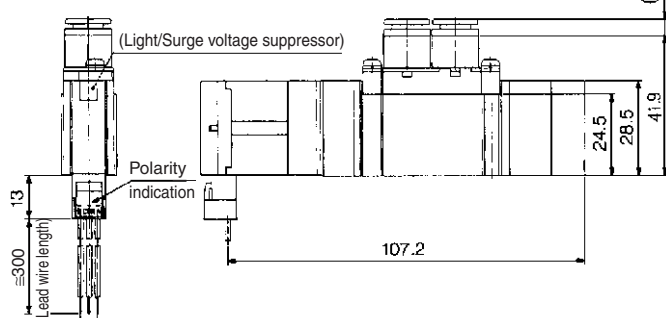
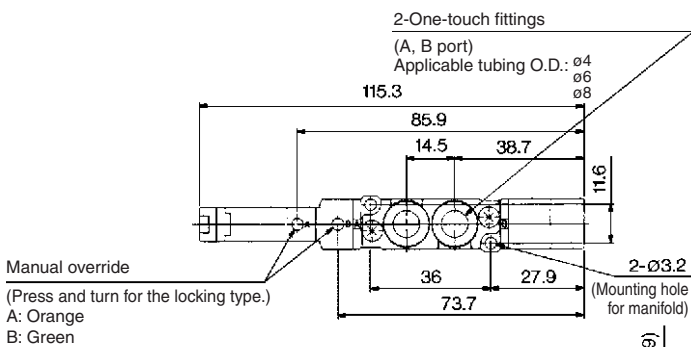
Foot bracket SX5³/₄ 20-□_H□□-C₄/_{C6}/_{C8} -F1



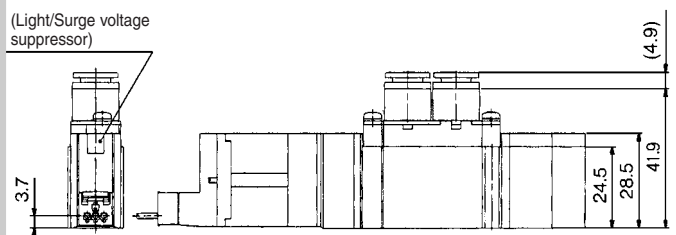
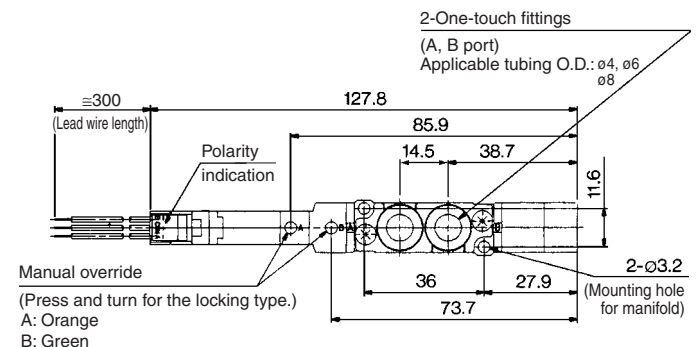
SX5³/₄ 20-□_H□□-01



L plug connector (L): SX5³/₄ 20-□_L□□-C₄/_{C6}/_{C8}



M plug connector (M): SX5³/₄ 20-□_M□□-C₄/_{C6}/_{C8}



- SV
- SZ
- SY
- SYJ
- SX

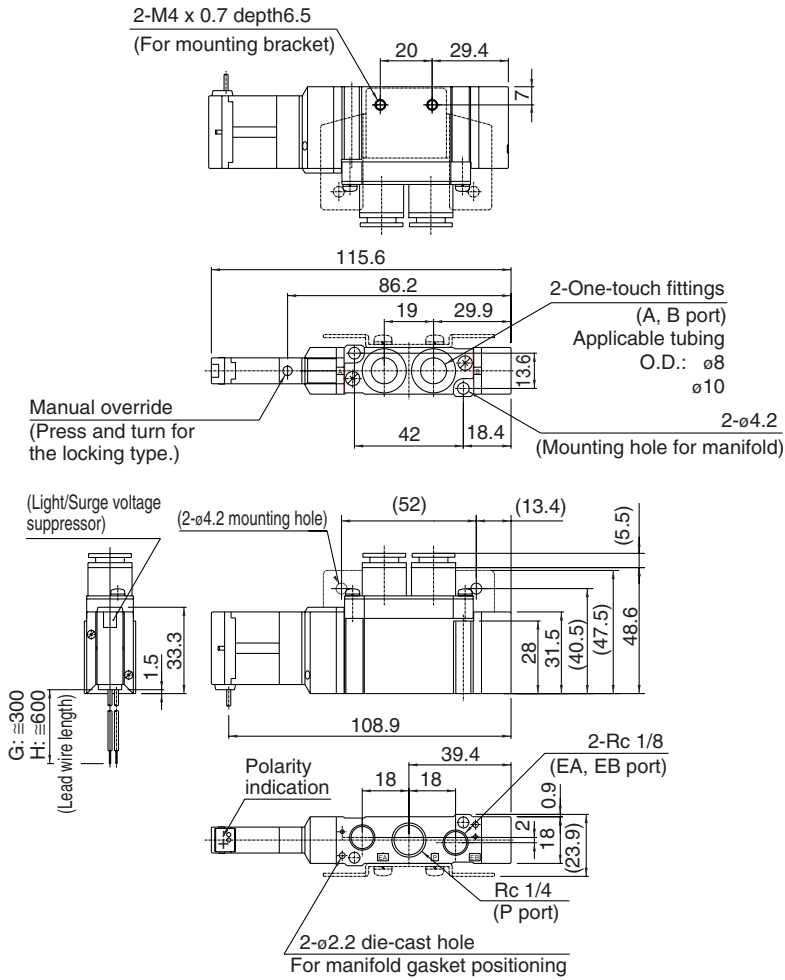
Courtesy of Steven Engineering, Inc.-230 Ryan Way, South San Francisco, CA 94080-6370-Main Office: (650) 588-9200-Outside Local Area: (800) 258-9200-www.stevenengineering.com

Series **SX3000/5000/7000**

Dimensions: Series SX7000

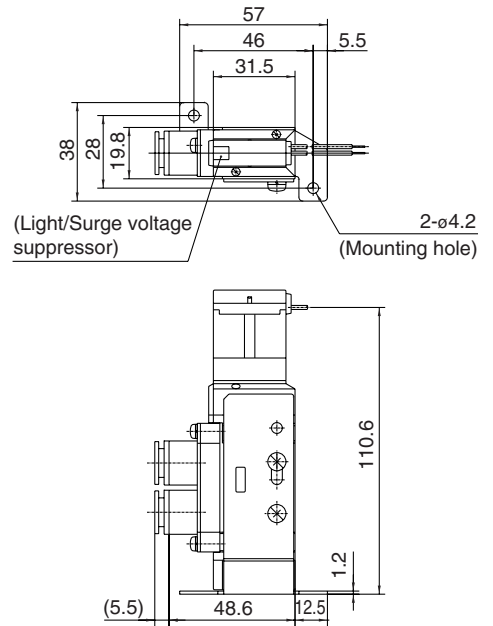
2 position single

Grommet (G), (H): SX7120-□^G□□□-C⁸_{C10} (-F2)

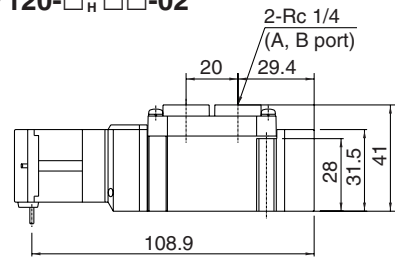


Foot bracket

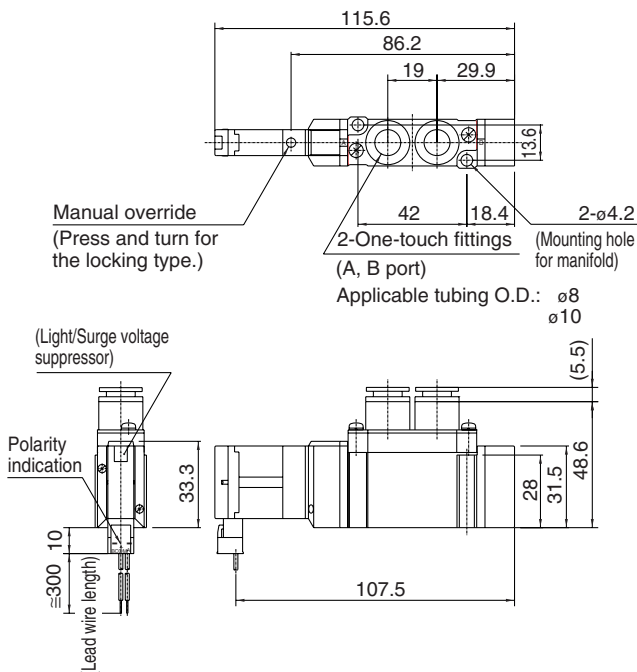
SX7120-□^G□□□-C⁸_{C10} -F1



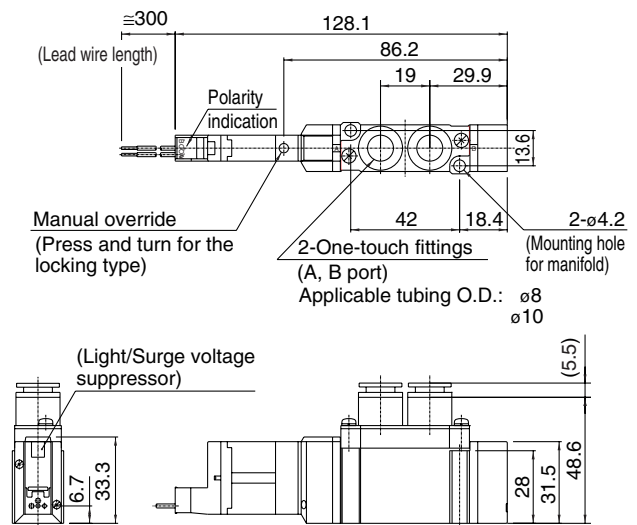
SX7120-□^G□□□-02



L plug connector (L): SX7120-□L□□□-C⁸_{C10}

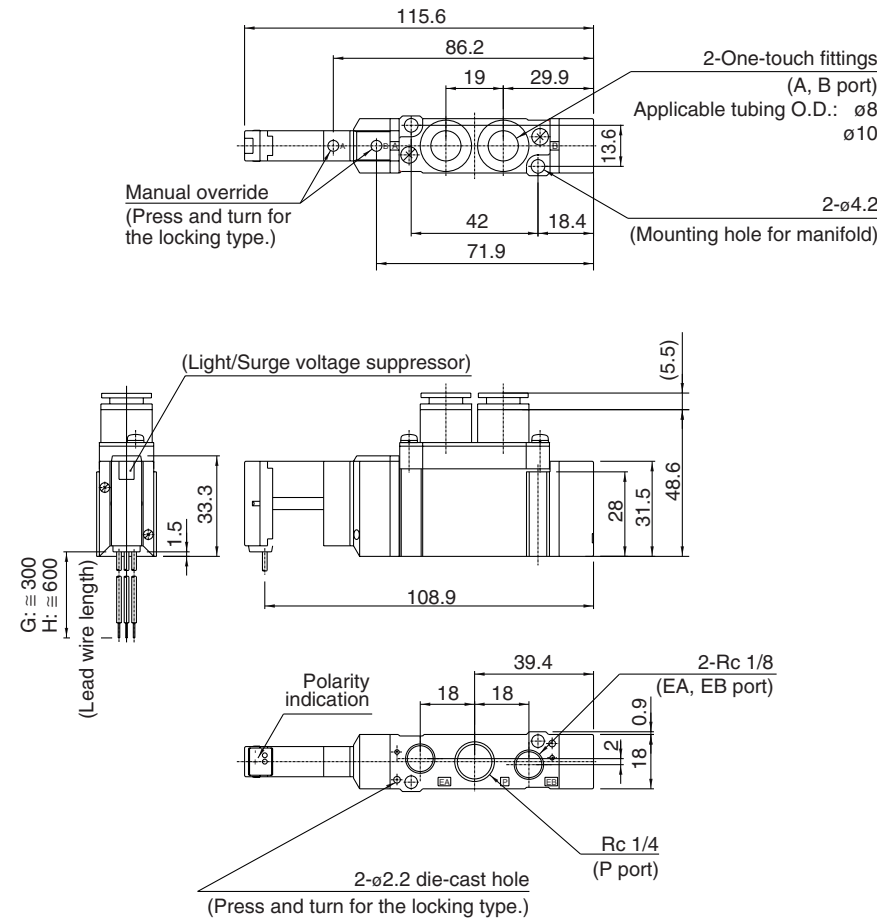


M plug connector (M): SX7120-□M□□□-C⁸_{C10}

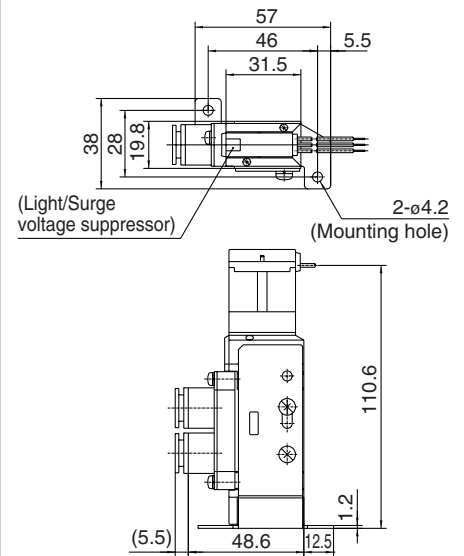


Series **SX3000/5000/7000**

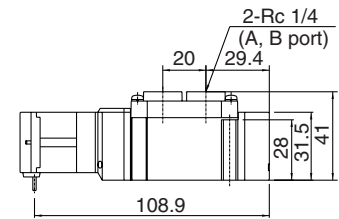
2 position double Grommet (G), (H): SX7220-□_H□□-C₈_{C10} (-F2)



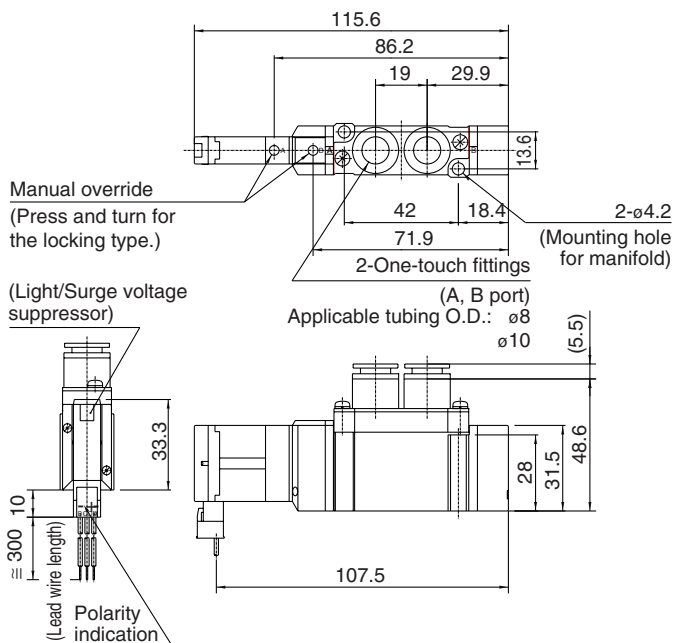
Foot bracket SX7220-□_H□□-C₈_{C10} -F1



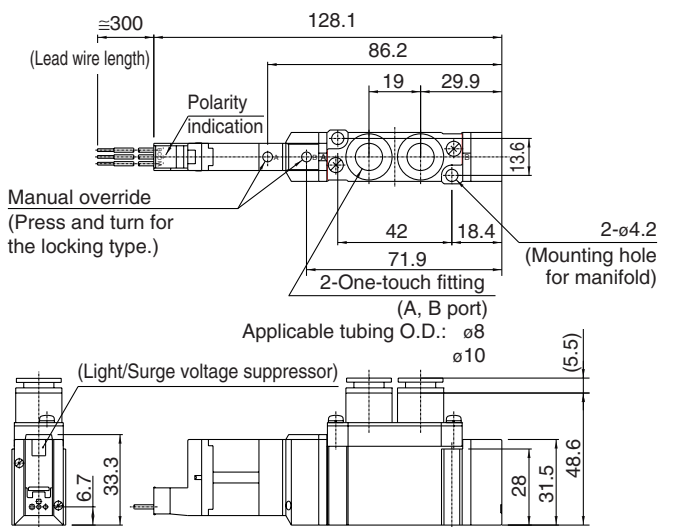
SX7220-□_H□□-02



L plug connector (L): SX7220-□L□□-C₈_{C10}



M plug connector (M): SX7220-□M□□-C₈_{C10}

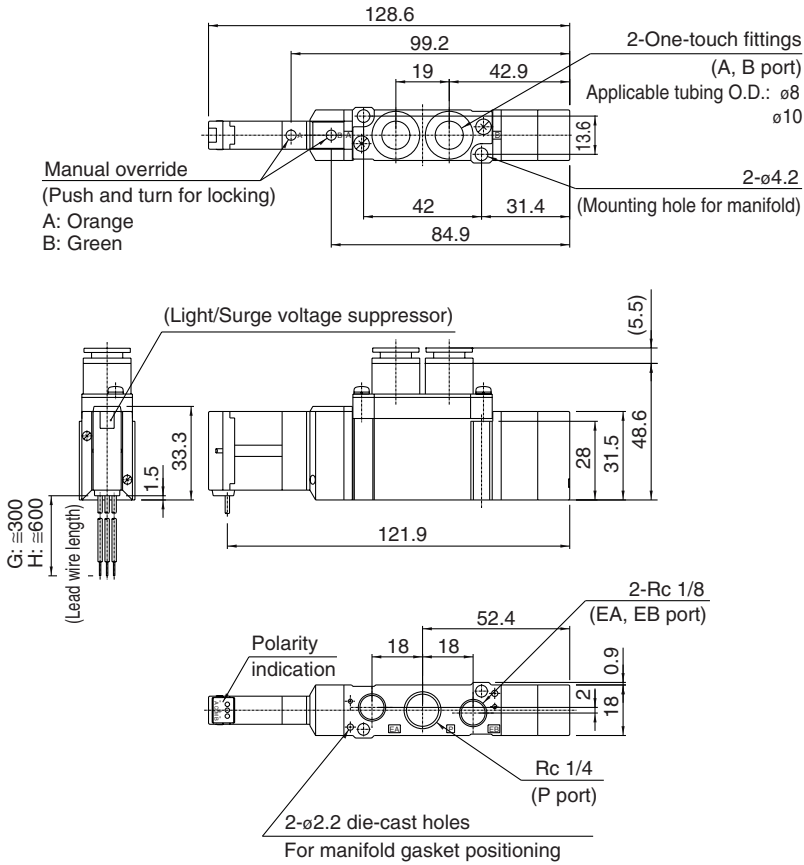


- SV
- SZ
- SY
- SYJ
- SX

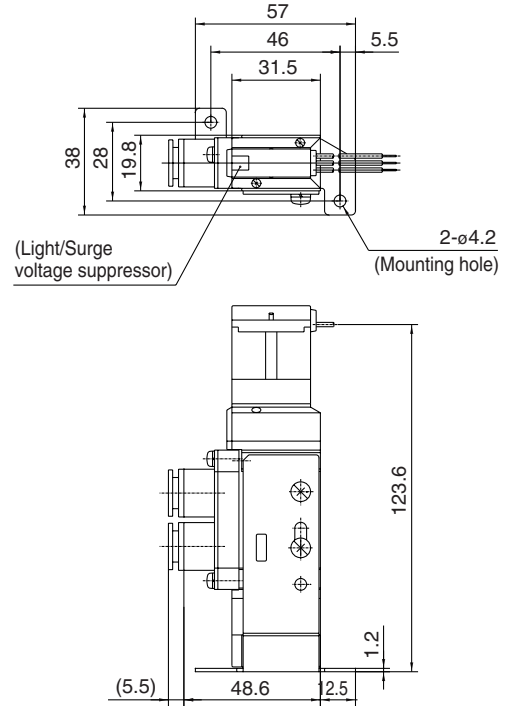
Series **SX3000/5000/7000**

Dimensions: Series SX7000

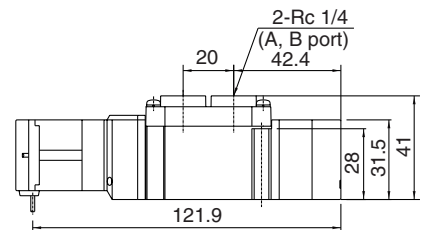
**3 position closed center/exhaust center/pressure center
Grommet (G), (H): SX7³/₄20-□^G□□-C⁸_{C10} (-F2)**



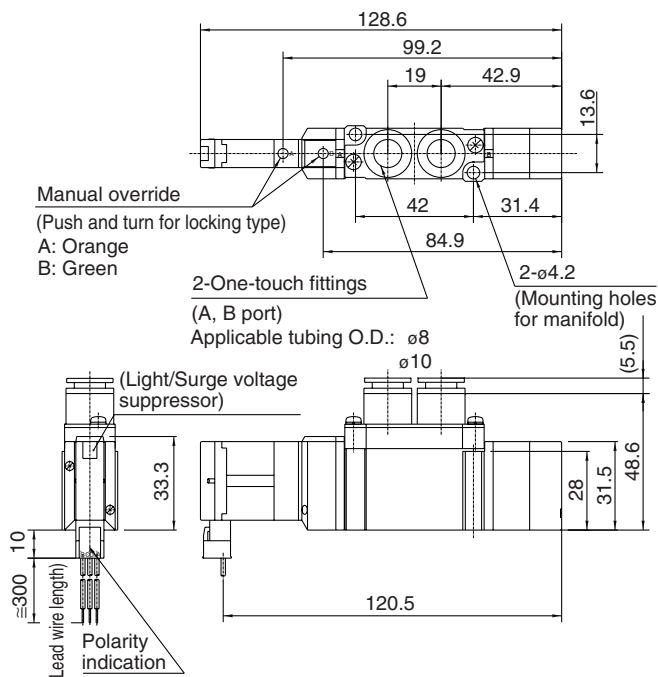
**Foot bracket
SX7³/₄20-□^G□□-C⁸_{C10} -F1**



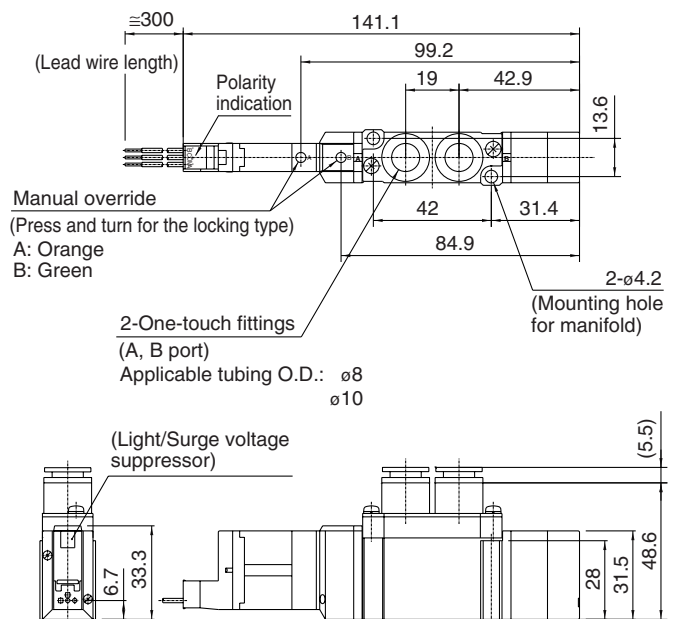
SX7³/₄20-□^G□□-02



L plug connector (L): SX7³/₄20-□^L□□-C⁸_{C10}



M plug connector (M): SX7³/₄20-□^M□□-C⁸_{C10}



SV

SZ

SY

SYJ

SX

Courtesy of Steven Engineering, Inc.-230 Ryan Way, South San Francisco, CA 94080-6370-Main Office: (650) 588-9200-Outside Local Area: (800) 255-9200-www.stevenengineering.com

Series SX3000/5000/7000 Base Mounted Valve Single Unit

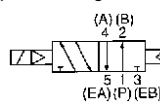
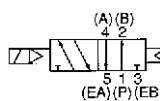
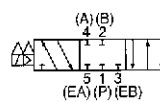
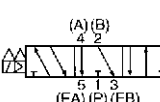
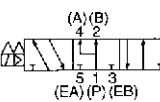
How to Order

SX **5** **2** 40 **5** **N** **L**

Series

3	SX3000
5	SX5000
7	SX7000

Type of actuation

1	2 position single 
2	2 position double 
3	3 position closed center 
4	3 position exhaust center 
5	3 position pressure center 

Pilot type

Nil	Internal pilot
R	External pilot

Rated voltage

5	24 VDC
6	12 VDC
V	6 VDC
S	5 VDC
R	3 VDC

Common specifications

Nil	Positive common
N	Negative common



Note) Put nothing for single grommet style and single without indicator light and surge voltage suppressor.

Thread type

Nil	Rc
F	G
N	NPT
T	NPTF

Port size

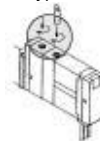
Symbol	Port size	Applicable series
Nil	Without sub-plate	
01	1/8 With sub-plate	SX3000
02	1/4 With sub-plate	SX5000 SX7000
03	3/8 With sub-plate	SX7000

Manual override

Nil: Non-locking push type




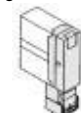

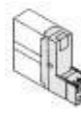




D: Push-turn locking slotted type



Light/Surge voltage suppressor

Nil	Without light/surge voltage suppressor
S	With surge voltage suppressor
Z	With light/surge voltage suppressor

Electrical entry

Grommet	L plug connector	M plug connector	
G: Lead wire length 300 mm 	L: With lead wire (Length 300 mm) 	M: With lead wire (Length 300 mm) 	MN: Without lead wire 
H: Lead wire length 600 mm 	LN: Without lead wire 	LO: Without connector 	MO: Without connector 



* The LN or MN option includes 2 sockets for single solenoid valves and 3 sockets for double solenoid valves.

Series **SX3000/5000/7000**

Specifications



Made to Order Specifications
(For details, refer to pages
1-6-124 to 1-6-138.)

Series		SX3000	SX5000	SX7000
Fluid		Air		
Internal pilot	2 position single	0.15 to 0.7		
	Operating pressure range (MPa)	2 position double	0.1 to 0.7	
		3 position	0.2 to 0.7	
External pilot	Operating pressure range		-100 kPa to 0.7	
	Operating pressure range (MPa)	Pilot pressure range	0.25 to 0.7	
		2 position single	0.25 to 0.7	
		2 position double	0.25 to 0.7	
3 position	0.25 to 0.7			
Ambient and fluid temperature (°C)		Max. 50		
Max. operating frequency (Hz)	2 position single, double	10	5	5
	3 position	3	3	3
Manual override		Non-locking push type, Push-turn locking slotted type		
Pilot exhaust method	Internal pilot	Common exhaust type for main and pilot valve		
	External pilot	Pilot valve individual exhaust		
Lubrication		Not required		
Mounting orientation		Unrestricted		
Impact/Vibration resistance (m/s ²) ^{Note)}		150/30		
Enclosure		Dusttight		



Note) Impact resistance: No malfunction occurred when it is tested with a drop tester in the axial direction and at the right angles to the main valve and armature in both energized and de-energized states every once for each condition. (Values at the initial period)

Vibration resistance: No malfunction occurred in a one-sweep test between 45 and 2000 Hz. Test was performed at both energized and de-energized states in the axial direction and at the right angles to the main valve and armature. (Values at the initial period)

Solenoid Specifications

Electrical entry	Grommet (G)/(H), L plug connector (L), M plug connector (M)		
Coil rated voltage (V)	DC	24, 12, 6, 5, 3	
Allowable voltage fluctuation	±10% of rated voltage		
Power consumption (W)	DC	0.6 (With indicator light: 0.65)	
Surge voltage suppressor	Diode		
Indicator light	LED		

Response Time



Note) Based on dynamic performance test, JIS B 8375-1981. (Coil temperature: 20°C, at rated voltage)

SX3000

Type of actuation	Response time (ms) (at the pressure of 0.5 MPa)	
	Without light/surge voltage suppressor	With light/surge voltage suppressor
2 position single	12 or less	15 or less
2 position double	10 or less	13 or less
3 position	15 or less	20 or less

SX5000

Type of actuation	Response time (ms) (at the pressure of 0.5 MPa)	
	Without light/surge voltage suppressor	With light/surge voltage suppressor
2 position single	19 or less	26 or less
2 position double	18 or less	22 or less
3 position	32 or less	38 or less

SX7000

Type of actuation	Response time (ms) (at the pressure of 0.5 MPa)	
	Without light/surge voltage suppressor	With light/surge voltage suppressor
2 position single	31 or less	38 or less
2 position double	27 or less	30 or less
3 position	50 or less	56 or less

SV

SZ

SY

SYJ

SX

Series **SX3000/5000/7000**

Flow Characteristics/Weight

Model/Series SX3000

Valve model	Type of actuation		Port size	Flow characteristics ⁽¹⁾						Weight (g) ⁽²⁾	
				1 → 4/2 (P → A/B)			4/2 → 5/3 (A/B → EA/EB)			Grommet	L plug connector M plug connector
				C [dm ³ /(s·bar)]	b	Cv	C [dm ³ /(s·bar)]	b	Cv		
SX3□40-□-01	2 position	Single	Rc 1/8	1.0	0.30	0.24	1.1	0.30	0.26	100 (66)	101 (67)
		Double		0.77	0.28	0.18	0.85	0.30	0.19	108 (74)	110 (75)
	3 position	Closed center		0.73	0.31	0.18	1.1 [0.55]	0.26 [0.52]	0.24 [0.16]	111 (76)	112 (78)
		Exhaust center		1.2 [0.51]	0.24 [0.45]	0.29 [0.14]	0.89	0.47	0.24		
		Pressure center									

Note 1) []: Denotes the normal position.
 Note 2) (): Without sub-plate.

Model/Series SX5000

Valve model	Type of actuation		Port size	Flow characteristics ⁽¹⁾						Weight (g) ⁽²⁾	
				1 → 4/2 (P → A/B)			4/2 → 5/3 (A/B → EA/EB)			Grommet	L plug connector M plug connector
				C [dm ³ /(s·bar)]	b	Cv	C [dm ³ /(s·bar)]	b	Cv		
SX5□40-□-02	2 position	Single	Rc 1/4	2.4	0.41	0.64	2.8	0.29	0.66	136 (74)	137 (75)
		Double		1.8	0.47	0.50	1.8	0.40	0.47	144 (82)	145 (83)
	3 position	Closed center		1.4	0.55	0.44	3.0 [1.2]	0.33 [0.48]	0.72 [0.37]	149 (87)	151 (89)
		Exhaust center		3.3 [0.84]	0.36 [0.60]	0.85 [0.28]	1.8	0.40	0.48		
		Pressure center									

Note 1) []: Denotes the normal position.
 Note 2) (): Without sub-plate.

Model/Series SX7000

Valve model	Type of actuation		Port size	Flow characteristics ⁽¹⁾						Weight (g) ⁽²⁾	
				1 → 4/2 (P → A/B)			4/2 → 5/3 (A/B → EA/EB)			Grommet	L plug connector M plug connector
				C [dm ³ /(s·bar)]	b	Cv	C [dm ³ /(s·bar)]	b	Cv		
SX7□40-□-02	2 position	Single	Rc 1/4	4.1	0.41	1.1	4.1	0.29	1.0	222 (100)	223 (101)
		Double		3.0	0.43	0.80	2.6	0.41	0.72	229 (107)	231 (109)
	3 position	Closed center		2.6	0.42	0.71	4.7 [1.7]	0.35 [0.48]	1.1 [0.49]	238 (116)	240 (118)
		Exhaust center		5.3 [2.3]	0.39 [0.49]	1.3 [0.65]	2.2	0.49	0.63		
		Pressure center									
SX7□40-□-03	2 position	Single	Rc 3/8	4.9	0.29	1.2	4.5	0.27	1.1	222 (100)	223 (101)
		Double		3.0	0.40	0.80	2.6	0.45	0.73	229 (107)	231 (109)
	3 position	Closed center		2.6	0.42	0.71	4.8 [1.7]	0.35 [0.48]	1.1 [0.49]	238 (116)	240 (118)
		Exhaust center		5.3 [2.3]	0.31 [0.51]	1.3 [0.64]	2.3	0.45	0.66		
		Pressure center									

Note 1) []: Denotes the normal position.
 Note 2) (): Without sub-plate.

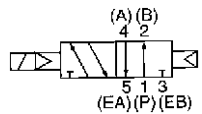
Series **SX3000/5000/7000**

Construction

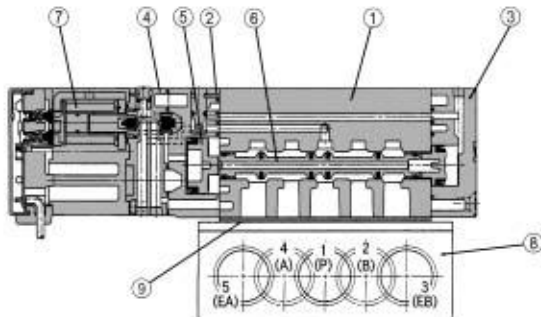
Series SX

JIS Symbol

2 position single

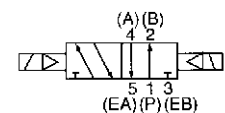


2 position single

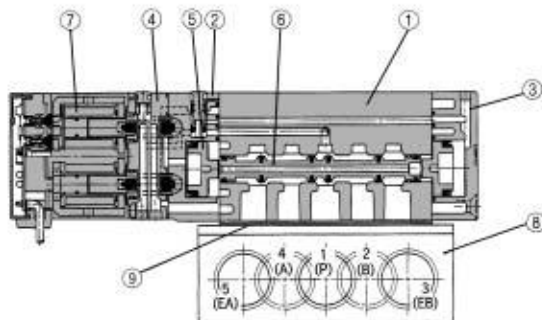


JIS Symbol

2 position double

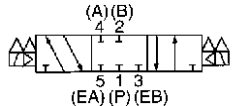


2 position double

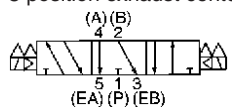


JIS Symbol

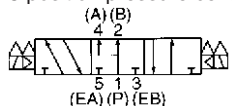
3 position closed center



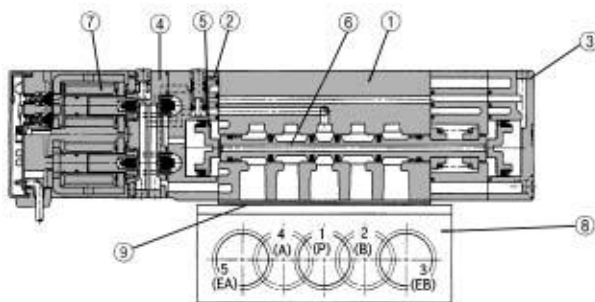
3 position exhaust center



3 position pressure center



3 position closed center/exhaust center/pressure center



(This figure shows a closed center type.)

Component Parts

No.	Description	Material	Note
①	Body	Aluminum die-casted (SX3000: Zinc die-casted)	White
②	Adapter plate	Resin	White
③	End plate	Resin	White
④	Pilot body	Resin	White
⑤	Piston	Resin	—
⑥	Spool valve assembly	Aluminum, HNBR	—
⑦	Molded coil	Resin	Gray

Replacement Parts

No.	Description	Part no.			Note
		SX3□40	SX5□40	SX7□40	
⑧	Sub-plate	SY3000-27-1	SY5000-27-1	1/4 Rc: SY7000-27-1 3/8 Rc: SY7000-27-2	Aluminum die-casted
⑨	Gasket	SY3000-11-25	SY5000-11-15	SY7000-11-11	HNBR
—	Round head combination screw	SX3000-22-2 (M2 x 24)	M3 x 30	M4 x 35	For valve mounting (Matt nickel plated)

**How to Order
Connector Assembly
for L/M Plug Connector**

Positive common specifications

For single solenoid: **SX100-40-4S**

For double solenoid, **SX100-40-4D**

3 position: **SX100-41-4S**

For double solenoid, **SX100-41-4D**

3 position: **SX100-41-4D**

Lead wire length

Lead wire length	Lead wire length
Nil	300 mm
6	600 mm
10	1000 mm
15	1500 mm
20	2000 mm
25	2500 mm
30	3000 mm
50	5000 mm



For detailed information on connector assembly, refer to page 1-6-8.

SV

SZ

SY

SYJ

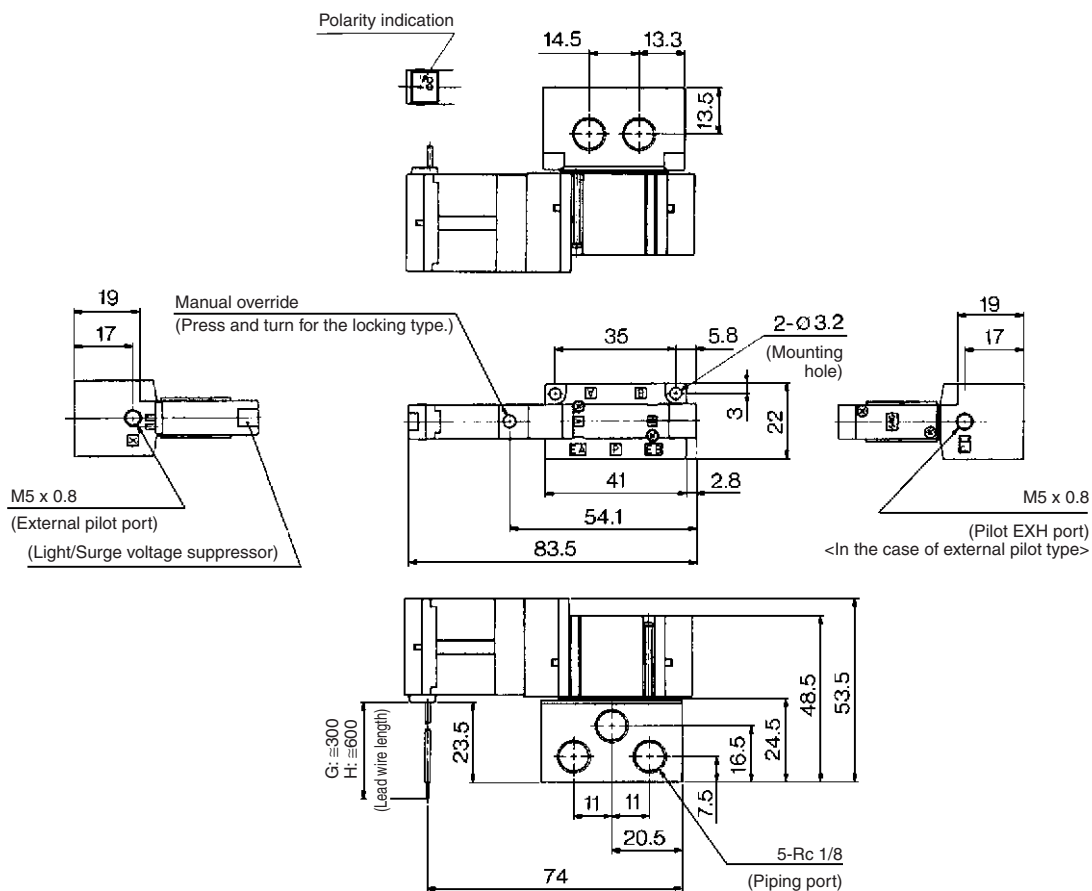
SX

Series **SX3000/5000/7000**

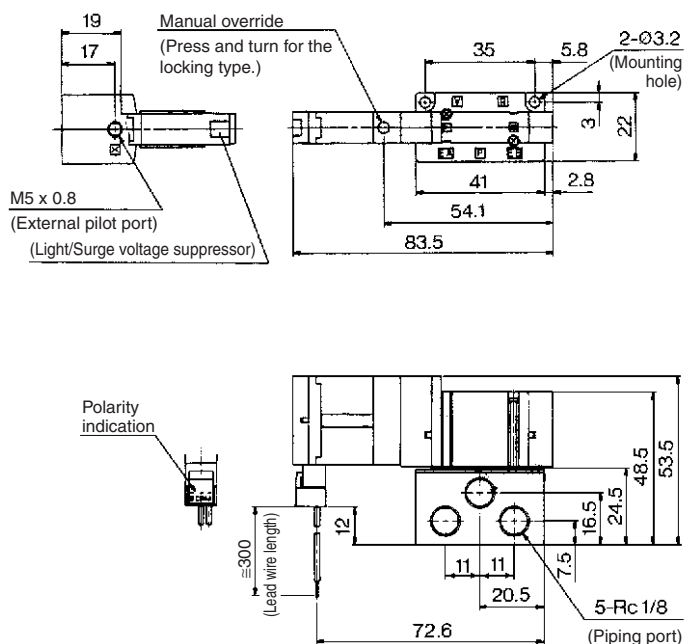
Dimensions: Series SX3000

2 position single

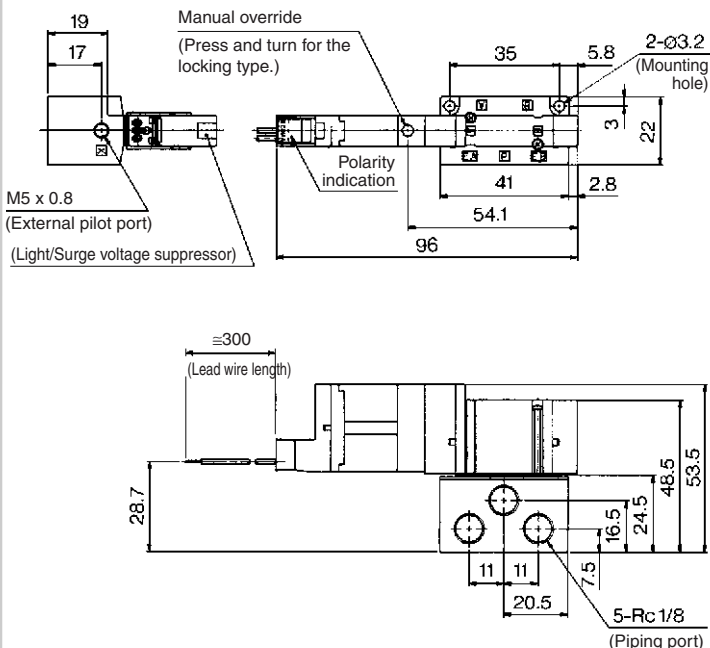
Grommet (G), (H): SX3140(R)-□_H□□-01



L plug connector (L): SX3140(R)-□L□□-01

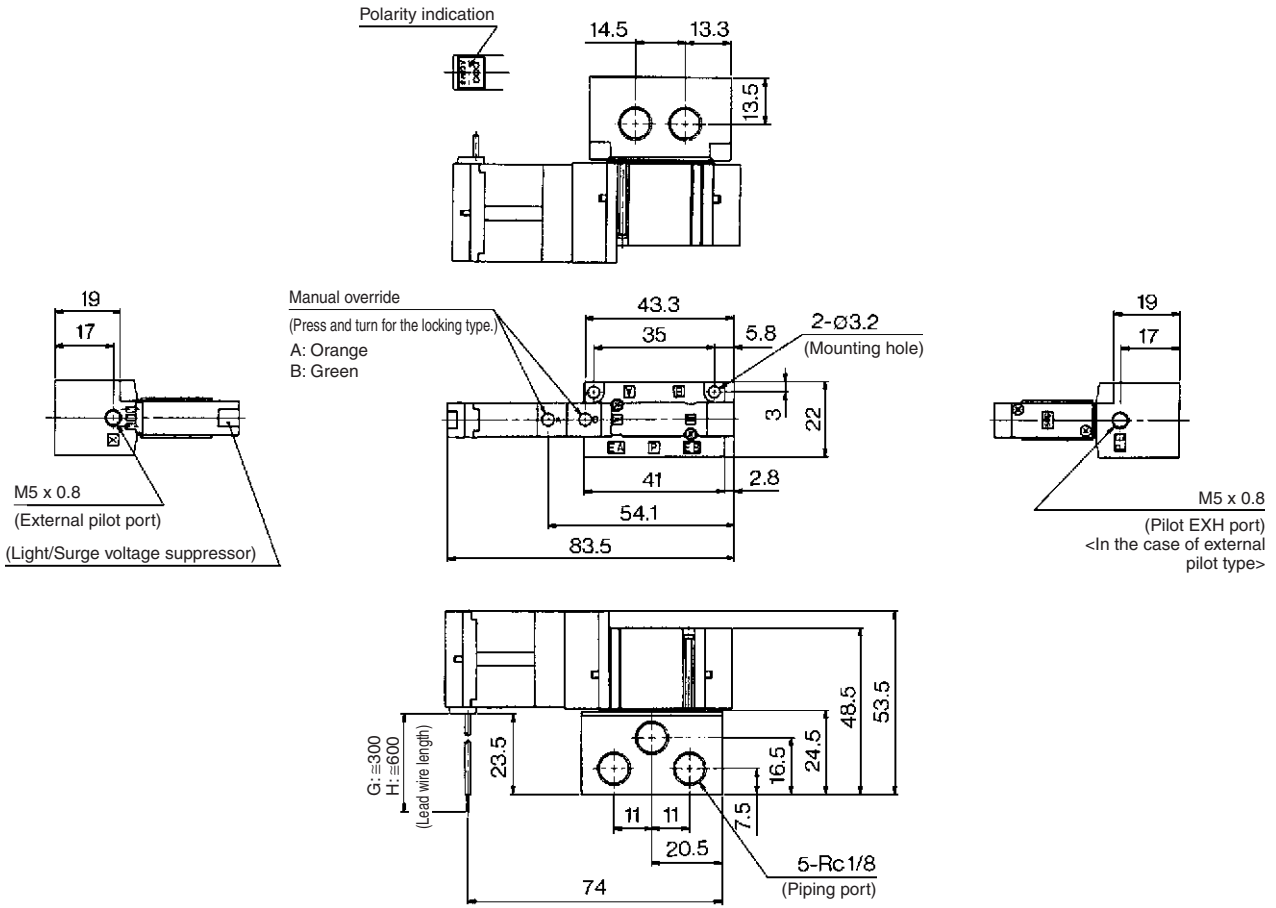


M plug connector (M): SX3140(R)-□M□□-01

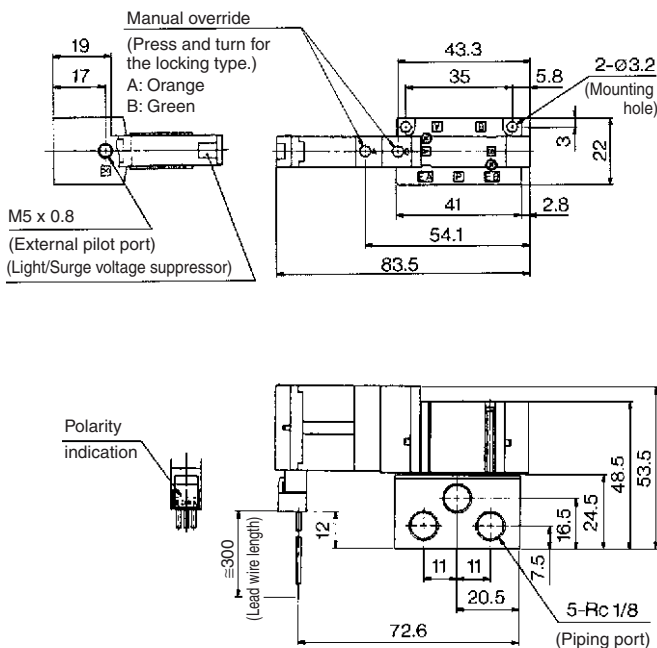


**2 position double
Grommet (G), (H): SX3240(R)-□_H□□-01**

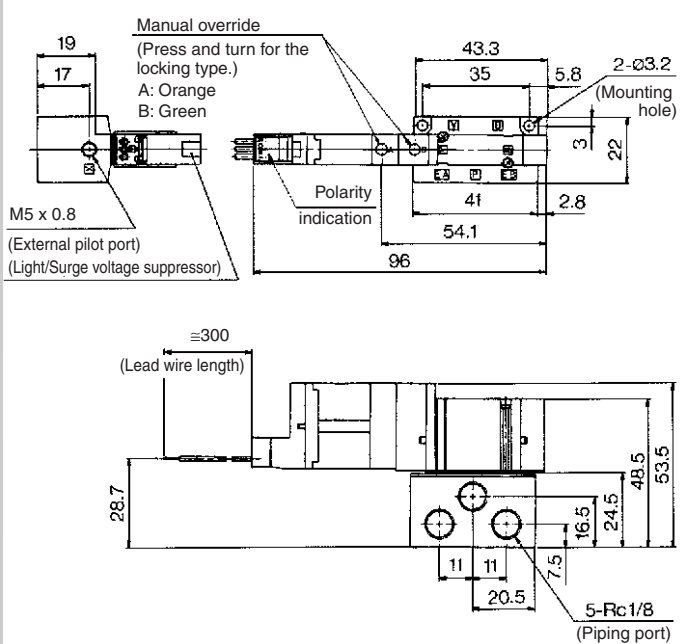
- SV
- SZ
- SY
- SYJ
- SX**



L plug connector (L): SX3240(R)-□L□□-01



M plug connector (M): SX3240(R)-□M□□-01

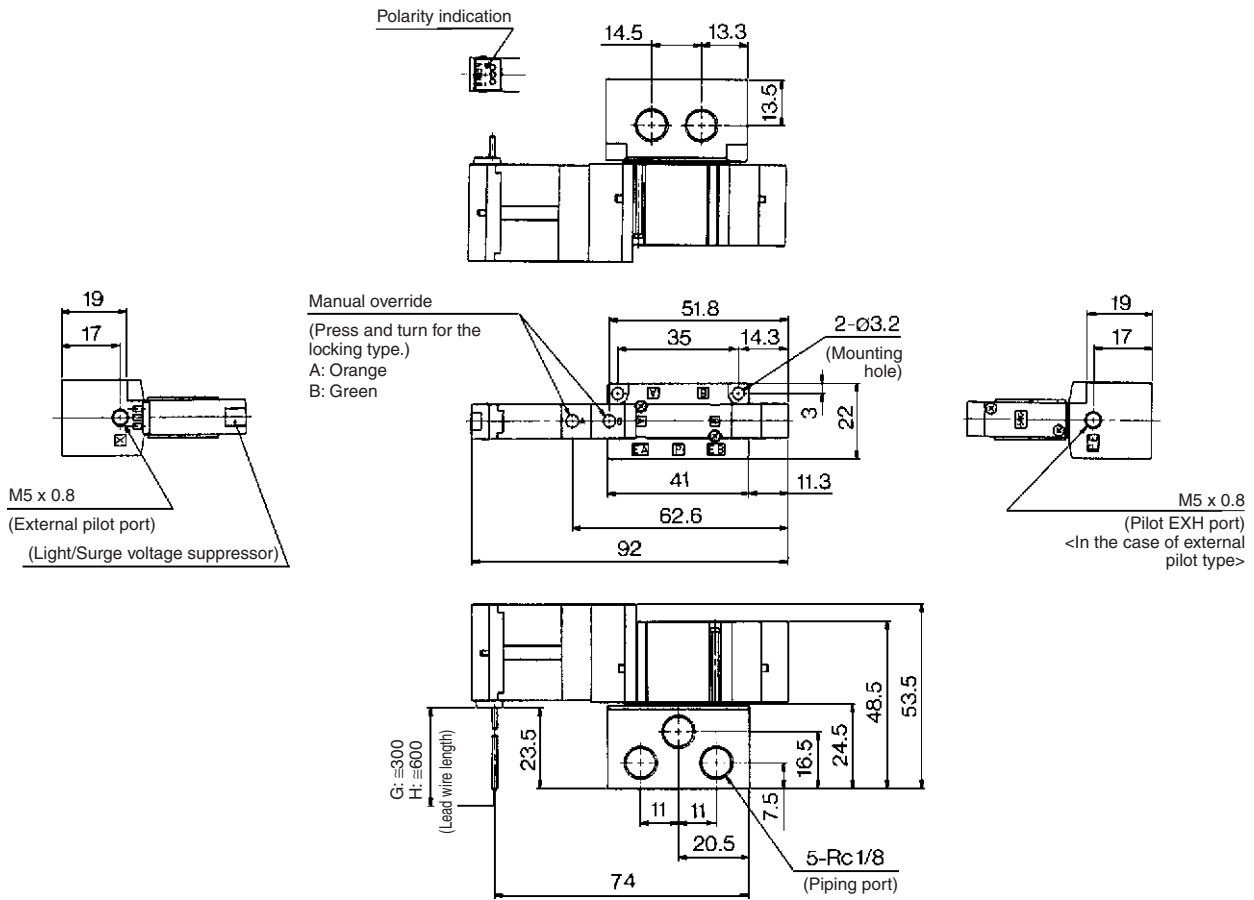


Series **SX3000/5000/7000**

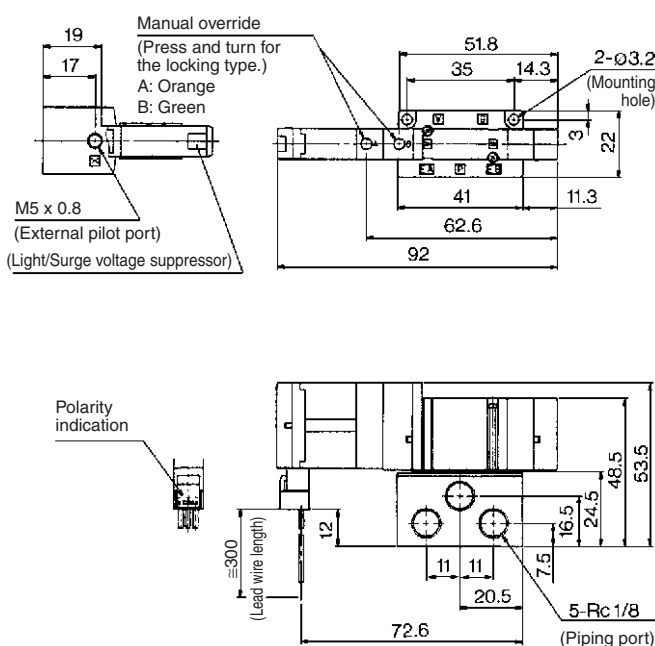
Dimensions: Series **SX3000**

3 position closed center/exhaust center/pressure center

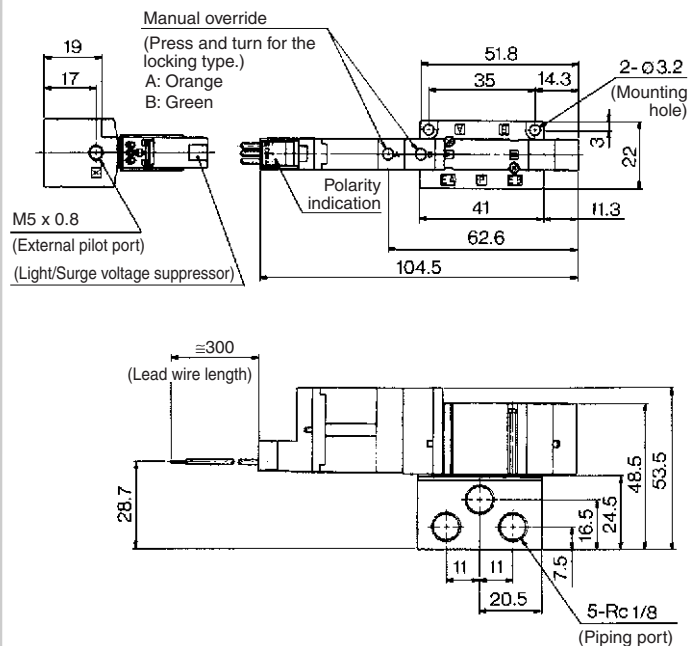
Grommet (G), (H): **SX3³₄⁴40(R)-□_H□□-01**



L plug connector (L): SX3³₄⁴40(R)-□L□□-01



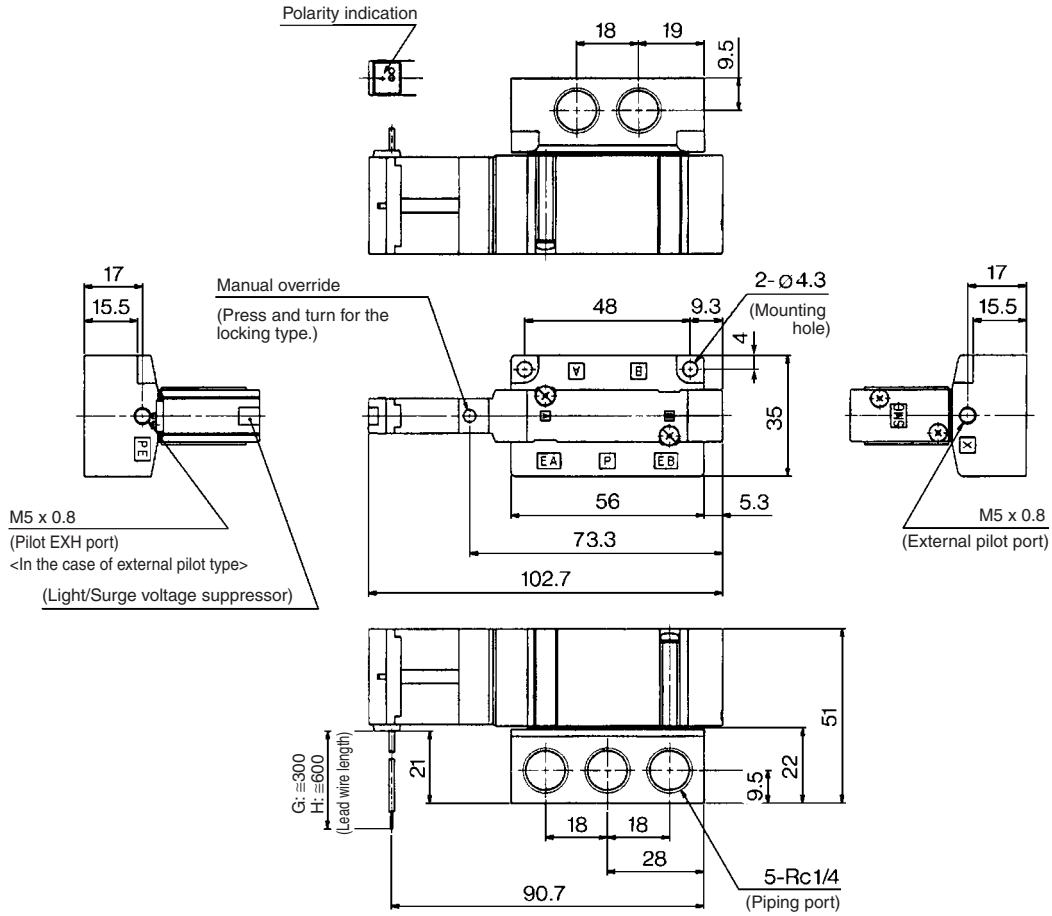
M plug connector (M): SX3³₄⁴40(R)-□M□□-01



Dimensions: Series SX5000

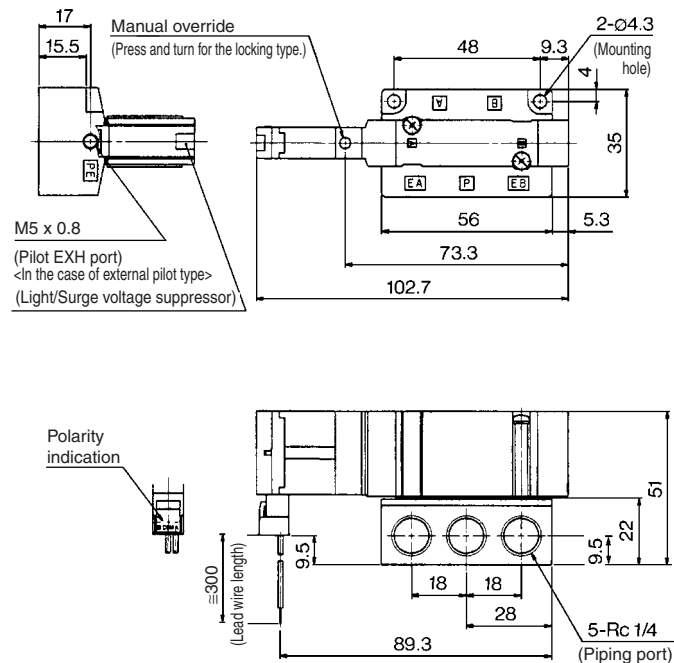
2 position single

Grommet (G), (H): **SX5140(R)-□_H□□-02**

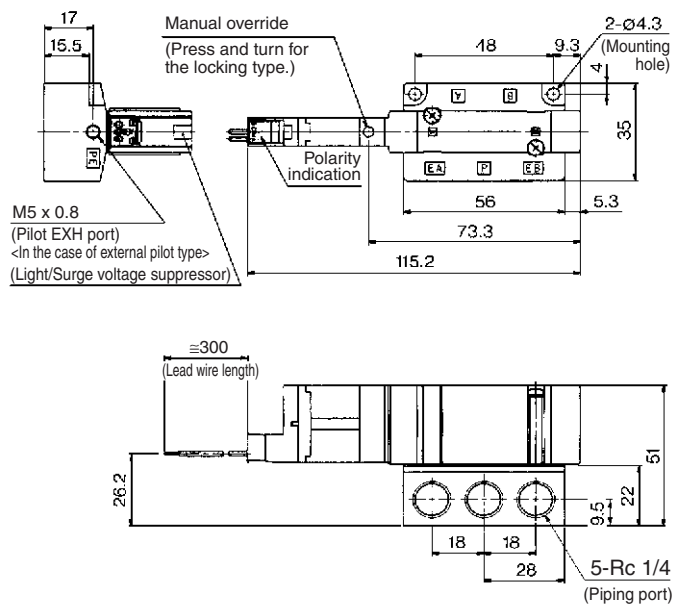


- SV
- SZ
- SY
- SYJ
- SX

L plug connector (L): SX5140(R)-□L□□-02



M plug connector (M): SX5140(R)-□M□□-02

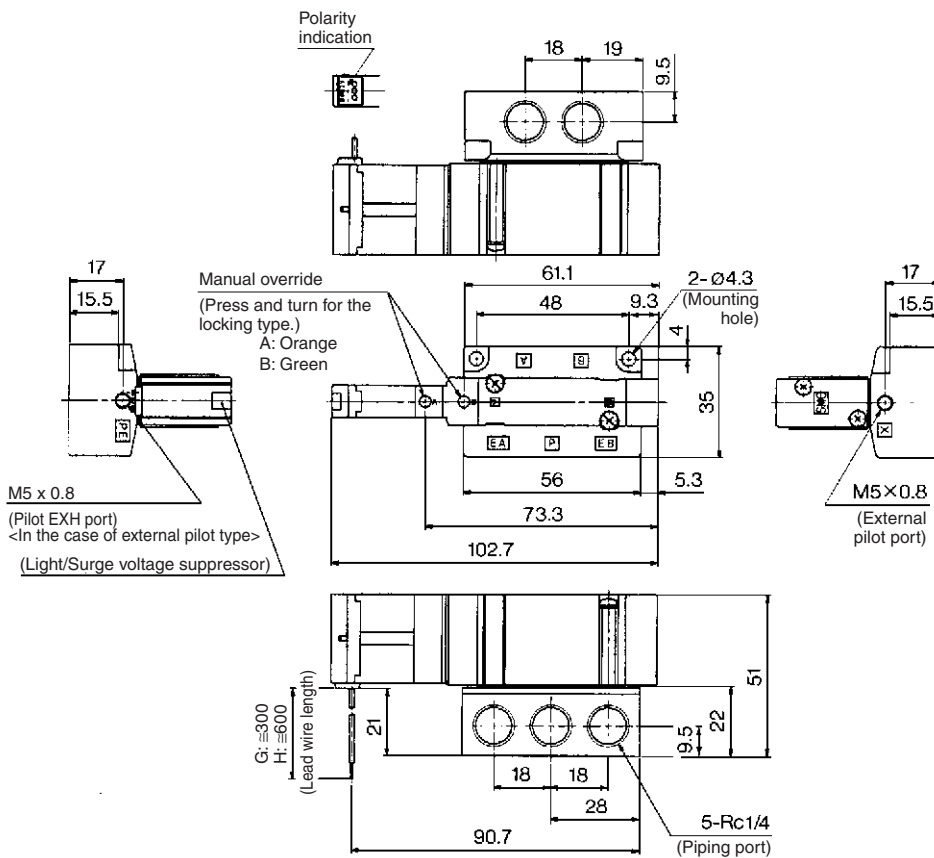


Series **SX3000/5000/7000**

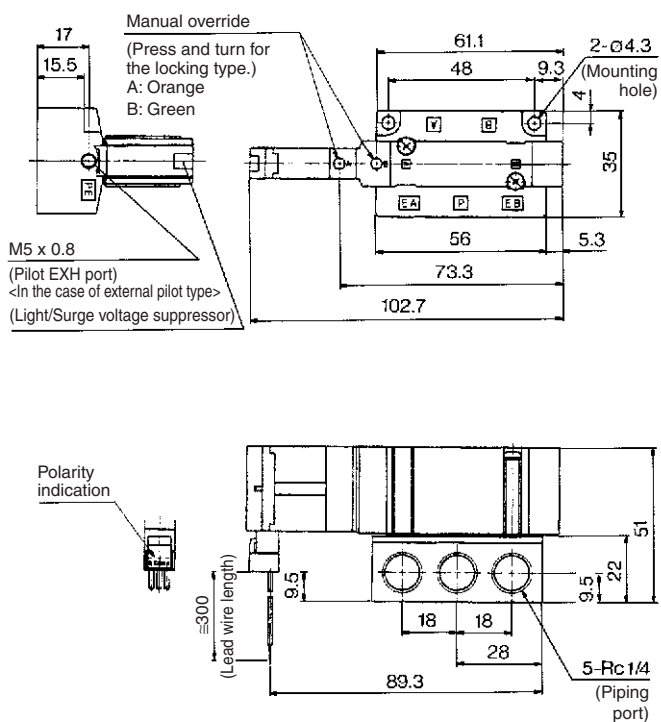
Dimensions: Series SX5000

2 position double

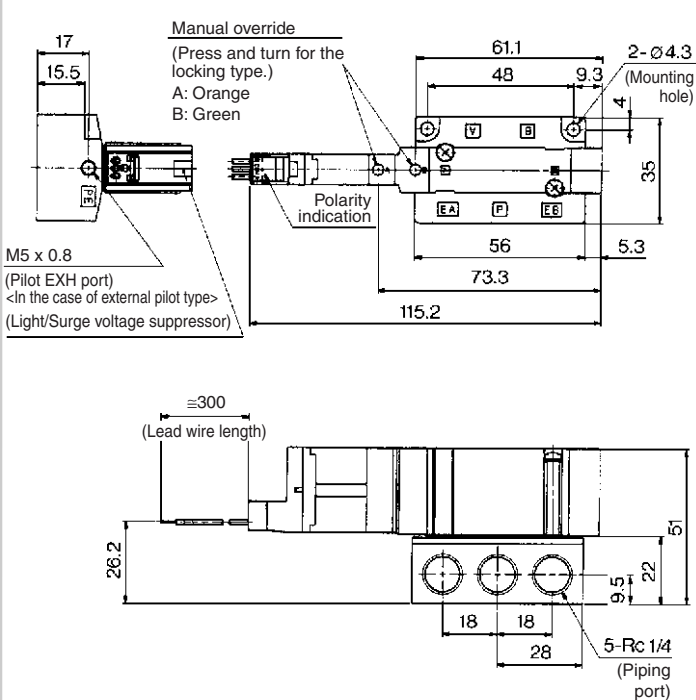
Grommet (G), (H): SX5240(R)-□^G□□-02



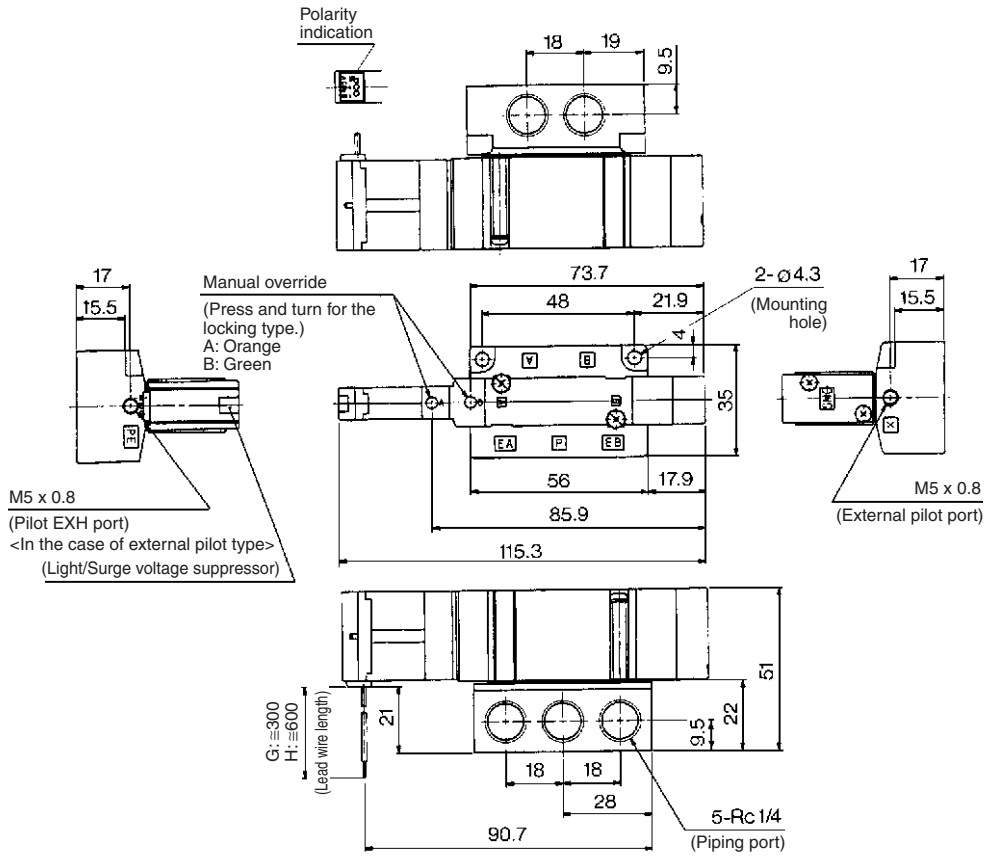
L plug connector (L): SX5240(R)-□L□□-02



M plug connector (M): SX5240(R)-□M□□-02



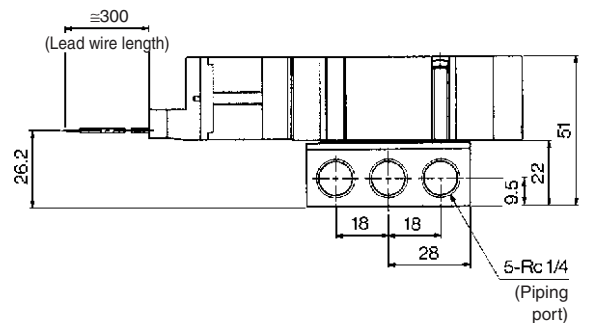
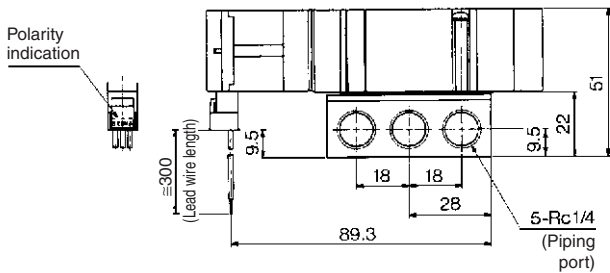
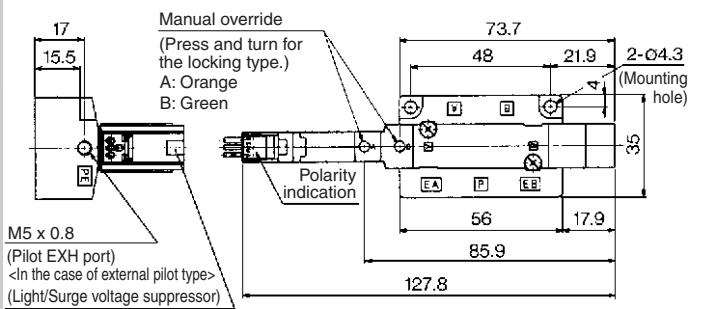
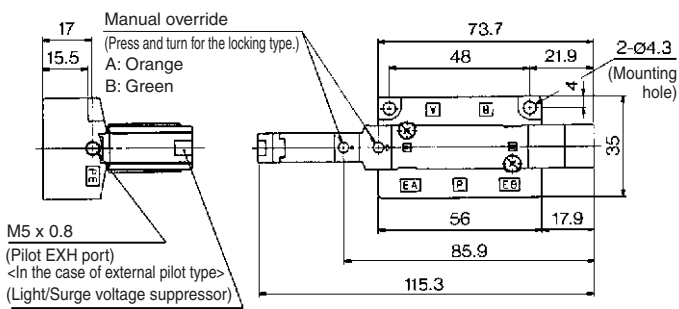
**3 position closed center/exhaust center/pressure center
Grommet (G), (H): SX5³/₄⁵40(R)-□_G□□-02**



- SV
- SZ
- SY
- SYJ
- SX

L plug connector (L): SX5³/₄⁵40(R)-□L □□02

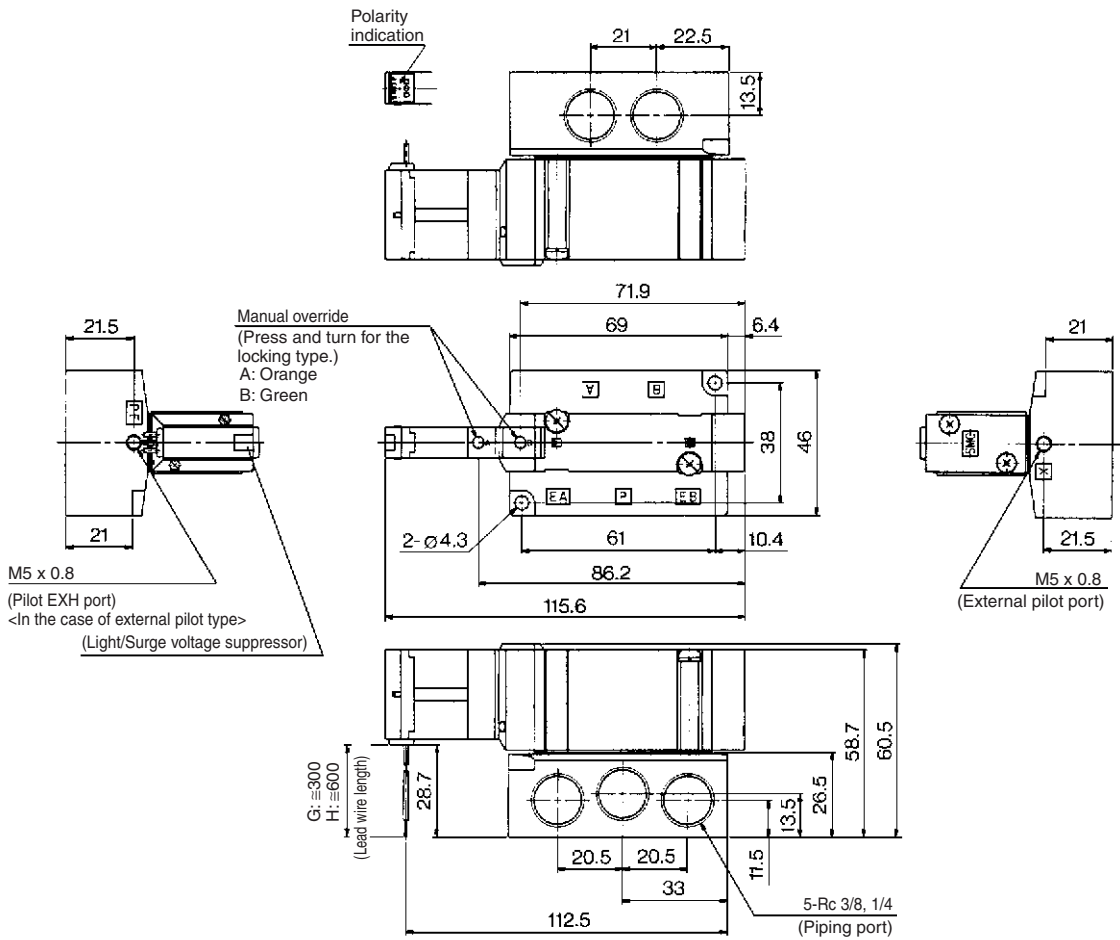
M plug connector (M): SX5³/₄⁵40(R)-□M □□02



Series **SX3000/5000/7000**

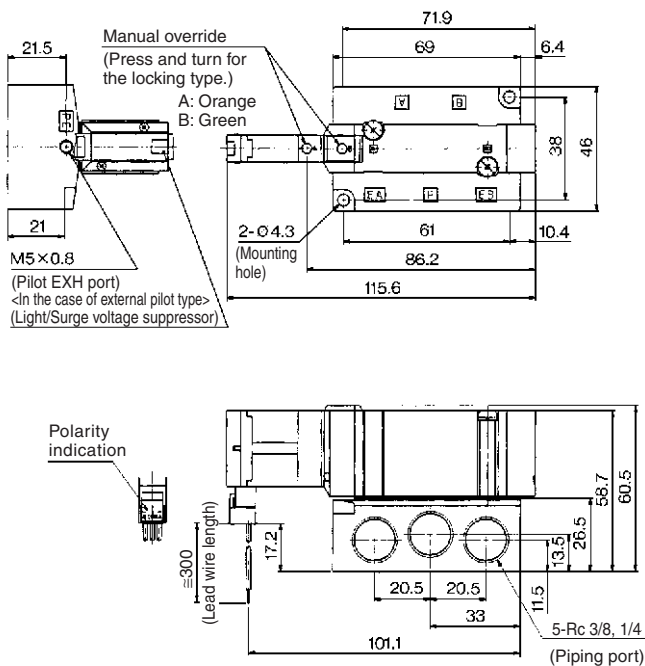
2 position double

Grommet (G), (H): **SX7240(R)-□^G□□-02**

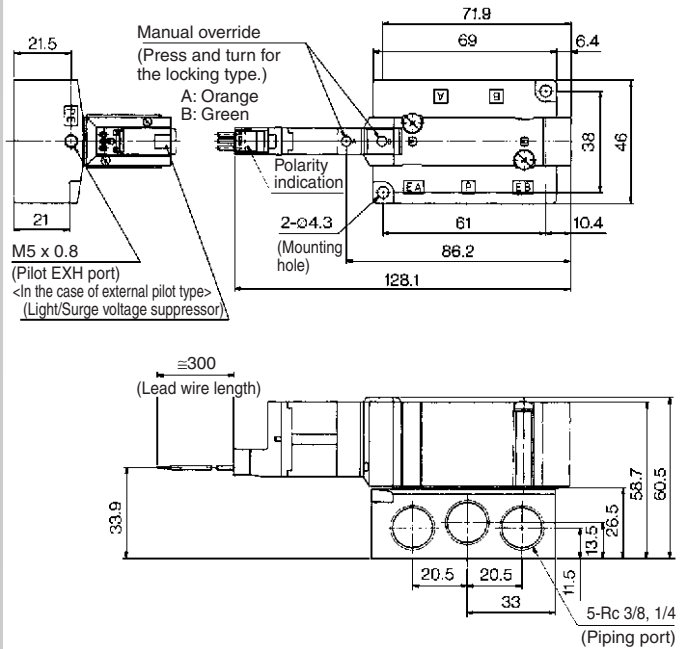


- SV
- SZ
- SY
- SYJ
- SX

L plug connector (L): **SX7240(R)-□L□□-02**



M plug connector (M): **SX7240(R)-□M□□-02**

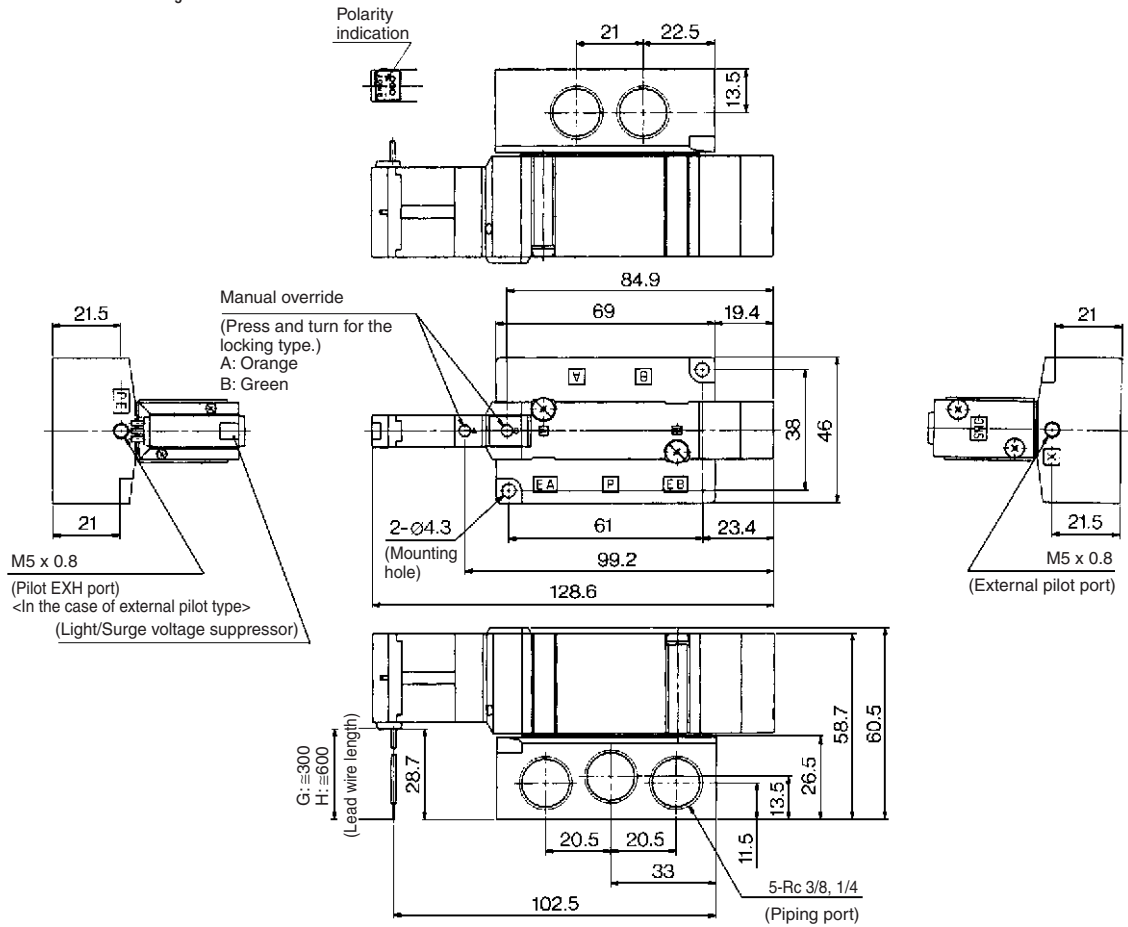


Series **SX3000/5000/7000**

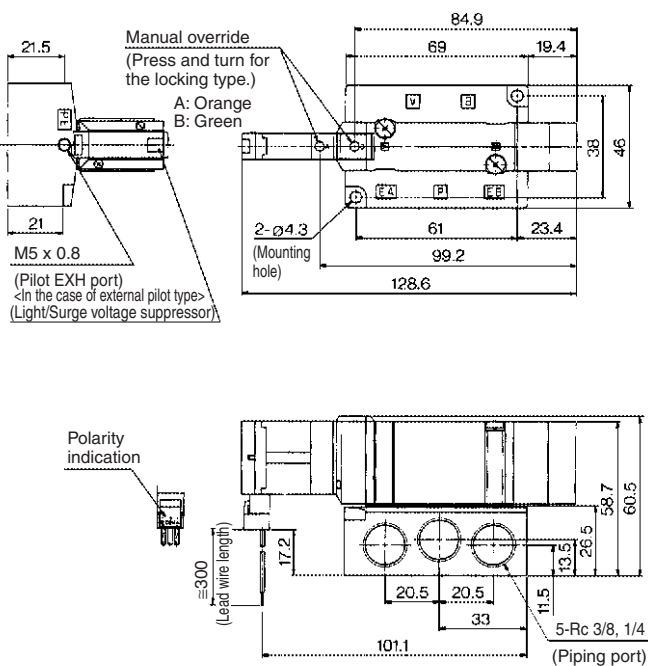
Dimensions: Series **SX7000**

3 position closed center/exhaust center/pressure center

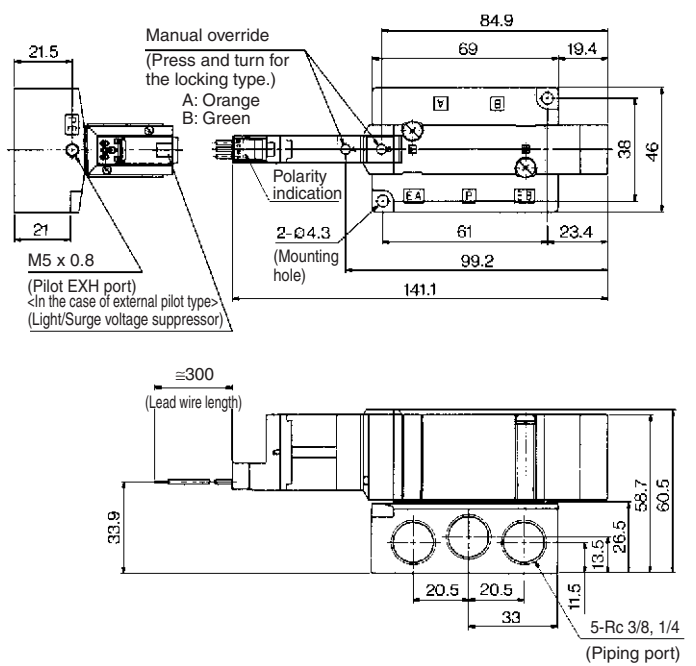
Grommet (G), (H): **SX³₄⁴₅40(R)-□^G□□-⁰²₀₃**



L plug connector (L): **SX³₄⁴₅40(R)-□L□□-⁰²₀₃**



M plug connector (M): **SX³₄⁴₅40(R)-□M□□-⁰²₀₃**



- SV
- SZ
- SY
- SYJ
- SX**

Courtesy of Steven Engineering, Inc.-230 Ryan Way, South San Francisco, CA 94080-6370-Main Office: (650) 588-9200-Outside Local Area: (800) 255-9200-www.stevenengineering.com

Series SX3000/5000/7000 Body Ported Manifold Bar Stock Type Individual Wiring

Type **20**

How to Order Manifold

SS5X **5** - 20 - **05**

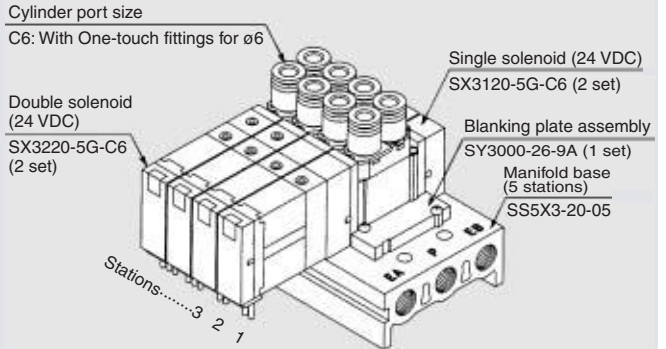
Series		Stations		P, R ports Thread type	
3	SX3000	02	2 stations	Nil	Rc
5	SX5000	:	:	00F	G
7	SX7000	20	20 stations	00N	NPT
				00T	NPTF



- Connector assembly for L and M types..... Refer to page 1-6-8.
- Common connector assembly for manifold..... Refer to page 1-6-9.

How to Order Valve Manifold Assembly

Ordering example



SS5X3-20-05..... 1 set (Type 20, 5-station manifold base part no.)
 *SY3000-26-9A..... 1 set (Blanking plate assembly part no.)
 *SX3120-5G-C6..... 2 sets (Single solenoid part no.)
 *SX3220-5G-C6..... 2 sets (Double solenoid part no.)

* The asterisk denotes the symbol for assembly. Prefix it to the part nos. of the solenoid valve, etc.

Add the valve and option part number under the manifold base part number. In the case of complex arrangement, specify them on the manifold specification sheet.

How to Order Valves

SX **5** **1** 20 - **5** **N** **L** - **01**

Series	
3	SX3000
5	SX5000
7	SX7000

Type of actuation	
1	2 position single
2	2 position double
3	3 position closed center
4	3 position exhaust center
5	3 position pressure center

Rated voltage	
5	24 VDC
6	12 VDC
V	6 VDC
S	5 VDC
R	3 VDC

A, B port size			Thread type	
Symbol	Port size	Applicable series	Nil	Rc
M5	M5 x 0.8	SX3000	F	G
C4	One-touch fitting for ø4		N	NPT
C6	One-touch fitting for ø6		T	NPTF
01	1/8	SX5000		
C4	One-touch fitting for ø4			
C6	One-touch fitting for ø6			
C8	One-touch fitting for ø8	SX7000		
02	1/4			
C8	One-touch fitting for ø8			
C10	One-touch fitting for ø10			

Manual override	
Nil	Non-locking push type
D	Push-turn locking slotted type

Common specifications	
Nil	Positive common
N	Negative common

Electrical entry		
Grommet	L plug connector	M plug connector
G: Lead wire length 300 mm	L: With lead wire (Length 300 mm)	M: With lead wire (Length 300 mm)
H: Lead wire length 600 mm	LN: Without lead wire	MN: Without lead wire
	LO: Without connector	MO: Without connector

Note) Put nothing for single grommet style and single without indicator light and surge voltage suppressor.

* The LN or MN option includes 2 sockets for single solenoid valves and 3 sockets for double solenoid valves.

Light/Surge voltage suppressor	
Nil	Without light/surge voltage suppressor
S	With surge voltage suppressor
Z	With light/surge voltage suppressor

Series **SX3000/5000/7000**

Manifold Specifications

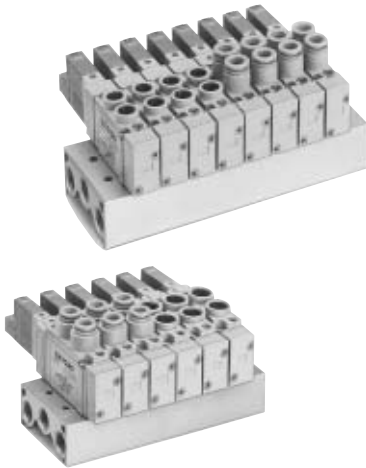
Model	SS5X3-20	SS5X5-20	SS5X7-20	
Applicable valve	SX3□20	SX5□20	SX7□20	
Manifold type	Single base/B mount			
P (SUP)/R (EXH)	Common SUP/Common EXH			
Valve stations <small>Note</small>	2 to 20 stations			
A, B port location	Valve			
Port size	P, EA, EB port	Rc 1/8	Rc 1/4	Rc 1/4
	A, B port	M5 x 0.8 C4 (One-touch fitting for ø4) C6 (One-touch fitting for ø6)	Rc 1/8 C4 (One-touch fitting ø4) C6 (One-touch fitting for ø6) C8 (One-touch fitting for ø8)	Rc 1/4 C8 (One-touch fitting for ø8) C10 (One-touch fitting for ø10)
Manifold base weight W (g) n: Stations	W = 19n + 45	W = 43n + 77	W = 51n + 81	

Note) For more than 10 stations, supply pressure to P port on both sides and exhaust from EA and EB port on both sides.

Flow Characteristics

Model	Port size		Flow characteristics					
			1 → 4/2 (P → A/B)			4/2 → 5/3 (A/B → EA/EB)		
	1, 5, 3 (P, EA, EB)	4, 2 (A, B)	C [dm ³ / (s-bar)]	b	Cv	C [dm ³ / (s-bar)]	b	Cv
SS5X3-20	Rc 1/8	C6	0.72	0.29	0.18	0.80	0.36	0.21
SS5X5-20	Rc 1/4	C8	1.9	0.28	0.48	2.2	0.20	0.53
SS5X7-20	Rc 1/4	C10	3.6	0.31	0.93	3.6	0.27	0.88

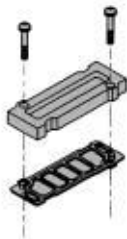
Note) The value is for manifold base with 5 stations and individually operated 2 position type.



SV
SZ
SY
SYJ
SX

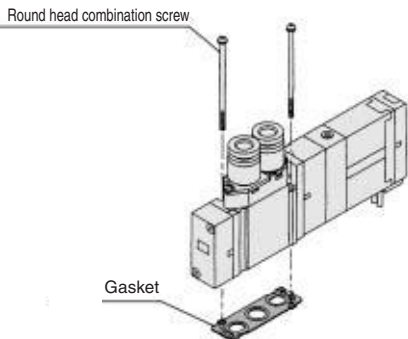
Manifold Option

■ Blanking plate assembly



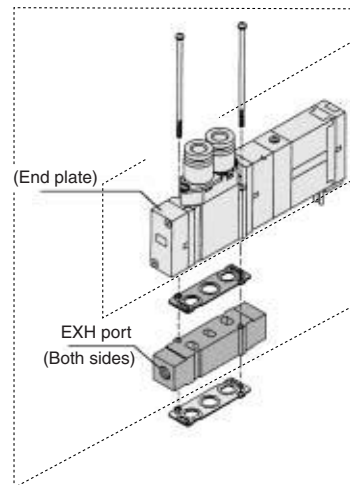
Series	Assembly part no.
SX3000	SY3000-26-9A
SX5000	SY5000-26-20A
SX7000	SY7000-26-22A

■ Bolt and gasket part no.



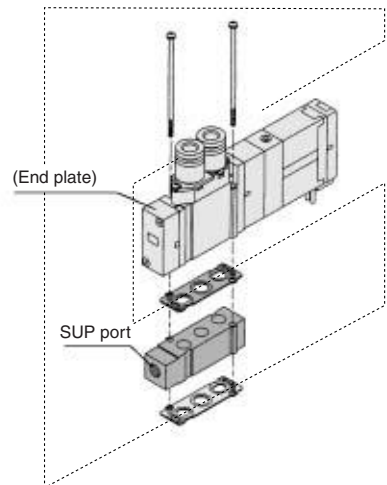
Series	Round head combination screw	Gasket
SX3000	SX3000-22-2 (M2 x 24)	SY3000-11-24
SX5000	M3 x 30 (Matt nickel plated)	SY5000-11-10
SX7000	M4 x 35 (Matt nickel plated)	SY7000-11-9

■ Individual EXH spacer assembly



Series	Assembly part no.	Port size
SX3000	SX3000-39-1□A	M5 x 0.8
SX5000	SX5000-39-1□A	1/8
SX7000	SX7000-39-20A	1/4

■ Individual SUP spacer assembly



Series	Assembly part no.	Port size
SX3000	SX3000-38-1□A	M5 x 0.8
SX5000	SX5000-38-1□A	Rc 1/8
SX7000	SX7000-38-20A	Rc 1/4

■ Plug

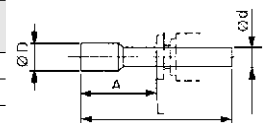
Inserted into an unused cylinder port and SUP/EXH ports. Purchasing order is available in units of 10 pieces.

Note) The SUP port may be either on the lead wire side or on the end plate side. (Factory assembled spacer will be shipped with the orientation shown in the figure.)

* Thread type	
Nil	Rc
F	G
N	NPT
T	NPTF

Dimensions

Applicable fitting ød	Model	A	L	D
4	KQ2P-04	16	32	6
6	KQ2P-06	18	35	8
8	KQ2P-08	20.5	39	10
10	KQ2P-10	22	43	12
5/32"	KQ2P-03	16	32	6
1/4"	KQ2P-07	18	35	8.5
5/16"	KQ2P-09	20.5	39	10
3/8"	KQ2P-11	22	43	11.5



Caution

Mounting Screw Tightening Torques

- M2: 0.17 N·m
- M3: 0.8 N·m
- M4: 1.4 N·m

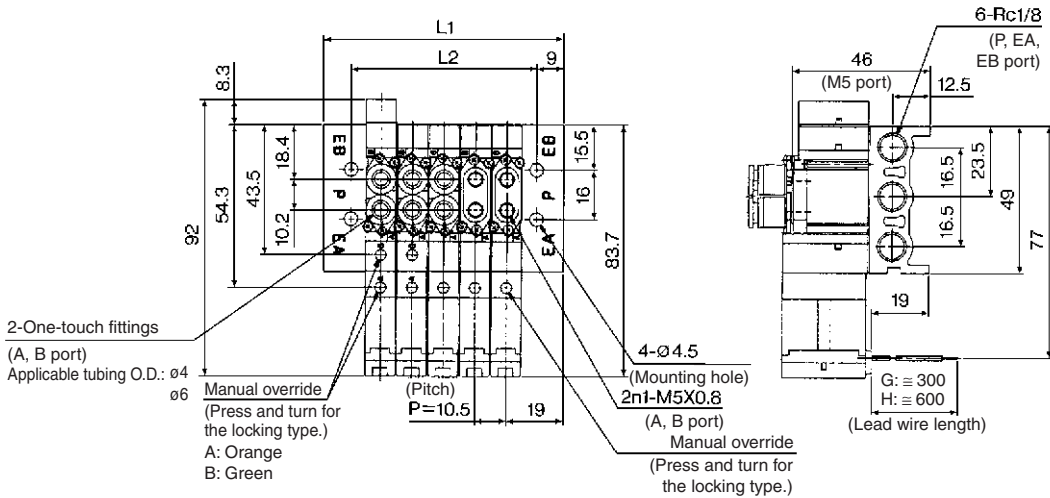
Warning

When mounting a valve or spacer on the manifold base or sub-plate, etc., those mounting directions are determined. If mounted in the wrong direction, the equipment to be connected may cause malfunction. Refer to external dimensions in pages 1-6-44 to 1-6-46, and then mount it.

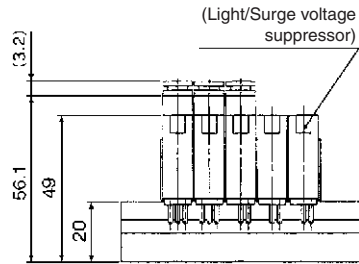


SX3000: SS5X3-20- Stations

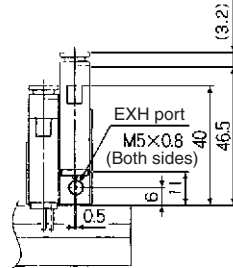
Grommet (G)



(n) (2) (1) stations

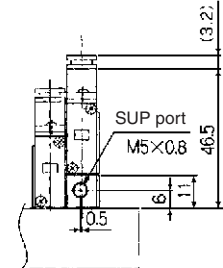


Individual EXH spacer mounting size

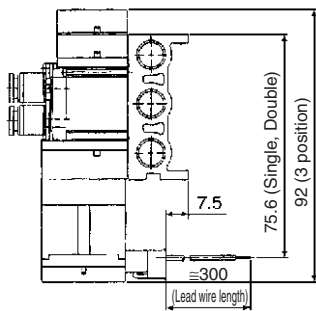


Individual SUP spacer mounting size

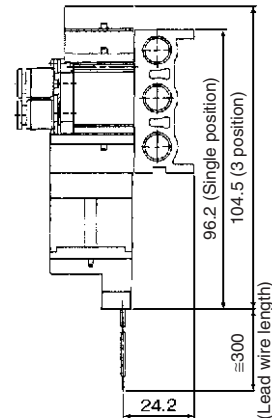
(SUP port is mounted on the end plate side of single solenoid.)



L plug connector (L)



M plug connector (M)



n: Stations (n1 + n2)

Stations n	2 stations	3	4	5	6	7	8	9	10	11	12	13	14	15	16	17	18	19	20 stations
L1	48.5	59	69.5	80	90.5	101	111.5	122	132.5	143	153.5	164	174.5	185	195.5	206	216.5	227	237.5
L2	30.5	41	51.5	62	72.5	83	93.5	104	114.5	125	135.5	146	156.5	167	177.5	188	198.5	209	219.5

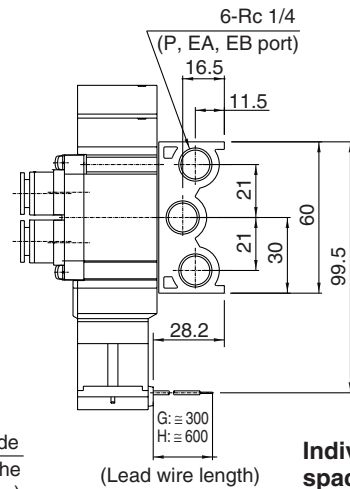
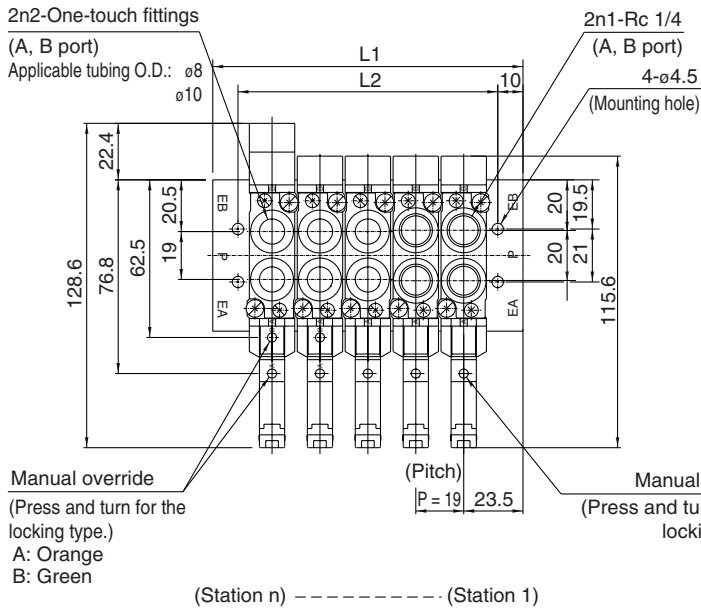
SX7000: SS5X7-20- Stations

Grommet (G)

2n2-One-touch fittings

(A, B port)

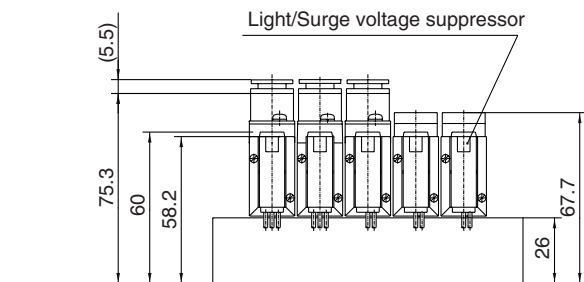
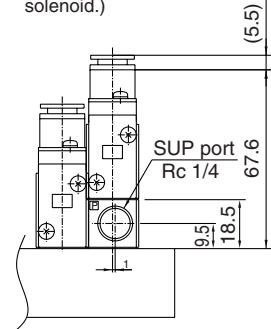
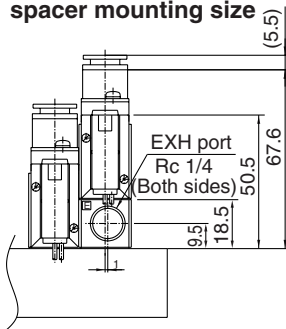
Applicable tubing O.D.: $\phi 8$
 $\phi 10$



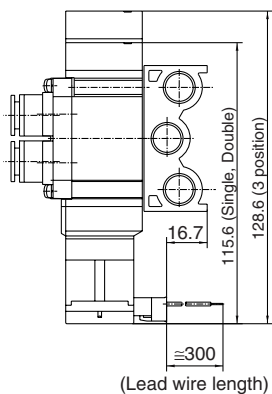
Individual SUP spacer mounting size

(SUP port is mounted on the end plate side of single solenoid.)

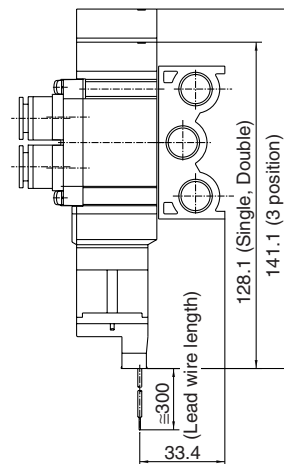
Individual EXH spacer mounting size



L plug connector (L)



M plug connector (M)



n: Stations (n1 + n2)

Stations n	2 stations	3	4	5	6	7	8	9	10	11	12	13	14	15	16	17	18	19	20 stations
L1	66	85	104	123	142	161	180	199	218	237	256	275	294	313	332	351	370	389	408
L2	46	65	84	103	122	141	160	179	198	217	236	255	274	293	312	331	350	369	388

- SV
- SZ
- SY
- SYJ
- SX**

Courtesy of Steven Engineering, Inc.-230 Ryan Way, South San Francisco, CA 94080-6370-Main Office: (650) 588-9200-Outside Local Area: (800) 255-9200-www.stevenengineering.com



Series SX3000/5000/7000 Body Ported Manifold Bar Stock Type Flat Ribbon Cable

Type **20P**
N

How to Order Manifold

SS5X 5 - 20 P - 05

Series

3	SX3000
5	SX5000
7	SX7000

Stations

03	3 stations
...	...
12	12 stations

Note) For SS5X3:
4 to 12 stations.

P, R ports Thread type

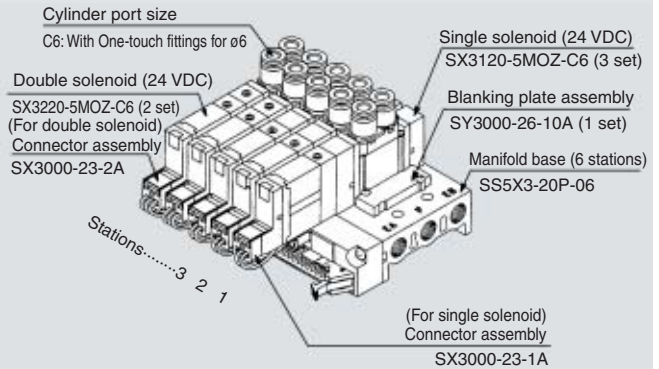
Nil	Rc
00F	G
00N	NPT
00T	NPTF

Common specifications

P	Positive common
N	Negative common

How to Order Valve Manifold Assembly

Ordering example



SS5X3-20P-06..... 1 set (Type 20P, 6-station manifold no.)
 *SY3000-26-10A.....1 set (Blanking plate assembly part no.)
 *SX3120-5MOZ-C6... 3 sets (Single solenoid part no.)
 *SX3220-5MOZ-C6... 2 sets (Double solenoid part no.)
 *SX3000-23-1A..... 3 sets (Connector assembly no.)
 *SX3000-23-2A..... 2 sets (Connector assembly no.)

* The asterisk denotes the symbol for assembly. Prefix it to the part nos. of the solenoid valve, etc.

Add the valve and option part number under the manifold base part number. In the case of complex arrangement, specify them on the manifold specification sheet.

How to Order Valves

SX 5 1 20 - 5 N MOZ

Series

3	SX3000
5	SX5000
7	SX7000

Rated voltage

5	24 VDC
6	12 VDC

Type of actuation

1	2 position single
2	2 position double
3	3 position closed center
4	3 position exhaust center
5	3 position pressure center

Common specifications

Nil	Positive common
N	Negative common

* Common specifications for the valve must correspond with common specifications for the manifold.

Thread type

Nil	Rc
F	G
N	NPT
T	NPTF

A/B port size

Symbol	Port size	Applicable series
M5	M5 x 0.8	SX3000
01	1/8	SX5000
02	1/4	SX7000

Thread piping

One-touch fitting (Metric size)

Symbol	Port size	Applicable series
C4	One-touch fitting for ø4	SX3000
C6	One-touch fitting for ø6	
C4	One-touch fitting for ø4	SX5000
C6	One-touch fitting for ø6	
C8	One-touch fitting for ø8	SX7000
C8	One-touch fitting for ø8	
C10	One-touch fitting for ø10	

One-touch fitting (Inch size)

Symbol	Port size	Applicable series
N3	One-touch fitting for ø5/32"	SX3000
N7	One-touch fitting for ø1/4"	
N3	One-touch fitting for ø5/32"	SX5000
N7	One-touch fitting for ø1/4"	
N9	One-touch fitting for ø5/16"	SX7000
N9	One-touch fitting for ø5/16"	
N11	One-touch fitting for ø3/8"	

How to Order Connector Assembly

- Positive common specifications
For single solenoid: SX3000-23-1A
For double solenoid, 3 position: SX3000-23-2A
- Negative common specifications
For single solenoid: SX3000-24-1A
For double solenoid, 3 position: SX3000-24-2A

Manual override

Nil	Non-locking push type
D	Push-turn locking slotted type

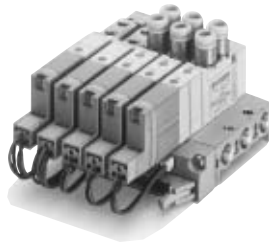


For detailed information on connector assembly, refer to page 1-6-9.

Series **SX3000/5000/7000**

- Multiple valve wiring is simplified through the use of the flat cable connector.
- Clean appearance

In the case of a flat cable style, each valve is wired on the print board of manifold base to allow the external wiring to be piped all together with 26 pins MIL connector.



Manifold Specifications

Model	SS5X3-20P _N	SS5X5-20P _N	SS5X7-20P _N	
Applicable valve	SX3□20	SX5□20	SX7□20	
Manifold type	Single base/B mount			
P (SUP), R (EXH)	Common SUP/Common EXH			
Valve stations Note (1)	4 to 12 stations	3 to 12 stations		
A, B port location	Valve			
Port size	P, EA, EB port	1/8	1/4	1/4
	A, B port	M5 x 0.8 C4 (One-touch fitting for ø4) C6 (One-touch fitting for ø6)	1/8 C4 (One-touch fitting for ø4) C6 (One-touch fitting for ø6) C8 (One-touch fitting for ø8)	1/4 C8 (One-touch fitting for ø8) C10 (One-touch fitting for ø10)
Manifold base weight W (g) n: Stations	W = 19n + 45	W = 43n + 77	W = 51n + 81	
Applicable flat ribbon cable connector	Socket: 26 pins MIL with strain relief (Conforming to MIL-C-83503)			
Internal wiring (2)	+COM (Type 20P), -COM (Type 20N)			
Rated voltage	12, 24 VDC			

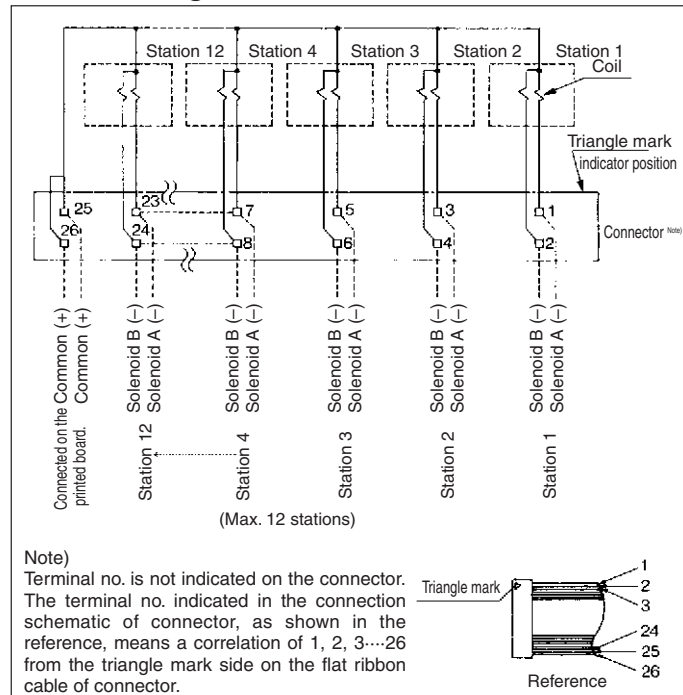
- Note 1) For more than 10 stations (more than 5 stations in case of SS5X7), supply pressure to P port on both sides and exhaust from EA and EB port on both sides.
 Note 2) The withstand voltage specification for the wiring unit section is JIS C 0704, Grade 1 or its equivalent.

Flow Characteristics

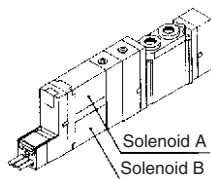
Model	Port size		Flow characteristics					
			1 → 4/2 (P → A/B)			4/2 → 5/3 (A/B → EA/EB)		
	1, 5, 3 (P, EA, EB)	4, 2 (A, B)	C [dm ³ / (s-bar)]	b	Cv	C [dm ³ / (s-bar)]	b	Cv
SS5X3-20P _N	Rc 1/8	C6	0.72	0.29	0.18	0.80	0.36	0.21
SS5X5-20P _N	Rc 1/4	C8	1.9	0.28	0.48	2.2	0.20	0.53
SS5X7-20P _N	Rc 1/4	C10	3.6	0.31	0.93	3.6	0.27	0.88

Note) The value is for manifold base with 5 stations and individually operated 2 position type.

Internal Wiring of Manifold



- For more than 9 stations, both poles of the common should be wired.
- For single solenoid, connect to the solenoid A side.
- The maximum number of stations is 12. If more than 12 stations are required, please consult with SMC.
- -COM and +COM specifications are available. (Diagram above is for +COM specifications.)

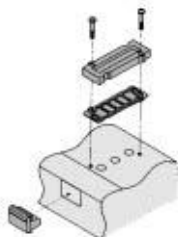


SV
SZ
SY
SYJ
SX

Courtesy of Steven Engineering, Inc.-230 Ryan Way, South San Francisco, CA 94080-6370-Main Office: (650) 588-9200-Outside Local Area: (800) 258-9200-www.stevenengineering.com

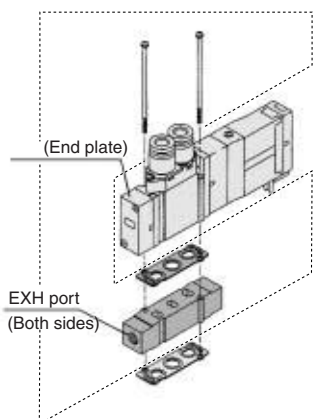
Manifold Option

■ Blanking plate assembly



Series	Assembly part no.
SX3000	SY3000-26-10A
SX5000	SY5000-26-21A
SX7000	SY7000-26-23A

■ Individual EXH spacer assembly



Series	Assembly part no.	Port size
SX3000	SX3000-39-20A	M5 x 0.8
SX5000	SX5000-39-1□A	1/8
SX7000	SX7000-39-1□A	1/4

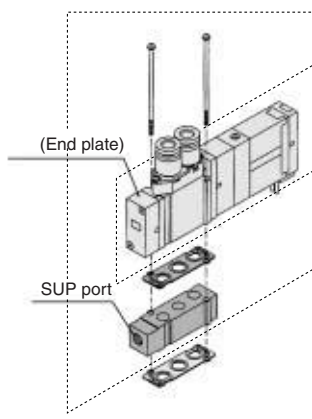
Note) For protection of the wiring unit section from drain, it should be piped at the EA port so that it will not be directly exposed to exhaust from the valve.

⚠ Caution

Mounting screw tightening torques

M2: 0.17 N·m
M3: 0.8 N·m
M4: 1.4 N·m

■ Individual SUP spacer assembly



Series	Assembly part no.	Port size
SX3000	SX3000-38-20A	M5 x 0.8
SX5000	SX5000-38-1□A	1/8
SX7000	SX7000-38-1□A	1/4

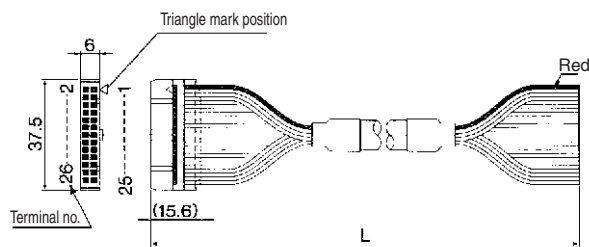
Note) The SUP port may be either on the lead wire side or on the end plate side (Factory assembled spacer will be shipped with the orientation shown in the figure.)

* Thread type

Nil	Rc
F	G
N	NPT
T	NPTF

■ Cable assembly

AXT100-FC26-¹/₃



Connector Assembly for Flat Ribbon Cable

Cable length (L)	Assembly part no.	Note
1.5 m	AXT100-FC26-1	Cable 26 cores x 28AWG
3 m	AXT100-FC26-2	
5 m	AXT100-FC26-3	

* For other commercial connectors, use a 26 pins type with strain relief conforming to MIL-C-83503.

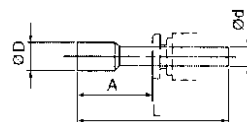
Connector manufacturers' example

- Hirose Electric Co., Ltd.
- Japan Aviation Electronics Industry, Ltd.
- Sumitomo 3M Limited
- J.S.T. Mfg. Co., Ltd.
- Fujitsu Limited

■ Plug

These are inserted in cylinder ports or SUP/EXH ports which are not being used.

Purchasing order is available in units of 10 pieces.



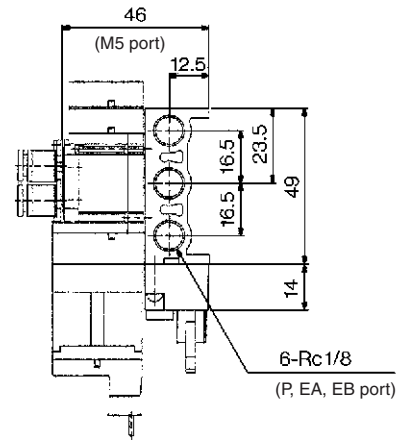
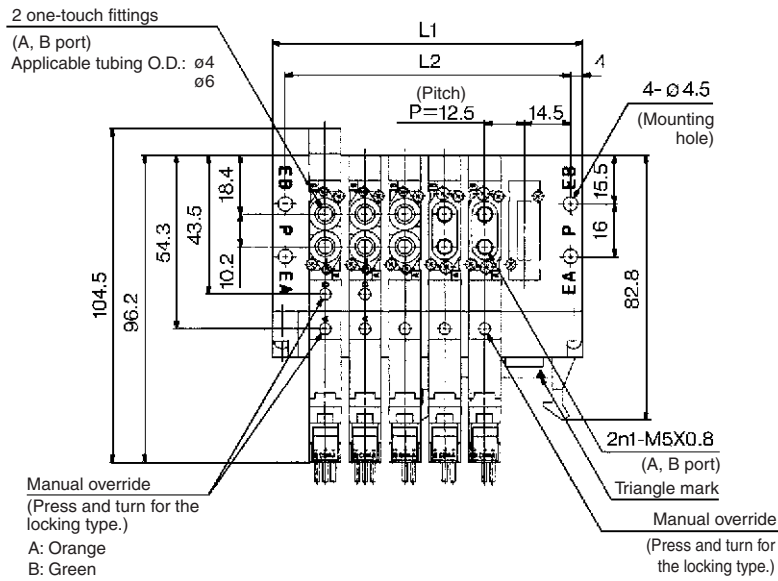
Dimensions

Applicable fittings fitting ød	Model	A	L	D
4	KQ2P-04	16	32	6
6	KQ2P-06	18	35	8
8	KQ2P-08	20.5	39	10
10	KQ2P-10	22	43	12
5/32"	KQ2P-03	16	32	6
1/4"	KQ2P-07	18	35	8.5
5/16"	KQ2P-09	20.5	39	10
3/8"	KQ2P-11	22	43	11.5

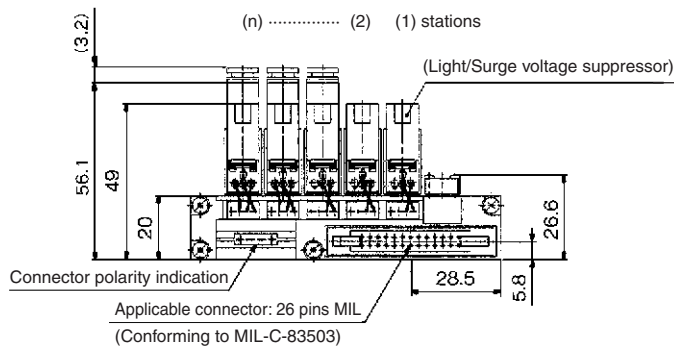
⚠ Warning

When mounting a valve or spacer on the manifold base or sub-plate, etc., those mounting directions are determined. If mounted in the wrong direction, the equipment to be connected may cause malfunction. Refer to external dimensions in pages 1-6-51 to 1-6-53, and then mount it.

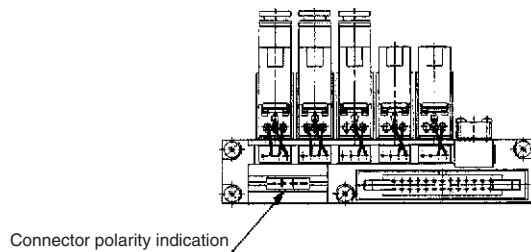
SX3000: SS5X3-20P- Stations



- SV
- SZ
- SY
- SYJ
- SX



SS5X3-20N



n: Stations (n1 + n2)

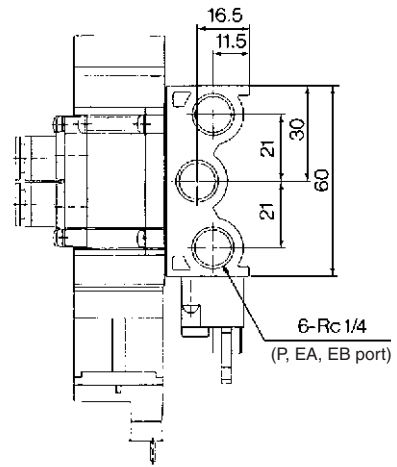
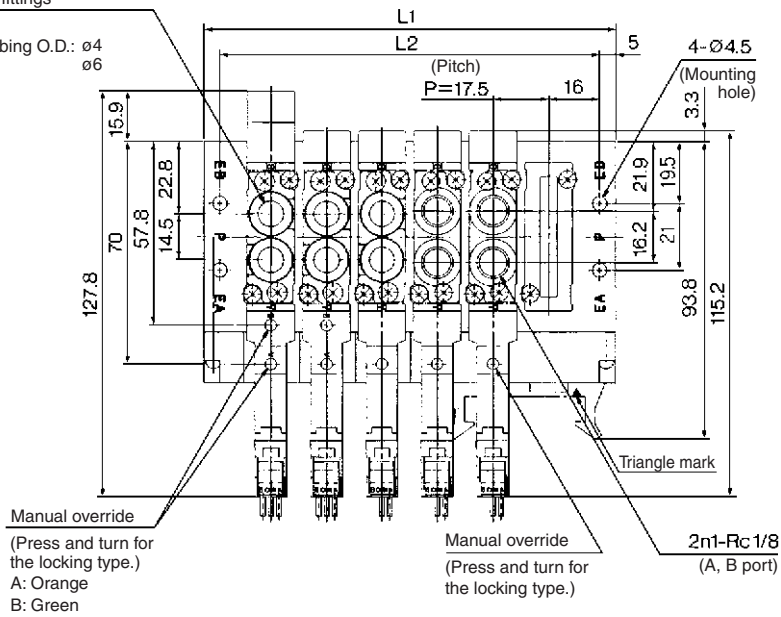
Stations n	4	5	6	7	8	9	10	11	12
L1	72.5	85	97.5	110	122.5	135	147.5	160	172.5
L2	64.5	77	89.5	102	114.5	127	139.5	152	164.5

SX5000: SS5X5-20P- Stations

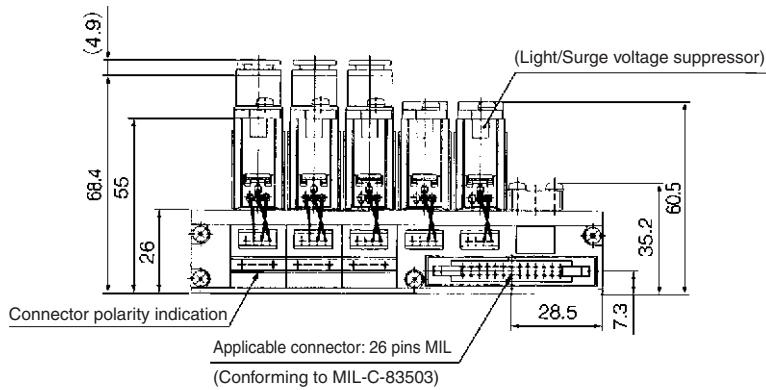
2-One-touch fittings

(A, B port)

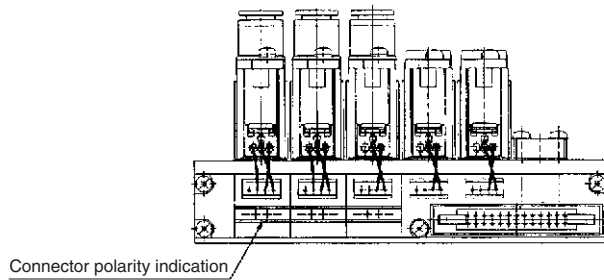
Applicable tubing O.D.: $\phi 4$
 $\phi 6$



(n) (2) (1) stations



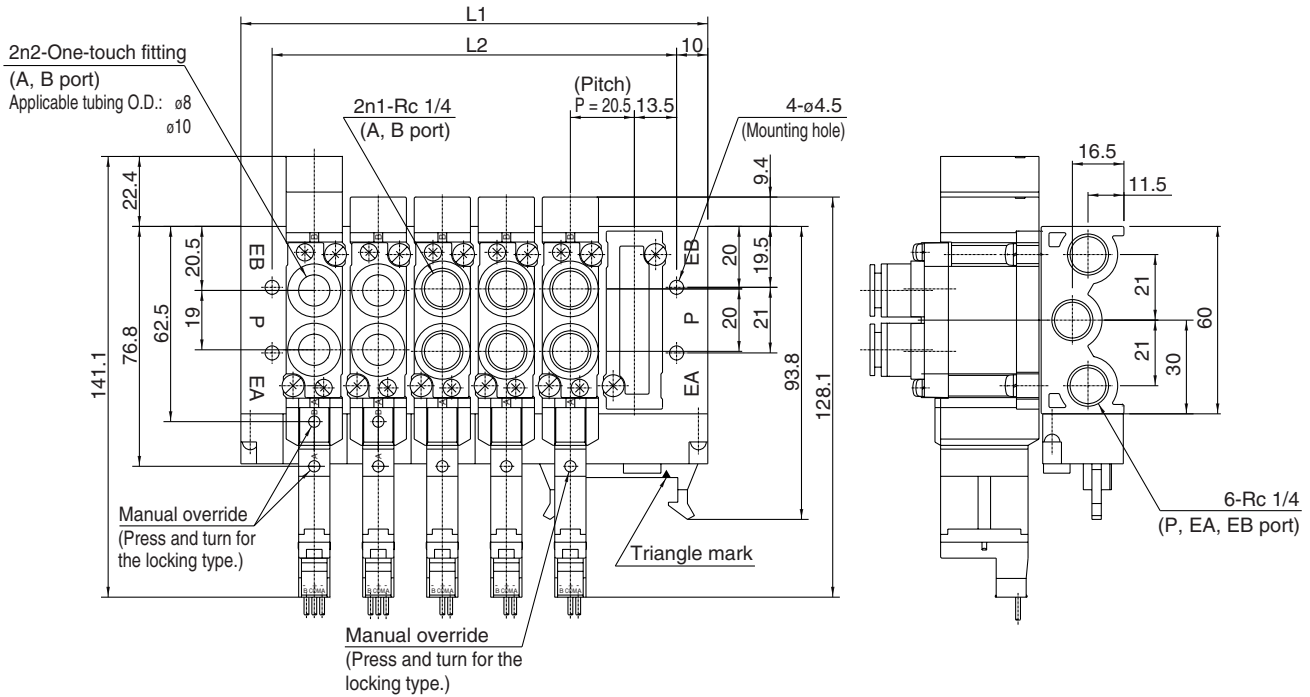
SS5X5-20N



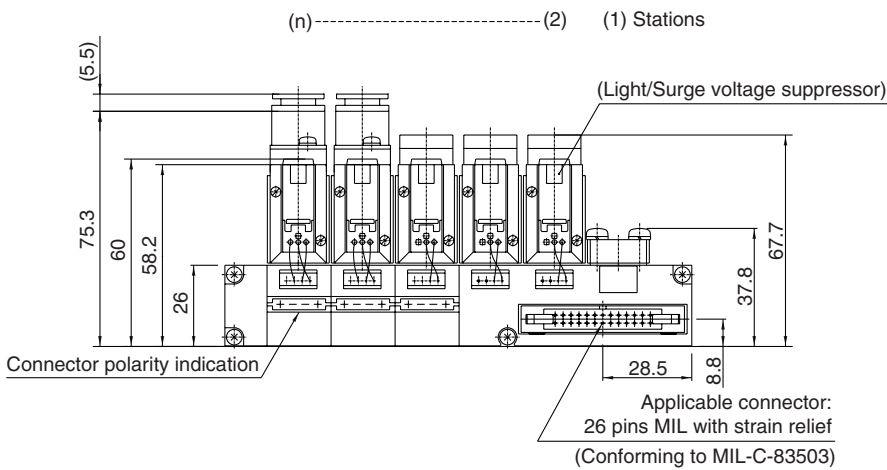
n: Stations (n1 + n2)

Stations n	3	4	5	6	7	8	9	10	11	12
L1	77	94.5	112	129.5	147	164.5	182	199.5	217	234.5
L2	67	84.5	102	119.5	137	154.5	172	189.5	207	224.5

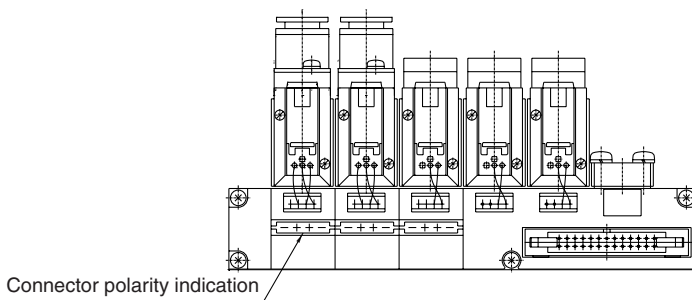
SX7000: SS5X7-20P- Stations



- SV
- SZ
- SY
- SYJ
- SX



SS5X7-20N



n: Stations (n1 + n2)

Stations n	3	4	5	6	7	8	9	10	11	12
L1	88	108.5	129	149.5	170	190.5	211	231.5	252	272.5
L2	68	88.5	109	129.5	150	170.5	191	211.5	232	252.5

Type **41**
Type **42**

Series SX3000/5000/7000 Base Mounted Manifold Bar Stock Type Individual Wiring

How to Order Manifold

Type 41 (Compact type)

SS5X **5** - 41 - **05** - **C8** □

Series

3	SX3000
5	SX5000

Stations

02	2 stations
⋮	⋮
20	20 stations

A/B port size
Thread piping

Symbol	Port size	Applicable series
M5	M5 x 0.8	SX3000
01	1/8	SX5000

Thread type

Nil	Rc
F	G
N	NPT
T	NPTF

One-touch fitting (Metric size)

Symbol	Port size	Applicable series
C4	One-touch fitting for ø4	SX3000
C6	One-touch fitting for ø6	
C6	One-touch fitting for ø6	SX5000
C8	One-touch fitting for ø8	

One-touch fitting (Inch size)

Symbol	Port size	Applicable series
N3	One-touch fitting for ø5/32"	SX3000
N7	One-touch fitting for ø1/4"	
N7	One-touch fitting for ø1/4"	SX5000
N9	One-touch fitting for ø5/16"	

Type 42 (Common external pilot type)

SS5X **5** - 42 - **05** - **C8** □

Series

3	SX3000
5	SX5000
7	SX7000

Stations

02	2 stations
⋮	⋮
20	20 stations

A/B port size
Thread piping

Symbol	Port size	Applicable series
01	1/8	SX3000
02	1/4	SX5000
02	1/4	SX7000

Thread type

Nil	Rc
F	G
N	NPT
T	NPTF

One-touch fitting (Metric size)

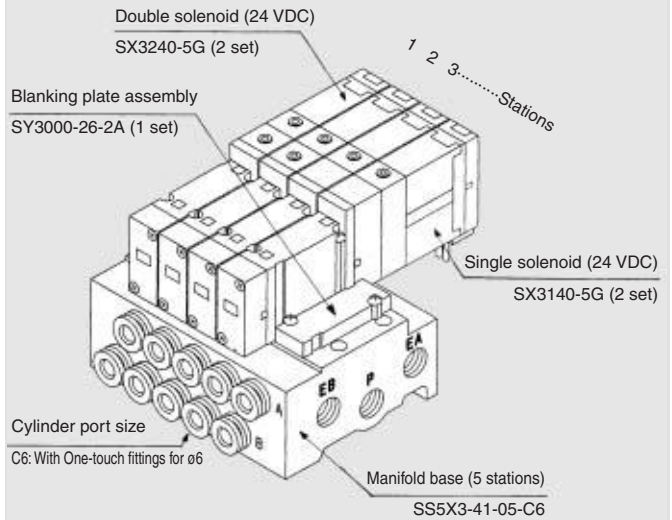
Symbol	Port size	Applicable series
C4	One-touch fitting for ø4	SX3000
C6	One-touch fitting for ø6	
C6	One-touch fitting for ø6	SX5000
C8	One-touch fitting for ø8	
C10	One-touch fitting for ø10	SX7000

One-touch fitting (Inch size)

Symbol	Port size	Applicable series
N3	One-touch fitting for ø5/32"	SX3000
N7	One-touch fitting for ø1/4"	
N7	One-touch fitting for ø1/4"	SX5000
N9	One-touch fitting for ø5/16"	
N11	One-touch fitting for ø3/8"	SX7000

How to Order Valve Manifold Assembly

Ordering example



SS5X3-41-05-C6..... 1 set (Type 41, 5-station manifold base part no.)
 *SX3240-5G 2 sets (Double solenoid part no.)
 *SX3140-5G 2 sets (Single solenoid part no.)
 *SY3000-26-9A 1 set (Blanking plate assembly part no.)

* The asterisk denotes the symbol for assembly. Prefix it to the part nos. of the solenoid valve, etc.

Add the valve and option part number under the manifold base part number. In the case of complex arrangement, specify them on the manifold specification sheet.



- Connector assembly for L and M types.....Refer to page 1-6-8.
- Common connector ass'y for manifold.....Refer to page 1-6-9.

How to Order Valves

SX 5 2 40 [] - 5 N L [] []

● **Series**

3	SX3000
5	SX5000
7	SX7000

● **Type of actuation**

1	2 position single
2	2 position double
3	3 position closed center
4	3 position exhaust center
5	3 position pressure center

● **Pilot type**

Nil	Internal pilot
R	External pilot

● **Rated voltage**

5	24 VDC
6	12 VDC
V	6 VDC
S	5 VDC
R	3 VDC

● **Manual override**

Nil	Non-locking push type
D	Push-turn locking slotted type

● **Light/Surge voltage suppressor**

Nil	Without light/surge voltage suppressor
S	With surge voltage suppressor
Z	With light/surge voltage suppressor

● **Electrical entry**

Grommet	L plug connector	M plug connector
G: Lead wire length 300 mm	L: With lead wire (Length 300 mm)	M: With lead wire (Length 300 mm)
H: Lead wire length 600 mm	LN: Without lead wire	MN: Without lead wire
	LO: Without connector	MO: Without connector

* The LN or MN option includes 2 sockets for single solenoid valves and 3 sockets for double solenoid valves.

● **Common specifications**

Nil	Positive common
N	Negative common

Note) Put nothing for single grommet style and single without indicator light and surge voltage suppressor.

SV
SZ
SY
SYJ
SX



Manifold Specifications

Model	SS5X3-41	SS5X3-42	SS5X5-41	SS5X5-42	SS5X7-42
Applicable valve	SX3□40	SX3□40(R)	SX5□40	SX5□40(R)	SX7□40(R)
Manifold type	Single base/B mount				
P(SUP)/R(EXH)	Common SUP/Common EXH				
Valve stations <small>(Note)</small>	2 to 20 stations				
A, B Porting specifications	Location	Base			
	Direction	Side			
Port size	P, EA, EB port	Rc 1/8		Rc 1/4	
	A, B port	M5 x 0.8 C4 (One-touch fitting for ø4) C6 (One-touch fitting for ø6)	Rc 1/8 C4 (One-touch fitting for ø4) C6 (One-touch fitting for ø6)	Rc 1/8 C6 (One-touch fitting for ø6) C8 (One-touch fitting for ø8)	Rc 1/4 C6 (One-touch fitting for ø6) C8 (One-touch fitting for ø8)
Manifold base weight W (g) n: Stations	W = 30n + 50	W = 37n + 63	W = 61n + 101	W = 79n + 127	W = 100n + 151



Note) For more than 10 stations, supply pressure to P port on both sides and exhaust from EA and EB port on both sides.

Flow Characteristics

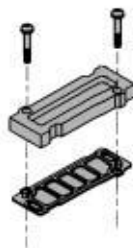
Model	Port size		Flow characteristics <small>(Note)</small>					
			1 → 4/2 (P → A/B)			4/2 → 5/3 (A/B → EA/EB)		
	1, 5, 3 (P, EA, EB)	4, 2 (A, B)	C [dm ³ / (s-bar)]	b	Cv	C [dm ³ / (s-bar)]	b	Cv
SS5X3-41	Rc 1/8	C6	0.75	0.19	0.18	0.81	0.23	0.20
SS5X3-42	Rc 1/8	C6	0.75	0.20	0.18	0.82	0.20	0.20
SS5X5-41	Rc 1/4	C8	1.8	0.23	0.44	1.9	0.16	0.45
SS5X5-42	Rc 1/4	C8	1.9	0.20	0.46	1.9	0.12	0.43
SS5X7-42	Rc 1/4	C10	3.0	0.25	0.75	3.0	0.12	0.66



Note) The value is for manifold base with 5 stations and individually operated 2 position type.

Manifold Option

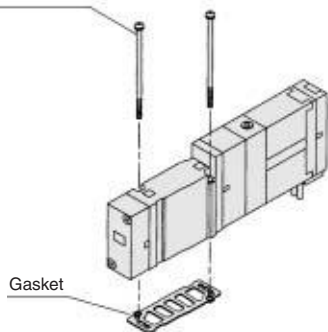
■ Blanking plate assembly



Series	Assembly part no.
SX3000	SY3000-26-9A
SX5000	SY5000-26-20A
SX7000	SY7000-26-22A

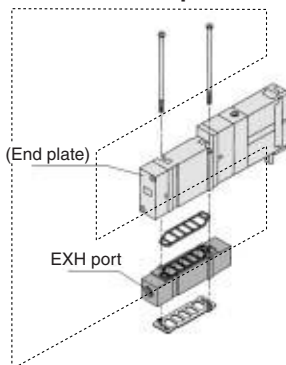
■ Bolt and gasket part no.

Round head combination screw



Series	Round head combination screw	Gasket
SX3000	SX3000-22-2 (M2 x 24)	SY3000-11-25
SX5000	M3 x 30 (Matt nickel plated)	SY5000-11-15
SX7000	M4 x 35 (Matt nickel plated)	SY7000-11-11

■ Individual EXH spacer assembly



Series	Assembly part no.	Port size
SX3000	SX3000-39-2A	M5 x 0.8
SX5000	SX5000-39-16□A	1/8
SX7000	SX7000-39-16□A	1/4



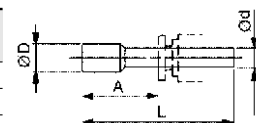
Note) The EXH port may be either on the lead wire side or on the end plate side. (An assembly is shipped under the condition shown in the figure.)

■ Plug

Inserted into an unused cylinder port and SUP/EXH ports. Purchasing order is available in units of 10 pieces.

Dimensions

Applicable fittings fitting ød	Model	A	L	D
4	KQ2P-04	16	32	6
6	KQ2P-06	18	35	8
8	KQ2P-08	20.5	39	10
10	KQ2P-10	22	43	12
5/32"	KQ2P-03	16	32	6
1/4"	KQ2P-07	18	35	8.5
5/16"	KQ2P-09	20.5	39	10
3/8"	KQ2P-11	22	43	11.5



⚠ Caution

Mounting screw tightening torques

M2: 0.17 N·m
M3: 0.8 N·m
M4: 1.4 N·m



Note) The SUP port may be either on the lead wire side or on the end plate side. (An assembly is shipped under the condition shown in the figure.)

* Thread type

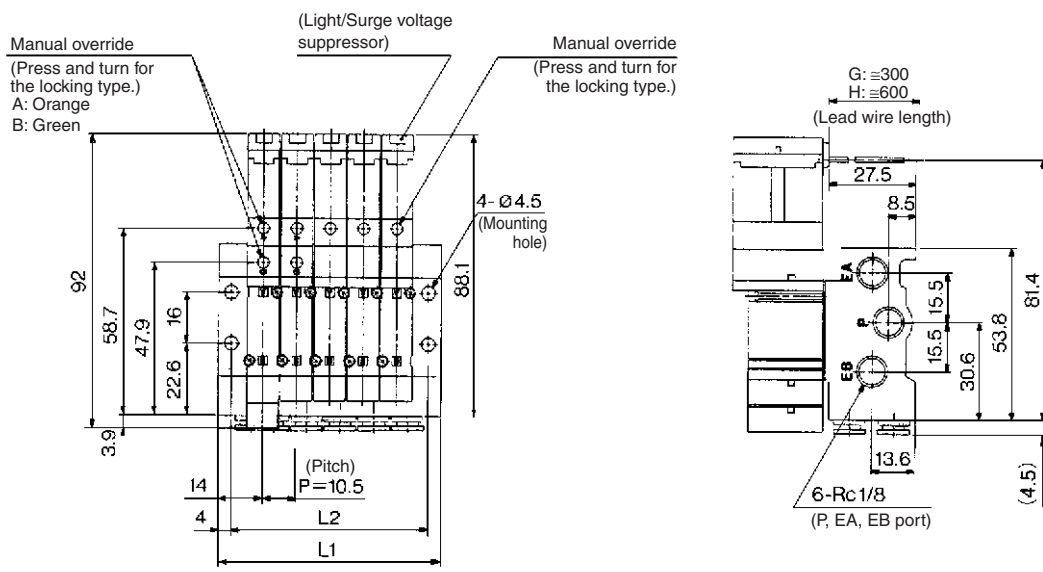
Nil	Rc
F	G
N	NPT
T	NPTF

⚠ Warning

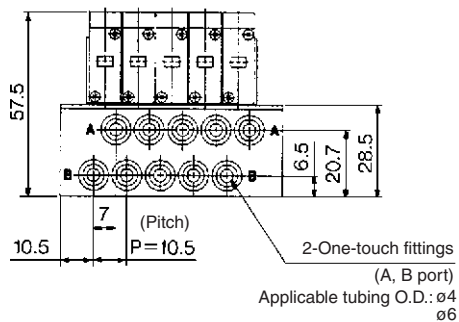
When mounting a valve or spacer on the manifold base or sub-plate, etc., those mounting directions are determined. If mounted in the wrong direction, the equipment to be connected may cause malfunction. Refer to external dimensions in pages 1-6-57 to 1-6-63, and then mount it.

SX3000: SS5X3-41- Stations -M5/C4/C6

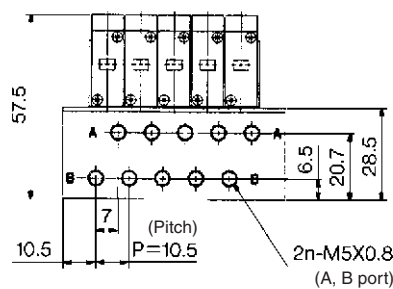
Grommet (G)



(n) (2) (1) stations

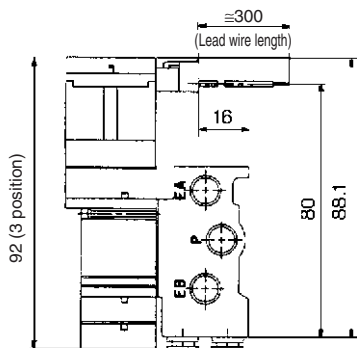


M5

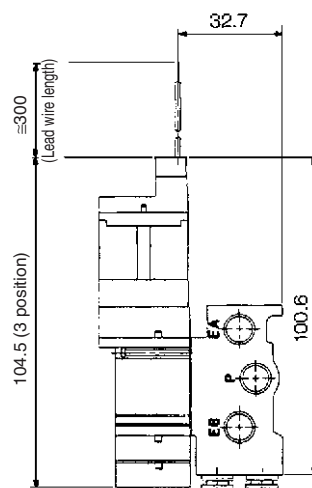


- SV
- SZ
- SY
- SYJ
- SX

L plug connector (L)



M plug connector (M)

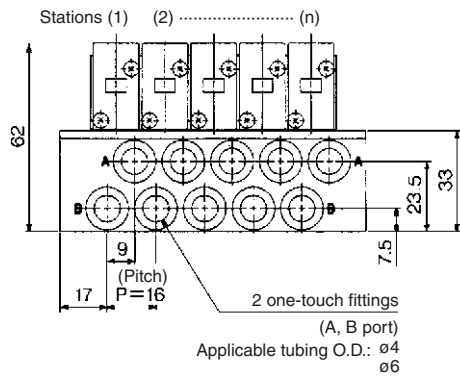
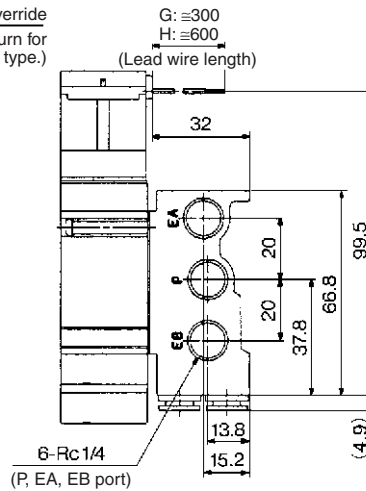
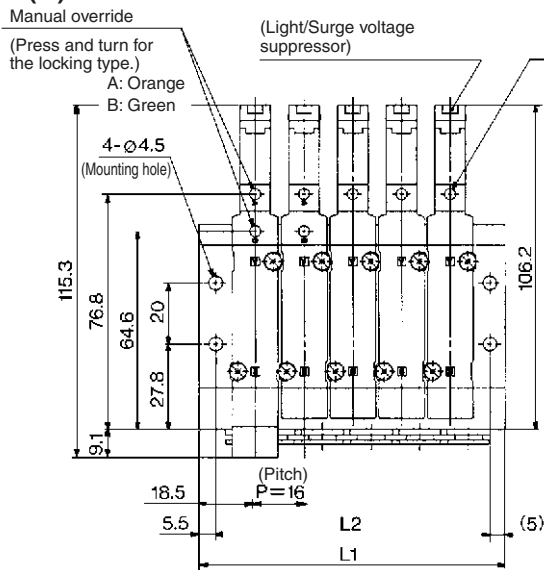


(mm)

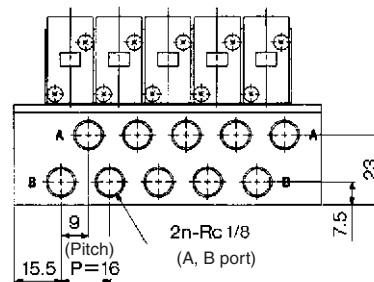
Stations n	2 stations	3	4	5	6	7	8	9	10	11	12	13	14	15	16	17	18	19	20 stations
L1	38.5	49	59.5	70	80.5	91	101.5	112	122.5	133	143.5	154	164.5	175	185.5	196	206.5	217	227.5
L2	30.5	41	51.5	62	72.5	83	93.5	104	114.5	125	135.5	146	156.5	167	177.5	188	198.5	209	219.5

SX5000: SS5X5-41- Stations -01/C6/C8

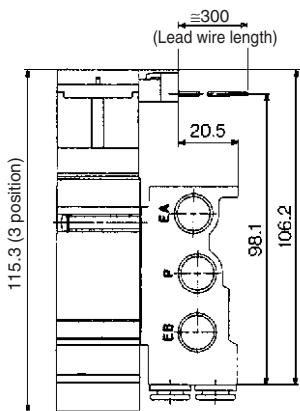
Grommet (G)



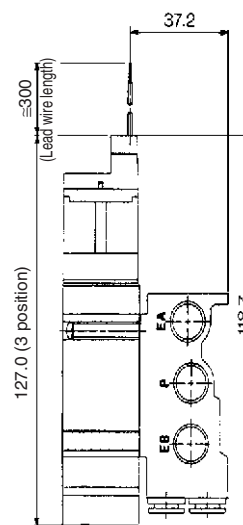
Rc 1/8



L plug connector (L)



M plug connector (M)

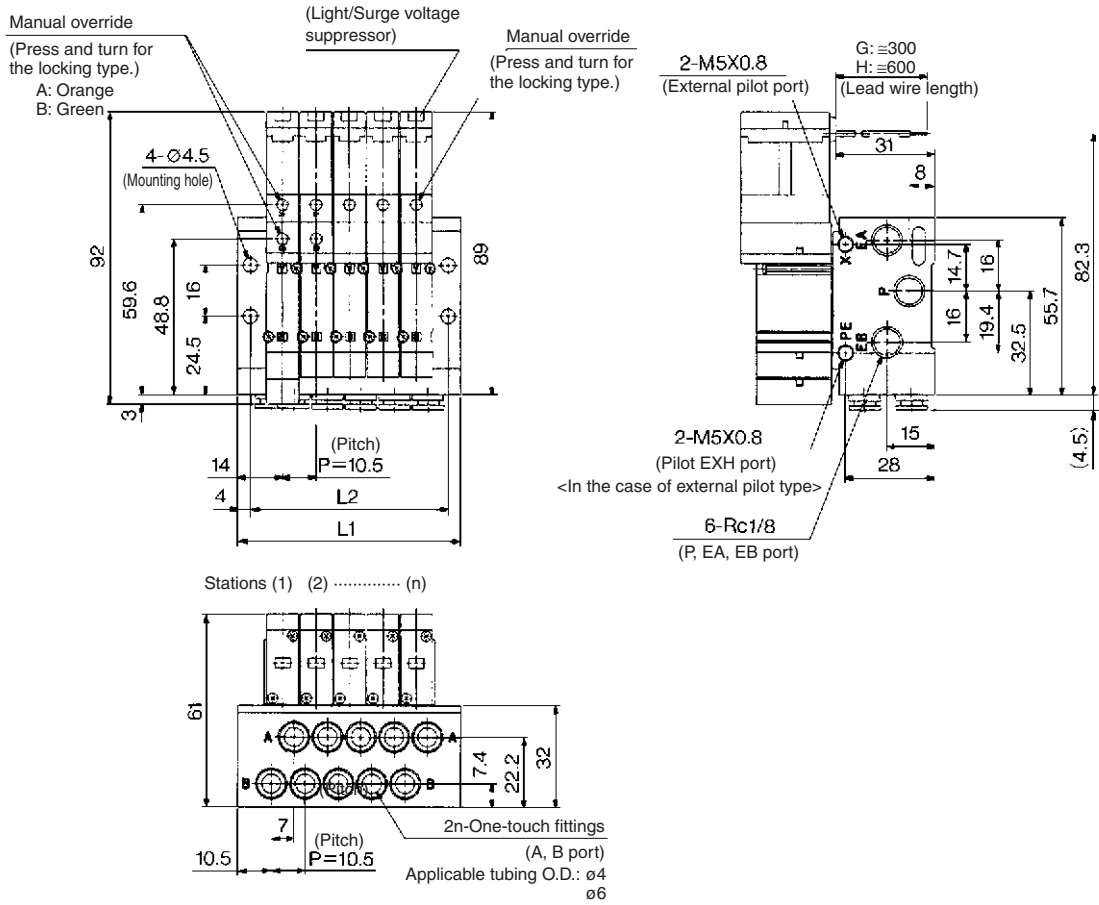


(mm)

Stations n	2 stations	3	4	5	6	7	8	9	10	11	12	13	14	15	16	17	18	19	20 stations
L1	52.5	68.5	84.5	100.5	116.5	132.5	148.5	164.5	180.5	196.5	212.5	228.5	244.5	260.5	276.5	292.5	308.5	324.5	340.5
L2	42	58	74	90	106	122	138	154	170	186	202	218	234	250	266	282	298	314	330

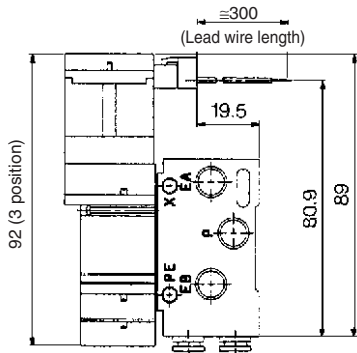
SX3000: SS5X3-42- Stations -C4/C6

Grommet (G)

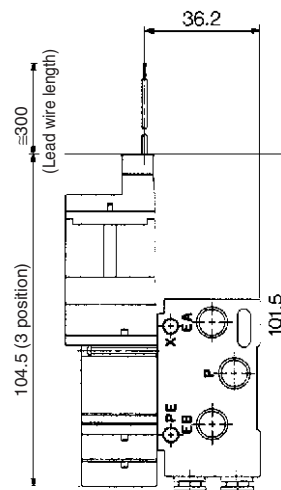


- SV
- SZ
- SY
- SYJ
- SX

L plug connector (L)



M plug connector (M)

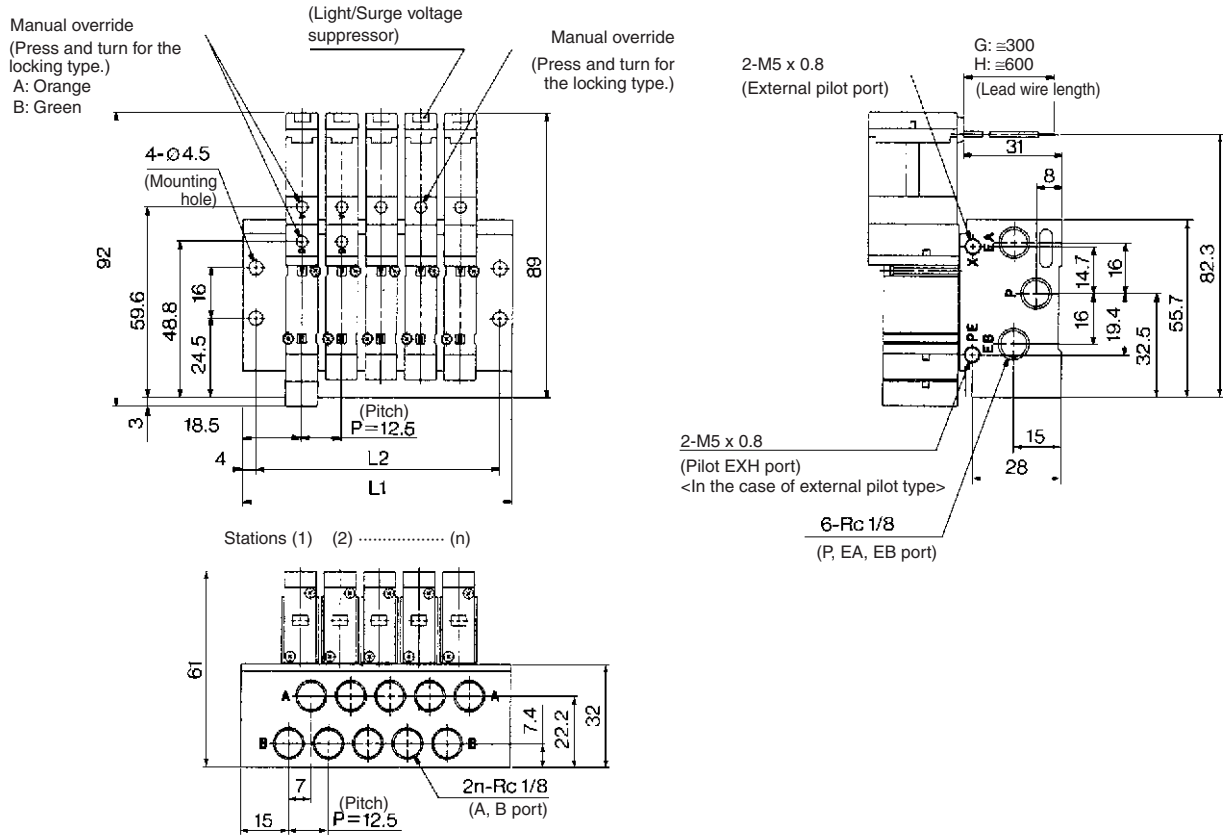


(mm)

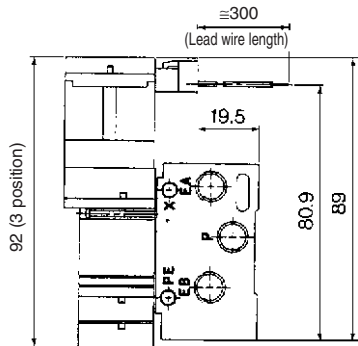
Stations n	2 stations	3	4	5	6	7	8	9	10	11	12	13	14	15	16	17	18	19	20 stations
L1	38.5	49	59.5	70	80.5	91	101.5	112	122.5	133	143.5	154	164.5	175	185.5	196	206.5	217	227.5
L2	30.5	41	51.5	62	72.5	83	93.5	104	114.5	125	135.5	146	156.5	167	177.5	188	198.5	209	219.5

SX3000: SS5X3-42- Stations -01

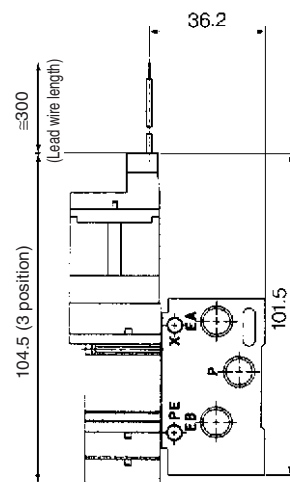
Grommet (G)



L plug connector (L)



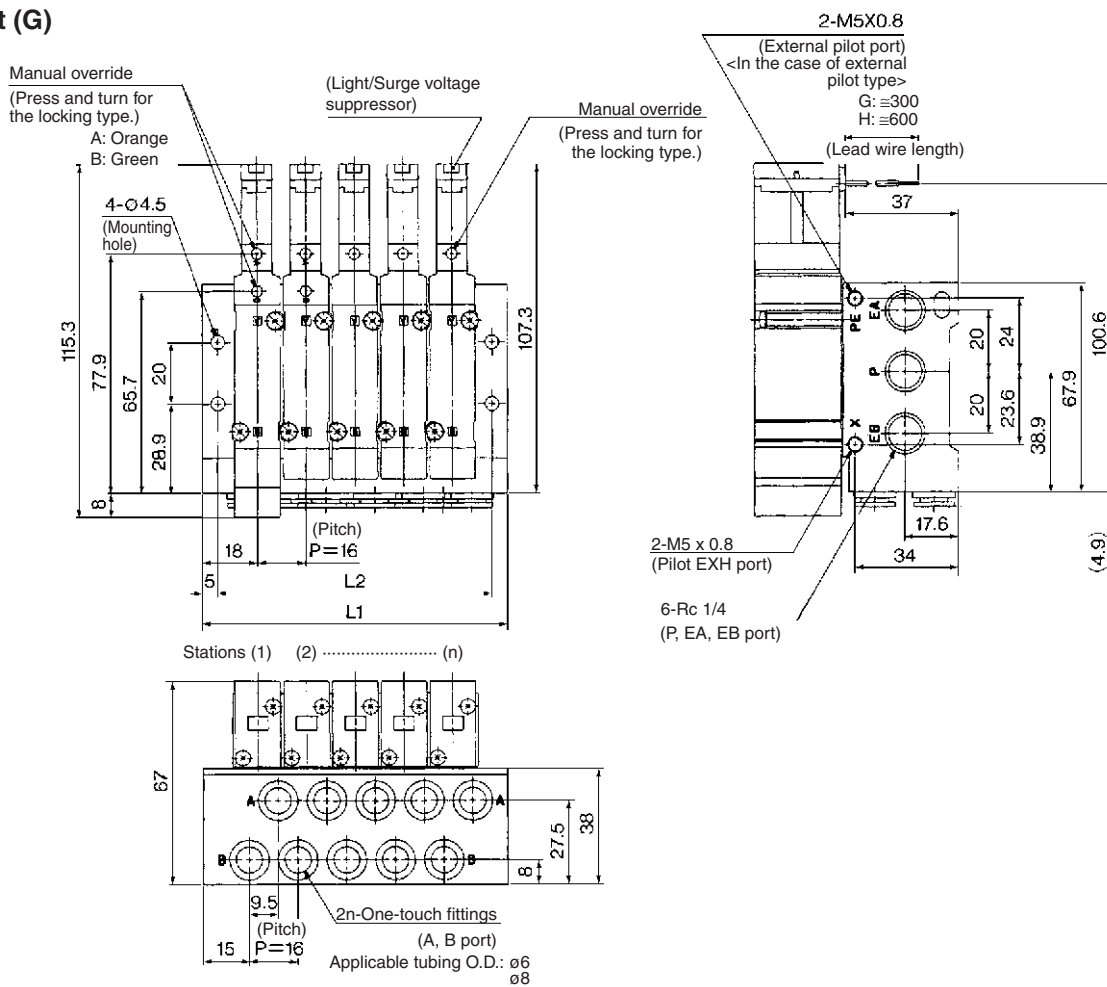
M plug connector (M)



Stations n	2 stations	3	4	5	6	7	8	9	10	11	12	13	14	15	16	17	18	19	20 stations
L1	47.5	60	72.5	85	97.5	110	122.5	135	147.5	160	172.5	185	197.5	210	222.5	235	247.5	260	272.5
L2	39.5	52	64.5	77	89.5	102	114.5	127	139.5	152	164.5	177	189.5	202	214.5	227	239.5	252	264.5

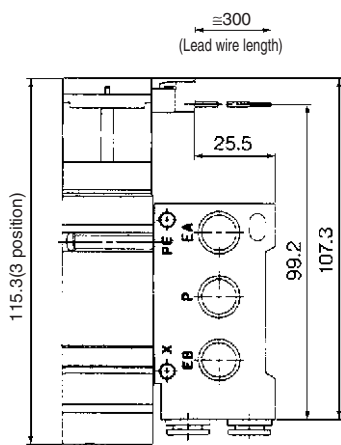
SX5000: SS5X5-42- Stations -C6/C8

Grommet (G)

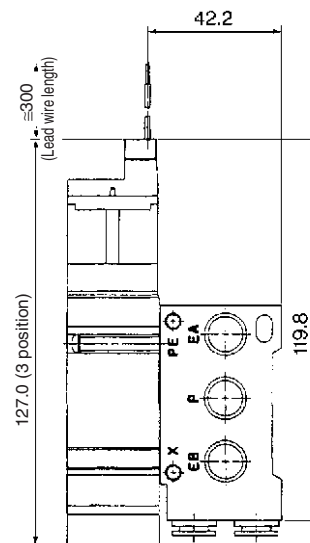


- SV
- SZ
- SY
- SYJ
- SX

L plug connector (L)



M plug connector (M)

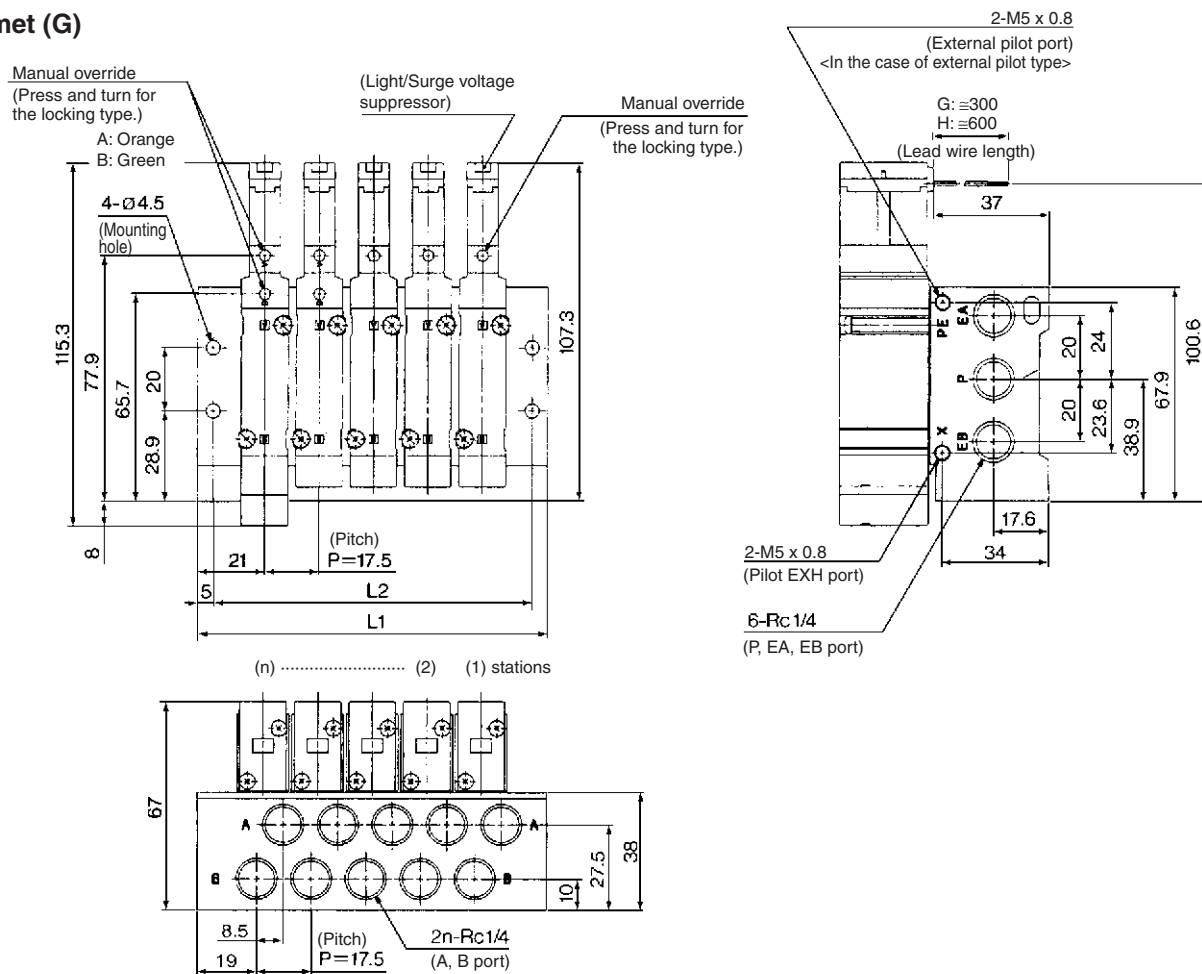


(mm)

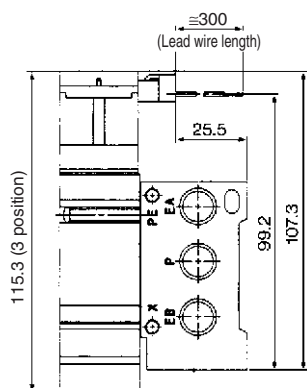
Stations n	2 stations	3	4	5	6	7	8	9	10	11	12	13	14	15	16	17	18	19	20 stations
L1	52	68	84	100	116	132	148	164	180	196	212	228	244	260	276	292	308	324	340
L2	42	58	74	90	106	122	138	154	170	186	202	218	234	250	266	282	298	314	330

SX5000: SS5X5-42- Stations -02

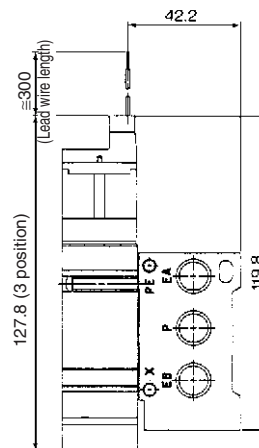
Grommet (G)



L plug connector (L)



M plug connector (M)

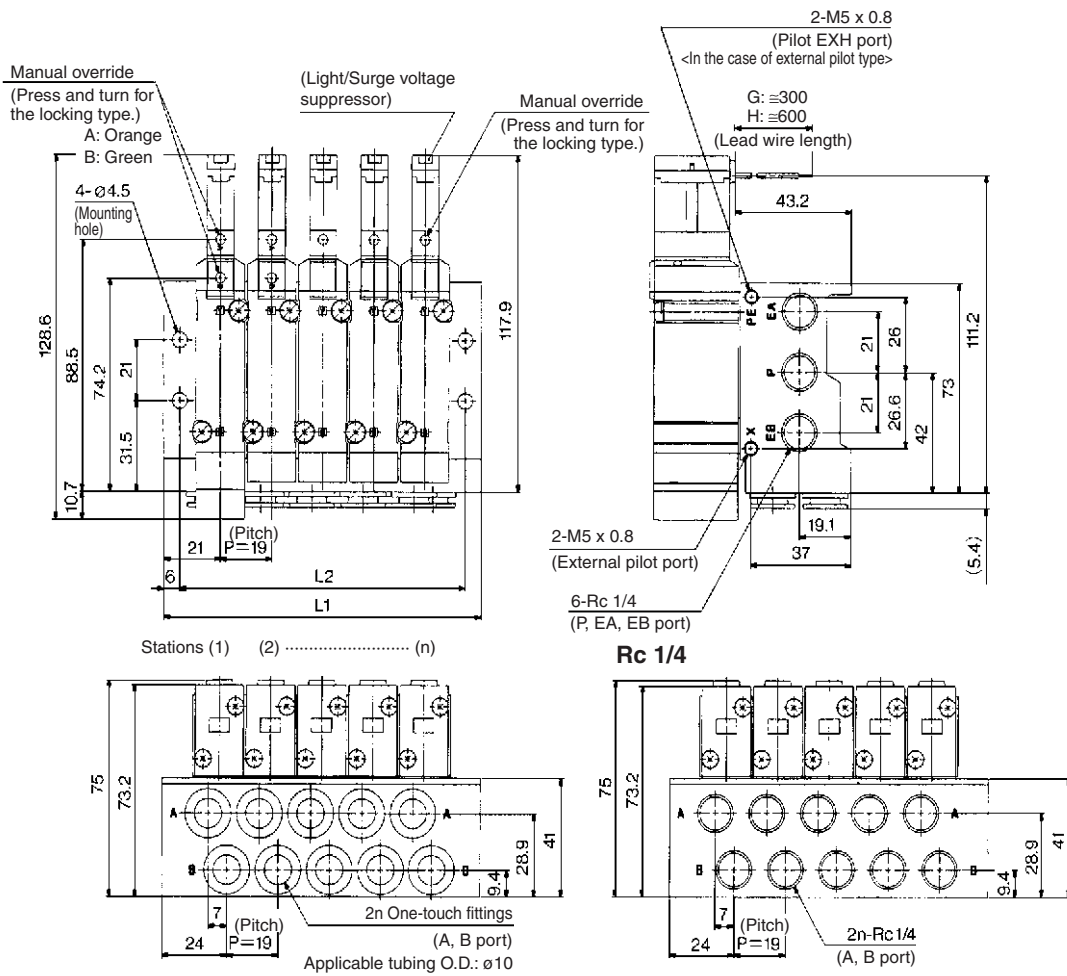


(mm)

Stations n	2 stations	3	4	5	6	7	8	9	10	11	12	13	14	15	16	17	18	19	20 stations
L1	59.5	77	94.5	112	129.5	147	164.5	182	199.5	217	234.5	252	269.5	287	304.5	322	339.5	357	374.5
L2	49.5	67	84.5	102	119.5	137	154.5	172	189.5	207	224.5	242	259.5	277	294.5	312	329.5	347	364.5

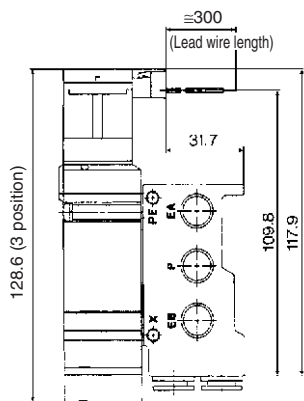
SX7000: SS5X7-42- Stations -02/C10

Grommet (G)

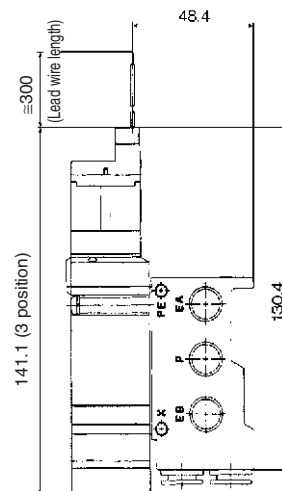


- SV
- SZ
- SY
- SYJ
- SX

L plug connector (L)



M plug connector (M)



Stations n	2 stations	3	4	5	6	7	8	9	10	11	12	13	14	15	16	17	18	19	20 stations
L1	61	80	99	118	137	156	175	194	213	232	251	270	289	308	327	346	365	384	403
L2	49	68	87	106	125	144	163	182	201	220	239	258	277	296	315	334	353	372	391

Type **41^P**
N

Type **42^P**
N

Series SX3000/5000/7000 Base Mounted Manifold Bar Stock Type Flat Ribbon Cable

How to Order Manifold

Type 41^P_N (Compact type)

SS5X 5 — 41 P — 05 — C8

Series

3	SX3000
5	SX5000

Common specifications

P	Positive common
N	Negative common

Stations

03	3 stations
:	:
12	12 stations

Note) For SS5X3: 4 to 12 stations.

Thread type

Nil	Rc
F	G
N	NPT
T	NPTF

A/B port size Thread piping

Symbol	Port size	Applicable series
M5	M5 x 0.8	SX3000
01	1/8	SX5000

One-touch fitting (Metric size)

Symbol	Port size	Applicable series
C4	One-touch fitting for ø4	SX3000
C6	One-touch fitting for ø6	
C6	One-touch fitting for ø6	SX5000
C8	One-touch fitting for ø8	

One-touch fitting (Inch size)

Symbol	Port size	Applicable series
N3	One-touch fitting for ø5/32"	SX3000
N7	One-touch fitting for ø1/4"	
N7	One-touch fitting for ø1/4"	SX5000
N9	One-touch fitting for ø5/16"	

Type 42^P_N (Common external pilot type)

SS5X 5 — 42 P — 05 — C8

Series

3	SX3000
5	SX5000
7	SX7000

Common specifications

P	Positive common
N	Negative common

Stations

03	3 stations
:	:
12	12 stations

Note) For SS5X3: 4 to 12 stations.

Thread type

Nil	Rc
F	G
N	NPT
T	NPTF

A/B port size Thread piping

Symbol	Port size	Applicable series
01	1/8	SX3000
02	1/4	SX5000
02	1/4	SX7000

One-touch fitting (Metric size)

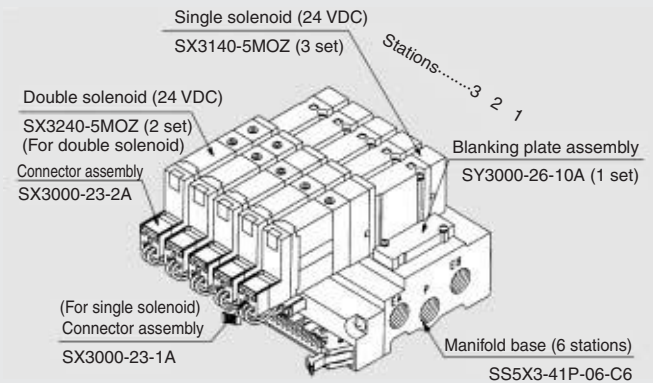
Symbol	Port size	Applicable series
C4	One-touch fitting for ø4	SX3000
C6	One-touch fitting for ø6	
C6	One-touch fitting for ø6	SX5000
C8	One-touch fitting for ø8	
C10	One-touch fitting for ø10	SX7000

One-touch fitting (Inch size)

Symbol	Port size	Applicable series
N3	One-touch fitting for ø5/32"	SX3000
N7	One-touch fitting for ø1/4"	
N7	One-touch fitting for ø1/4"	SX5000
N9	One-touch fitting for ø5/16"	
N11	One-touch fitting for ø3/8"	SX7000

How to Order Valve Manifold Assembly

Ordering example

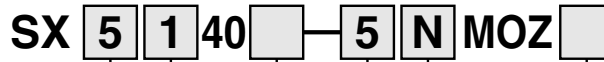


SS5X3-41P-06-C6 1 set (Type 41P, 6-station manifold base part no.)
 *SY3000-26-10A 1 set (Blanking plate assembly part no.)
 *SX3140-5MOZ 3 sets (Single solenoid part no.)
 *SX3240-5MOZ 2 sets (Double solenoid part no.)
 *SX3000-23-1A 3 sets (Connector assembly no.)
 *SX3000-23-2A 2 sets (Connector assembly no.)

* The asterisk denotes the symbol for assembly. Prefix it to the part nos. of the solenoid valve, etc.

Add the valve and option part number under the manifold base part number. In the case of complex arrangement, specify them on the manifold specification sheet.

How to Order Valves



Series

3	SX3000
5	SX5000
7	SX7000

Type of actuation

1	2 position single
2	2 position double
3	3 position closed center
4	3 position exhaust center
5	3 position pressure center

Pilot type

Nil	Internal pilot
R	External pilot

Rated voltage

5	24 VDC
6	12 VDC

Manual override

Nil	Non-locking push type
D	Push-turn locking slotted type

Common specifications

Nil	Positive common
N	Negative common

* Common specifications for the valve must correspond with common specifications for the manifold.

- SV
- SZ
- SY
- SYJ
- SX

How to Order Connector Assembly

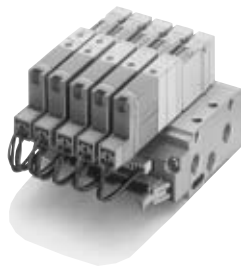
- Positive common specifications
For single solenoid: SX3000-23-1A
For double solenoid, 3 position: SX3000-23-2A
- Negative common specifications
For single solenoid: SX3000-24-1A
For double solenoid, 3 position: SX3000-24-2A



For detailed information on connector assembly, refer to page 1-6-9.

- Multiple valve wiring is simplified through the use of the flat cable connector.
- Clean appearance

In case of a flat cable style, each valve is wired on the print board of manifold base to allow the external wiring to be piped all together with 26 pins MIL connector.



Flat Ribbon Cable Manifold Specifications

Model	SS5X3-41 ^P _N	SS5X3-42 ^P _N	SS5X5-41 ^P _N	SS5X5-42 ^P _N	SS5X7-42 ^P _N
Applicable valve	SX3□40	SX3□40(R)	SX5□40	SX5□40(R)	SX7□40(R)
Manifold type	Single base/B mount				
P (SUP)/R (EXH)	Common SUP/Common EXH				
Valve stations ⁽¹⁾	4 to 12 stations		3 to 12 stations		
A, B port specifications	Location	Base			
	Direction	Side			
Port size	P, EA, EB port	Rc 1/8		Rc 1/4	
	A, B port	M5 x 0.8 C4 (One-touch fitting for ø4) C6 (One-touch fitting for ø6)	Rc 1/8 C4 (One-touch fitting ø4) C6 (One-touch fitting for ø6)	Rc 1/8 C6 (One-touch fitting for ø6) C8 (One-touch fitting for ø8)	Rc 1/4 C6 (One-touch fitting for ø6) C8 (One-touch fitting for ø8)
Manifold base weight W (g) n: Stations	W = 39n + 83	W = 48n + 99	W = 67n + 118	W = 88n + 151	W = 109n + 174
Applicable flat ribbon cable connector	Socket: 26 pins MIL with strain relief (Conforming to MIL-C-83503)				
Internal wiring ⁽²⁾	+COM (Type 41P, 42P), -COM (Type 41N, 42N)				
Rated voltage	12, 24 VDC				

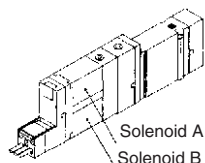
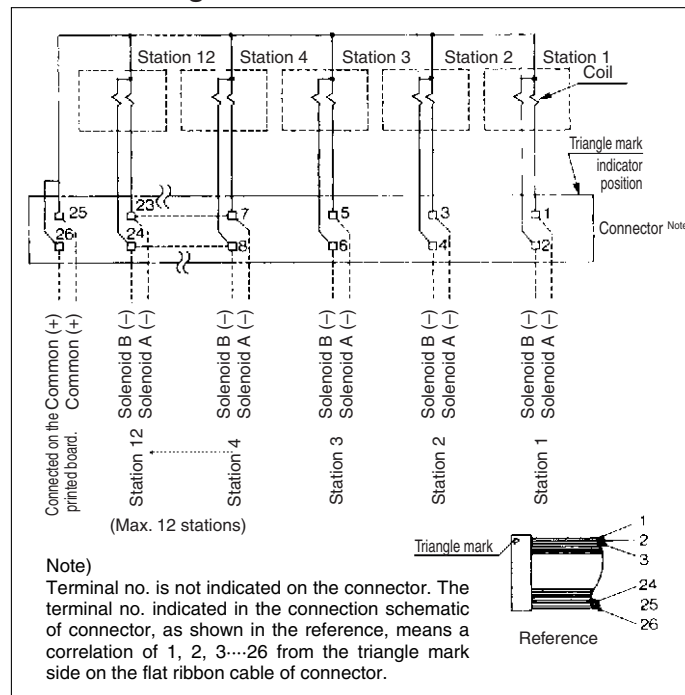
- Note 1) For more than 10 stations, supply pressure to P port on both sides and exhaust from EA and EB port on both sides.
 Note 2) The withstand voltage specification for the wiring unit section is JIS C 0704, Grade 1 or its equivalent.

Flow Characteristics

Model	Port size		Flow characteristics					
			1 → 4/2 (P → A/B)			4/2 → 5/3 (A/B → EA/EB)		
	1, 5, 3 (P, EA, EB)	4, 2 (A, B)	C [dm ³ / (s-bar)]	b	Cv	C [dm ³ / (s-bar)]	b	Cv
SS5X3-41 ^P _N	Rc 1/8	C6	0.75	0.19	0.18	0.81	0.23	0.20
SS5X3-42 ^P _N	Rc 1/8	C6	0.75	0.20	0.18	0.82	0.20	0.20
SS5X5-41 ^P _N	Rc 1/4	C8	1.8	0.23	0.44	1.9	0.16	0.45
SS5X5-42 ^P _N	Rc 1/4	C8	1.9	0.20	0.46	1.9	0.12	0.43
SS5X7-42 ^P _N	Rc 1/4	C10	3.0	0.25	0.75	3.0	0.12	0.66

Note) The value is for manifold base with 5 stations and individually operated 2 position type.

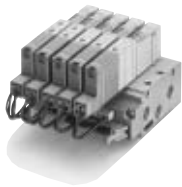
Internal Wiring of Manifold



- For more than 9 stations, both poles of the common should be wired.
- For single solenoid, connect to the solenoid A side.
- The maximum number of stations is 12. If more than 12 stations are required, please consult with SMC.
- -COM and +COM specifications are available. (Diagram above is for +COM specifications.)

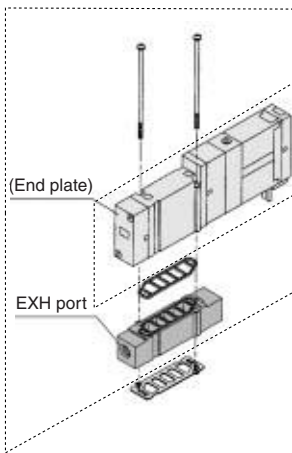
Manifold Option

■ Blanking plate assembly



Series	Assembly part no.
SX3000	SY3000-26-10A
SX5000	SY5000-26-21A
SX7000	SY7000-26-23A

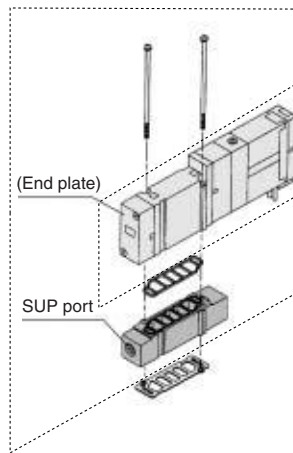
■ Individual EXH spacer assembly



Series	Assembly part no.	Port size
SX3000	SX3000-39-2A	M5 x 0.8
SX5000	SX5000-39-16□A	1/8
SX7000	SX7000-39-16□A	1/4

Note) For protection of the wiring unit section, the EXH port is on the end plate side.

■ Individual SUP spacer assembly



Series	Assembly part no.	Port size
SX3000	SX3000-38-2A	M5 x 0.8
SX5000	SX5000-38-16□A	1/8
SX7000	SX7000-38-16□A	1/4

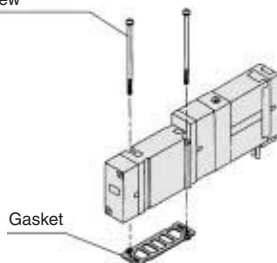
Note) The SUP port may be either on the lead wire side or on the end plate side. (An assembly is shipped under the condition shown in the figure.)

* Thread type

Nil	Rc
F	G
N	NPT
T	NPTF

■ Bolt and gasket part no.

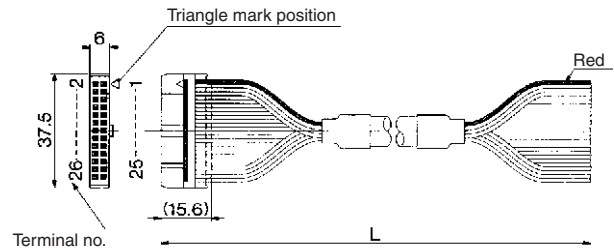
Round head combination screw



Series	Round head combination screw	Gasket
SX3000	SX3000-22-2 (M2 x 24)	SY3000-11-25
SX5000	M3 x 30 (Matt nickel plated)	SY5000-11-15
SX7000	M4 x 35 (Matt nickel plated)	SY7000-11-11

■ Cable assembly

AXT100-FC26-¹/₃



Connector Assembly for Flat Ribbon Cable

Cable length (L)	Assembly part no.	Note
1.5 m	AXT100-FC26-1	Cable 26 cores x 28AWG
3 m	AXT100-FC26-2	
5 m	AXT100-FC26-3	

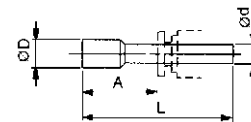
* For other commercial connectors, use a 26 pins type with strain relief conforming to MIL-C-83503.

Connector manufacturers' example

- Hirose Electric Co., Ltd. • Japan Aviation Electronics Industry, Ltd.
- Sumitomo 3M Limited • J.S.T. Mfg. Co., Ltd.
- Fujitsu Limited

■ Plug

These are inserted in cylinder ports or SUP/EXH ports which are not being used.



Dimensions

Applicable fittings size ød	Model	A	L	D
4	KQ2P-04	16	32	6
6	KQ2P-06	18	35	8
8	KQ2P-08	20.5	39	10
10	KQ2P-10	22	43	12
5/32"	KQ2P-03	16	32	6
1/4"	KQ2P-07	18	35	8.5
5/16"	KQ2P-09	20.5	39	10
3/8"	KQ2P-11	22	43	11.5

⚠ Caution

Mounting screw tightening torques

M2: 0.17 N·m
M3: 0.8 N·m
M4: 1.4 N·m

⚠ Warning

When mounting a valve or spacer on the manifold base or sub-plate, etc., those mounting directions are determined. If mounted in the wrong direction, the equipment to be connected may cause malfunction. Refer to external dimensions in pages 1-6-68 to 1-6-72, and then mount it.

SV

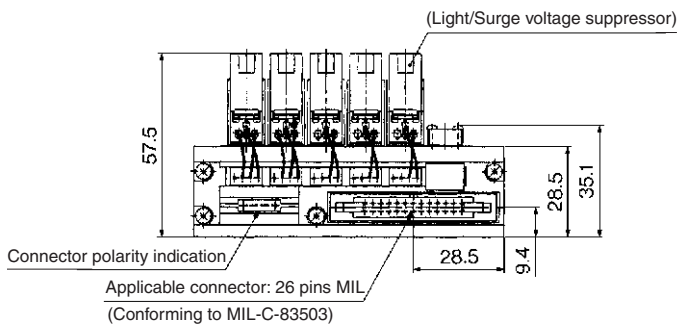
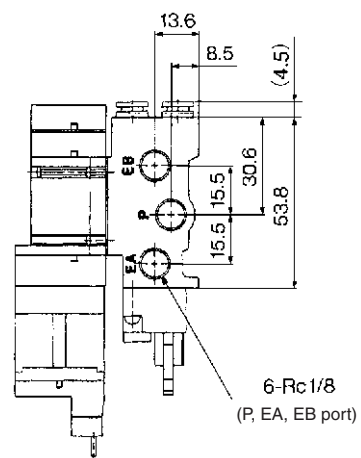
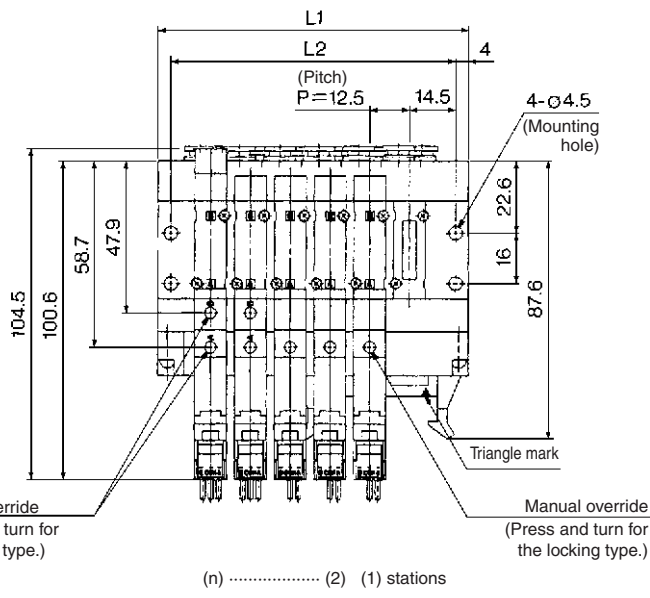
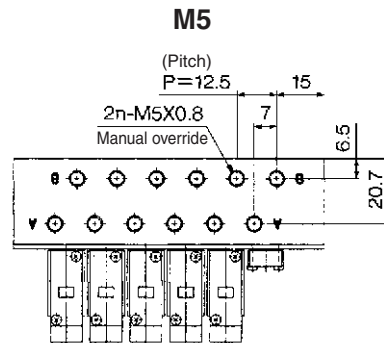
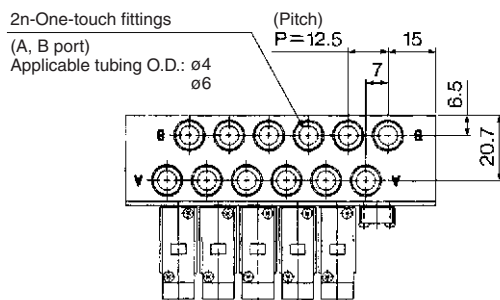
SZ

SY

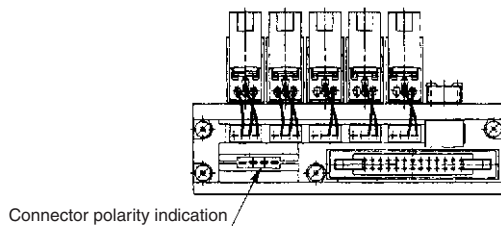
SYJ

SX

SX3000: SS5X3-41P- Stations -M5/C4/C6



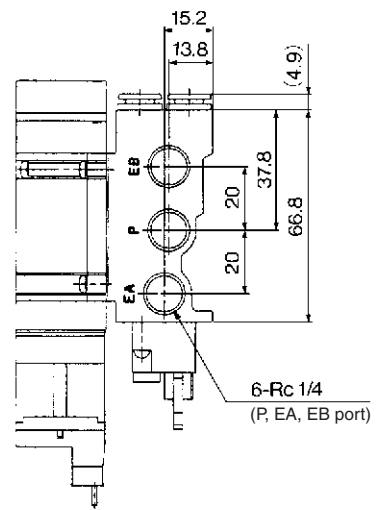
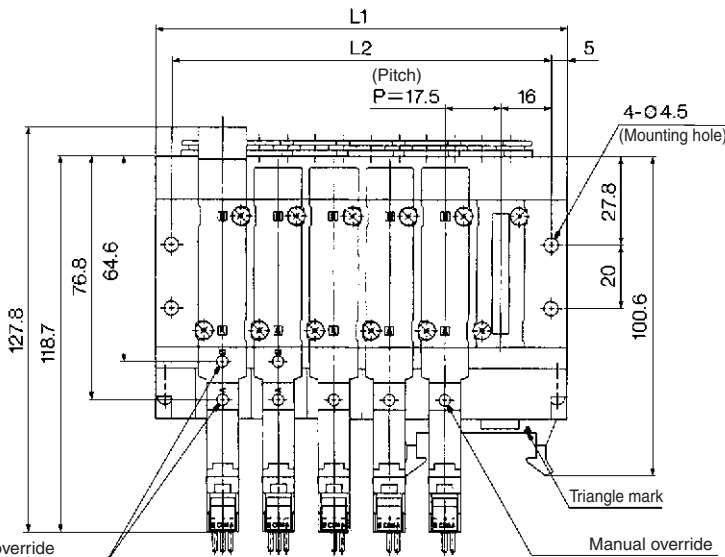
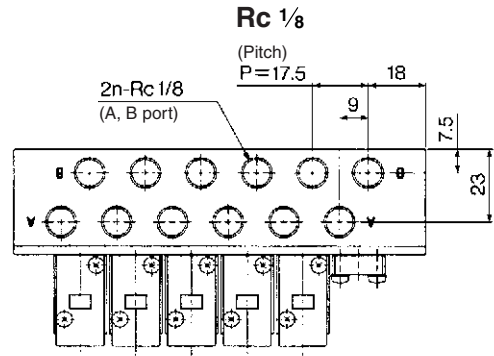
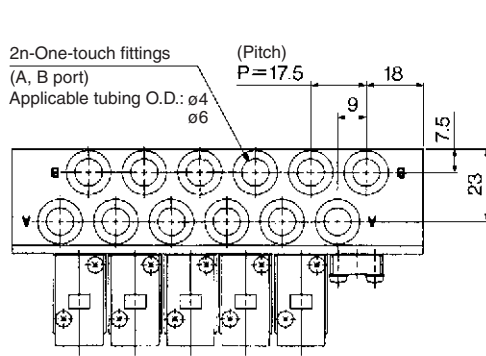
SS5X3-41N



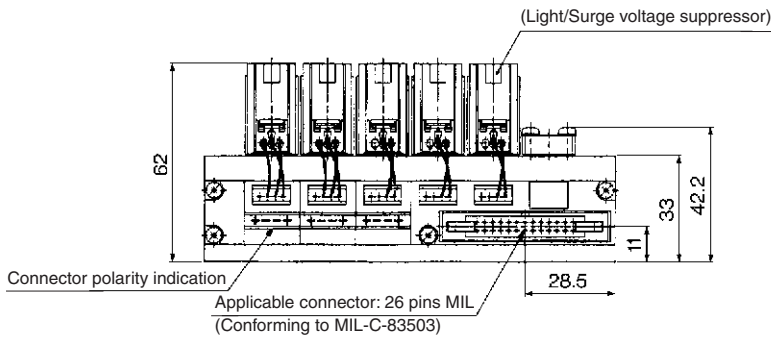
(mm)

Stations n	4	5	6	7	8	9	10	11	12
L1	72.5	85	97.5	110	122.5	135	147.5	160	172.5
L2	64.5	77	89.5	102	114.5	127	139.5	152	164.5

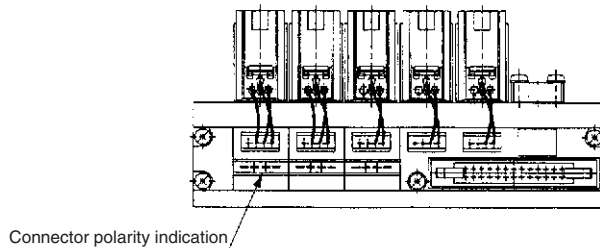
SX5000: SS5X5-41P- Stations -01/C6/C8



(n) (2) (1) stations



SS5X3-41N

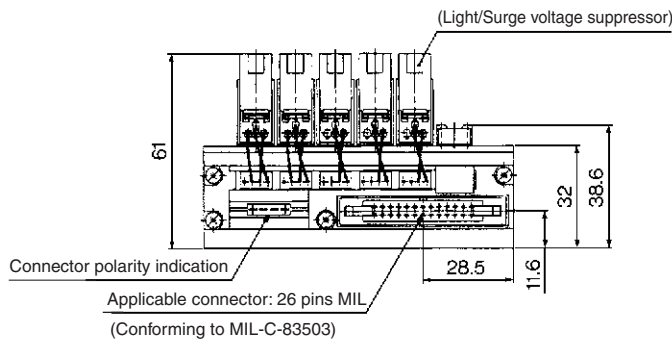
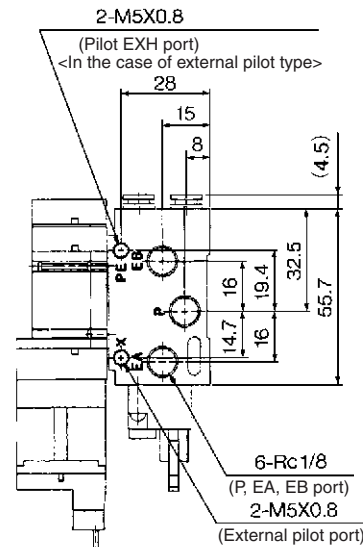
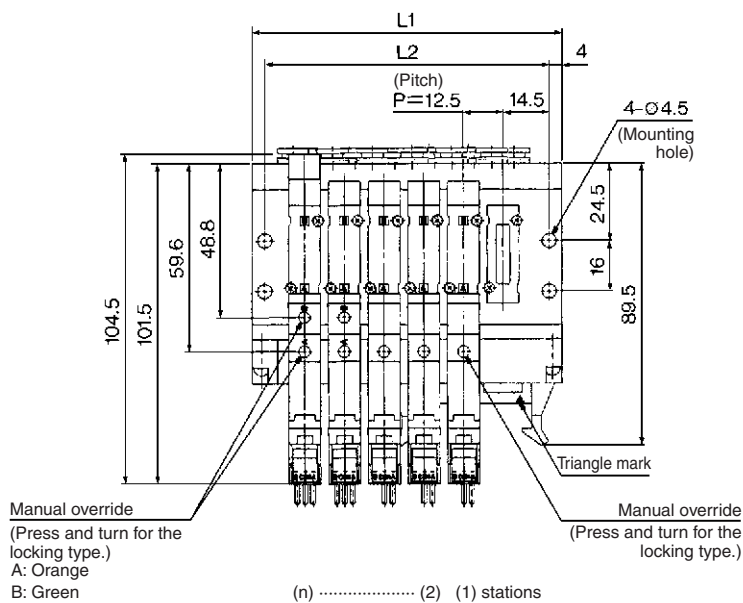
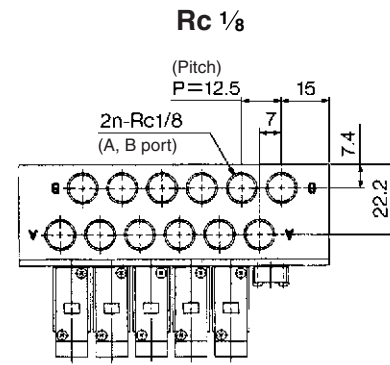
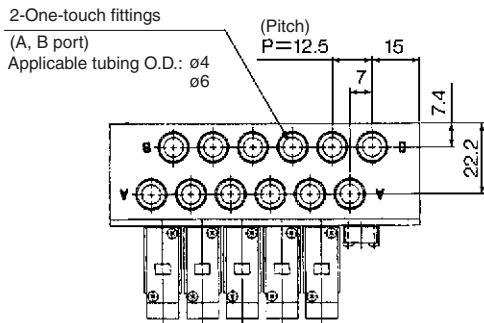


(mm)

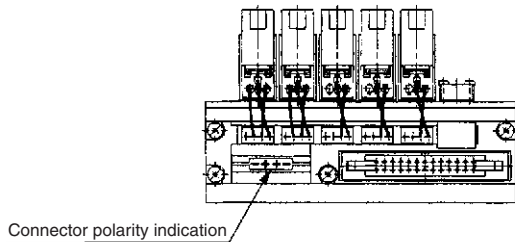
Stations n	3	4	5	6	7	8	9	10	11	12
L1	77	94.5	112	129.5	147	164.5	182	199.5	217	234.5
L2	67	84.5	102	119.5	137	154.5	172	189.5	207	224.5

- SV
- SZ
- SY
- SYJ
- SX

SX3000: SS5X3-42P- Stations -01/C4/C6



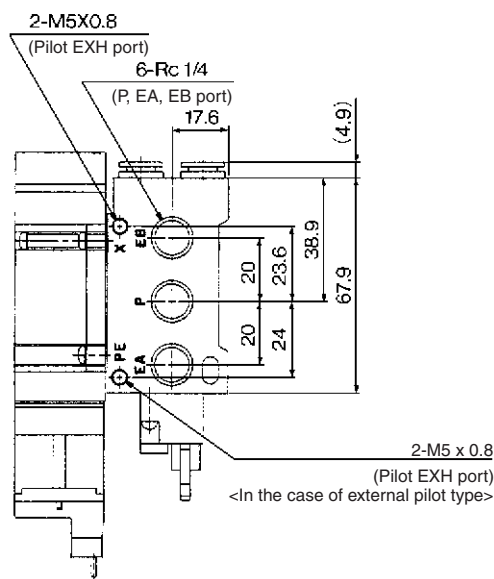
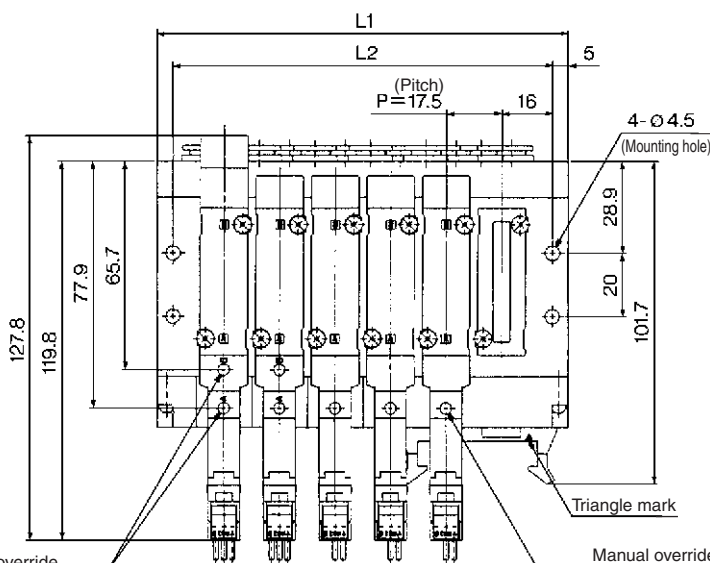
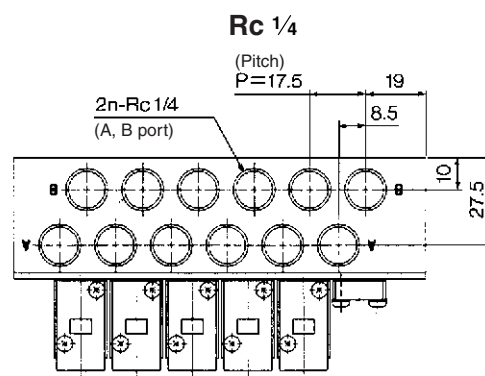
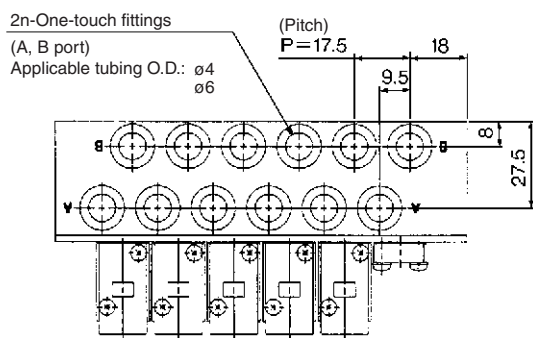
SS5X3-42N



(mm)

Stations n	4	5	6	7	8	9	10	11	12
L1	72.5	85	97.5	110	122.5	135	147.5	160	172.5
L2	64.5	77	89.5	102	114.5	127	139.5	152	164.5

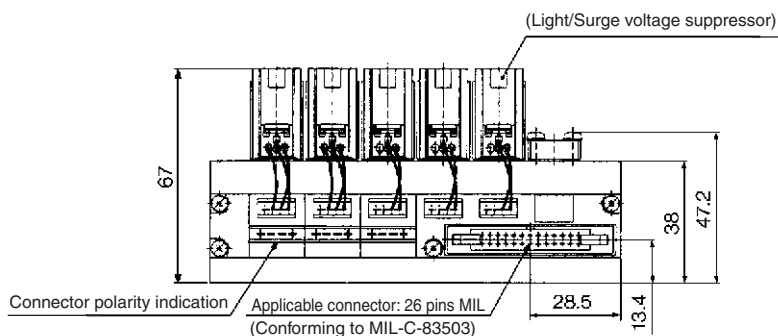
SX5000: SS5X5-42P- Stations -02/C6/C8



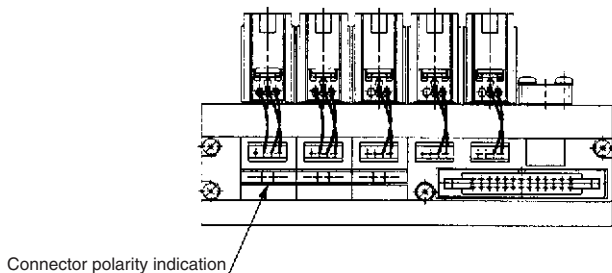
Manual override
(Press and turn for the locking type.)
A: Orange
B: Green

(n) (2) (1) stations

Manual override
(Press and turn for the locking type.)



SS5X5-42N



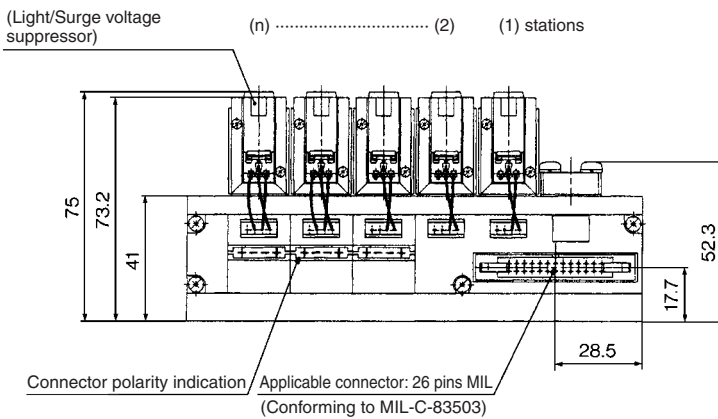
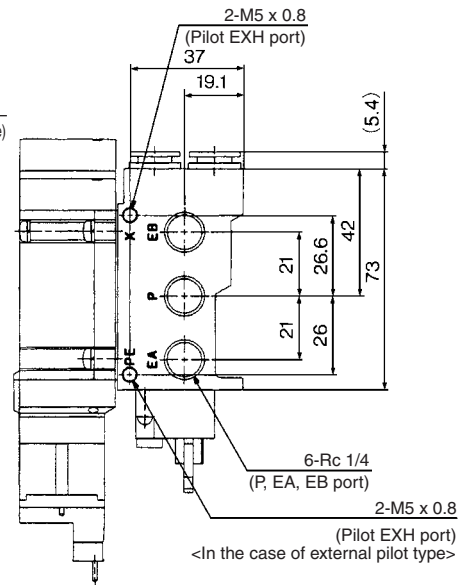
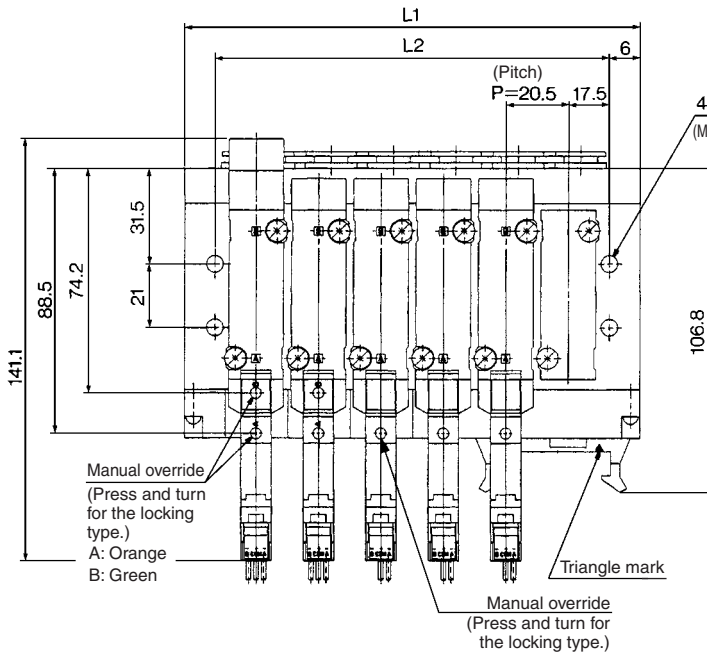
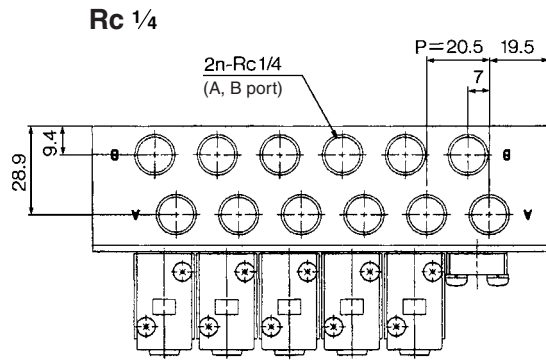
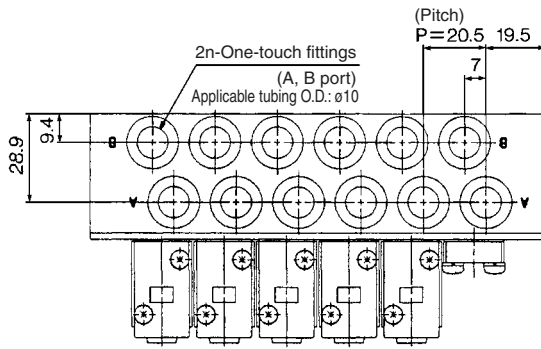
(mm)

Stations n	3	4	5	6	7	8	9	10	11	12
L1	77	94.5	112	129.5	147	164.5	182	199.5	217	234.5
L2	67	84.5	102	119.5	137	154.5	172	189.5	207	224.5

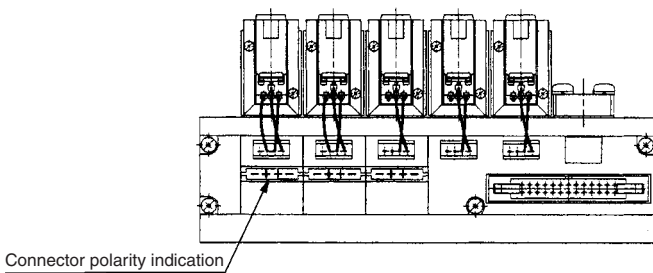
- SV
- SZ
- SY
- SYJ
- SX

Courtesy of Steven Engineering, Inc.-230 Ryan Way, South San Francisco, CA 94080-6370-Main Office: (650) 588-9200-Outside Local Area: (800) 258-9200-www.stevenengineering.com

SX7000: SS5X7-42P- Stations -02/C10



SS5X7-42N



(mm)

Stations n	3	4	5	6	7	8	9	10	11	12
L1	88	108.5	129	149.5	170	190.5	211	231.5	252	272.5
L2	76	96.5	117	137.5	158	178.5	199	219.5	240	260.5

- SV
- SZ
- SY
- SYJ
- SX**

Courtesy of Steven Engineering, Inc.-230 Ryan Way, South San Francisco, CA 94080-6370-Main Office: (650) 588-9200-Outside Local Area: (800) 255-9200-www.stevenengineering.com



Type **45**

Series SX3000/5000 Base Mounted Manifold Stacking Type DIN Rail Mounted Individual Wiring

How to Order Manifold

SS5X **3** - 45 - [] - [] - [] - []

Series • Valve stations •

3	SX3000	02	2 stations
5	SX5000	⋮	⋮
		20	20 stations

SUP/EXH block assembly mounting position

Symbol	Mounting position	Applicable stations
U	U side	2 to 10 stations
D	D side	
B	Both sides	2 to 20 stations
M	Special specifications	

* For special specifications, indicate separately by the manifold specification sheet.

A, B port size • (Metric size)

Symbol	Port size	Applicable series
C4	One-touch fitting for $\phi 4$	SX3000
C6	One-touch fitting for $\phi 6$	
M	Mixed	SX5000
C4	One-touch fitting for $\phi 4$	
C6	One-touch fitting for $\phi 6$	
C8	One-touch fitting for $\phi 8$	
M	Mixed	

(Inch size)

Symbol	Port size	Applicable series
N3	One-touch fitting for $\phi 5/32$ "	SX3000
N7	One-touch fitting for $\phi 1/4$ "	
M	Mixed	SX5000
N3	One-touch fitting for $\phi 5/32$ "	
N7	One-touch fitting for $\phi 1/4$ "	
N9	One-touch fitting for $\phi 5/16$ "	
M	Mixed	

* In the case of mixed specifications (M), indicate separately on the manifold specification sheet.

Option •

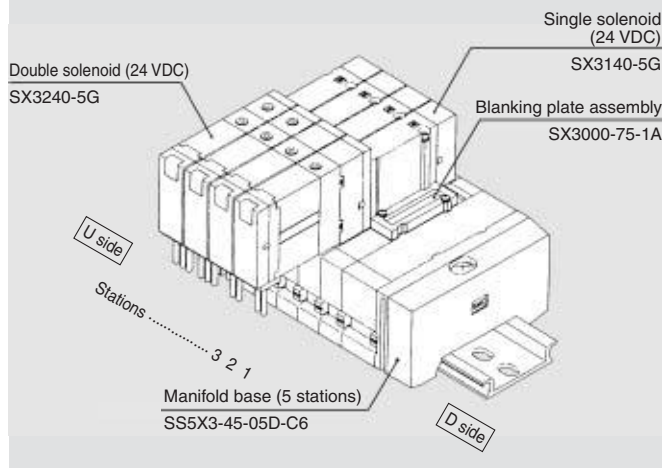
When a longer DIN rail is desired than the specified stations, specify the station number to be required. (20 stations at maximum)



- Connector assembly for L and M types.....Refer to page 1-6-8.
- Common connector assembly for manifold.....Refer to page 1-6-9.

How to Order Valve Manifold Assembly

Ordering example



SS5X3-45-05D-C6 1 set (Type 45, 5-station manifold base part no.)
 *SX3000-75-1A 1 set (Blanking plate assembly part no.)
 *SX3140-5G 2 sets (Single solenoid part no.)
 *SX3240-5G 2 sets (Double solenoid part no.)

* The asterisk denotes the symbol for assembly. Prefix it to the part nos. of the solenoid valve, etc.

The valve arrangement is numbered as the 1st. station from D side regardless of the mounting position of SUP/EXH block assembly. In ordering, specify the part nos. in the order from the 1st. station on D side. Besides, when the arrangement will be complicated, fill out the Manifold Specification Sheet to instruct us.

How to Order Valves

SX **5** **2** **40** — **5** **N** **L**

● **Series**

3	SX3000
5	SX5000

● **Type of actuation**

1	2 position single
2	2 position double
3	3 position closed center
4	3 position exhaust center
5	3 position pressure center

● **Rated voltage**

5	24 VDC
6	12 VDC
V	6 VDC
S	5 VDC
R	3 VDC

● **Common specifications**

Nil	Positive common
N	Negative common



Note) Put nothing for single grommet style and single without indicator light and surge voltage suppressor.

● **Manual override**

Nil	Non-locking push type
D	Push-turn locking slotted type

● **Light/Surge voltage suppressor**

Nil	Without light/surge voltage suppressor
S	With surge voltage suppressor
Z	With light/surge voltage suppressor

● **Electrical entry**

Grommet	L plug connector	M plug connector
G: Lead wire length 300 mm	L: With lead wire (Length 300 mm)	M: With lead wire (Length 300 mm)
H: Lead wire length 600 mm	LN: Without lead wire	MN: Without lead wire
	LO: Without connector	MO: Without connector



* The LN or MN option includes 2 sockets for single solenoid valves and 3 sockets for double solenoid valves.

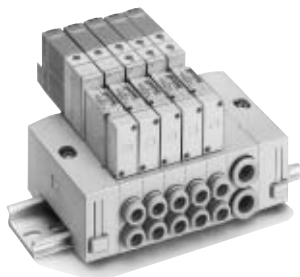
SV

SZ

SY

SYJ

SX



Manifold Specifications

Model		SS5X3-45	SS5X5-45
Applicable valve		SX3□40	SX5□40
Manifold type		Stacking type/DIN rail mounted	
P(SUP), R(EXH)		Common SUP/Common EXH	
Valve stations ^{Note)}		2 to 20 stations	
A, B port specifications	Location	Base	
	Direction	Side	
Port size	P, R port	C8 (One-touch fitting for ø8)	C10 (One-touch fitting for ø10)
	A, B port	C4 (One-touch fitting for ø4) C6 (One-touch fitting for ø6)	C4 (One-touch fitting for ø4) C6 (One-touch fitting for ø6) C8 (One-touch fitting for ø8)
Manifold base weight W (g)		2 to 10 stations: W = 22n + 118	2 to 10 stations: W = 47n + 156
n: Stations		11 to 20 stations: W = 22n + 140	11 to 20 stations: W = 47n + 190



Note) For more than 11 stations, supply pressure to P port on both sides and exhaust from R port on both sides.

Flow Characteristics

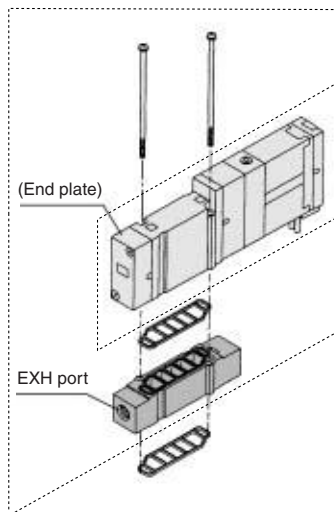
Model	Port size		Flow characteristics					
			1 → 4/2 (P → A/B)			4/2 → 5/3 (A/B → EA/EB)		
	1, 5, 3 (P, EA, EB)	4, 2 (A, B)	C [dm ³ / (s·bar)]	b	Cv	C [dm ³ / (s·bar)]	b	Cv
SS5X3-45	C8	C6	0.88	0.21	0.22	0.95	0.18	0.22
SS5X5-45	C10	C8	2.2	0.24	0.53	2.5	0.18	0.58



Note) The value is for manifold base with 5 stations and individually operated 2 position type.

Manifold Option

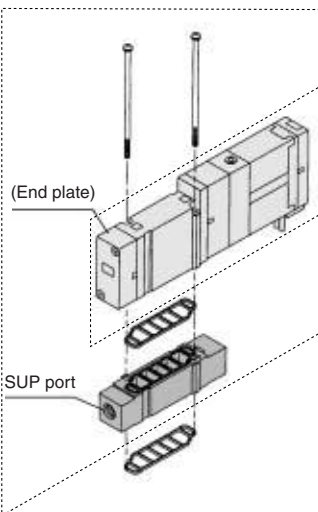
Individual SUP spacer assembly



Series	Assembly part no.	Port size
SX3000	SX3000-38-2A	M5 x 0.8
SX5000	SX5000-38-16□A	1/8

Note) SUP port may be either on the lead wire side or the end plate side. (Factory assembled spacer will be shipped with the orientation shown in the figure.)

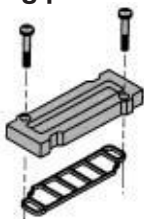
Individual EXH spacer assembly



Series	Assembly part no.	Port size
SX3000	SX3000-39-2A	M5 x 0.8
SX5000	SX5000-39-16□A	1/8

Note) The EXH port may be either on the lead wire side or on the end plate side.

Blanking plate assembly



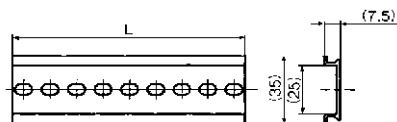
Series	Assembly part no.
SX3000	SX3000-75-1A
SX5000	SX5000-76-1A

Dimensions/DIN rail

VZ1000-11-1-□

Refer to L dimensions

* Fill in □ with an appropriate no. listed on the table of DIN rail dimensions shown below.



No.	0	1	2	3	4	5	6	7	8	9	10
L dimension	98	110.5	123	135.5	148	160.5	173	185.5	198	210.5	223
No.	11	12	13	14	15	16	17	18	19	20	21
L dimension	235.5	248	260.5	273	285.5	298	310.5	323	335.5	348	360.5
No.	22	23	24	25	26	27	28	29	30	31	32
L dimension	373	385.5	398	410.5	423	435.5	448	460.5	473	485.5	498
No.	33	34	35	36	37	38	39	40	41	42	43
L dimension	510.5	523	535.5	548	560.5	573	585.5	598	610.5	623	635.5
No.	44	45	46	47	48	49	50	51	52	53	54
L dimension	648	660.5	673	685.5	698	710.5	723	735.5	748	760.5	773
No.	55	56	57	58	59	60	61	62	63	64	65
L dimension	785.5	798	810.5	823	835.5	848	860.5	873	885.5	898	910.5
No.	66	67	68	69	70	71					
L dimension	923	935.5	948	960.5	973	985.5					

SUP block disk

By installing a SUP block disk in the pressure supply passage of a manifold valve, it is possible to supply two or more different high and low pressures to one manifold.



Series	Part no.
SX3000	SX3000-77-1A
SX5000	SX5000-77-1A

EXH block disk

By installing an EXH block disk in the exhaust passage of a manifold valve, it is possible to divide the valve's exhaust so that it does not affect another valve. (Two block disks are needed to divide both exhausts.)



Series	Part no.
SX3000	SX3000-77-1A
SX5000	SX5000-77-1A

Label for block disk

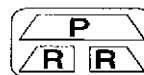
The labels shown below are used on manifold stations containing SUP/EXH block disk(s) to show their location. (3 pcs. each)

VZ3000-123-1A

Label for SUP block disk



Label for EXH block disk



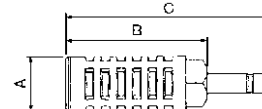
Label for SUP/EXH block disk



Note) When a block disk is concurrently ordered by specifying on the manifold specification sheet, etc., a label will be stuck on the position where block disk is mounted.

Silencer with One-touch fitting

This silencer can be mounted on the manifold's port R (exhaust) with a single touch.

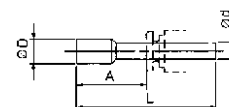


Series	Model	Effective area	A	B	C
SX3000 (ø8)	AN203-KM8	14 mm ²	ø16	26	51
	AN200-KM10	26 mm ²	ø22	53.8	80.8
SX5000 (ø10)	AN300-KM10	30 mm ²	ø25	70	97

Plug

These are inserted in cylinder ports or SUP/EXH ports which are not being used.

Purchasing order is available in units of 10 pieces.



Dimensions

Applicable fittings fitting ød	Model	A	L	D
4	KQ2P-04	16	32	6
6	KQ2P-06	18	35	8
8	KQ2P-08	20.5	39	10
10	KQ2P-10	22	43	12
5/32"	KQ2P-03	16	32	6
1/4"	KQ2P-07	18	35	8.5
5/16"	KQ2P-09	20.5	39	10
3/8"	KQ2P-11	22	43	11.5

Caution

Mounting screw tightening torques

M2: 0.17 N·m
M3: 0.8 N·m
M4: 1.4 N·m

Warning

When mounting a valve or spacer on the manifold base or sub-plate, etc., those mounting directions are determined. If mounted in the wrong direction, the equipment to be connected may cause malfunction. Refer to external dimensions in pages 1-6-78 to 1-6-79, and then mount it.

SV

SZ

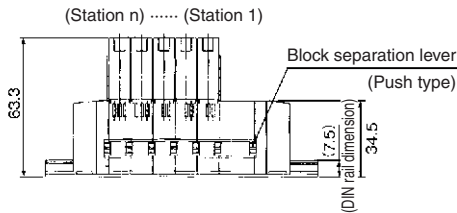
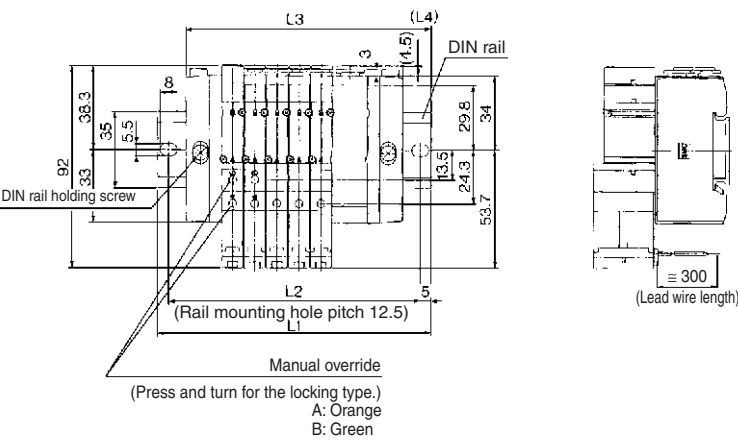
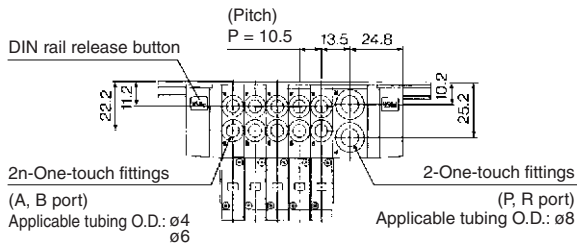
SY

SYJ

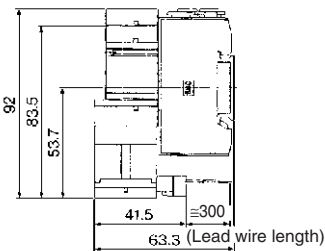
SX

Dimensions: Series SX3000

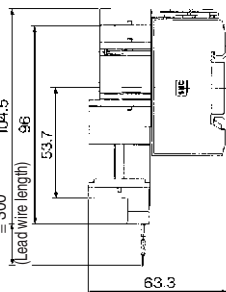
SS5X3-45- Stations D-^{C4}_{C6}



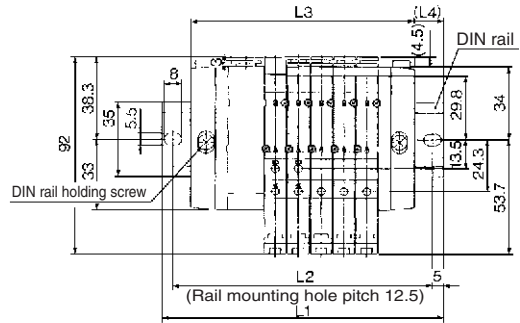
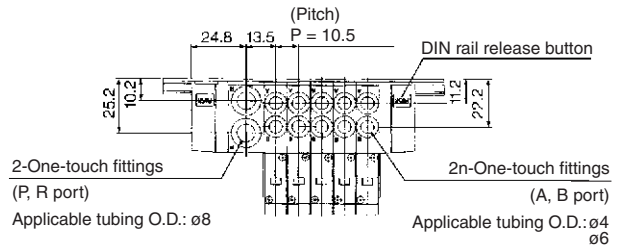
L plug connector



M plug connector

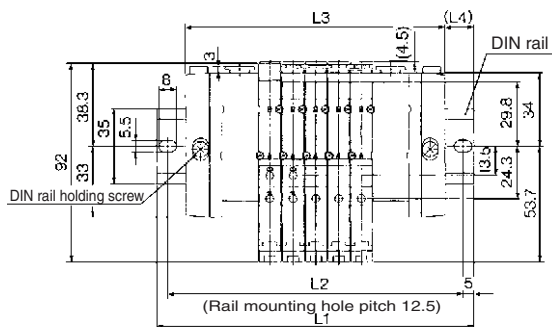
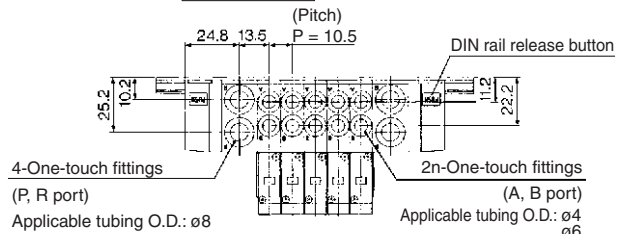


SS5X3-45- Stations U-^{C4}_{C6}



	(mm)									
Stations n	2 stations	3	4	5	6	7	8	9	10 stations	
L1	98	110.5	123	135.5	148	148	160.5	173	185.5	
L2	87.5	100	112.5	125	137.5	137.5	150	162.5	175	
L3	70.5	81	91.5	102	112.5	123	133.5	144	154.5	
L4	13.5	14.5	15.5	16.5	17.5	12.5	13.5	14.5	15.5	

SS5X3-45- Stations B-^{C4}_{C6}

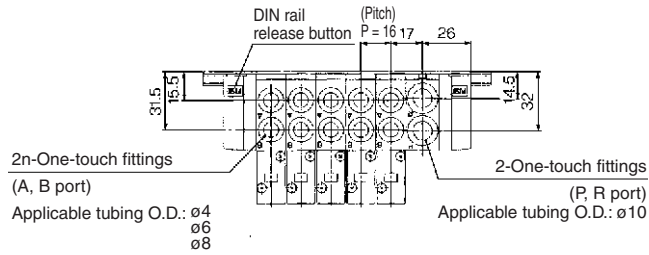


	(mm)									
Stations n	2 stations	3	4	5	6	7	8	9	10 stations	
L1	110.5	123	135.5	148	160.5	173	185.5	185.5	198	
L2	100	112.5	125	137.5	150	162.5	175	175	187.5	
L3	87	97.5	108	118.5	129	139.5	150	160.5	171	
L4	11.5	12.5	13.5	14.5	15.5	16.5	17.5	12.5	13.5	

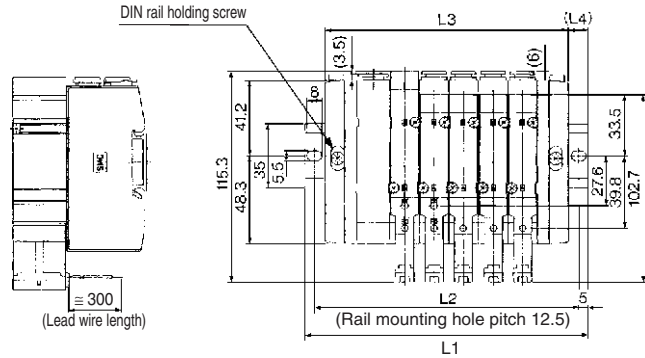
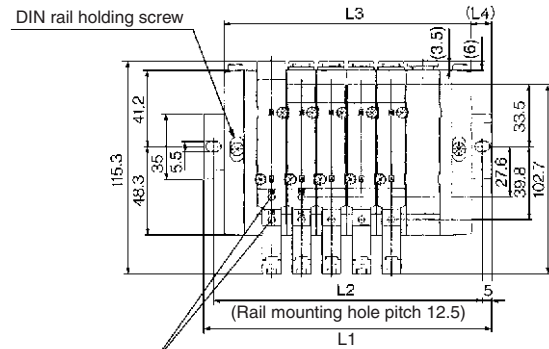
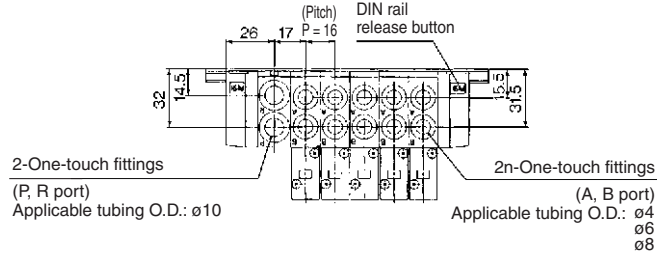
	(mm)									
Stations n	11 stations	12	13	14	15	16	17	18	19	20 stations
L1	210.5	223	235.5	248	248	260.5	273	285.5	298	310.5
L2	200	212.5	225	237.5	237.5	250	262.5	275	287.5	300
L3	181.5	192	202.5	213	223.5	234	244.5	255	265.5	276
L4	14.5	15.5	16.5	17.5	12	13	14	15	16	17

Dimensions: Series SX5000

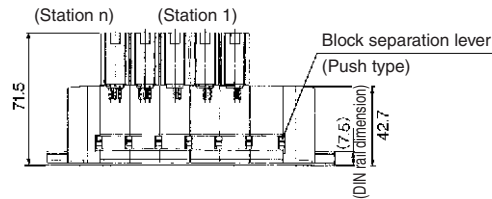
SS5X5-45- Stations D- C4
C6
C8



SS5X5-45- Stations U- C4
C6
C8

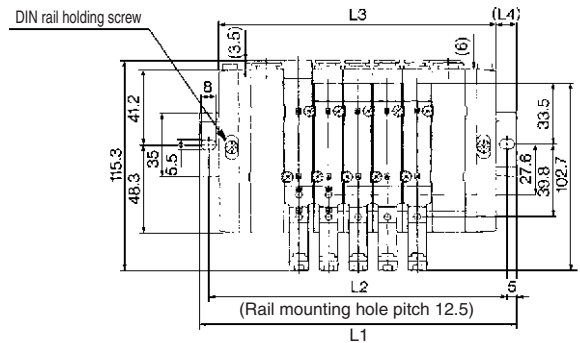
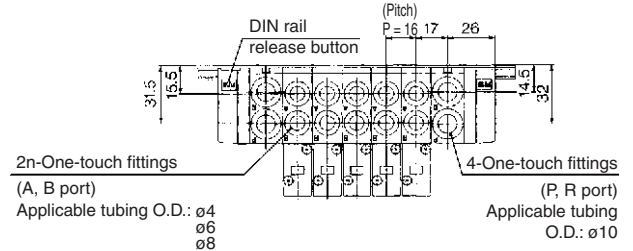


Manual override
(Press and turn for the locking type.)
A: Orange
B: Green



Stations n	2 stations	3	4	5	6	7	8	9	10 stations
L1	110.5	135.5	148	160.5	173	198	210.5	223	235.5
L2	100	125	137.5	150	162.5	187.5	200	212.5	225
L3	84	100	116	132	148	164	180	196	212
L4	13	17.5	16	14	12.5	17	15	13.5	11.5

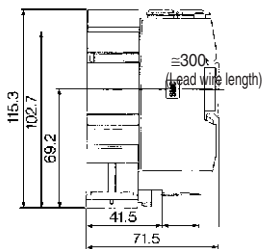
SS5X5-45- Stations B- C4
C6
C8



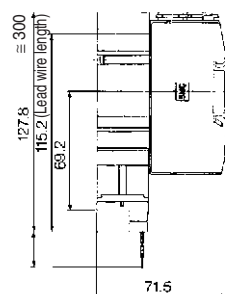
Stations n	2 stations	3	4	5	6	7	8	9	10 stations
L1	135.5	148	160.5	185.5	198	210.5	223	248	260.5
L2	125	137.5	150	175	187.5	200	212.5	237.5	250
L3	102	118	134	150	166	182	198	214	230
L4	16.5	15	13	17.5	16	14	12.5	17	15

Stations n	11 stations	12	13	14	15	16	17	18	19	20 stations
L1	273	285.5	310.5	323	335.5	360.5	373	385.5	398	423
L2	262.5	275	300	312.5	325	350	362.5	375	387.5	412.5
L3	246	262	278	294	310	326	342	358	374	390
L4	13.5	11.5	16	14.5	12.5	17	15.5	13.5	12	16.5

L plug connector



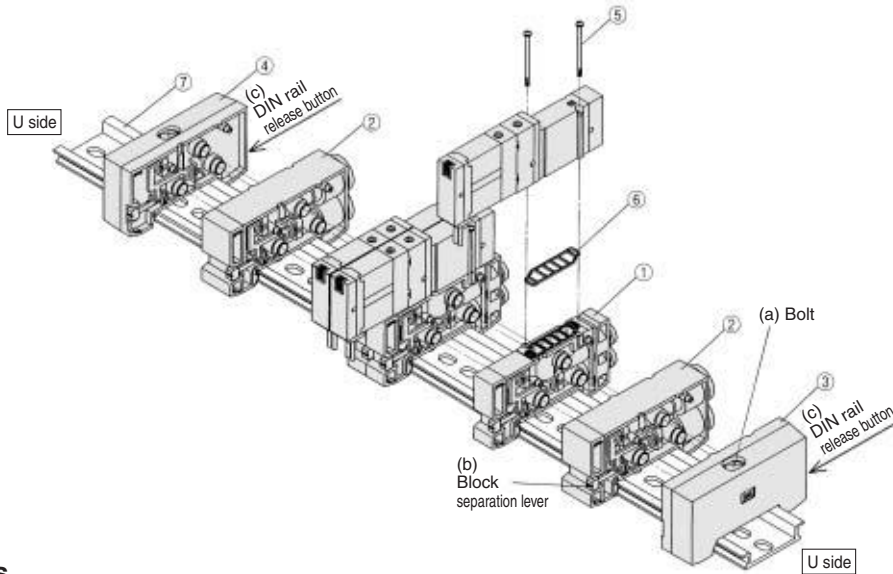
M plug connector



- SV
- SZ
- SY
- SYJ
- SX

Exploded View/DIN Rail Manifold

Type 45



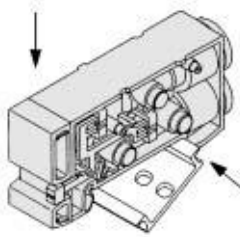
Replacement Parts

No.	Description	Part no.		Note
		SX3000	SX5000	
①	Manifold block assembly	SX3000-50-1A-□□ □□	SX5000-50-1A-C6 □□ □□	<ul style="list-style-type: none"> SX3000 (Metric size) <ul style="list-style-type: none"> C4: With One-touch fitting for ø4 C6: With One-touch fitting for ø6 SX5000 (Metric size) <ul style="list-style-type: none"> C4: With One-touch fitting for ø4 C6: With One-touch fitting for ø6 C8: With One-touch fitting for ø8 (Inch size) <ul style="list-style-type: none"> N3: With One-touch fitting for ø5/32" N7: With One-touch fitting for ø1/4" (Inch size) <ul style="list-style-type: none"> N3: With One-touch fitting for ø5/32" N7: With One-touch fitting for ø1/4" N9: With One-touch fitting for ø5/16" (Gasket ⑥ is included.)
②	SUP/EXH block assembly	(Metric size) SX3000-51-1A (Inch size) SX3000-51-15A	(Metric size) SX5000-51-1A (Inch size) SX3000-51-15A	P, R port SX3000 (Metric size) With One-touch fitting for ø8 (Inch size) With One-touch fittings for ø5/16"
③	End block assembly R	SX3000-52-1A	SX5000-52-1A	For D side
④	End block assembly L	SX3000-53-1A	SX5000-53-1A	For U side
⑤	Round head combination screw	SX3000-22-2 (M2 x 24)	M3 x 30 (Matt nickel plated)	
⑥	Gasket	SX3000-57-4	SX5000-57-6	
⑦	DIN rail	VZ1000-11-1-□		Refer to page 1-6-77.

How to Increase Manifold Bases

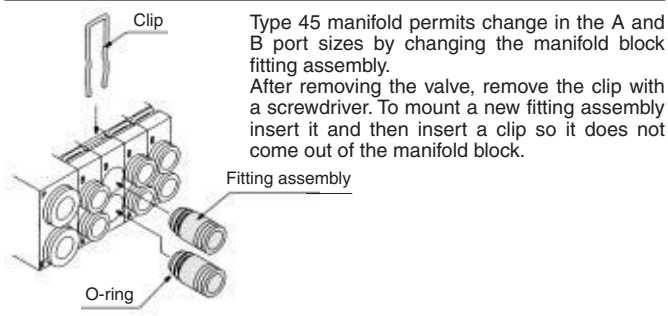
- Station expansion is possible at any position.
- Loosen bolt (a) fixing the manifold base until it begins to turn idly. (While pressing DIN rail release buttons (c) at two locations, separate the manifold base from the DIN rail.)
 - Press manifold block assembly splitting button (b), that are at the location where manifold bases are to be added, until button (b) locks, and then separate the block assemblies.
 - Mount additional manifold block assembly on the DIN rail as shown in the figure.
 - Press the block assembly until a click sound is produced, and tighten the bolts (a) to fix them to the DIN rail.
⚠ Caution (Tightening torque: 1.4 N·m)
 (While lightly holding the blocks after fixing an end block on one side, tighten the other end block for better sealing.)

Fig. (1) Block mounting procedure



- ⚠ Caution**
- When adding manifold bases to use more than 10 stations, add SUP/EXH block assembly, as well.
 - When bolt (a) for the end block is not sufficiently tightened during reassembly, air leakage may result. Before supplying air, check that there is no gap between blocks and that the manifold block is firmly fixed to the DIN rail in order to ensure air supply without leakage.
- Hook this section on the DIN rail and press in the direction of the arrow until a click sound is generated.

How to Change Fitting Assembly



Fitting Assembly Part No.

Metric size		
SX3000	One-touch fitting for ø4	VVQ1000-50A-C4
	One-touch fitting for ø6	VVQ1000-50A-C6
SX5000	One-touch fitting for ø4	VVQ1000-51A-C4
	One-touch fitting for ø6	VVQ1000-51A-C6
	One-touch fitting for ø8	VVQ1000-51A-C8

Inch size		
SX3000	One-touch fitting for ø5/32"	VVQ1000-50A-N3
	One-touch fitting for ø1/4"	VVQ1000-50A-N7
SX5000	One-touch fitting for ø5/32"	VVQ1000-51A-N3
	One-touch fitting for ø1/4"	VVQ1000-51A-N7
	One-touch fitting for ø5/16"	VVQ1000-51A-N9

Note 1) P and R ports cannot be changed.
 Note 2) Use caution that O-rings must be free from scratches and dust. Otherwise, air leakage may result.

SV

SZ

SY

SYJ

SX

Courtesy of Steven Engineering, Inc.-230 Ryan Way, South San Francisco, CA 94080-6370-Main Office: (650) 588-9200-Outside Local Area: (800) 255-9200-www.stevenengineering.com

Series SX3000/5000 Base Mounted Manifold Stacking Type DIN Rail Mounted Plug-in

Type 45 45

How to Order Manifold

Type 45F (D-sub connector, 25 pins type)

SS5X 3 - 45 F D - 05 U - C4

Series

3	SX3000
5	SX5000

Common specifications

Symbol	Mounting position
Nil	Positive common
N	Negative common

Valve stations

Symbol	Stations	Note
02	2 stations	Double wiring specifications ⁽¹⁾
:	:	
10	10 stations	Available up to 20 solenoids. Specify the wiring specifications on the manifold specification sheet.
02	2 stations	
:	:	
20	20 stations	

• This also includes the number of blanking plate assembly.
 Note 1) Double wiring specifications: Single, double and 3 position solenoid valves can be used on all manifold stations.
 Note 2) Specified layout: Indicate wiring specifications on the manifold specification sheet. (Note that double and 3 position valves cannot be used where single solenoid wiring has been specified.)

SUP/EXH block assembly mounting position

Symbol	Mounting position	Stations
U	U side	2 to 10 stations
D	D side	2 to 10 stations
B	Both sides	2 to 20 stations
M	Special specifications	

* For special specifications, indicate separately by the manifold specification sheet.

A, B port size (Metric size)

Symbol	Port size	Applicable series
C4	One-touch fitting for ø4	SX3000
C6	One-touch fitting for ø6	
M	Mixed	
C4	One-touch fitting for ø4	SX5000
C6	One-touch fitting for ø6	
C8	One-touch fitting for ø8	
M	Mixed	

(Inch size)

Symbol	Port size	Applicable series
N3	One-touch fitting for ø5/32"	SX3000
N7	One-touch fitting for ø1/4"	
M	Mixed	
N3	One-touch fitting for ø5/32"	SX5000
N7	One-touch fitting for ø1/4"	
N9	One-touch fitting for ø5/16"	
M	Mixed	

* In the case of mixed specifications (M), indicate separately on the manifold specification sheet.

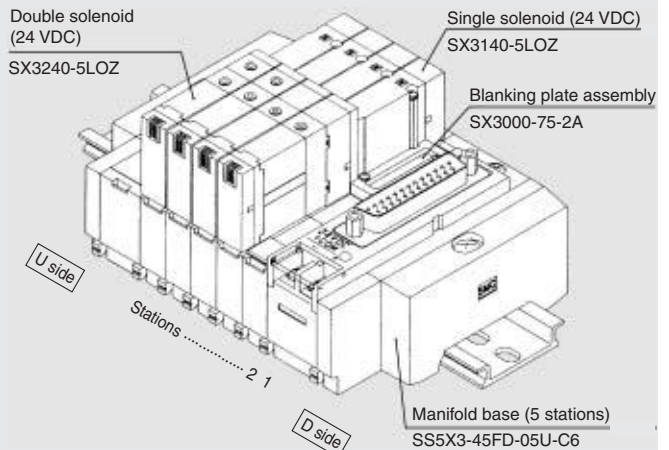
Voltage

Nil	24 VDC
12V	12 VDC

Option
 When a longer DIN rail is desired than the specified stations, specify the station number to be required. (20 stations at maximum)

How to Order Valve Manifold Assembly

Ordering example (Type 45F/D-sub connector (25 pins) type)



SS5X3-45FD-05U-C6 .. 1 set (Type 45F D-sub connector 5 stations manifold base no.)
 *SX3000-75-2A 1 set (Blanking plate assembly part no.)
 *SX3140-5LOZ 2 sets (Single solenoid part no.)
 *SX3240-5LOZ 2 sets (Double solenoid part no.)

* The asterisk denotes the symbol for assembly. Prefix it to the part nos. of the solenoid valve, etc.

- They will be assembled in the order listed starting at the first station at the D side even if the connector box is located at either end. When ordering with the double wiring specification, specify it in order, beginning with the 1 station on the D side.
- When special wiring is required, use the manifold specification sheet.

How to Order Valves (Type 45F, 45P□, 45T, 45T1)

SX 3 2 40 - 5 LOZ

Series

3	SX3000
5	SX5000

Type of actuation

1	2 position single
2	2 position double
3	3 position closed center
4	3 position exhaust center
5	3 position pressure center

Rated voltage

5	24 VDC
6	12 VDC
V*	6 VDC
S*	5 VDC
R*	3 VDC

* Only Type 45T and 45T1 are available.

Common specifications

Nil	Positive common
N	Negative common

* Common specifications for the valve must correspond with common specifications for the manifold.

Manual override

Nil	Non-locking push type
D	Push-turn locking slotted type

How to Order Manifold

Type 45P (Flat ribbon cable type)



Series

3	SX3000
5	SX5000

Common specifications

Nil	Positive common
N	Negative common

Connector poles

Symbol	Poles	Stations
Nil	26	2 to 20 stations
G	20	2 to 16 stations
H	10	2 to 8

Connector mounting position

Symbol	Mounting position
U	U side
D	D side

SUP/EXH block assembly mounting position

Symbol	Mounting position	Stations
U	U side	2 to 10 stations
D	D side	2 to 10 stations
B	Both sides	2 to 20 stations
M	Special specifications	

* For special specifications, indicate separately by the manifold specification sheet.

A, B port size (Metric size)

Symbol	Port size	Applicable series
C4	One-touch fitting for ø4	SX3000
C6	One-touch fitting for ø6	
M	Mixed	
C4	One-touch fitting for ø4	SX5000
C6	One-touch fitting for ø6	
C8	One-touch fitting for ø8	
M	Mixed	

(Inch size)

Symbol	Port size	Applicable series
N3	One-touch fitting for ø5/32"	SX3000
N7	One-touch fitting for ø1/4"	
M	Mixed	
N3	One-touch fitting for ø5/32"	SX5000
N7	One-touch fitting for ø1/4"	
N9	One-touch fitting for ø5/16"	
M	Mixed	

* In the case of mixed specifications (M), indicate separately on the manifold specification sheet.

Valve stations (Blanking plate assemblies are included.)

26 pins (P) connector

Symbol	Stations	Note
02	2 stations	Double wiring ⁽¹⁾ specifications
⋮	⋮	
10	10 stations	Applicable up to 20 ⁽²⁾ solenoids.
02	2 stations	
⋮	⋮	
20	20 stations	

20 pins (PG) connector

Symbol	Stations	Note
02	2 stations	Double wiring ⁽¹⁾ specifications
⋮	⋮	
08	8 stations	Applicable up to 16 ⁽²⁾ solenoids.
02	2 stations	
⋮	⋮	
16	16 stations	

10 pins (PH) connector

Symbol	Stations	Note
02	2 stations	Double wiring ⁽¹⁾ specifications
⋮	⋮	
04	4 stations	Applicable up to 8 ⁽²⁾ solenoids.
02	2 stations	
⋮	⋮	
08	8 stations	

Note 1) Double wiring specifications: Single, double and 3 position solenoid valves can be used on all manifold stations.

Note 2) Specified layout: Indicate wiring specifications on the manifold specification sheet. (Note that double and 3 position valves cannot be used where single solenoid wiring has been specified.)

Type 45T (9 pins terminal block type)



Series

3	SX3000
5	SX5000

Terminal block mounting position

Symbol	Mounting position
U	U side
D	D side

Valve stations

Symbol	Stations	Note
02	2 stations	Double wiring ⁽¹⁾ specifications
⋮	⋮	
04	4 stations	Applicable up to 8 ⁽²⁾ solenoids.
02	2 stations	
⋮	⋮	
08	8 stations	

* This also includes the number of blanking plate assemblies.

SUP/EXH block assembly mounting position

Symbol	Mounting position	Stations
U	U side	2 to 8
D	D side	2 to 8
B	Both sides	2 to 8
M	Special specifications	

* For special specifications, indicate separately by the manifold specification sheet.

Option
When a longer DIN rail is desired than the specified stations, specify the station number to be required. (20 stations maximum)

A, B port size (Metric size)

Symbol	Port size	Applicable series
C4	One-touch fitting for ø4	SX3000
C6	One-touch fitting for ø6	
M	Mixed	
C4	One-touch fitting for ø4	SX5000
C6	One-touch fitting for ø6	
C8	One-touch fitting for ø8	
M	Mixed	

(Inch size)

Symbol	Port size	Applicable series
N3	One-touch fitting for ø5/32"	SX3000
N7	One-touch fitting for ø1/4"	
M	Mixed	
N3	One-touch fitting for ø5/32"	SX5000
N7	One-touch fitting for ø1/4"	
N9	One-touch fitting for ø5/16"	
M	Mixed	

* In the case of mixed specifications (M), indicate separately on the manifold specification sheet.

Type 45T1 (18 pins terminal block type)



Series

3	SX3000
5	SX5000

Terminal block mounting position

Symbol	Mounting position
U	U side
D	D side

Valve stations

Symbol	Stations	Note
02	2 stations	Double wiring ⁽¹⁾ specifications
⋮	⋮	
08	8 stations	Applicable up to 17 ⁽²⁾ solenoids.
02	2 stations	
⋮	⋮	
17	17	

* This also includes the number of blanking plate assemblies.

SUP/EXH block assembly mounting position

Symbol	Mounting position	Stations
U	U side	2 to 10 stations
D	D side	2 to 10 stations
B	Both sides	2 to 17
M	Special specifications	

* For special specifications, indicate separately by the manifold specification sheet.

Option
When a longer DIN rail is desired than the specified stations, specify the station number to be required. (20 stations maximum)

A, B port size (Metric size)

Symbol	Port size	Applicable series
C4	One-touch fitting for ø4	SX3000
C6	One-touch fitting for ø6	
M	Mixed	
C4	One-touch fitting for ø4	SX5000
C6	One-touch fitting for ø6	
C8	One-touch fitting for ø8	
M	Mixed	

(Inch size)

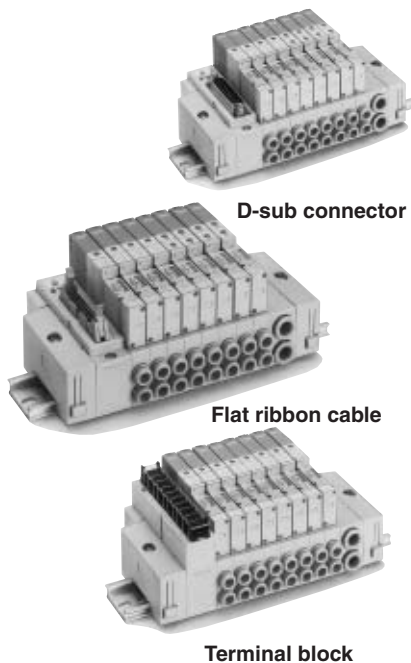
Symbol	Port size	Applicable series
N3	One-touch fitting for ø5/32"	SX3000
N7	One-touch fitting for ø1/4"	
M	Mixed	
N3	One-touch fitting for ø5/32"	SX5000
N7	One-touch fitting for ø1/4"	
N9	One-touch fitting for ø5/16"	
M	Mixed	

* In the case of mixed specifications (M), indicate separately on the manifold specification sheet.

Note 1) Double wiring specifications: Single, double and 3 position solenoid valves can be used on all manifold stations.

Note 2) Specified layout: Indicate wiring specifications on the manifold specification sheet. (Note that double and 3 position valves cannot be used where single solenoid wiring has been specified.)

Note 3) The terminal block (45T) manifold has no common polarity. It can be used for both positive and negative common.



Manifold Specifications

Model	D-sub connector Type 45F	Flat ribbon cable type 45P□			Terminal block		Flat ribbon cable PC wiring system compatible	
		Type 45P	Type 45PG	Type 45PH	Type 45T	Type 45T1		Type 45G
Manifold		Plug-in type						
P(SUP), R(EXH)		Common SUP/Common EXH						
Valve stations Note)		2 to 20 stations	2 to 16 stations	2 to 8 stations	2 to 17 stations	2 to 16 stations		
A, B porting specifications		Location						Base
		Direction						Side
Port size		P, R port	SX3000					C8 (One-touch fitting for ø8)
		A, B port	SX5000					C10 (One-touch fitting for ø10)
Connector		D-sub connector: Conforms to MIL-C-24308	Flat ribbon cable connector socket: 26 pins MIL with strain relief; Conforming to MIL-C-83503	Flat ribbon cable connector socket: 20 pins MIL with strain relief; Conforming to MIL-C-83503	Flat ribbon cable connector socket: 10 pins MIL with strain relief; Conforming to MIL-C-83503	Terminal block (M3) 9 pins	Terminal block (M3) 18 pins	Flat ribbon cable connector socket: 20 pins MIL with strain relief; Conforming to MIL-C-83503
		Internal wiring		+COM (Type 45□), -COM (Type 45N□)		In common between +COM and -COM.		+ COM
Manifold base weight W (g) n: Stations (D-sub connector)		SX3000	2 to 10 stations: W = 26n + 172 11 to 20 stations: W = 26n + 199					
		SX5000	2 to 10 stations: W = 54n + 227 11 to 20 stations: W = 54n + 264					

Note) There is a limit to the number of stations available depending on the number of solenoids required. Please refer to the "How to Order". For more than 10 stations, supply pressure through the "P" ports at both ends of the manifold exhaust through both ends as well.

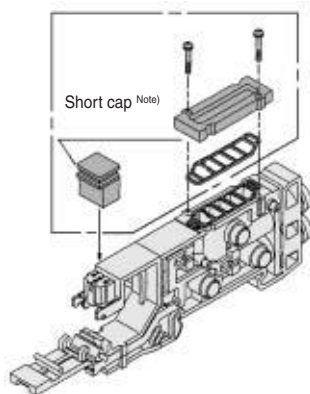
Flow Characteristics

Model	Port size		Flow characteristics					
	1, 5, 3 (P, EA, EB)	4, 2 (A, B)	1 → 4/2 (P → A/B)			4/2 → 5/3 (A/B → EA/EB)		
			C [dm ³ / (s-bar)]	b	Cv	C [dm ³ / (s-bar)]	b	Cv
SS5X3-45I	C8	C6	0.88	0.21	0.22	0.95	0.18	0.22
SS5X5-45I	C10	C8	2.2	0.24	0.53	2.5	0.18	0.58

Note) The value is for manifold base with 5 stations and individually operated 2 position type.

Manifold Option

■ **Blanking plate assembly**



Series	Assembly part no.
SX3000	SX3000-75-2A
SX5000	SX5000-76-2A

Note) When mounting blanking plate, be sure to mount a short cap.

■ **SUP block disk**

By installing a SUP block disk in the pressure supply passage of a manifold valve, it is possible to supply two or more different high and low pressures to one manifold.



Series	Part no.
SX3000	SX3000-77-1A
SX5000	SX5000-77-1A

■ **EXH block disk**

By installing an EXH block disk in the exhaust passage of a manifold valve, it is possible to divide the valve's exhaust so that it does not affect another valve. (Two block disks are needed to divide both exhausts.)



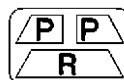
Series	Part no.
SX3000	SX3000-77-1A
SX5000	SX5000-77-1A

■ **Label for block disk**

The labels shown below are used on manifold stations containing SUP/EXH block disk(s) to show their location. (3 pcs. each)

VZ3000-123-1A (In common between SX3000 and 5000)

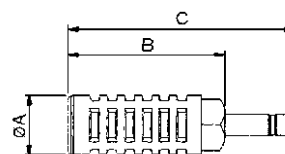
Label for SUP block disk Label for EXH block disk Label for SUP/EXH block disk



Note) When a block disk is concurrently ordered by specifying on the manifold specification sheet, etc., a label will be stuck on the position where block disk is mounted.

■ **Silencer with One-touch fitting**

This silencer can be mounted on the manifold's port R (exhaust) with a single touch.

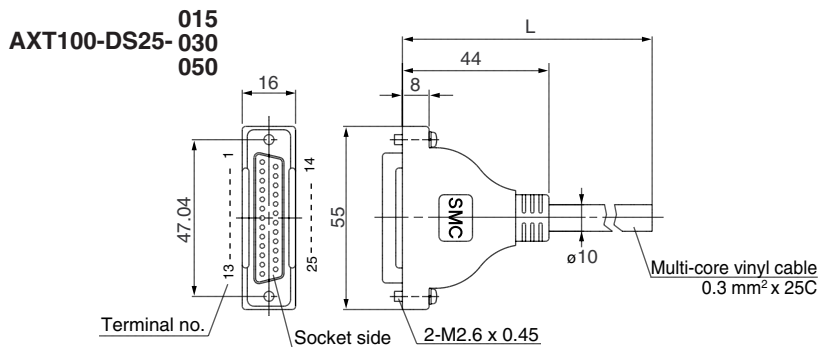


Series	Model	Effective area	A	B	C
SX3000 (ø8)	AN203-KM8	14 mm ²	16	26	51
	AN200-KM10	26 mm ²	22	53.8	80.8
SX5000 (ø10)	AN300-KM10	30 mm ²	25	70	97

SV
SZ
SY
SYJ
SX

Manifold Option

D-sub connector (25 pins)/Cable assembly



D-sub Connector Cable Assembly Terminal No.

Terminal no.	Lead wire color	Dot marking
1	Black	None
2	Brown	None
3	Red	None
4	Orange	None
5	Yellow	None
6	Pink	None
7	Blue	None
8	Purple	White
9	Gray	Black
10	White	Black
11	White	Red
12	Yellow	Red
13	Orange	Red
14	Yellow	Black
15	Pink	Black
16	Blue	White
17	Purple	None
18	Gray	None
19	Orange	Black
20	Red	White
21	Brown	White
22	Pink	Red
23	Gray	Red
24	Black	White
25	White	None

D-sub Connector Cable Assembly

Cable length (L)	Assembly part no.	Note
1.5 m	AXT100-DS25-015	Cable 25 cores x 24AWG
3 m	AXT100-DS25-030	
5 m	AXT100-DS25-050	

* For other commercial connectors, use a 25 pins type with female connector conforming to MIL-C-24308.

Electric Characteristics

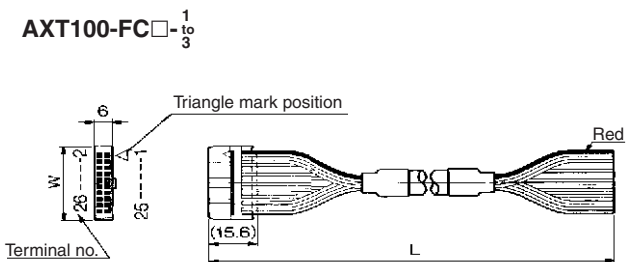
Item	Characteristics
Conductor resistance $\Omega/\text{km}, 20^\circ\text{C}$	65 or less
Voltage limit VAC, 1 min.	1000
Insulation resistance $M\Omega/\text{km}, 20^\circ\text{C}$	5 or less

* The minimum bending radius of D-sub connector cable assembly is 20 mm.

Connector manufacturers' example

- Hirose Electric Co., Ltd.
- Fujitsu Limited
- Japan Aviation Electronics Industry, Ltd.
- J.S.T. Mfg. Co., Ltd.

Flat ribbon cable connector/Cable assembly



Flat Ribbon Cable Assembly

Cable length (L)	10 pins	20 pins	26 pins
1.5 m	AXT100-FC10-1	AXT100-FC20-1	AXT100-FC26-1
3 m	AXT100-FC10-2	AXT100-FC20-2	AXT100-FC26-2
5 m	AXT100-FC10-3	AXT100-FC20-3	AXT100-FC26-3
Connector width (W)	17.2	30	37.5

* For other commercial connectors, use a type with strain relief that conform to MIL-C-83503.

Connector manufacturers' example

- Hirose Electric Co., Ltd.
- Sumitomo 3M Limited
- Fujitsu Limited
- Japan Aviation Electronics Industry, Ltd.
- J.S.T. Mfg. Co., Ltd.

Caution

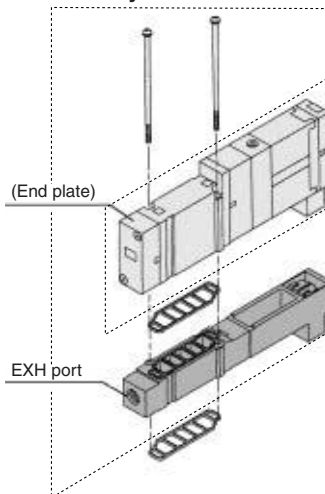
Mounting screw tightening torques

M2: 0.17 N·m
M3: 0.8 N·m
M4: 1.4 N·m

Warning

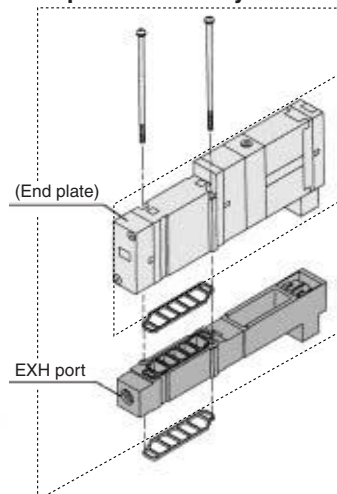
When mounting a valve or spacer on the manifold base or sub-plate, etc., those mounting directions are determined. If mounted in the wrong direction, the equipment to be connected may cause malfunction. Refer to external dimensions in pages 1-6-92 to 1-6-109, and then mount it.

Individual SUP spacer assembly



Series	Assembly part no.	Port size
SX3000	SX3000-38-3A	M5 x 0.8
SX5000	SX5000-38-17A	1/8

Individual EXH spacer assembly



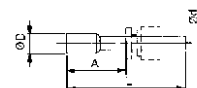
Series	Assembly part no.	Port size
SX3000	SX3000-39-3A	M5 x 0.8
SX5000	SX5000-39-17A	1/8

Plug

Inserted into an unused cylinder port and SUP/EXH ports. Purchasing order is available in units of 10 pieces.

* Thread type

Nil	Rc
F	G
N	NPT
T	NPTF



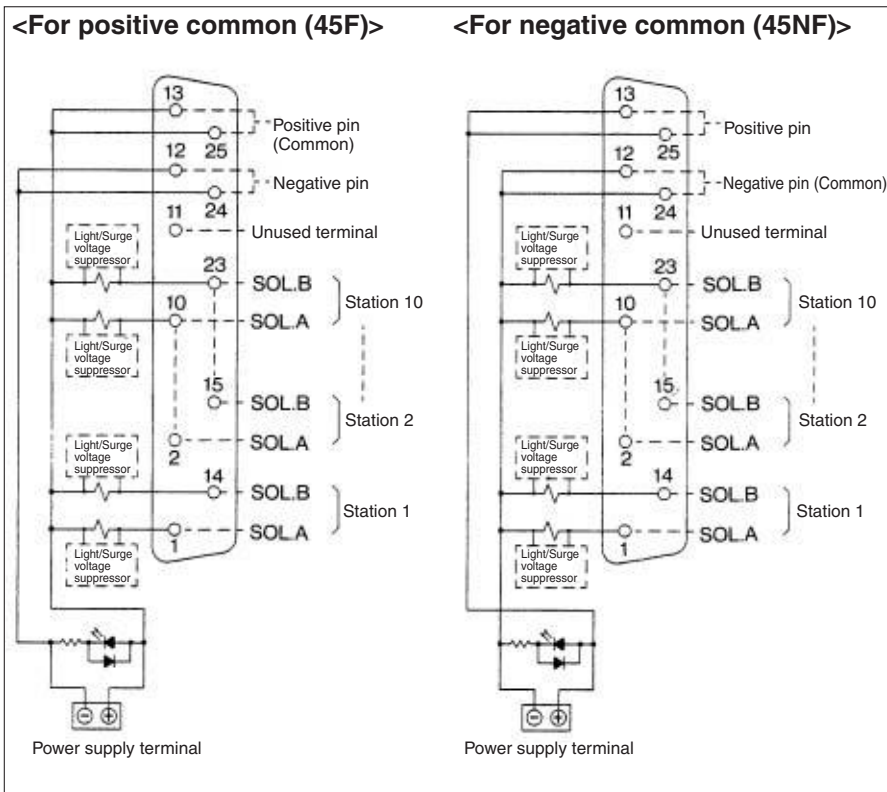
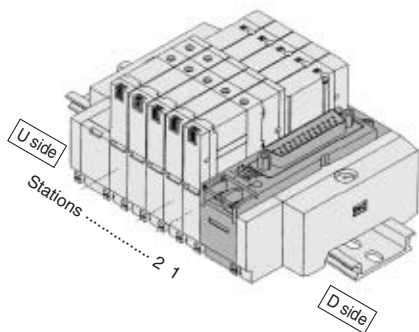
Dimensions

Applicable fittings size ϕ d	Model	A	L	D
4	KQ2P-04	16	32	6
6	KQ2P-06	18	35	8
8	KQ2P-08	20.5	39	10
10	KQ2P-10	22	43	12
5/32"	KQ2P-03	16	32	6
1/4"	KQ2P-07	18	35	8.5
5/16"	KQ2P-09	20.5	39	10
3/8"	KQ2P-11	22	43	11.5

Internal Wiring of Manifold

Type 45(N)F: D-sub Connector

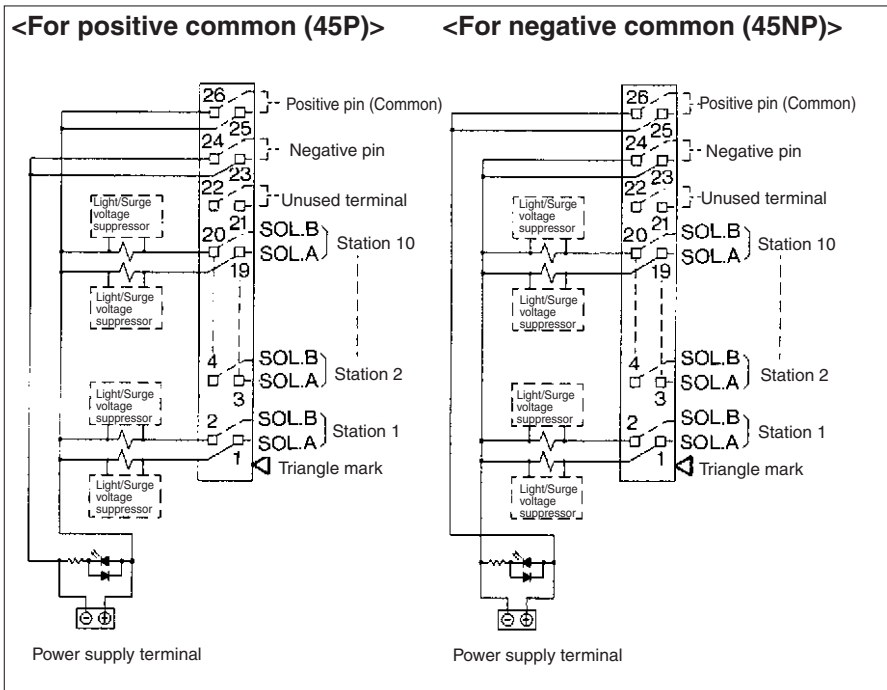
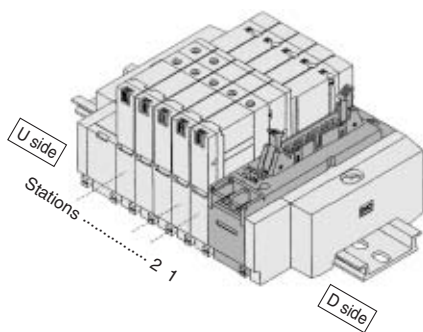
A D-sub connector used for electric wiring reduces labor during wiring operation. Connectors conforming to MIL are used for interchangeability.



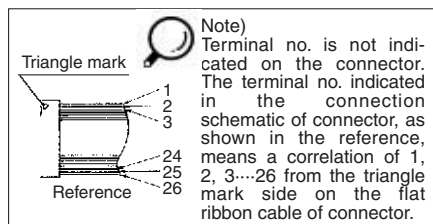
- The power source terminal is used for connecting to an external power source.
- The above diagram is the double wiring specifications for up to 10 stations. When the wiring specifications are specified on the manifold specification sheet, the valve assignment for the connector number will differ from the above diagram. For more information, please contact SMC.
- When using a single solenoid valve, connect wire to SOL.A.
- The maximum number of stations is 20 in terms of manifold bases, as well as solenoids. (Please consult with SMC for more stations.)
- Regardless of the connector mounting position, stations are to be counted from D side as the 1st one.

Type 45(N)P: Flat Ribbon Cable (26 pins)

A flat cable connector used for electric wiring reduces labor during wiring operation. Connectors conforming to MIL are used for interchangeability.



- The power source terminal is used for connecting to an external power source.
- The above diagram is the double wiring specifications for up to 10 stations. When the wiring specifications are specified on the manifold specification sheet, the valve assignment for the connector number will differ from the above diagram. For more information, please contact SMC.
- When using a single solenoid valve, connect wire to SOL.A.
- The maximum number of stations is 20 in terms of manifold bases, as well as solenoids. (Please consult with SMC for more stations.)
- Regardless of the connector mounting position, stations are to be counted from D side as the 1st one.



SV

SZ

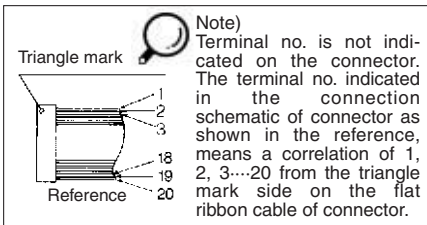
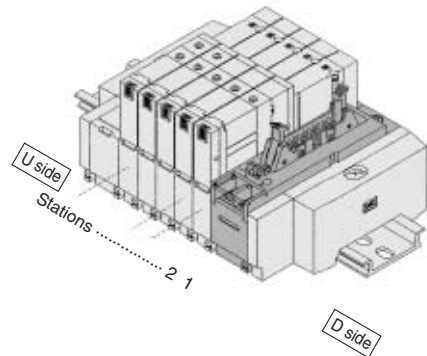
SY

SYJ

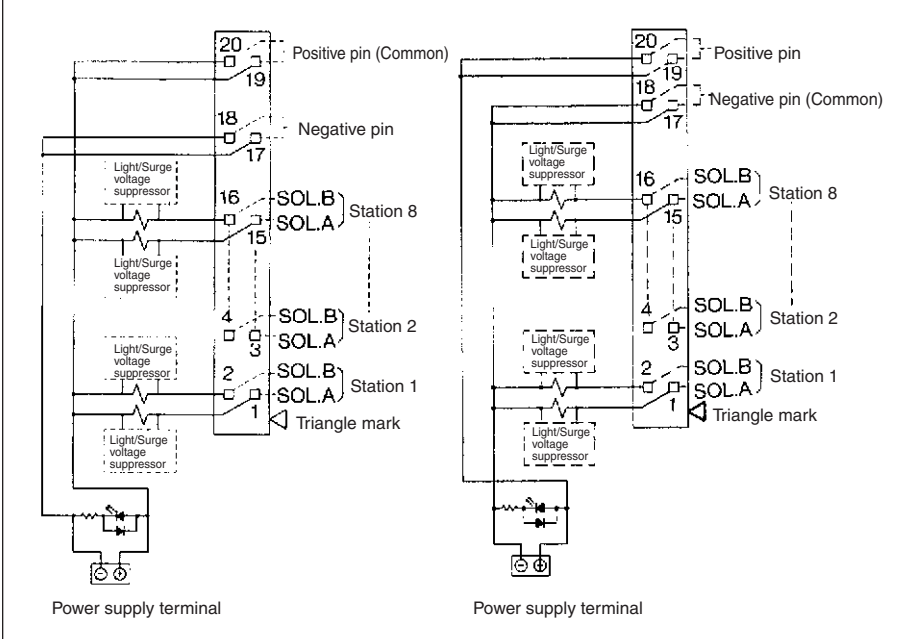
SX

Type 45(N)PG: Flat Ribbon Cable (20 pins)

A flat cable connector used for electric wiring reduces labor during wiring operation. Connectors conforming to MIL are used for interchangeability.



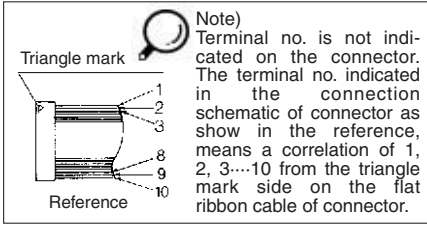
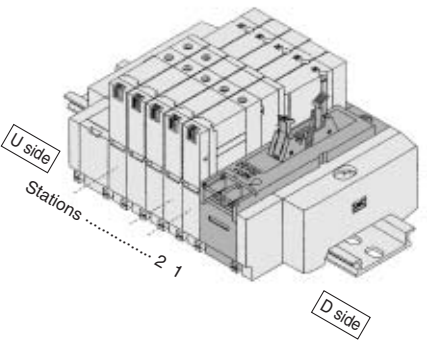
<For positive common (45PG)> <For negative common (45NPG)>



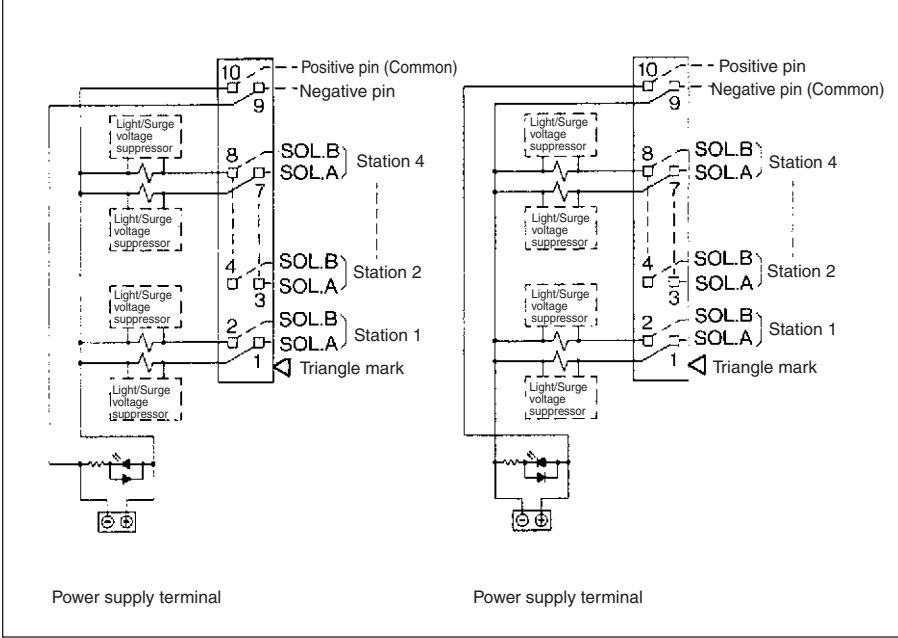
- The power source terminal is used for connecting to an external power source.
- The above diagram is the double wiring specifications for up to 8 stations. When the wiring specifications are specified on the manifold specification sheet, the valve assignment for the connector number will differ from the above diagram. For more information, please contact SMC.
- When using a single solenoid valve, connect wire to SOL.A.
- The maximum number of stations is 16 in terms of manifold bases, as well as solenoids. (Please consult with SMC for more stations.)
- Regardless of the connector mounting position, stations are to be counted from D side as the 1st one.

Type 45(N)PH: Flat Ribbon Cable (10 pins)

A flat cable connector used for electric wiring reduces labor during wiring operation. Connectors conforming to MIL are used for interchangeability.



<For positive common (45PH)> <For negative common (45NPH)>



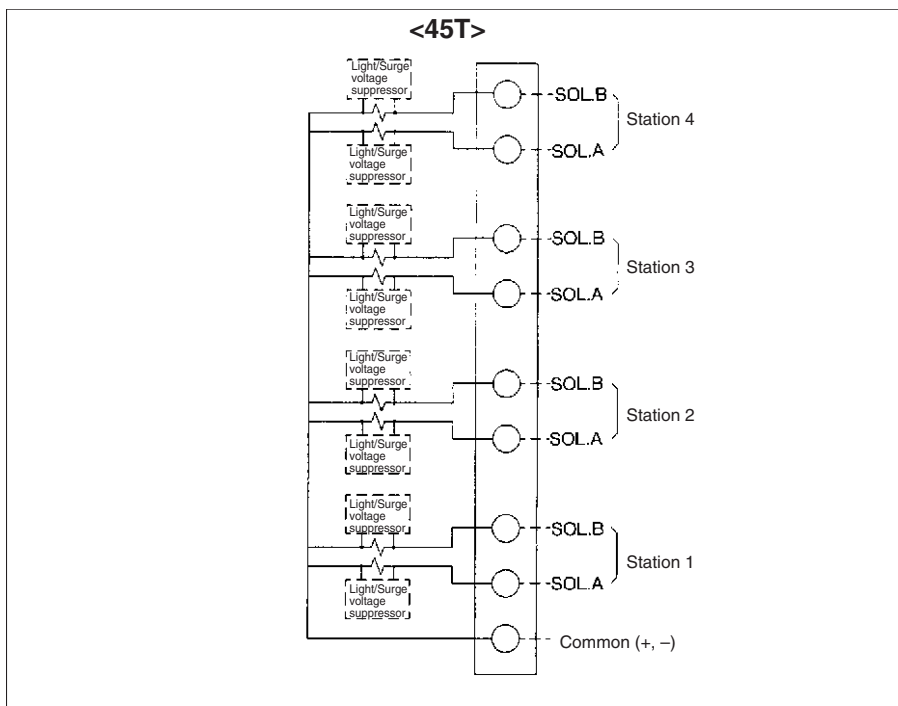
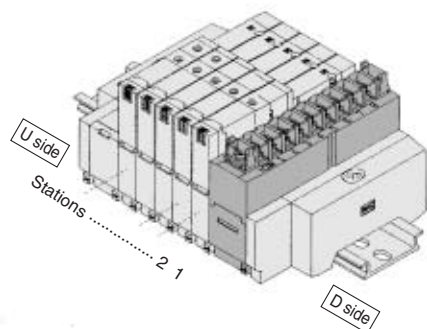
- The power source terminal is used for connecting to an external power source.
- The above diagram is the double wiring specifications for up to 4 stations. When the wiring specifications are specified on the manifold specification sheet, the valve assignment for the connector number will differ from the above diagram. For more information, please contact SMC.
- When using a single solenoid valve, connect wire to SOL.A.
- The maximum number of stations is 8 in terms of manifold bases, as well as solenoids. (Please consult with SMC for more stations.)
- Regardless of the connector mounting position, stations are to be counted from D side as the 1st one.

Courtesy of Steven Engineering, Inc.-230 Ryan Way, South San Francisco, CA 94080-6370-Main Office: (650) 588-9200-Outside Local Area: (800) 258-9200-www.stevenengineering.com

Internal Wiring of Manifold

Type 45T: Terminal Block

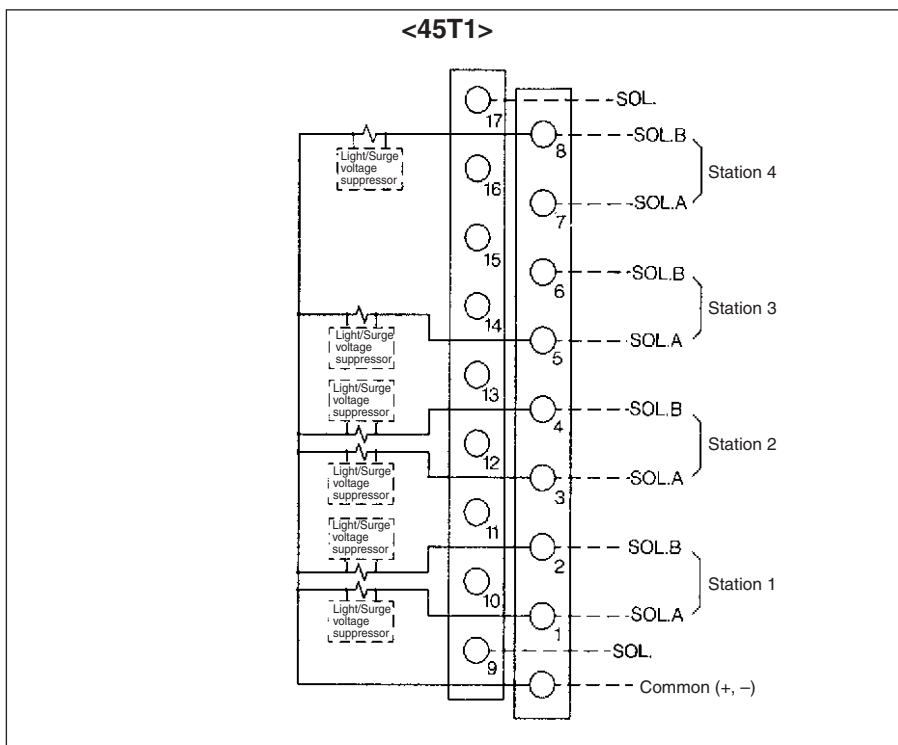
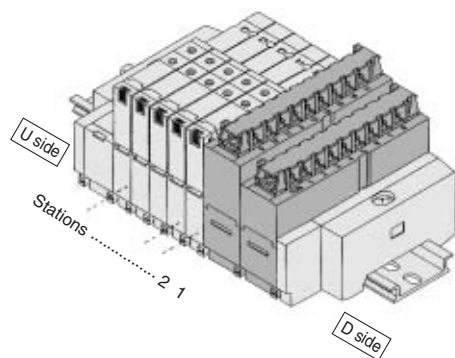
A terminal block style permits direct cable connection without treatment of lead wires.



- SV
- SZ
- SY
- SYJ
- SX

- The maximum number of stations is 8 in terms of manifold bases, as well as solenoids. (Please consult with SMC for more stations.)
- The above diagram is the double wiring specifications for up to 4 stations. When the wiring specifications are specified on the manifold specification sheet, the valve assignment for the connector number will differ from the above diagram. For more information, please contact SMC.
- When using a single solenoid valve, connect wire to SOL.A.
- Regardless of the connector mounting position, stations are to be counted from D side as the 1st one.
- There is no polarity in the COM wiring. Supply positive power for +COM spec. and negative power for -COM spec.

Type 45T1: Terminal Block



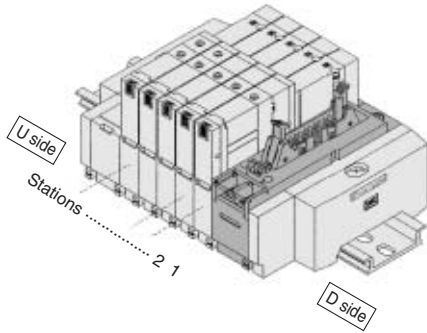
- The maximum number of stations is 17 in terms of manifold bases, as well as solenoids. (For more stations, please contact SMC.)
- Regardless of the connector mounting position, stations are to be counted from D side as the 1st one.
- There is no polarity in the COM wiring. Supply positive power for +COM spec. and negative power for -COM spec.

Courtesy of Steven Engineering, Inc.-230 Ryan Way, South San Francisco, CA 94080-6370-Main Office: (650) 588-9200-Outside Local Area: (800) 258-9200-www.stevenengineering.com

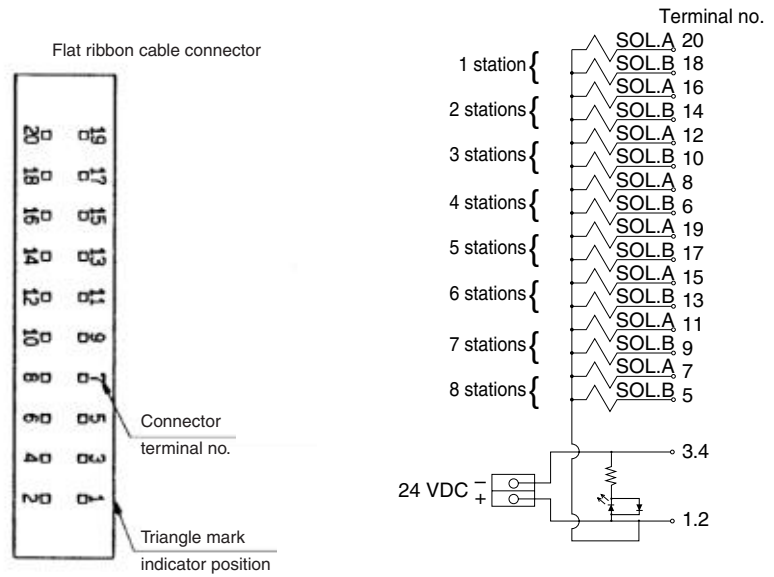
Internal Wiring of Manifold

Type 45G: Flat Ribbon Cable (PC Wiring System compatible)

It is the manifold for 20 pins flat ribbon cable connector which is compliant for PC wiring system.



Electric circuit diagram (Below wiring is the case of all double solenoid connections.)



- The maximum number of stations is 16 in terms of manifold bases, as well as solenoids. (For more stations, please contact SMC.)
- Regardless of the connector mounting position, stations are to be counted from D side as the 1st one.

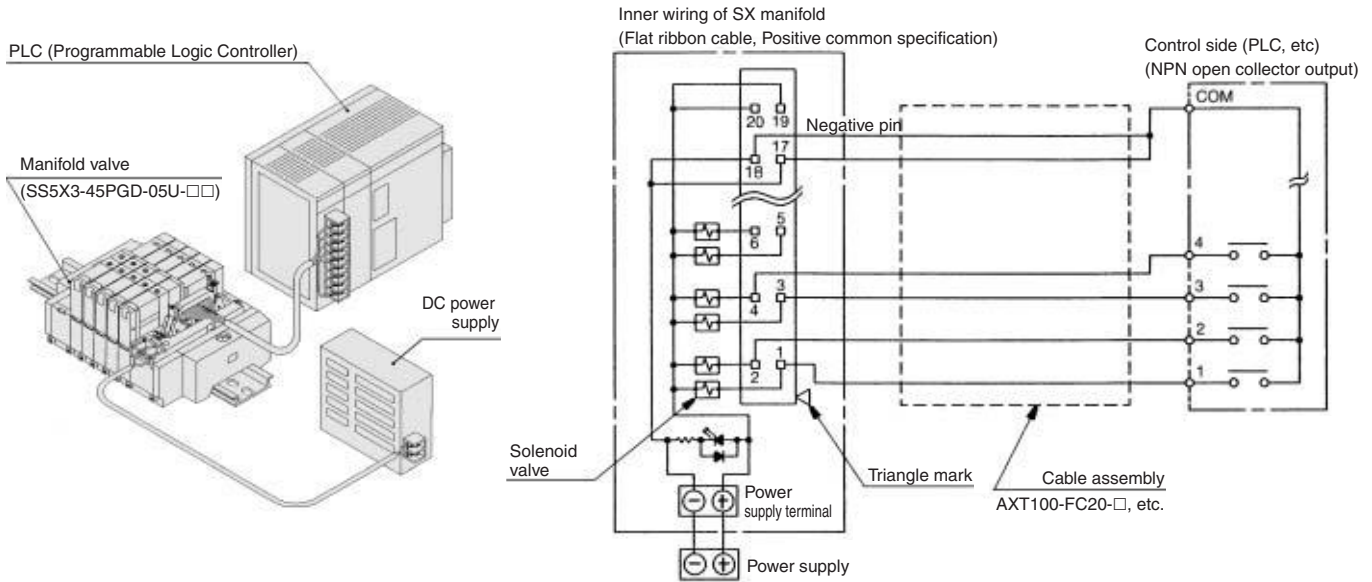


Refer to the separate catalog CAT.S02-20 for the details of PC Wiring System.

SS5X□-45□ Wiring of Plug-in Type

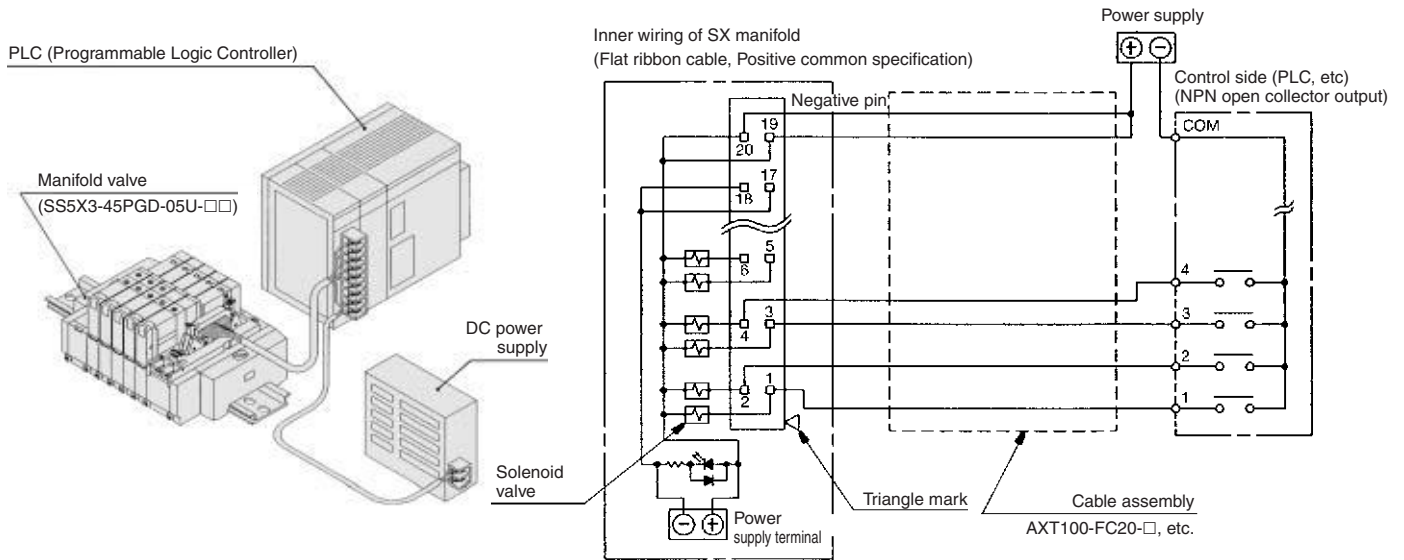
Power terminal is equipped with plug-in manifold of Series SX as standard.
 Power terminal enables the power supply to valve from either of manifold or controller side.

1. Wiring example when using manifold power supply terminals



SV
 SZ
 SY
 SYJ
 SX

2. Wiring example when the power terminal of the manifold is not used (Power supplied at controller or in wiring)



⚠ Caution

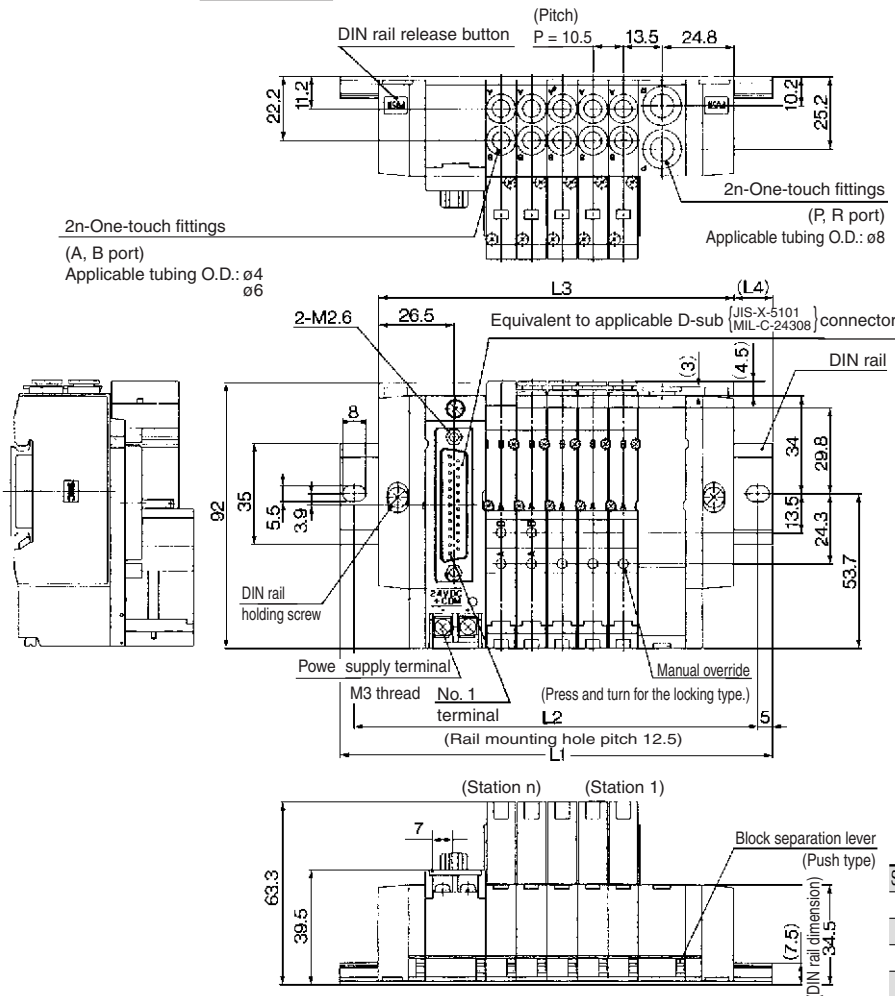
- Single wire, COM position, etc. of PLC are different from each manufacturer. When connecting with PLC, read the specifications carefully and understand the electrical circuit. Poor wiring could cause damage to PLC, power source, etc. as well as manifold and valve.

SX3000: D-sub Connector/Plug-in

SS5X3-45FU- Stations D-C4 C6

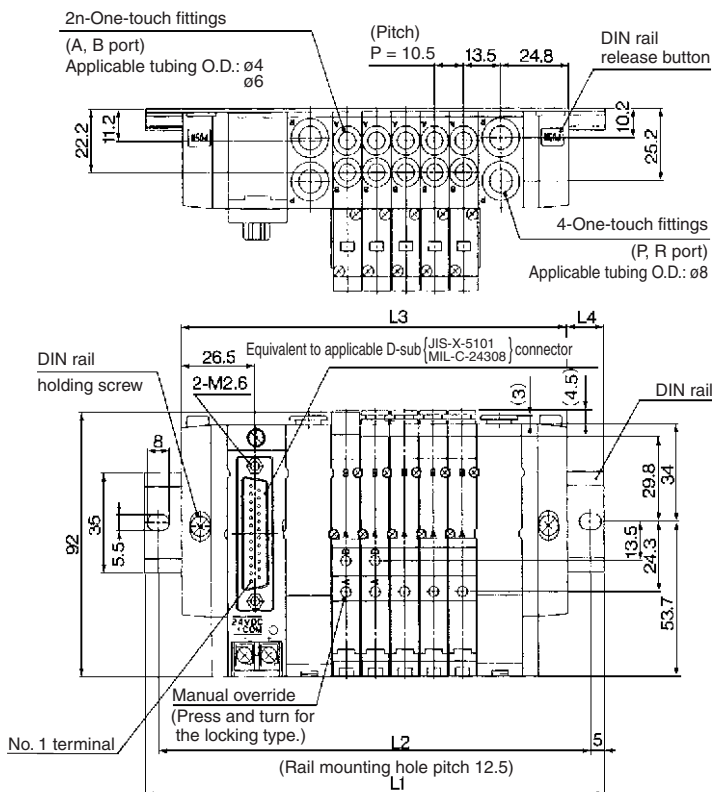


Note) The L1 to L4 dimensions of SS5X3-45FU- Stations U-□ are identical to those of SS5X3-45FU- Stations D-□.



Stations n	2 stations	3	4	5	6	7	8	9	10 stations
L1	123	135.5	148	148	160.5	173	185.5	198	210.5
L2	112.5	125	138.5	137.5	150	162.5	175	187.5	200
L3	91.5	102	112.5	123	133.5	144	154.5	165	175.5
L4	15.5	16.5	17.5	12.5	13.5	14.5	15.5	16.5	17.5

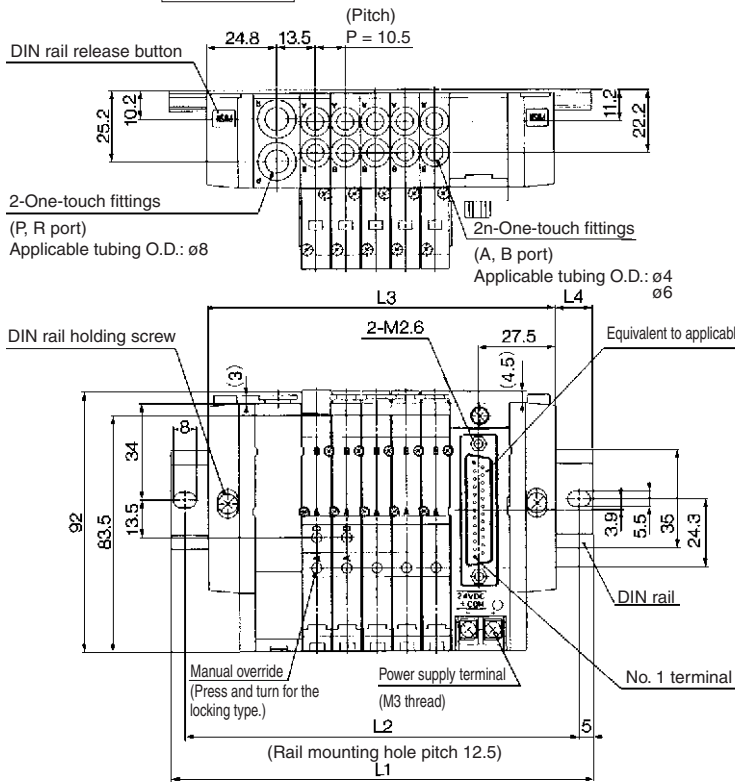
SS5X3-45FU- Stations B-C4 C6



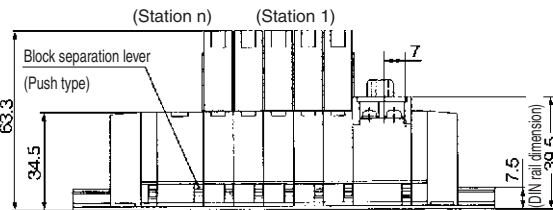
Stations n	2 stations	3	4	5	6	7	8	9	10 stations
L1	135.5	148	160.5	173	185.5	185.5	198	210.5	223
L2	125	137.5	150	162.5	175	17.5	187.5	200	212.5
L3	108	118.5	129	139.5	150	160.5	171	181.5	192
L4	13.5	14.5	15.5	16.5	17.5	12.5	13.5	14.5	15.5

Stations n	11 stations	12	13	14	15	16	17	18	19	20 stations
L1	235.5	248	248	260.5	273	285.5	298	310.5	310.5	323
L2	225	237.5	237.5	250	262.5	27.5	287.5	300	300	312.5
L3	202.5	213	223.5	234	244.5	255	265.5	276	286.5	297
L4	16.5	17.5	12	13	14	15	16	17	12	13

SS5X3-45FD- Stations U-^{C4}_{C6}

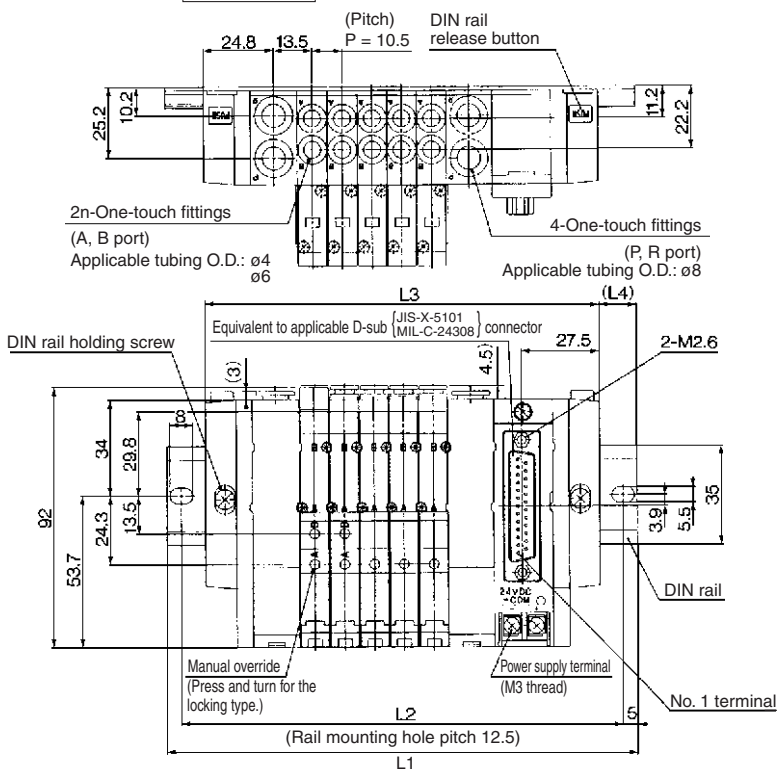


Note) The L1 to L4 dimensions of SS5X3-45FD- Stations D-□ are identical to those of SS5X3-45FD- Stations U-□.



	2 stations	3	4	5	6	7	8	9	10 stations
L1	123	135.5	148	148	160.5	173	185.5	198	210.5
L2	112.5	125	137.5	137.5	150	162.5	175	187.5	200
L3	91.5	102	112.5	123	133.5	144	154.5	165	175.5
L4	15.5	16.5	17.5	12.5	13.5	14.5	15.5	16.5	17.5

SS5X3-45FD- Stations B-^{C4}_{C6}



	2 stations	3	4	5	6	7	8	9	10 stations
L1	135.5	148	160.5	173	185.5	185.5	198	210.5	223
L2	125	137.5	150	162.5	175	17.5	187.5	200	212.5
L3	108	118.5	129	139.5	150	160.5	171	181.5	192
L4	13.5	14.5	15.5	16.5	17.5	12.5	13.5	14.5	15.5

	11 stations	12	13	14	15	16	17	18	19	20 stations
L1	235.5	248	248	260.5	273	285.5	298	310.5	310.5	323
L2	225	237.5	237.5	250	262.5	27.5	287.5	300	300	312.5
L3	202.5	213	223.5	234	244.5	255	265.5	276	286.5	297
L4	16.5	17.5	12	13	14	15	16	17	12	13

- SV
- SZ
- SY
- SYJ
- SX

SX5000: D-sub Connector/Plug-in

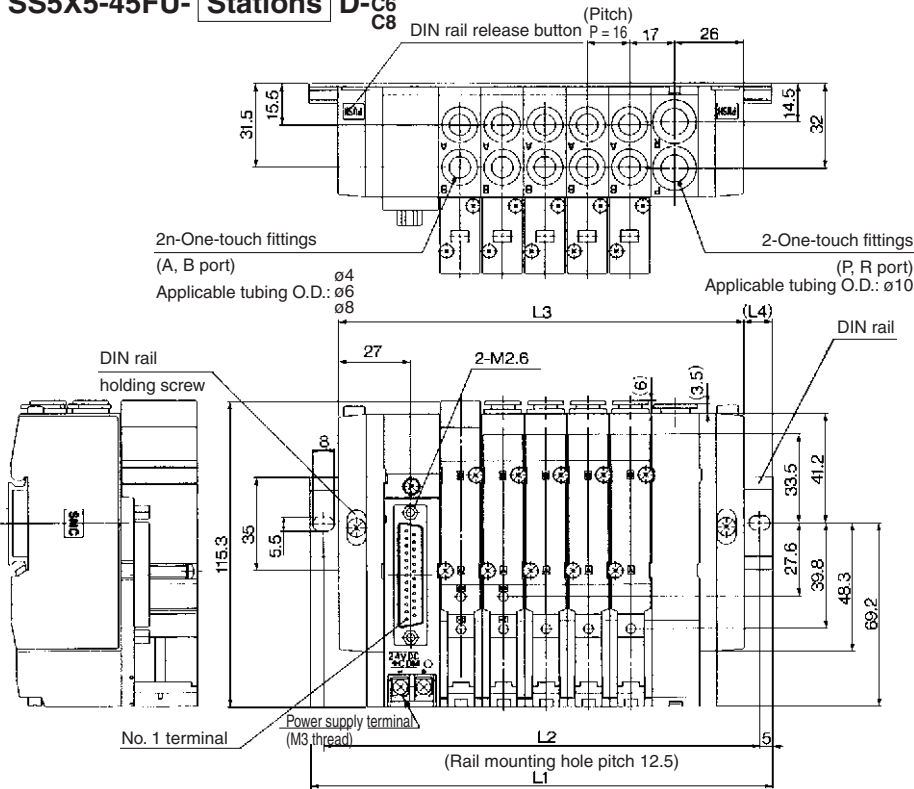
SS5X5-45FU- Stations D

C4
C6
C8

(Pitch)
P = 16 17 26



Note) The L1 to L4 dimensions of SS5X5-45FU- Stations U-□ are identical to those of SS5X5-45FU- Stations D-□.

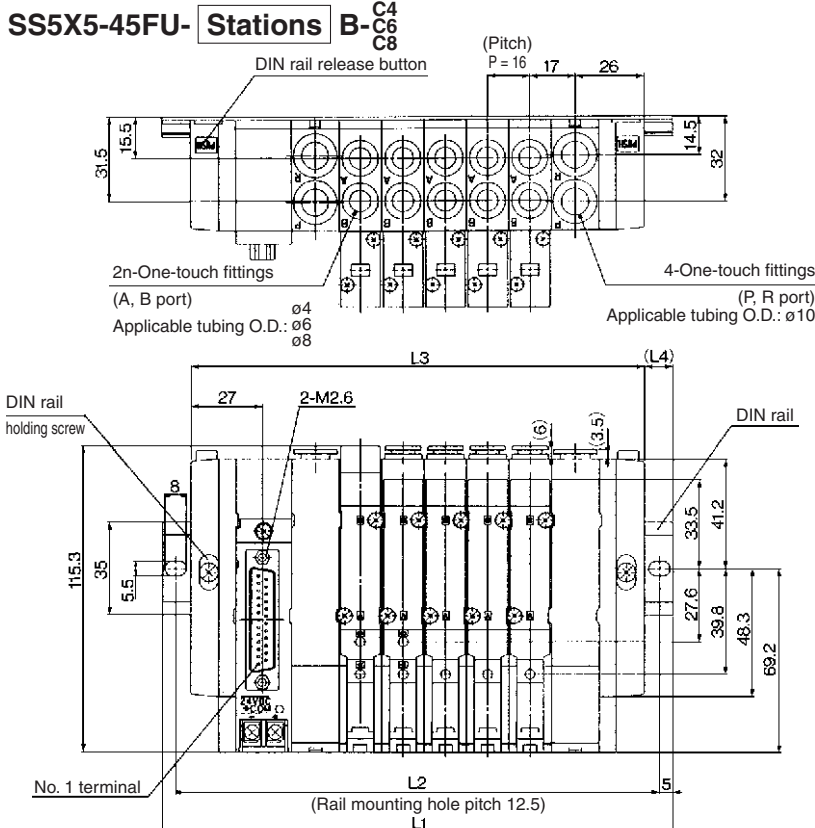


Stations n	2 stations	3	4	5	6	7	8	9	10 stations
L1	135.5	148	160.5	185.5	198	210.5	235.5	248	260.5
L2	125	137.5	150	175	187.5	200	225	237.5	250
L3	105	121	137	153	169	185	201	217	233
L4	15	13.5	11.5	16	14.5	12.5	17	15.5	13.5

SS5X5-45FU- Stations B

C4
C6
C8

(Pitch)
P = 16 17 26



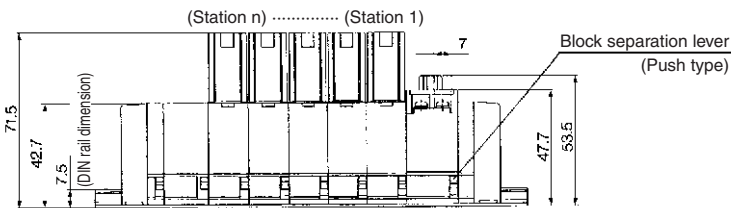
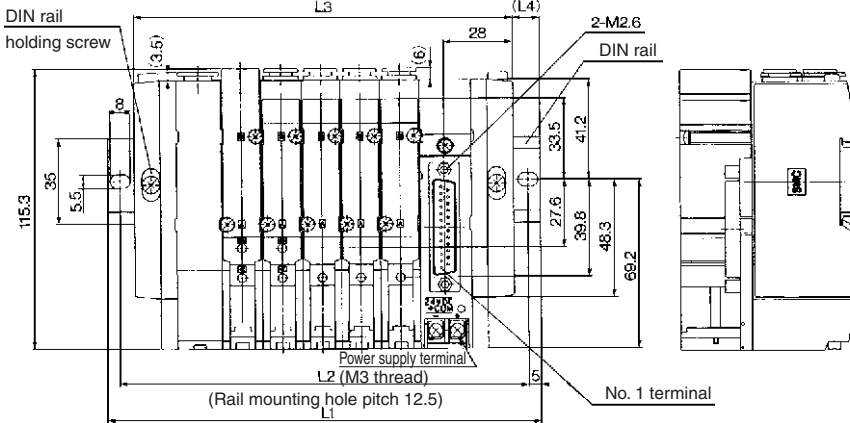
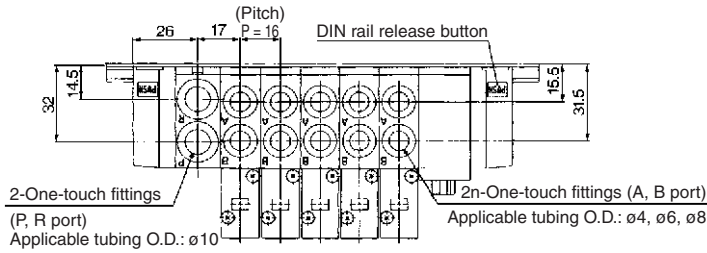
Stations n	2 stations	3	4	5	6	7	8	9	10 stations
L1	148	173	185.5	198	210.5	235.5	248	260.5	285.5
L2	137.5	162.5	175	187.5	200	225	237.5	250	275
L3	123	139	155	171	187	203	219	235	251
L4	12.5	17	15	13.5	11.5	16	14.5	12.5	17

Stations n	11 stations	12	13	14	15	16	17	18	19	20 stations
L1	298	310.5	323	348	360.5	373	398	410.5	423	435.5
L2	287.5	300	312.5	337.5	350	362.5	387.5	400	412.5	425
L3	267	288	299	315	331	347	363	379	395	411
L4	15.5	13.5	12	16.5	14.5	13	17.5	15.5	14	12

SS5X5-45FD- Stations U C4
C6
C8

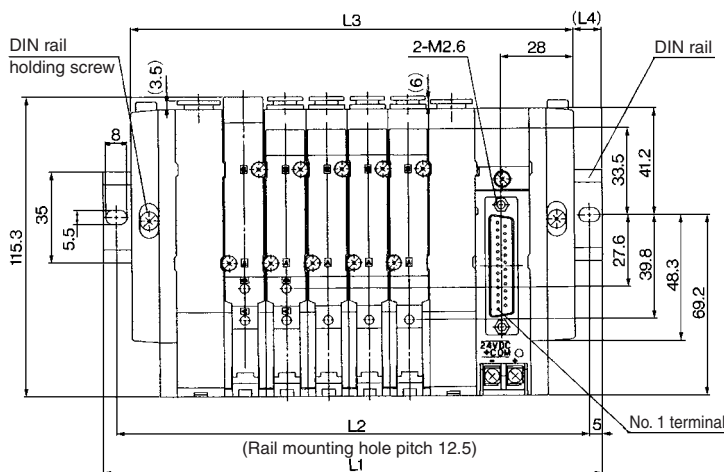
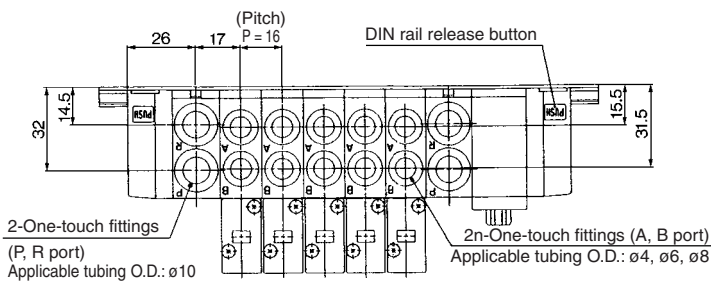


Note) The L1 to L4 dimensions of SS5X5-45FD-
Stations D-□ are identical to those of SS5X5-
45FD-StationsU-□.



Stations n	2 stations	3	4	5	6	7	8	9	10 stations
L1	135.5	148	160.5	185.5	198	210.5	235.5	248	260.5
L2	125	137.5	150	175	187.5	200	225	237.5	250
L3	105	121	137	153	169	185	201	217	233
L4	15	13.5	11.5	16	14.5	12.5	17	15.5	13.5

SS5X5-45FD- Stations B C4
C6
C8



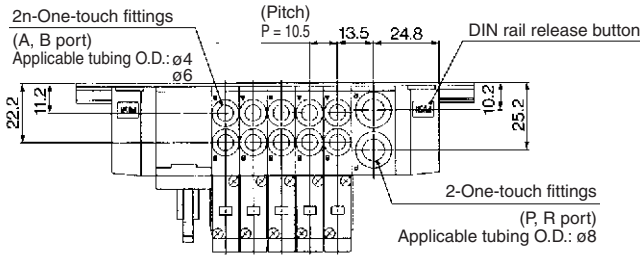
Stations n	2 stations	3	4	5	6	7	8	9	10 stations
L1	148	173	185.5	198	210.5	235.5	248	260.5	285.5
L2	137.5	162.5	175	187.5	200	225	237.5	250	275
L3	123	139	155	171	187	203	219	235	251
L4	12.5	17	15	13.5	11.5	16	14.5	12.5	17

Stations n	11 stations	12	13	14	15	16	17	18	19	20 stations
L1	298	310.5	323	348	360.5	373	398	410.5	423	435.5
L2	287.5	300	312.5	337.5	350	362.5	387.5	400	412.5	425
L3	267	288	299	315	331	347	363	379	395	411
L4	15.5	13.5	12	16.5	14.5	13	17.5	15.5	14	12

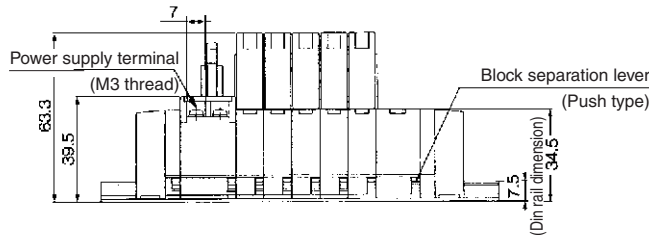
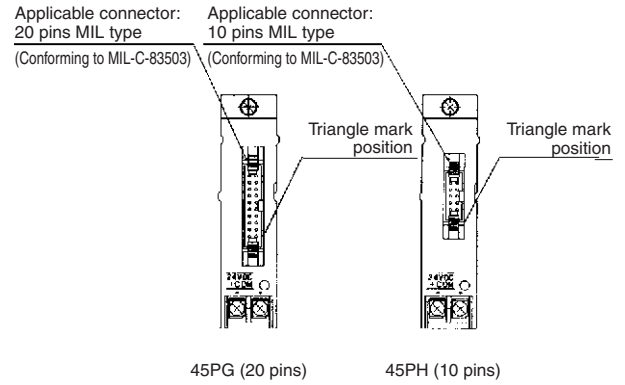
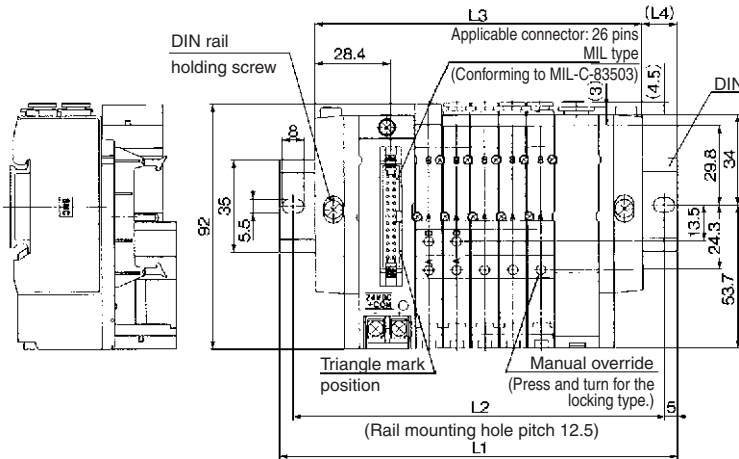
- SV
- SZ
- SY
- SYJ
- SX

SX3000: Flat Ribbon Cable Type/Plug-in

SS5X3-45PU- Stations D-C₆^{C4} (26 pins)

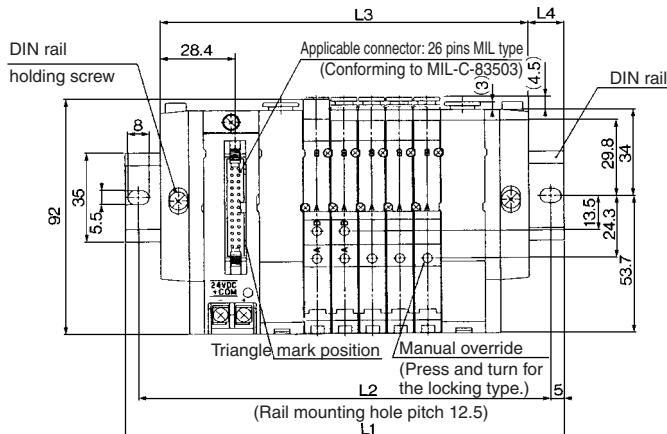
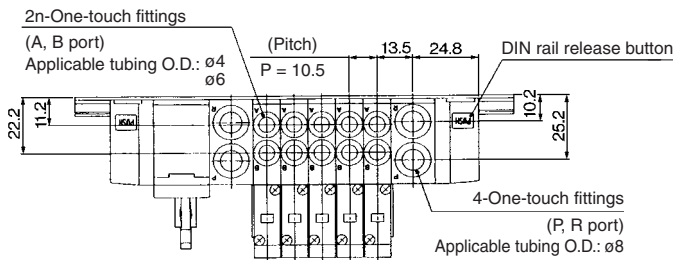


Note) The L1 to L4 dimensions of SS5X3-45P□-Stations U-□ are identical to those of SS5X3-45PU- Stations D-□.



Note) Types 45PG and 45PH differ only in their connectors, and the L1 through L4 dimensions are the same as type 45P.

SS5X3-45PU- Stations B-C₆^{C4} (26 pins)



Stations n	2 stations	3	4	5	6	7	8	9	10 stations
L1	123	135.5	148	148	160.5	173	185.5	198	210.5
L2	112.5	125	137.5	137.5	150	162.5	175	187.5	200
L3	91.5	102	112.5	123	133.5	144	154.5	165	175.5
L4	15.5	16.5	17.5	12.5	13.5	14.5	15.5	16.5	17.5

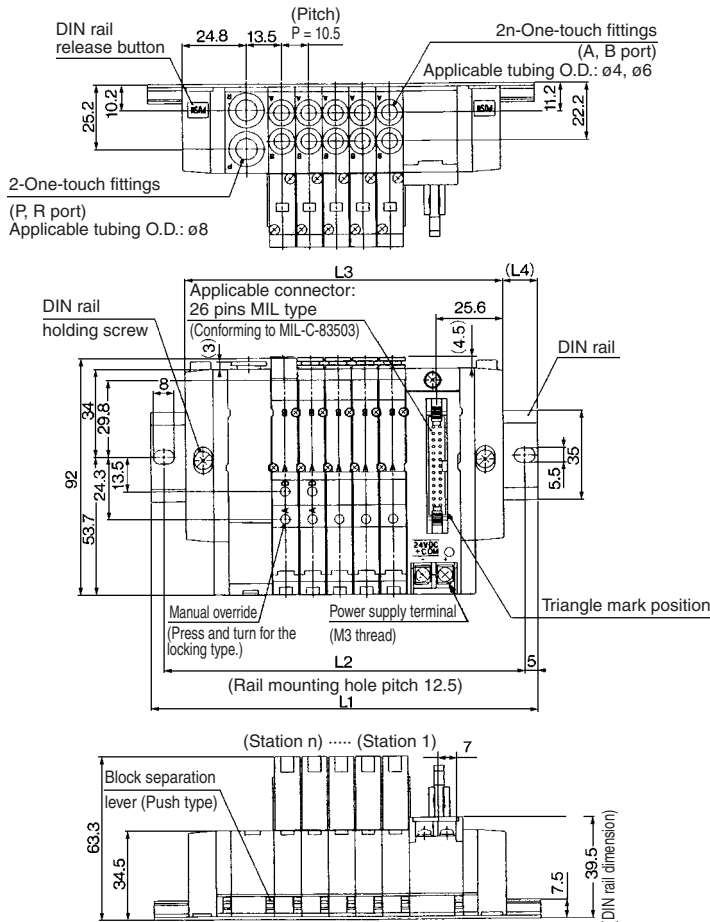
Stations n	2 stations	3	4	5	6	7	8	9	10 stations
L1	135.5	148	160.5	173	185.5	185.5	198	210.5	223
L2	125	137.5	150	162.5	175	17.5	187.5	200	212.5
L3	108	118.5	129	139.5	150	160.5	171	181.5	192
L4	13.5	14.5	15.5	16.5	17.5	12.5	13.5	14.5	15.5

Stations n	11 stations	12	13	14	15	16	17	18	19	20 stations
L1	235.5	248	248	260.5	273	285.5	298	310.5	310.5	323
L2	225	237.5	237.5	250	262.5	27.5	287.5	300	300	312.5
L3	202.5	213	223.5	234	244.5	255	265.5	276	286.5	297
L4	16.5	17.5	12	13	14	15	16	17	12	13

SS5X3-45PD- Stations U-^{C4}_{C6} (26 pins)



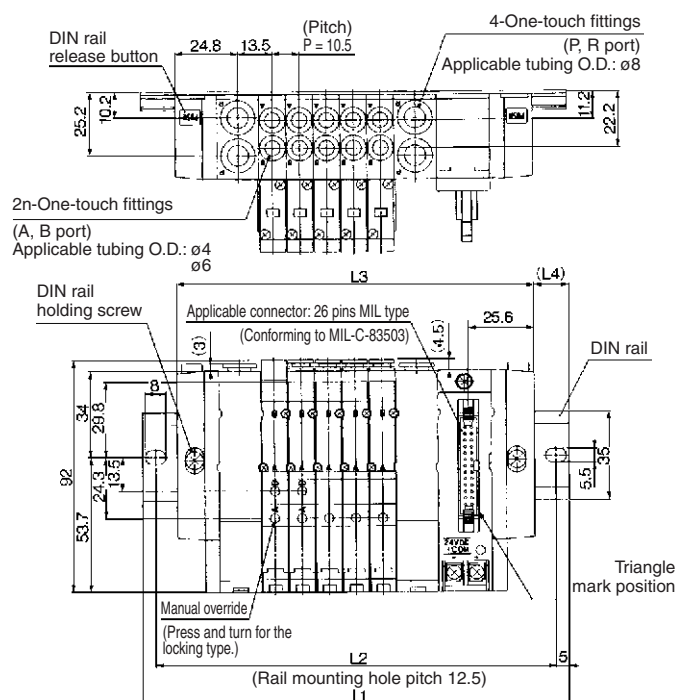
Note) The L1 to L4 dimensions of SS5X3-45P□-Stations D-□ are identical to those of SS5X3-45PD-Stations U-□.



- SV
- SZ
- SY
- SYJ
- SX

Stations n	2 stations	3	4	5	6	7	8	9	10 stations
L1	123	135.5	148	148	160.5	173	185.5	198	210.5
L2	112.5	125	137.5	137.5	150	162.5	175	187.5	200
L3	91.5	102	112.5	123	133.5	144	154.5	165	175.5
L4	15.5	16.5	17.5	12.5	13.5	14.5	15.5	16.5	17.5

SS5X3-45PD- Stations B-^{C4}_{C6} (26 pins)



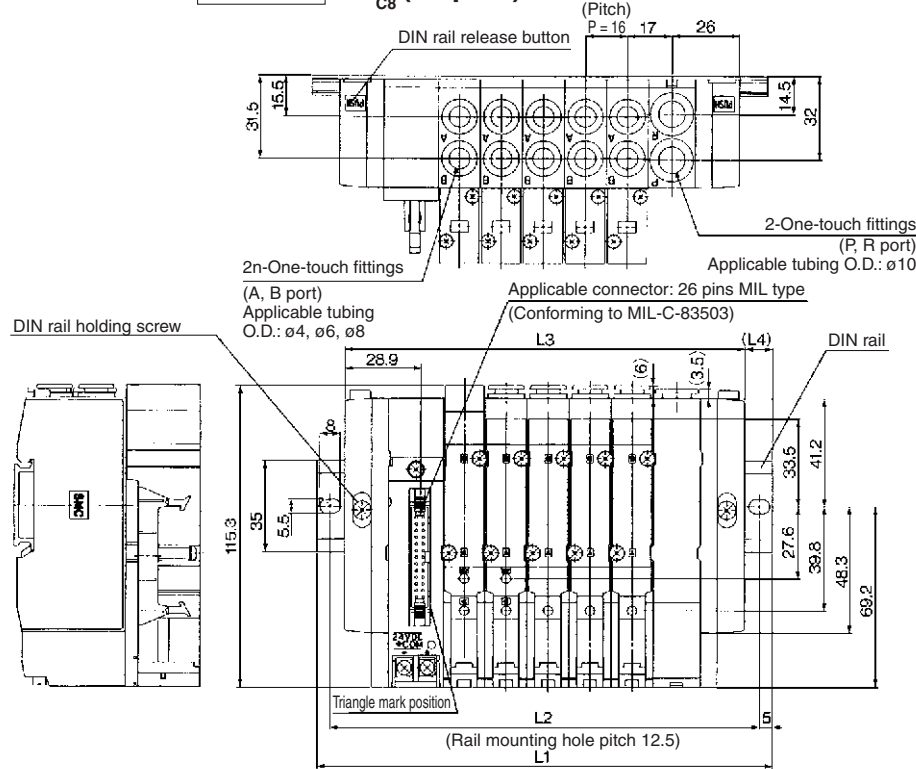
Stations n	2 stations	3	4	5	6	7	8	9	10 stations
L1	135.5	148	160.5	173	185.5	185.5	198	210.5	223
L2	125	137.5	150	162.5	175	175	187.5	200	212.5
L3	108	118.5	129	139.5	150	160.5	171	181.5	192
L4	13.5	14.5	15.5	16.5	17.5	12.5	13.5	14.5	15.5

Stations n	11 stations	12	13	14	15	16	17	18	19	20 stations
L1	235.5	248	248	260.5	273	285.5	298	310.5	310.5	323
L2	225	237.5	237.5	250	262.5	27.5	287.5	300	300	312.5
L3	202.5	213	223.5	234	244.5	255	265.5	276	286.5	297
L4	16.5	17.5	12	13	14	15	16	17	12	13

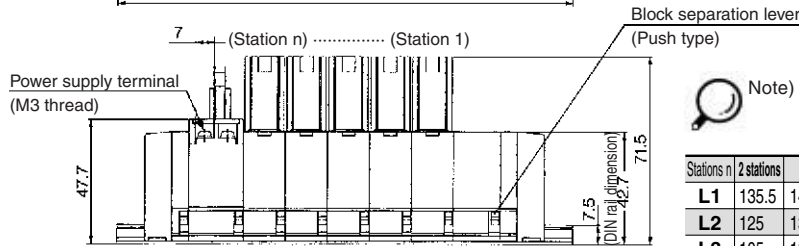
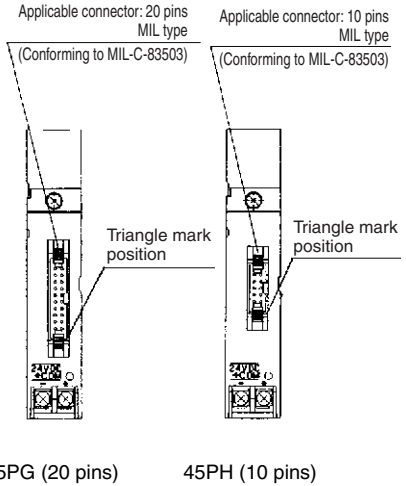
Courtesy of Steven Engineering, Inc.-230 Ryan Way, South San Francisco, CA 94080-6370-Main Office: (650) 588-9200-Outside Local Area: (800) 258-9200-www.stevenengineering.com

SX5000: Flat Ribbon Cable Type/Plug-in

SS5X5-45PU- Stations D- C4 C6 C8 (26 pins)



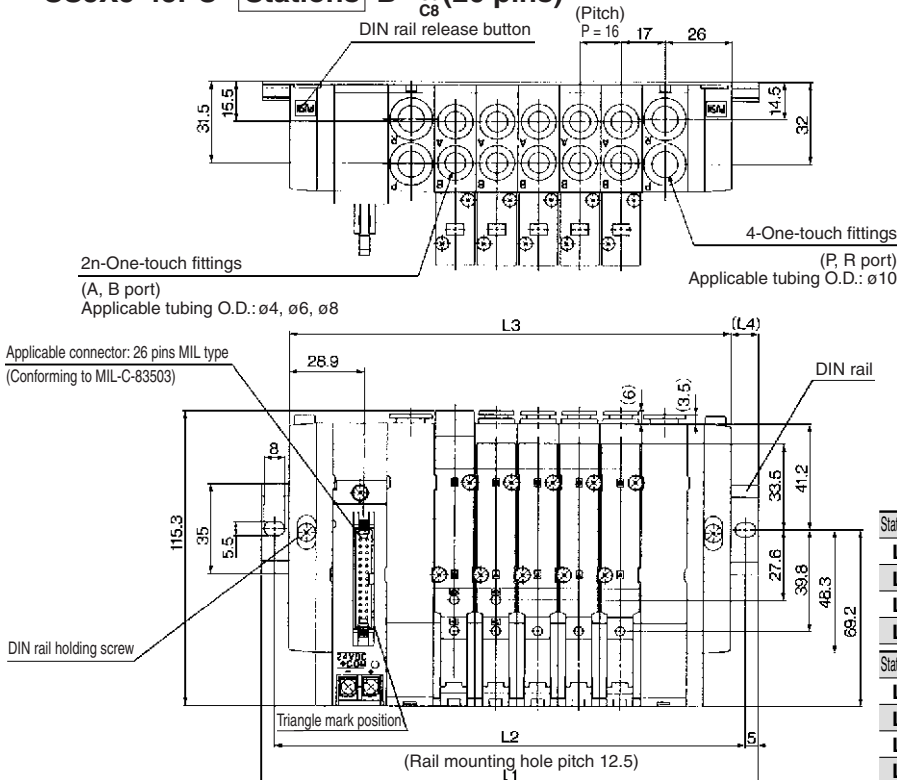
Note) The L1 to L4 dimensions of SS5X5-45P□U- Stations U-□ are identical to those of SS5X5-45PU- Stations D-□.



Note) Types 45PG and 45PH differ only in their connectors, and the L1 through L4 dimensions are the same as type 45P. (mm)

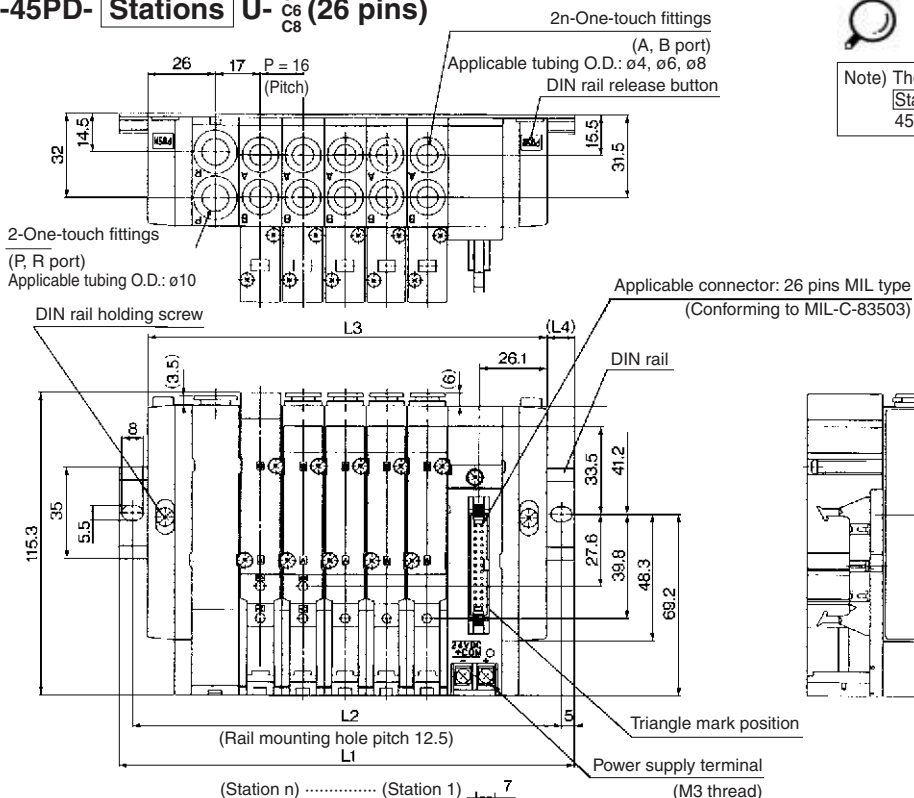
Stations n	2 stations	3	4	5	6	7	8	9	10 stations
L1	135.5	148	160.5	185.5	198	210.5	235.5	248	260.5
L2	125	137.5	150	175	187.5	200	225	237.5	250
L3	105	121	137	153	169	185	201	217	233
L4	15	13.5	11.5	16	14.5	12.5	17	15.5	13.5

SS5X5-45PU- Stations B- C4 C6 C8 (26 pins)

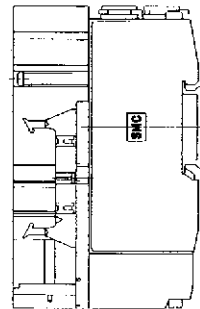


										(mm)										
Stations n	2 stations	3	4	5	6	7	8	9	10 stations	Stations n	11 stations	12	13	14	15	16	17	18	19	20 stations
L1	148	173	185.5	198	210.5	235.5	248	260.5	285.5	L1	298	310.5	323	348	360.5	373	398	410.5	423	435.5
L2	137.5	162.5	175	187.5	200	225	237.5	250	275	L2	287.5	300	312.5	337.5	350	362.5	387.5	400	412.5	425
L3	123	139	155	171	187	203	219	235	251	L3	267	288	299	315	331	347	363	379	395	411
L4	12.5	17	15	13.5	11.5	16	14.5	12.5	17	L4	15.5	13.5	12	16.5	14.5	13	17.5	15.5	14	12

SS5X5-45PD- Stations U-^{C4}_{C6}^{C8} (26 pins)



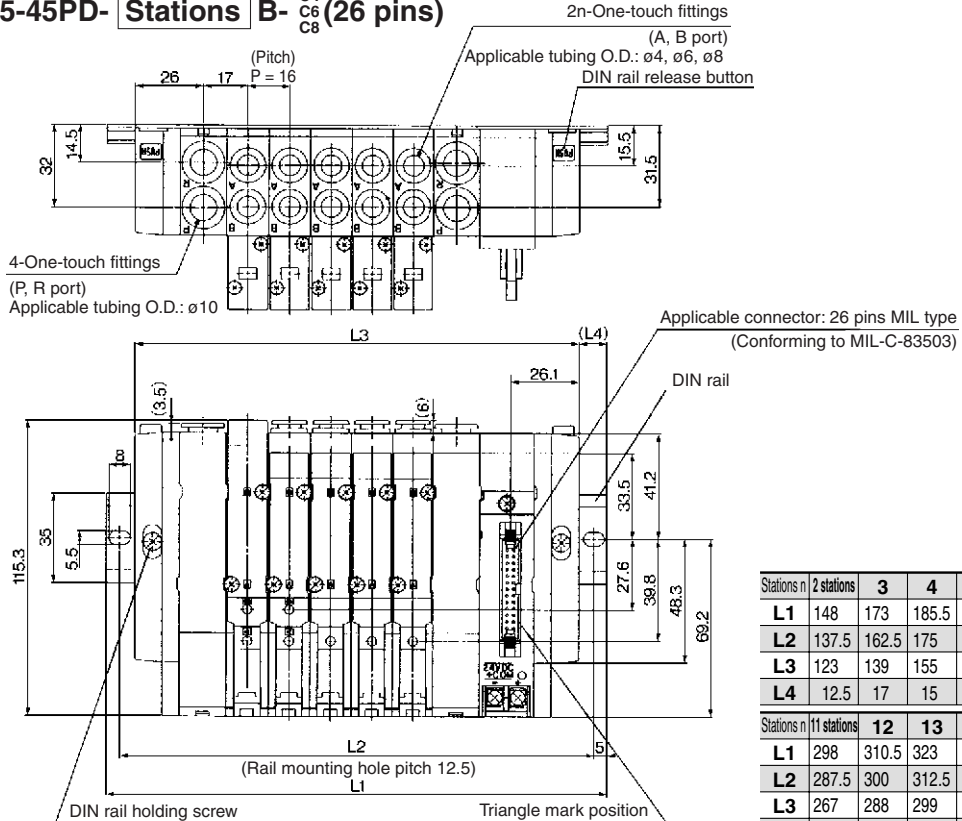
Note) The L1 to L4 dimensions of SS5X5-45PD-
Stations D-□ are identical to those of SS5X5-45PD-
Stations U-□.



- SV
- SZ
- SY
- SYJ
- SX

Stations n	2 stations	3	4	5	6	7	8	9	10 stations
L1	135.5	148	160.5	185.5	198	210.5	235.5	248	260.5
L2	125	137.5	150	175	187.5	200	225	237.5	250
L3	105	121	137	153	169	185	201	217	233
L4	15	13.5	11.5	16	14.5	12.5	17	15.5	13.5

SS5X5-45PD- Stations B-^{C4}_{C6}^{C8} (26 pins)



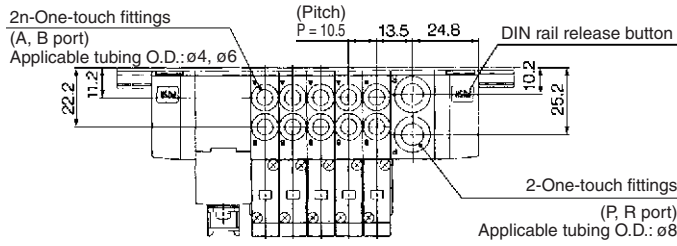
Stations n	2 stations	3	4	5	6	7	8	9	10 stations
L1	148	173	185.5	198	210.5	235.5	248	260.5	285.5
L2	137.5	162.5	175	187.5	200	225	237.5	250	275
L3	123	139	155	171	187	203	219	235	251
L4	12.5	17	15	13.5	11.5	16	14.5	12.5	17

Stations n	11 stations	12	13	14	15	16	17	18	19	20 stations
L1	298	310.5	323	348	360.5	373	398	410.5	423	435.5
L2	287.5	300	312.5	337.5	350	362.5	387.5	400	412.5	425
L3	267	288	299	315	331	347	363	379	395	411
L4	15.5	13.5	12	16.5	14.5	13	17.5	15.5	14	12

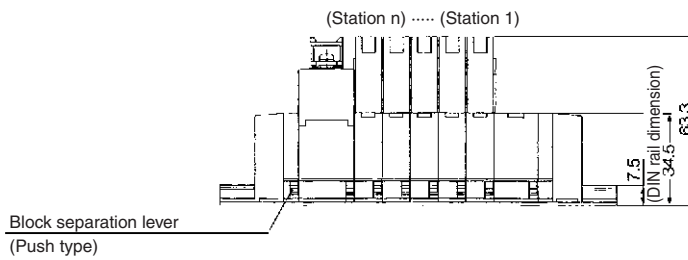
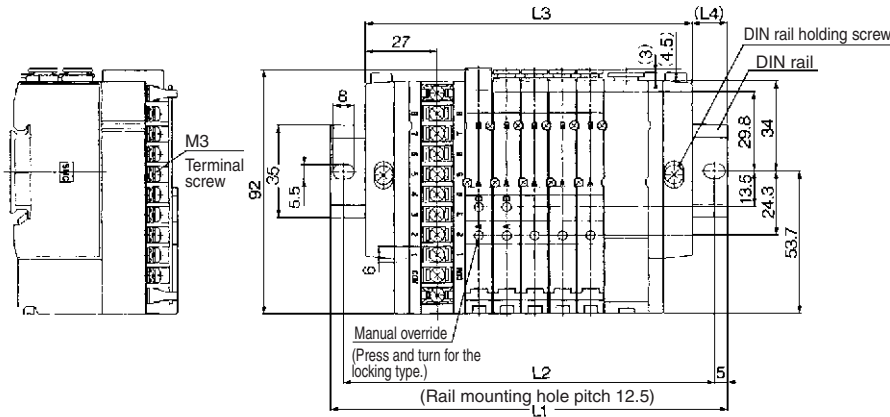
Courtesy of Steven Engineering, Inc.-230 Ryan Way, South San Francisco, CA 94080-6370-Main Office: (650) 588-9200-Outside Local Area: (800) 258-9200-www.stevenengineering.com

SX3000: 9 Pins Terminal Block/Plug-in

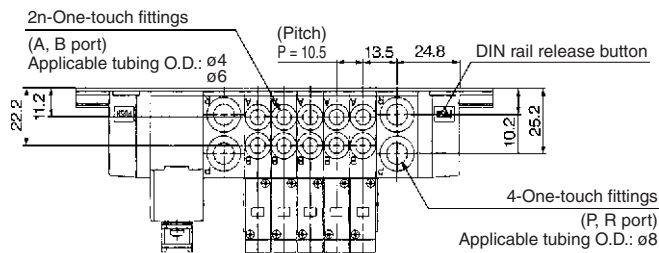
SS5X3-45TU- Stations D-C₄ C₆



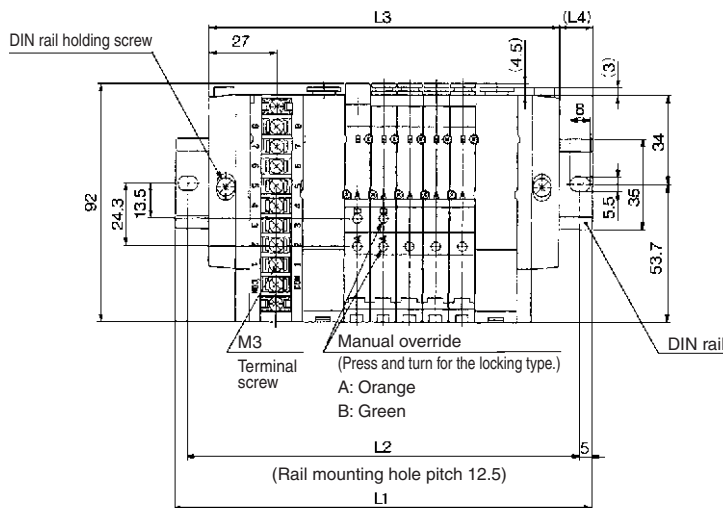
Note) The L1 to L4 dimensions of SS5X3-45TU- Stations U-□, SS5X3-45TD- Stations U-□, SS5X3-45TD- Stations D-□ are identical to those of SS5X3-45TU- Stations D-□.



SS5X3-45TU- Stations B-C₄ C₆



Note) The L1 to L4 dimensions of SS5X3-45TD- Stations B-□ are identical to those of SS5X3-45TU- Stations B-□.

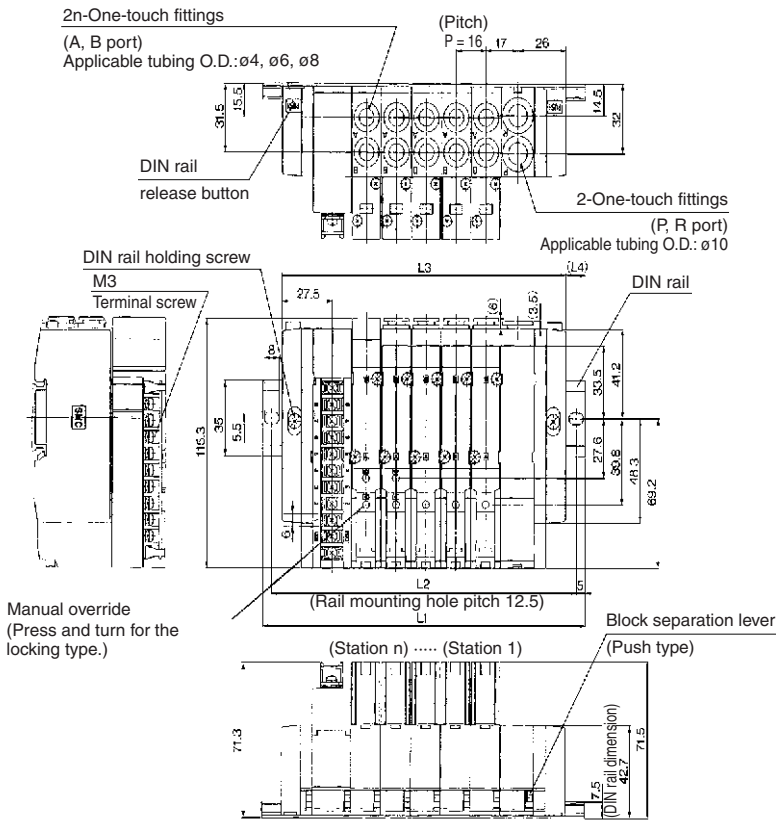


Stations n	2 stations	3	4	5	6	7	8 stations
L1	123	135.5	148	148	160.5	173	185.5
L2	112.5	125	137.5	137.5	150	162.5	175
L3	91.5	102	112.5	123	133.5	144	154.5
L4	15.5	16.5	17.5	12.5	13.5	14.5	15.5

Stations n	2 stations	3	4	5	6	7	8 stations
L1	135.5	148	160.5	173	185.5	185.5	198
L2	125	137.5	150	162.5	175	175	187.5
L3	108	118.5	129	139.5	150	160.5	171
L4	13.5	14.5	15.5	16.5	17.5	12.5	13.5

SX5000: 9 Pins Terminal Block/Plug-in

SS5X5-45TU- Stations D- ^{C4} _{C6} _{C8}



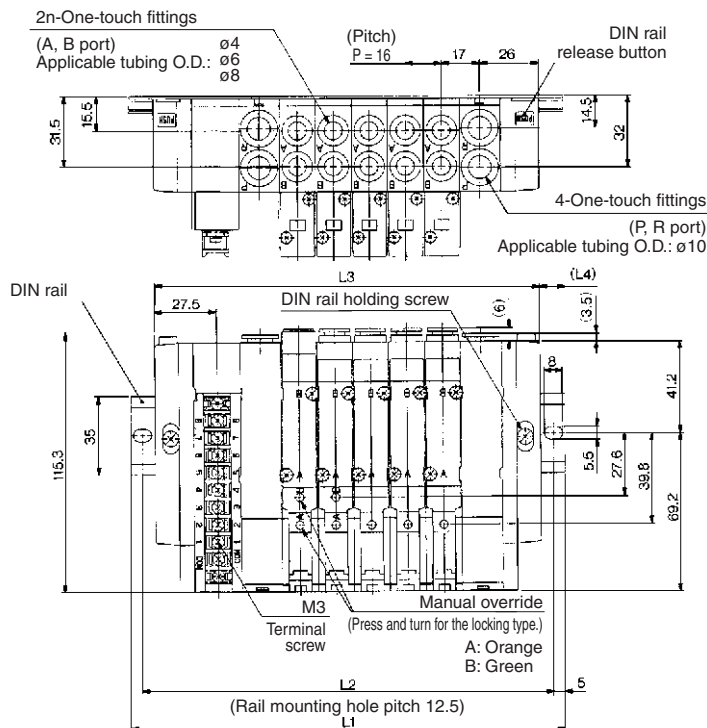
Note) The L1 to L4 dimensions of SS5X5-45TU-StationsU-□, SS5X5-45TD-StationsU-□, SS5X5-45TU-StationsD-□, are identical to those of SS5X5-45TU-StationsD-□.

- SV
- SZ
- SY
- SYJ
- SX

(mm)

Stations n	2 stations	3	4	5	6	7	8 stations
L1	135.5	148	160.5	185.5	198	210.5	235.5
L2	125	137.5	150	175	187.5	200	225
L3	105	121	137	158	169	185	201
L4	15	13.5	11.5	16	14.5	125	17

SS5X5-45TU- Stations B- ^{C4} _{C6} _{C8}



Note) The L1 to L4 dimensions of SS5X5-45TD-StationsB-□ are identical to those of SS5X5-45TU-StationsB-□.

(mm)

Stations n	2 stations	3	4	5	6	7	8 stations
L1	148	173	185.5	198	210.5	235.5	248
L2	137.5	162.5	175	187.5	200	225	237.5
L3	123	139	155	171	187	203	219
L4	12.5	17	15	13.5	11.5	16	14.5

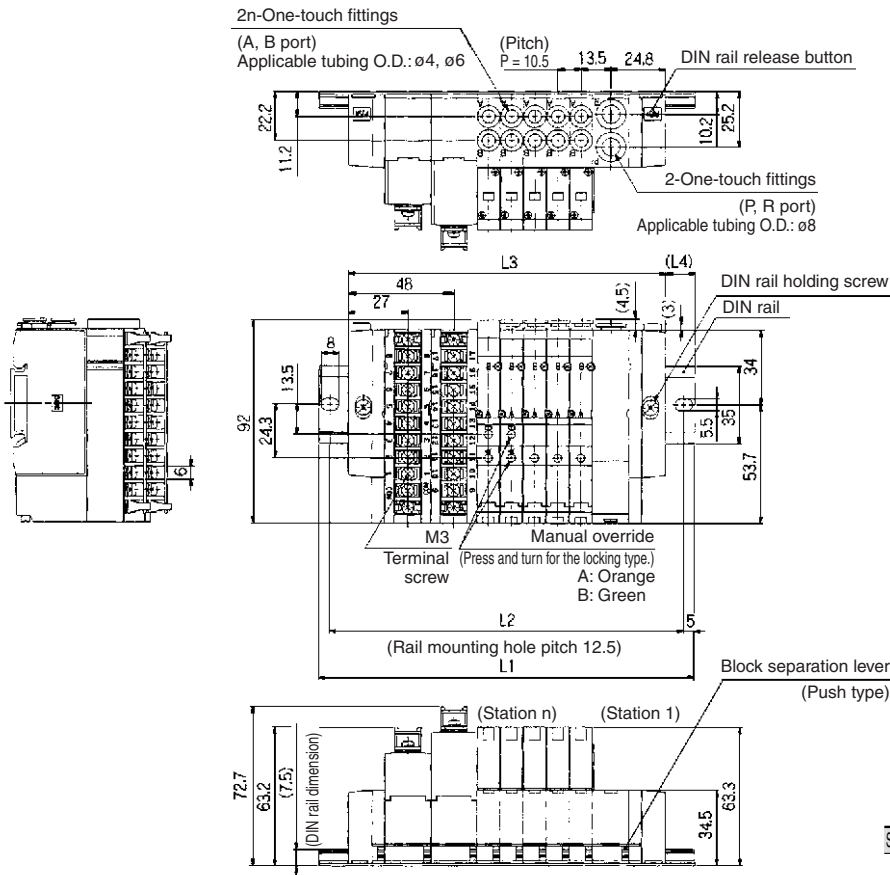
Courtesy of Steven Engineering, Inc.-230 Ryan Way, South San Francisco, CA 94080-6370-Main Office: (650) 588-9200-Outside Local Area: (800) 258-9200-www.stevenengineering.com

SX3000: 18 Pins Terminal Block/Plug-in

SS5X3-45T1U- Stations D-^{C4}_{C6} (18 pins)



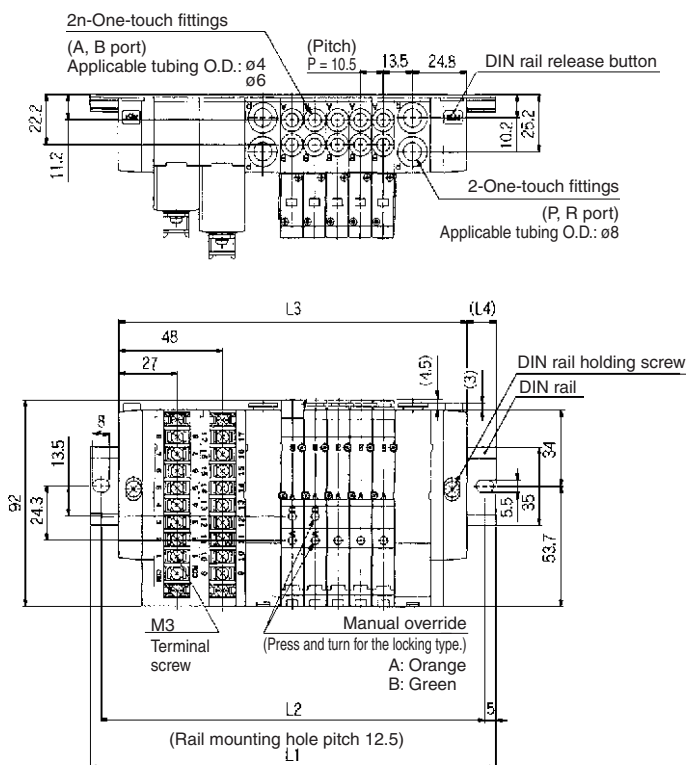
Note) The L1 to L4 dimensions of SS5X3-45T1U- Stations U-□ are identical to those of SS5X3-45T1U- Stations D-□.



Stations n	2 stations	3	4	5	6	7	8	9	10 stations
L1	148	148	160.5	173	185.5	198	210.5	210.5	223
L2	137.5	137.5	150	162.5	175	187.5	200	200	212.5
L3	112.5	123	133.5	144	154.5	165	175.5	186	196.5
L4	17.5	12.5	13.5	14.5	15.5	16.5	17.5	12	13

(mm)

SS5X3-45T1U- Stations B-^{C4}_{C6} (18 pins)

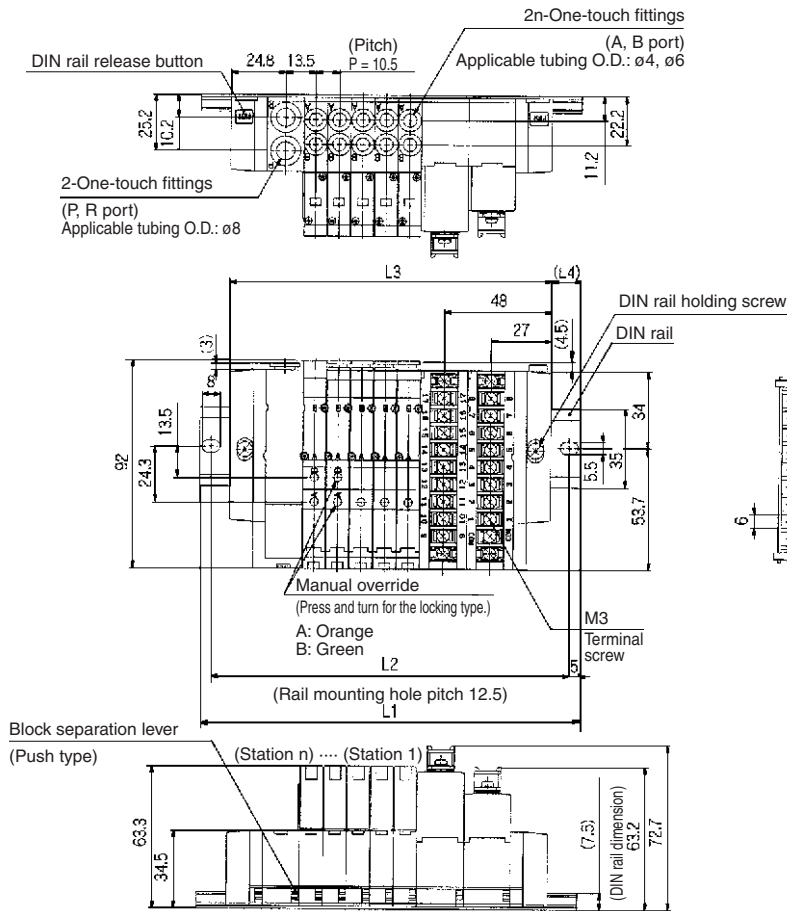


Stations n	2 stations	3	4	5	6	7	8	9 stations
L1	160.5	173	185.5	185.5	198	210.5	223	235.5
L2	150	162.5	175	175	187.5	200	212.5	225
L3	129	139.5	150	160.5	171	181.5	192	202.5
L4	15.5	16.5	17.5	12.5	13.5	14.5	15.5	16.5

Stations n	10 stations	11	12	13	14	15	16	17 stations
L1	248	248	248	260.5	273	285.5	298	310.5
L2	237.5	237.5	237.5	250	262.5	275	287.5	300
L3	213	223.5	223.5	234	244.5	255	265.5	286.5
L4	17.5	12	12	13	14	15	16	12

(mm)

SS5X3-45T1D- Stations U- C₄ C₆ (18 pins)



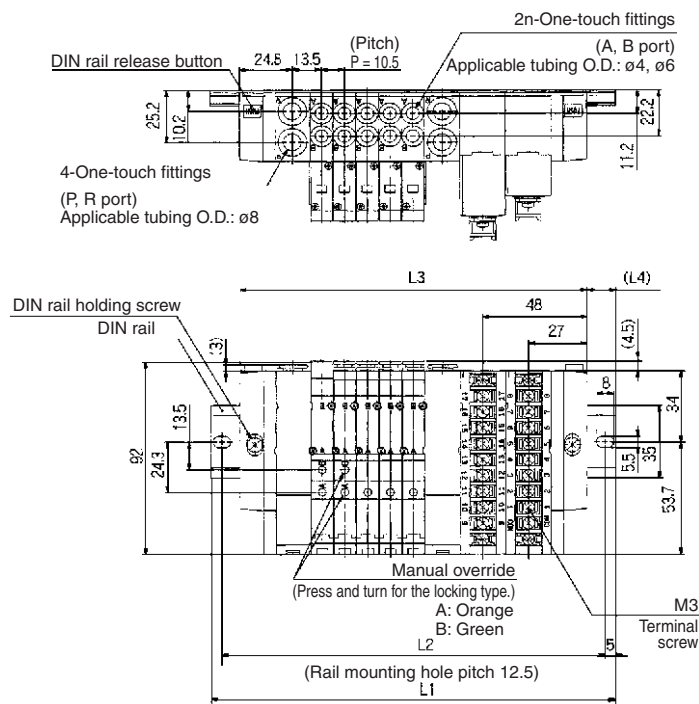
Note) The L1 to L4 dimensions of SS5X3-45T1D- Stations D-□ are identical to those of SS5X3-45T1D- Stations U-□.

- SV
- SZ
- SY
- SYJ
- SX

(mm)

Stations n	2 stations	3	4	5	6	7	8	9	10 stations
L1	148	148	160.5	173	185.5	198	210.5	210.5	223
L2	137.5	137.5	150	162.5	175	187.5	200	200	212.5
L3	112.5	123	133.5	144	154.5	165	175.5	186	196.5
L4	17.5	12.5	13.5	14.5	15.5	16.5	17.5	12	13

SS5X3-45T1D- Stations B- C₄ C₆ (18 pins)



(mm)

Stations n	2 stations	3	4	5	6	7	8	9 stations
L1	160.5	173	185.5	185.5	198	210.5	223	235.5
L2	150	162.5	175	175	187.5	200	212.5	225
L3	129	139.5	150	160.5	171	181.5	192	202.5
L4	15.5	16.5	17.5	12.5	13.5	14.5	15.5	16.5

Stations n	10 stations	11	12	13	14	15	16	17 stations
L1	248	248	260.5	273	285.5	298	310.5	310.5
L2	237.5	237.5	250	262.5	275	287.5	300	300
L3	213	223.5	234	244.5	255	265.5	276	286.5
L4	17.5	12	13	14	15	16	17	12

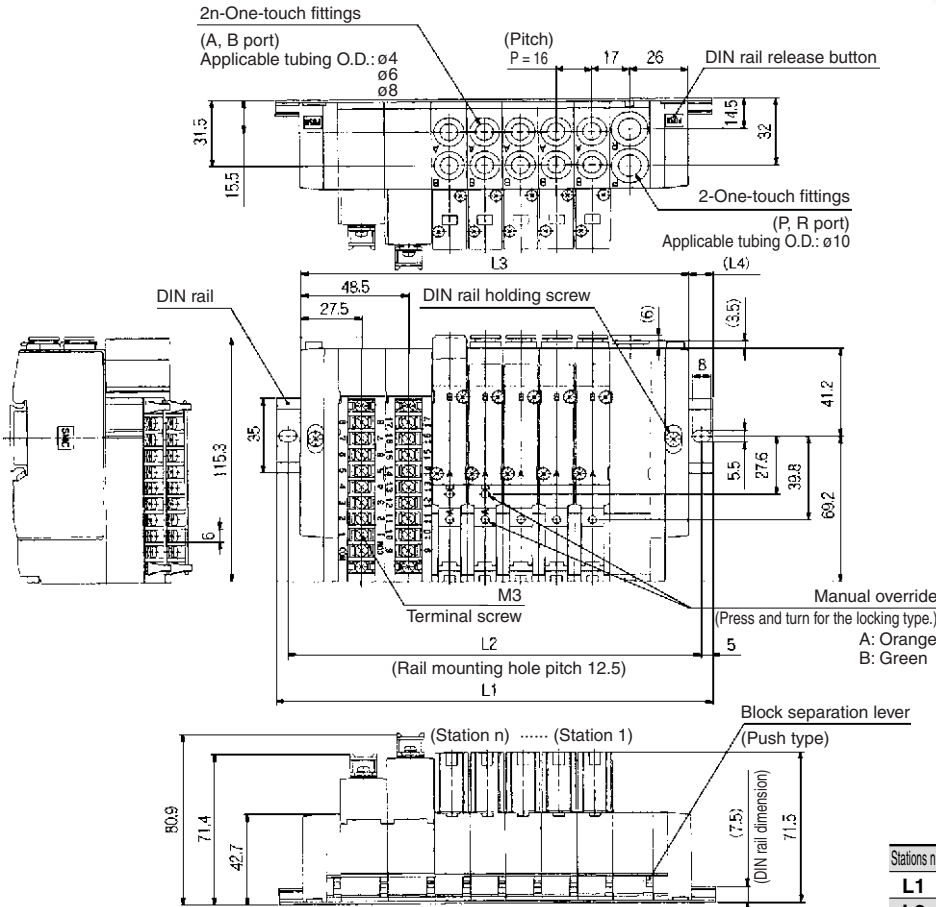
Courtesy of Steven Engineering, Inc.-230 Ryan Way, South San Francisco, CA 94080-6370-Main Office: (650) 588-9200-Outside Local Area: (800) 258-9200-www.stevenengineering.com

SX5000: 18 Pins Terminal Block/Plug-in

SS5X5-45T1U- Stations D-^{C4}_{C6}^{C8} (18 pins)

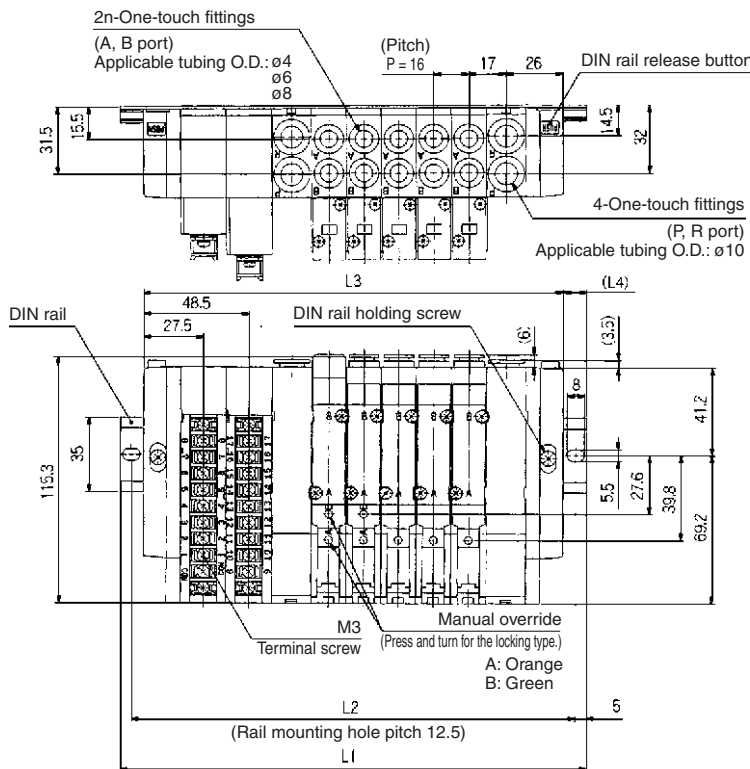


Note) The L1 to L4 dimensions of SS5X5-45T1U- Stations U-□ are identical to those of SS5X5-45T1U- Stations D-□.



Stations n	2 stations	3	4	5	6	7	8	9	10 stations
L1	160.5	173	185.5	198	223	235.5	248	273	285.5
L2	150	162.5	175	187.5	212.5	225	237.5	262.5	275
L3	126	142	158	174	190	206	222	238	254
L4	17	15.5	13.5	12	16.5	14.5	13	17.5	15.5

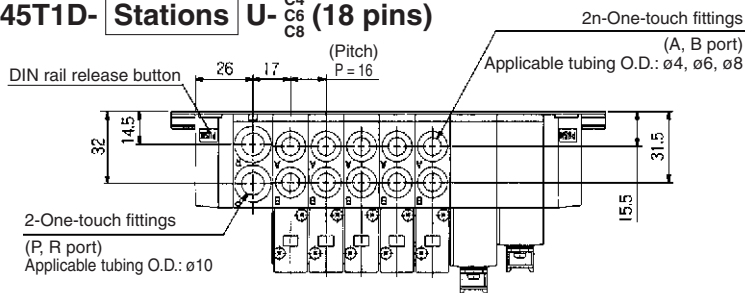
SS5X5-45T1U- Stations B-^{C4}_{C6}^{C8} (18 pins)



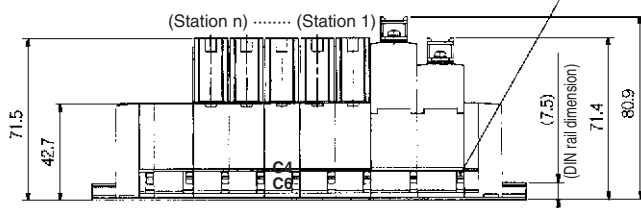
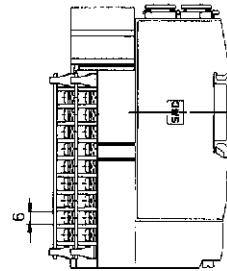
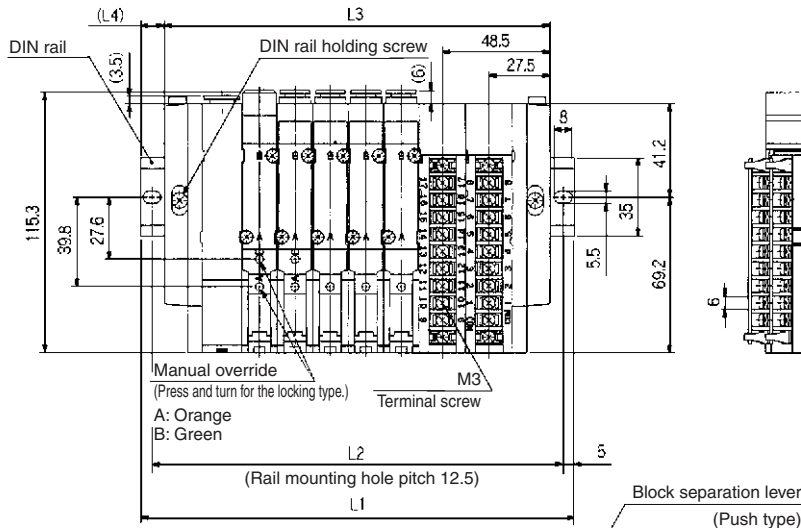
Stations n	2 stations	3	4	5	6	7	8	9 stations
L1	173	185.5	210.5	223	235.5	248	273	285.5
L2	162.5	175	200	212.5	225	237.5	262.5	275
L3	144	160	176	192	208	224	240	256
L4	14.5	12.5	17	15.5	13.5	12	16.5	14.5

Stations n	10 stations	11	12	13	14	15	16	17 stations
L1	298	323	335.5	348	360.5	385.5	398	410.5
L2	287.5	312.5	325	337.5	350	375	387.5	400
L3	272	288	304	320	336	352	368	384
L4	13	17.5	15.5	14	12	16.5	15	13

SS5X5-45T1D- Stations U-^{C4}_{C6}^{C8} (18 pins)

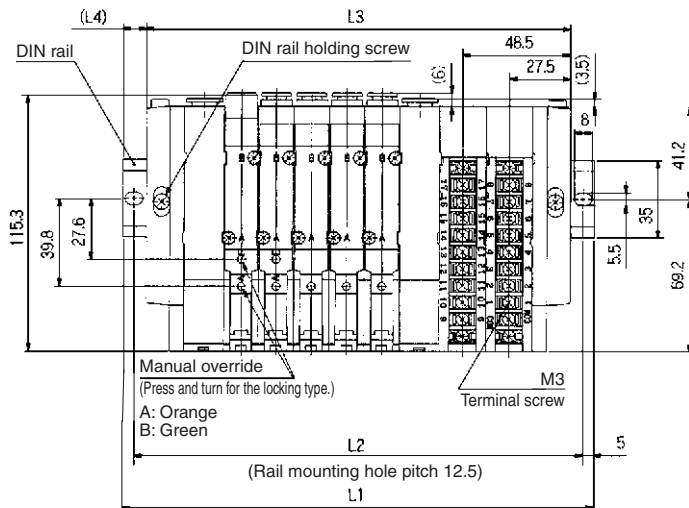
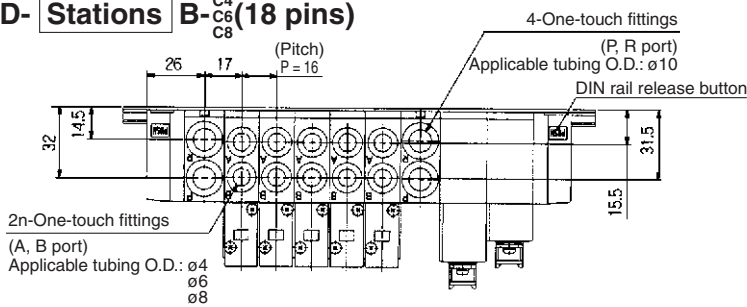


Note) The L1 to L4 dimensions of SS5X5-45T1D- Stations D-□ are identical to those of SS5X5-45T1D- Stations U-□.



Stations n	2 stations	3	4	5	6	7	8	9	10 stations
L1	160.5	173	185.5	198	223	235.5	248	273	285.5
L2	150	162.5	175	187.5	212.5	225	237.5	262.5	275
L3	126	142	158	174	190	206	222	238	254
L4	17	15.5	13.5	12	16.5	14.5	13	17.5	15.5

SS5X5-45T1D- Stations B-^{C4}_{C6}^{C8} (18 pins)



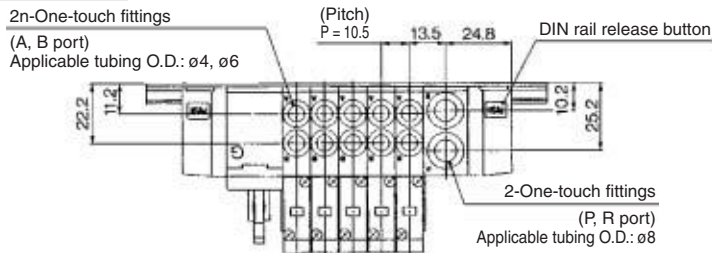
Stations n	2 stations	3	4	5	6	7	8	9 stations
L1	173	185.5	210.5	223	235.5	248	273	285.5
L2	162.5	175	200	212.5	225	237.5	262.5	275
L3	144	160	176	192	208	224	240	256
L4	14.5	12.5	17	15.5	13.5	12	16.5	14.5

Stations n	10 stations	11	12	13	14	15	16	17 stations
L1	298	323	335.5	348	360.5	385.5	398	410.5
L2	287.5	312.5	325	337.5	350	375	387.5	400
L3	272	288	304	320	336	352	368	384
L4	13	17.5	15.5	14	12	16.5	15	13

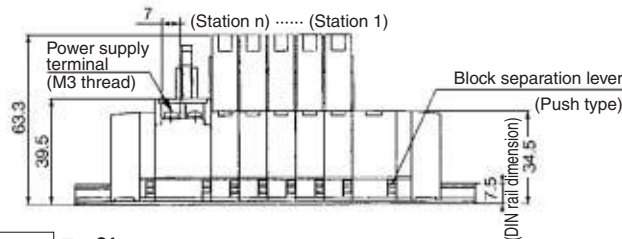
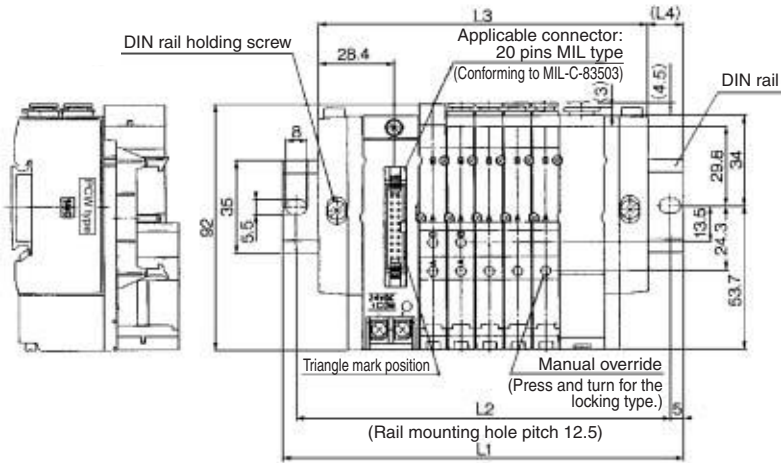
- SV
- SZ
- SY
- SYJ
- SX

SX3000: PC Wiring System Compatible (Flat ribbon cable type/Plug-in)

SS5X3-45GU- Stations D-C₄^{C6}

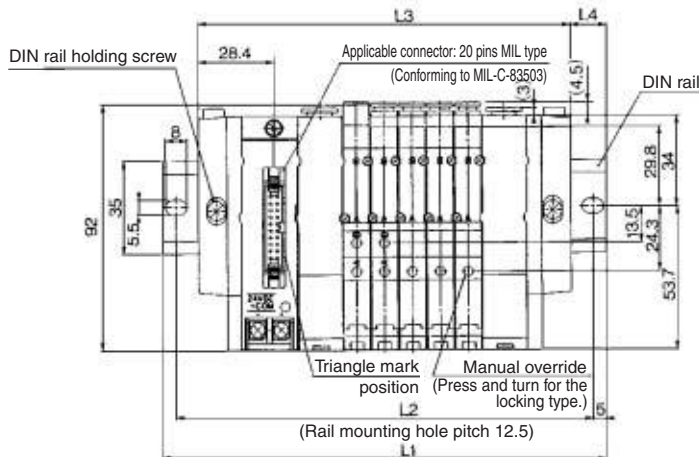
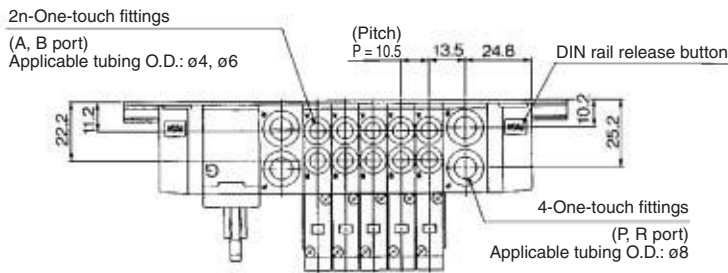


Note) The L1 to L4 dimensions of SS5X3-45GU- Stations U-□ are identical to those of SS5X3-45GU- Stations D-□.



Stations	2 stations	3	4	5	6	7	8	9	10 stations
L1	123	135.5	148	148	160.5	173	185.5	198	210.5
L2	112.5	125	137.5	137.5	150	162.5	175	187.5	200
L3	91.5	102	112.5	123	133.5	144	154.5	165	175.5
L4	15.5	16.5	17.5	12.5	13.5	14.5	15.5	16.5	17.5

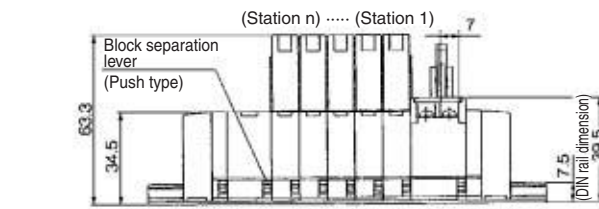
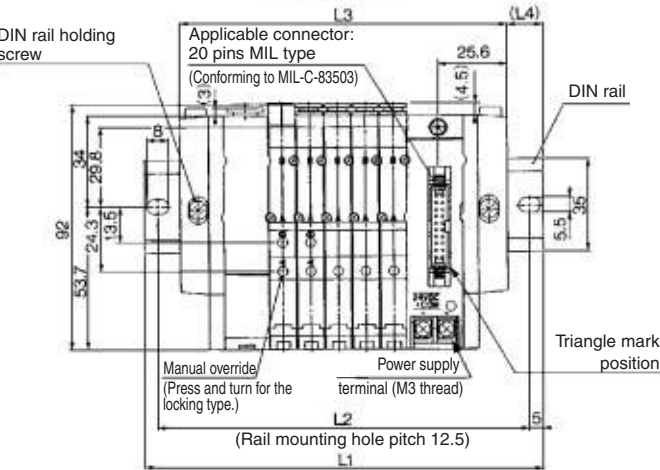
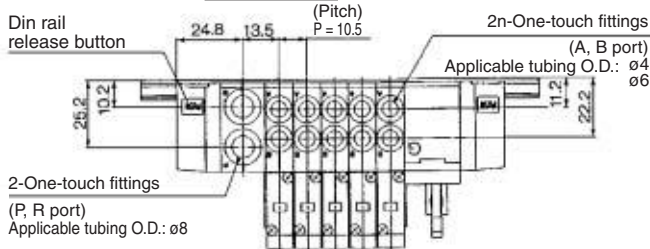
SS5X3-45GU- Stations B-C₄^{C6}



Stations	2 stations	3	4	5	6	7	8	9	10 stations
L1	135.5	148	160.5	173	185.5	185.5	198	210.5	223
L2	125	137.5	150	162.5	175	175	187.5	200	212.5
L3	108	118.5	129	139.5	150	160.5	171	181.5	192
L4	13.5	14.5	15.5	16.5	17.5	12.5	13.5	14.5	15.5

Stations	11 stations	12	13	14	15	16 stations
L1	235.5	248	248	260.5	273	285.5
L2	225	237.5	237.5	250	262.5	275
L3	202.5	213	223.5	234	244.5	255
L4	16.5	17.5	12	13	14	15

SS5X3-45GD- Stations U-C₄



Note) The L1 to L4 dimensions of SS5X3-45GD- [Stations] D-□ are identical to those of SS5X3-45GD- [Stations] U-□.

SV

SZ

SY

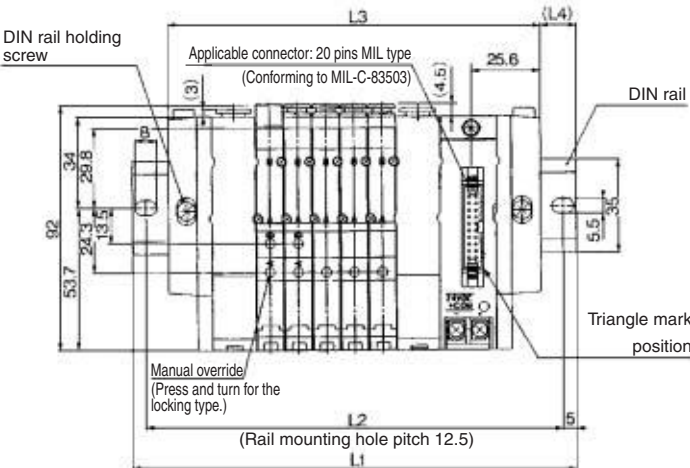
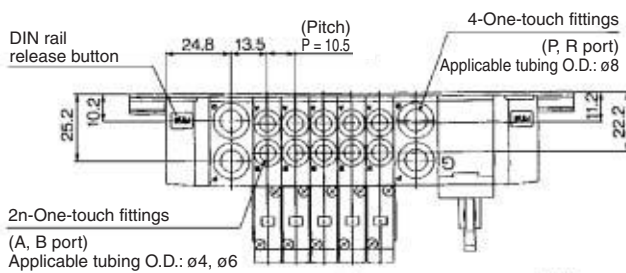
SYJ

SX

(mm)

Stations	2 stations	3	4	5	6	7	8	9	10 stations
L1	123	135.5	148	148	160.5	173	185.5	198	210.5
L2	112.5	125	137.5	137.5	150	162.5	175	187.5	200
L3	91.5	102	112.5	123	133.5	144	154.5	165	175.5
L4	15.5	16.5	17.5	12.5	13.5	14.5	15.5	16.5	17.5

SS5X3-45GD- Stations B-C₄



(mm)

Stations	2 stations	3	4	5	6	7	8	9	10 stations
L1	135.5	148	160.5	173	185.5	185.5	198	210.5	223
L2	125	137.5	150	162.5	175	175	187.5	200	212.5
L3	108	118.5	129	139.5	150	160.5	171	181.5	192
L4	13.5	14.5	15.5	16.5	17.5	12.5	13.5	14.5	15.5

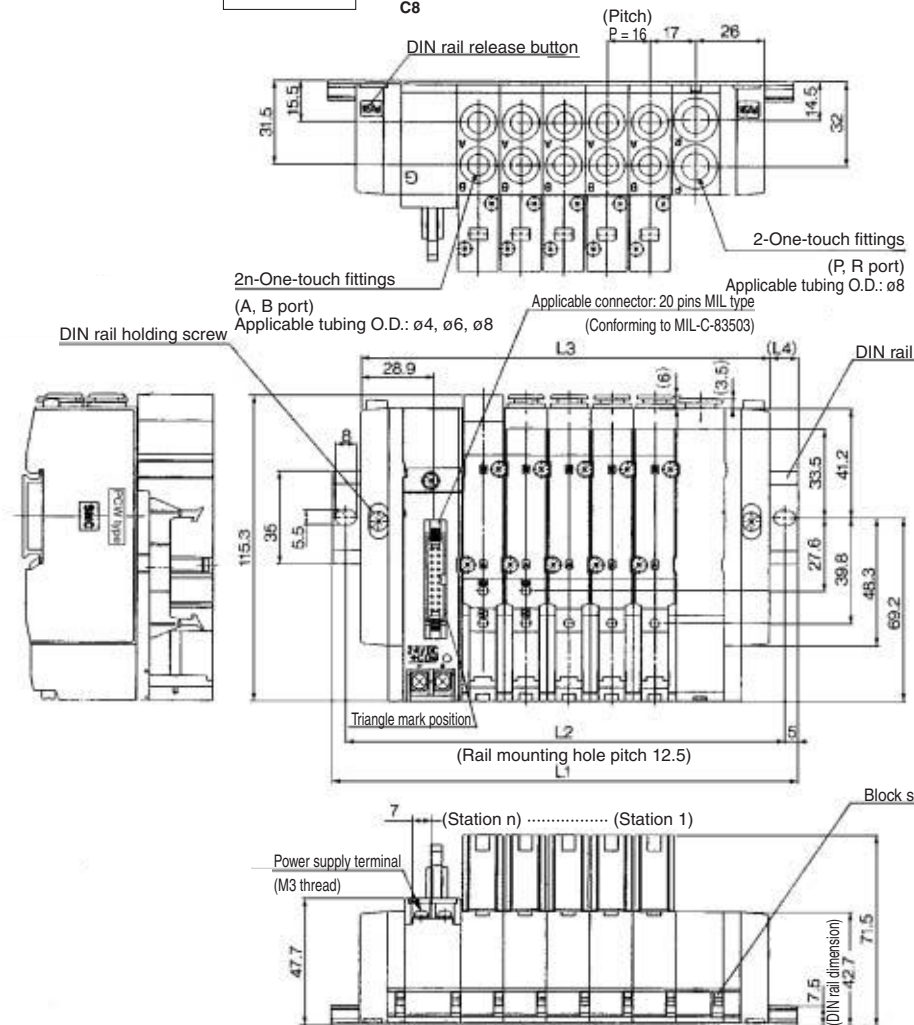
Stations	11 stations	12	13	14	15	16 stations
L1	235.5	248	248	260.5	273	285.5
L2	225	237.5	237.5	250	262.5	275
L3	202.5	213	223.5	234	244.5	255
L4	16.5	17.5	12	13	14	15

SX5000: PC Wiring System Compatible (Flat ribbon cable type/Plug-in)

SS5X5-45GU- Stations D- ^{C4}_{C6}_{C8}

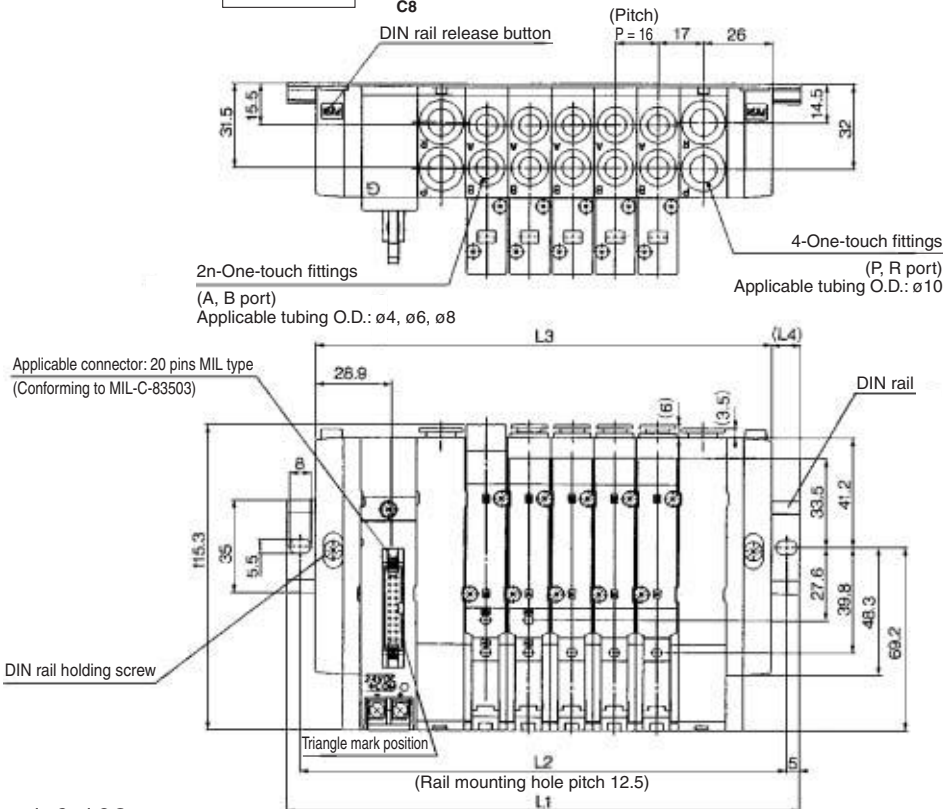


Note) The L1 to L4 dimensions of SS5X5-45GU-
Stations U-□
are identical to those of SS5X5-45GU-
Stations D-□.



Stations	2 stations	3	4	5	6	7	8	9	10 stations
L1	135.5	148	160.5	185.5	198	210.5	235.5	248	260.5
L2	125	137.5	150	175	187.5	200	225	237.5	250
L3	105	121	137	153	169	185	201	217	233
L4	15	13.5	11.5	16	14.5	12.5	17	15.5	13.5

SS5X5-45GU- Stations B- ^{C4}_{C6}_{C8}



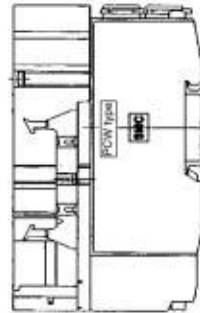
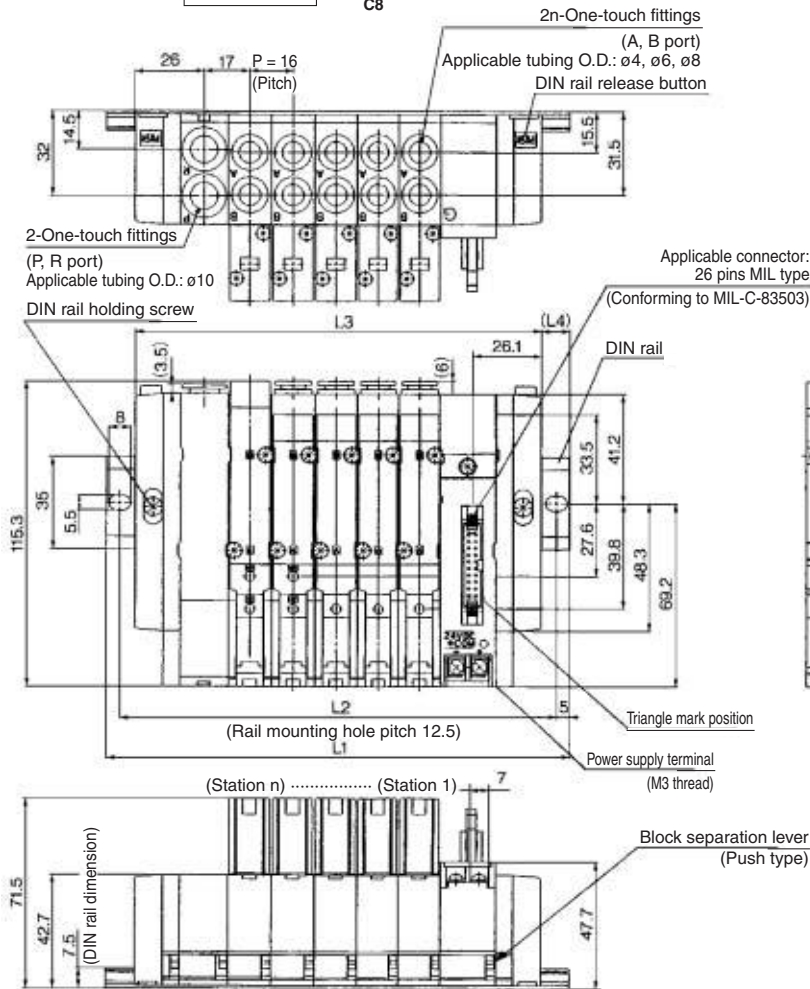
Stations	2 stations	3	4	5	6	7	8	9	10 stations
L1	148	173	185.5	198	210.5	235.5	248	260.5	285.5
L2	137.5	162.5	175	187.5	200	225	237.5	250	275
L3	123	139	155	171	187	203	219	235	251
L4	12.5	17	15	13.5	11.5	16	14.5	12.5	17

Stations	11 stations	12	13	14	15	16 stations
L1	298	310.5	323	348	360.5	373
L2	287.5	300	312.5	337.5	350	362.5
L3	267	283	299	315	331	347
L4	15.5	13.5	12	16.5	14.5	13

SS5X5-45GD- Stations U- C4
C6
C8

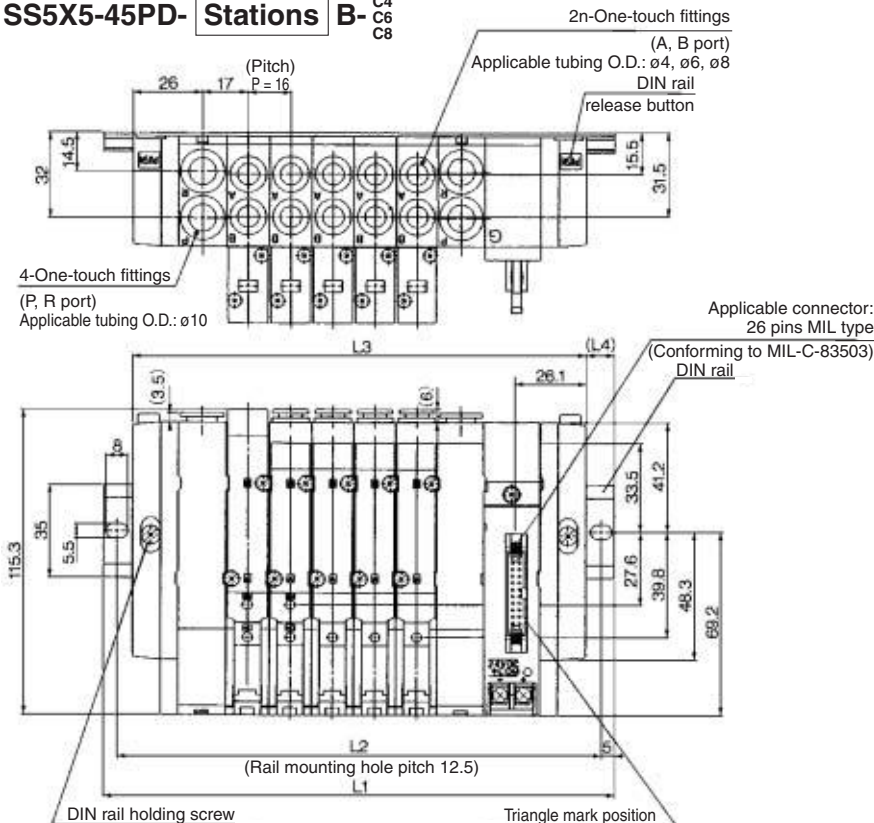


Note) The L1 to L4 dimensions of SS5X5-45GD-
Stations D-□
are identical to those of SS5X5-45GD-
Stations U-□.



Stations	2 stations	3	4	5	6	7	8	9	10 stations
L1	135.5	148	160.5	185.5	198	210.5	235.5	248	260.5
L2	125	137.5	150	175	187.5	200	225	237.5	250
L3	105	121	137	153	169	185	201	217	233
L4	15	13.5	11.5	16	14.5	12.5	17	15.5	13.5

SS5X5-45PD- Stations B- C4
C6
C8



Stations	2 stations	3	4	5	6	7	8	9	10 stations
L1	148	173	185.5	198	210.5	235.5	248	260.5	285.5
L2	137.5	162.5	175	187.5	200	225	237.5	250	275
L3	123	139	155	171	187	203	219	235	251
L4	12.5	17	15	13.5	11.5	16	14.5	12.5	17

Stations	11 stations	12	13	14	15	16 stations
L1	298	310.5	323	348	360.5	373
L2	287.5	300	312.5	337.5	350	362.5
L3	267	283	299	315	331	347
L4	15.5	13.5	12	16.5	14.5	13

SV

SZ

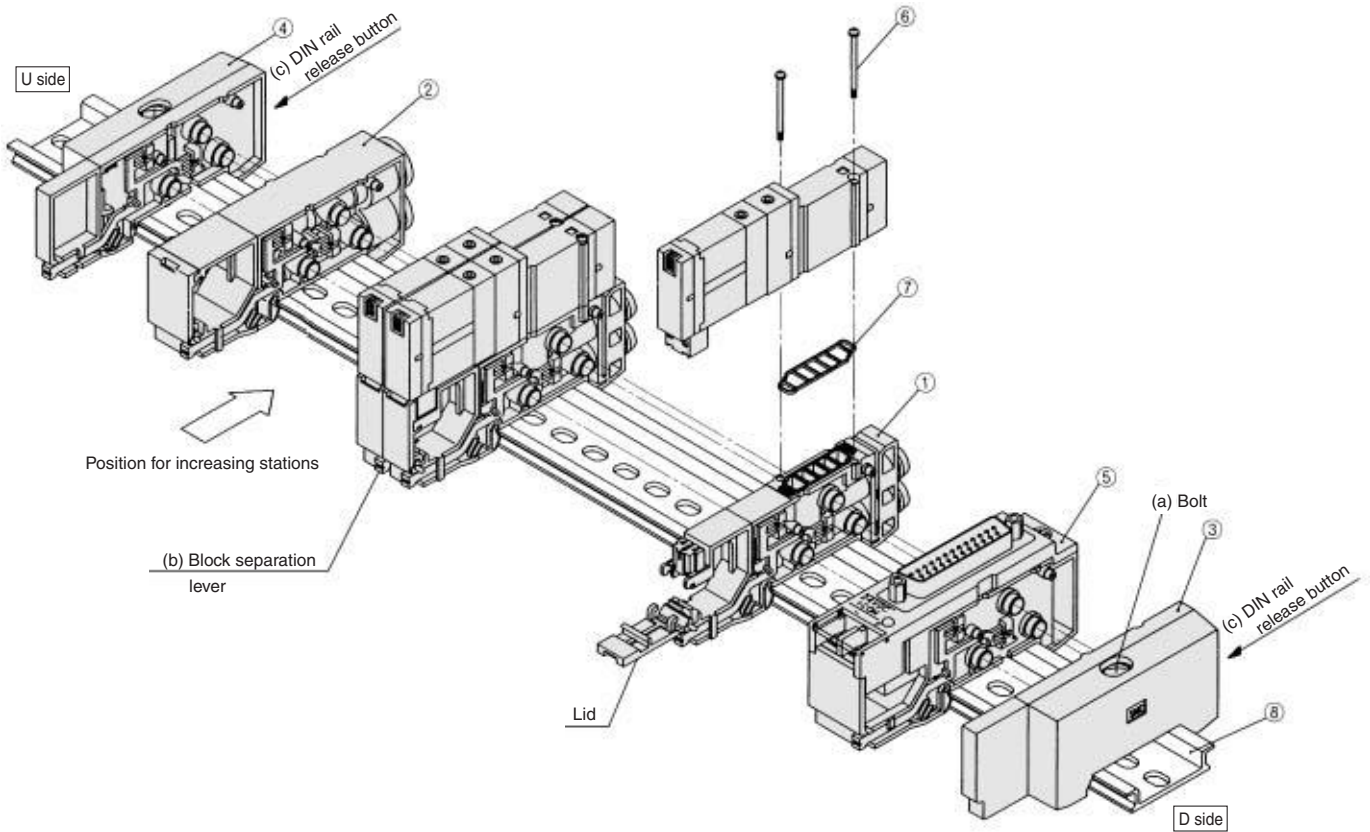
SY

SYJ

SX

Exploded View: DIN Rail Manifold

Type 45F (D-sub connector type) Manifold



Replacement Parts

No.	Description	Part no.		Note
		SX3000	SX5000	
①	Manifold block assembly	Manifold block assembly number differs according to an attached lead wire assembly based on the connector specification (Single, Double). Select an appropriate part number from among the manifold block assembly numbers shown below.		
②	SUP/EXH block assembly	(Metric size) SX3000-51-2A (Inch size) SX3000-51-16A	(Metric size) SX5000-51-2A (Inch size) SX5000-51-16A	R, P port SX3000 (Metric size): With One-touch fittings for ø8 (Inch size): With One-touch fittings for ø5/16" R, P port SX5000 (Metric size): With One-touch fittings for ø10 (Inch size): With One-touch fittings for ø3/16"
③	End block assembly	SX3000-52-2A	SX5000-52-2A	For D side
④	End block assembly	SX3000-53-2A	SX5000-53-2A	For U side
⑤-1	Connector block assembly (For D-sub connector)	SX3000-64-1A _{1NA}	SX5000-64-1A _{1NA}	-1A: +COM -1NA: -COM
⑤-2	Connector block assembly (For 26 pins flat cable)	SX3000-64-2A _{2NA} -26	SX5000-64-2A _{2NA} -26	Note) 24 VDC
⑤-3	Connector block assembly (For 20 pins flat cable)	SX3000-64-2A _{2NA} -20	SX5000-64-2A _{2NA} -20	
⑤-4	Connector block assembly (For 10 pins flat cable)	SX3000-64-2A _{2NA} -10	SX5000-64-2A _{2NA} -10	
⑤-5	Connector block assembly (For 2 to 8 stations (T, T1) terminal block)	SX3000-64-3A	SX5000-64-3A	In common between +COM and -COM.
⑤-6	Connector block assembly (For 9 to 17 stations (T1) terminal block)	SX3000-64-8A	SX5000-64-8A	
⑥	Round head combination screw	SX3000-22-2 (M2 x 24)	M3 x 30 (Matt nickel plated)	
⑦	Gasket	SX3000-57-4	SX5000-57-6	
⑧	DIN rail	VZ1000-11-1-□		Refer to page 1-6-77.

Note) The numbers ⑤-1 to 4 are for 24 VDC. For 12 VDC, suffix -12V to the parts no.
(Example) SX3000-64-1A-12V

Manifold Block Assembly Part No.

Style of manifold	Wiring specifications	Manifold block assembly part no.	Note
For 45(N)F (D-sub connector)	Double	SX ₃ 000-50-2A-□□	□□: • SX3000 (Metric size) (Inch size) C4: With One-touch fitting for ø4 N3: With One-touch fitting for ø5/32" C6: With One-touch fitting for ø6 N7: With One-touch fitting for ø1/4" X5000 (Metric size) (Inch size) C4: With One-touch fitting for ø4 N3: With One-touch fitting for ø5/32" C6: With One-touch fitting for ø6 N7: With One-touch fitting for ø1/4" C8: With One-touch fitting for ø8 N9: With One-touch fitting for ø5/16" (Gasket ⑦ supplied as an accessory.)
	Single	SX ₃ 000-50-3A-□□	
For 45(N) _{PH} (Flat ribbon cable)	Double	SX ₃ 000-50-4A-□□	
	Single	SX ₃ 000-50-5A-□□	
For 45 _{T1} (Terminal block)	Double	SX ₃ 000-50-6A-□□	
	Single	SX ₃ 000-50-7A-□□	

How to Increase Manifold Bases

- (1) Loosen bolt (a) fixing the manifold base until it begins to turn idly. (While pressing DIN rail release button (c), separate the manifold base from the DIN rail.)
- (2) Additional bases are to be added to the U side. Press splitting button (b) of the manifold block assembly on the U side until button (b) locks, and then separate the block assemblies.
- (3) Separate the connector block assembly in the same manner as 2, and remove the connector mounting screw shown in Fig. (1).
- (4) Loosen the valve mounting screw on the U side, remove the valve, and take out the receptacle housing. (Refer to Fig. (2).)
- (5) Insert the common wire (red) of the manifold block assembly to be added into the pin insertion section (N mark) of the receptacle housing that was taken out in 4, mount it on the manifold block, and mount the removed valve.
- (6) As shown in Fig. (3), mount the additional manifold block assembly on the DIN rail on the U side. Refer to the circuit diagram, and insert the lead wire (SOL.A: Black, SOL.B: White) as shown in Fig. (4).
- (7) Press the blocks against each other until a click sound is produced, place the lead wire in the manifold block, and close the lid without pinching the lead wire.
- (8) While lightly holding the blocks together so that there are no gaps between them, secure them to the DIN rail by tightening the screws A. (Tightening torque: 1.4 N·m)

Fig. (1)

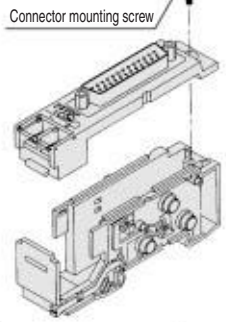


Fig. (2)

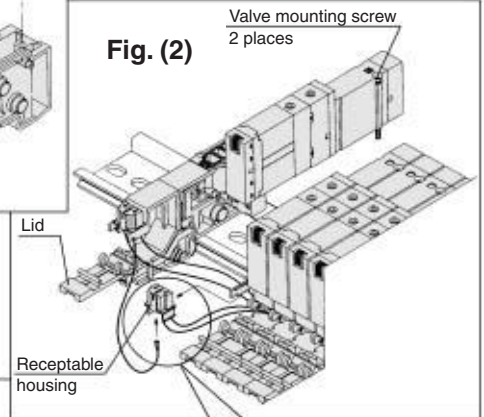


Fig. (3)

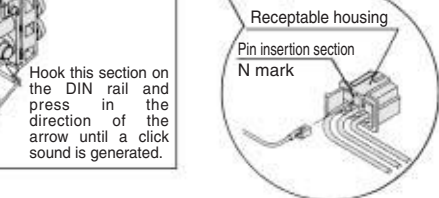
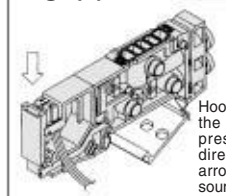
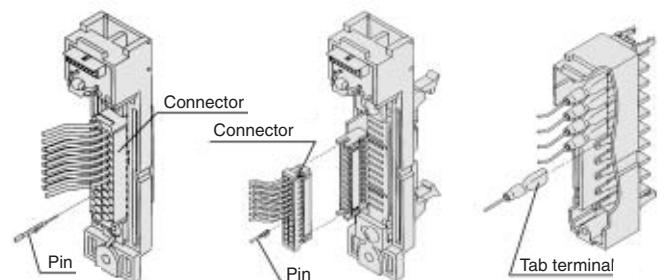


Fig. (4)

D-sub connector (45F) Flat ribbon cable (45P□) Terminal block (45T)



Note) After inserting pins, pull lead wires lightly to check that the pins are locked.

Note) Insert pins after removing the connector from the main unit. After inserting pins, pull lead wires lightly to check that the pins are locked.

Note) Insert tab terminals completely.

⚠ Caution

1. Depending on the connector, there is a limit to the number of solenoids. When all manifold stations are wired for double solenoid valves, expansion of the manifold may not be possible. Please consult with SMC for more information.
2. The manifold block assembly mounting position for additional manifold bases is always on the U side, because wires are connected to respective connectors sequentially from the D side.
3. When bolt (a) for the end block is not sufficiently tightened during reassembly, air leakage may result. Before supplying air, check that there is no gap between blocks and that the manifold block is firmly fixed to the DIN rail in order to ensure air supply without leakage.

How to Change Fitting Assembly

Type 45 manifold permits change in the A and B port sizes by changing the manifold block fitting assembly.

After removing the valve, remove the clip with a screwdriver. To mount a new fitting assembly insert it and then insert a clip so it does not come out of the manifold block.

Fitting Assembly Part No.

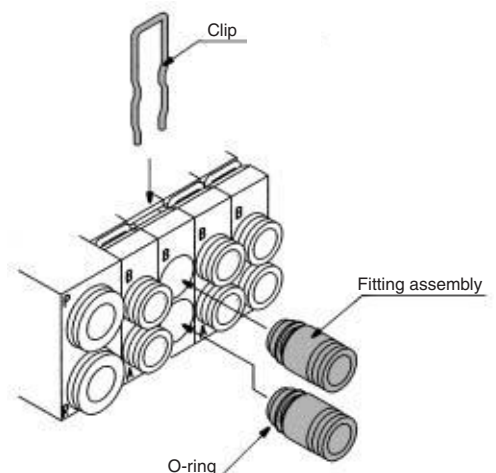
Metric size

SX3000	One-touch fitting for $\phi 4$	VVQ1000-50A-C4
	One-touch fitting for $\phi 6$	VVQ1000-50A-C6
SX5000	One-touch fitting for $\phi 4$	VVQ1000-51A-C4
	One-touch fitting for $\phi 6$	VVQ1000-51A-C6
	One-touch fitting for $\phi 8$	VVQ1000-51A-C8

Inch size

SX3000	One-touch fitting for $\phi 5/32$ "	VVQ1000-50A-N3
	One-touch fitting for $\phi 1/4$ "	VVQ1000-50A-N7
SX5000	One-touch fitting for $\phi 5/32$ "	VVQ1000-51A-N3
	One-touch fitting for $\phi 1/4$ "	VVQ1000-51A-N7
	One-touch fitting for $\phi 5/16$ "	VVQ1000-51A-N9

- Note 1) P and R ports cannot be changed.
 Note 2) Use caution that O-rings must be free from scratches and dust. Otherwise, air leakage may result.



Series **SX3000/5000**
Base Mounted Manifold
Stacking Type DIN Rail Mounted



Serial Transmission Type (Integrated)

How to Order Manifold

SS5X 3 - 45S A - 05 U - 05

Series

3	SX3000
5	SX5000

SI unit

Symbol	Specifications
O	Without SI unit
A	With general type SI unit (Series EX300)
B	Mitsubishi Electric Corp.: MELSECNET/mini-S3 Data Link System
C	OMRON Corp.: SYSBUS Wire System
D	SHARP Corp.: Satellite I/O Link System
E	Matsushita Electric Works: MEWNET-F System
F1	NKE Corp.: Uni-wire System (16 output points)
G	Rockwell Automation: Allen Bradley Remote I/O (RIO) System
H	NKE Corp.: Uni-wire H System
J1	SUNX Corp.: S-LINK System (16 output points)
J2	SUNX Corp.: S-LINK System (8 output points)
K	Fuji Electric Co.: T-LINK Mini System
Q	DeviceNet, CompoBus/D (OMRON Corp.)
R1	OMRON Corp.: CompoBus/S System (16 output points)
R2	OMRON Corp.: CompoBus/S System (8 output points)
U	JEMANET (JPCN-1)
V	Mitsubishi Electric Corp.: CC-LINK System

- For the general purpose type, a transmission unit is required on the CPU side.
- Even though when it is not equipped with SI unit, DIN rail length is long enough for future expectancy of mounting SI unit.

Option

When a longer DIN rail is desired than the specified stations, specify the station number to be required. (20 stations maximum)

Valve stations

Symbol	Stations	Note
02	2 stations	Double wiring specifications
08	8 stations	
02	2 stations	Applicable up to 16 solenoids. Use the manifold specification sheet to specify the wiring specifications.
16	16 stations	

- This also includes the number of blanking plate assemblies.
- When special wiring is required on manifold with 2 to 8 stations, please use the manifold specification sheet.

A, B port size (Metric size)

Symbol	Port size	Applicable series
C4	One-touch fitting for ø4	SX3000
C6	One-touch fitting for ø6	
M	Mixed	
C4	One-touch fitting for ø4	SX5000
C6	One-touch fitting for ø6	
M	Mixed	

SUP/EXH block assembly mounting position

Symbol	Mounting position	Stations
U	U side	2 to 10 stations
D	D side	2 to 10 stations
B	Both sides	2 to 16 stations
M	Special specifications	

* For special specifications, indicate separately by the manifold specification sheet.

(Inch size)

Symbol	Port size	Applicable series
N3	One-touch fitting for ø5/32"	SX3000
N7	One-touch fitting for ø1/4"	
M	Mixed	
N3	One-touch fitting for ø5/32"	SX5000
N7	One-touch fitting for ø1/4"	
M	Mixed	

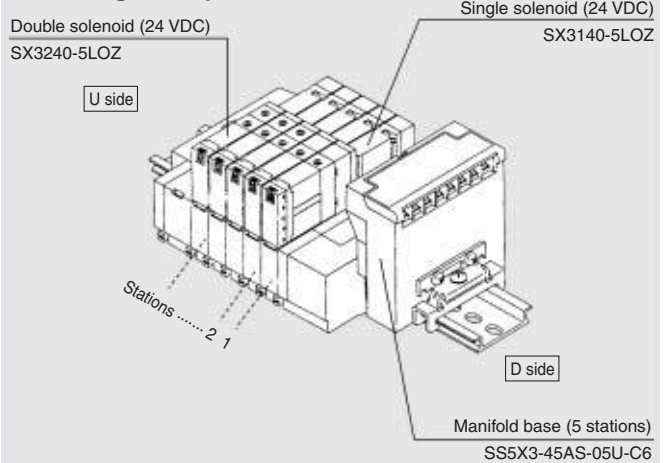
* In the case of mixed specifications (M), indicate separately on the manifold specification sheet.

SI Unit Part No.

Symbol	Specifications	For SS5X□-45S	Symbol	Specifications	For SS5X□-45S
A	With general type SI unit (Series EX300)	EX322-S001	J1	SUNX Corp.: S-LINK System (16 output points)	EX122-SSL1
B	Mitsubishi Electric Corp.: MELSECNET/mini-S3 Data Link System	EX122-SMB1	J2	SUNX Corp.: S-LINK System (8 output points)	EX122-SSL2
C	OMRON Corp.: SYSBUS Wire System	EX122-STA1	K	Fuji Electric Co.: T-LINK Mini System	EX122-SFU1
D	SHARP Corp.: Satellite I/O Link System	EX122-SSH1	Q	DeviceNet, CompoBus/D (OMRON Corp.)	EX122-SDN1
E	Matsushita Electric Works: MEWNET-F System	EX122-SPA1	R1	OMRON Corp.: CompoBus/S System (16 output points)	EX122-SCS1
F1	NKE Corp.: Uni-wire System (16 output points)	EX122-SUW1	R2	OMRON Corp.: CompoBus/S System (8 output points)	EX122-SCS2
G	Rockwell Automation: Allen Bradley Remote I/O (RIO) System	EX122-SAB1	U	JEMANET (JPCN-1)	EX122-SJN1
H	NKE Corp.: Uni-wire H System	EX122-SUH1	V	Mitsubishi Electric Corp.: CC-LINK System	EX122-SMJ1

How to Order Valve Manifold Assembly

Ordering example



SS5X3-45SA-05U-C6.....1 set (45S with serial 5-station manifold base no.)
 *SX3140-5LOZ.....2 sets (Single solenoid part no.)
 *SX3240-5LOZ.....3 sets (Double solenoid part no.)

* The asterisk denotes the symbol for assembly. Prefix it to the part nos. of the solenoid valve, etc.

- They will be assembled in the order listed starting at the first station at the D side whether the connector box is located at either end. When ordering with the double wiring specification, specify it in order, beginning with the 1 station on the D side.
- For manifolds with more than 8 stations (9 to 16), special wiring is required. Please use the manifold specification sheet.
- Serial unit can be mounted on D side only.

How to Order Valves

SX 3 2 40 - 5 LOZ

Series

3	SX3000
5	SX5000

Type of actuation

1	2 position single
2	2 position double
3	3 position closed center
4	3 position exhaust center
5	3 position pressure center

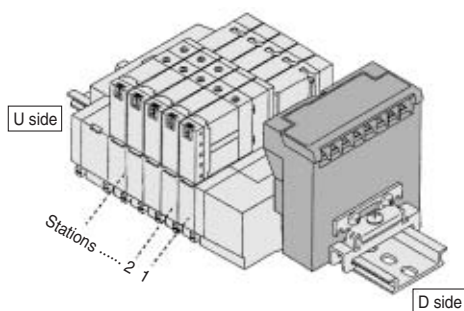
Rated voltage

5	24 VDC
---	--------

Manual override

Nil	Non-locking push type
D	Push-turn locking slotted type

- The serial transmission system reduces wiring work, while minimizing wiring and saving space.
- Maximum 16 stations (Specify a model with more than 9 stations by means of the manifold specification sheet.)



- Stations are counted from station 1 on the D side.
- Maximum station: Up to 16 solenoids (16 single solenoids).

Item	Specifications	
External power supply	24 VDC + 10%/- 5%	
Current consumption (Internal unit)	0.1 A	SA, SB, SD, SE, SF1, SG, SJ1, SJ2, SK, SR1, SR2
	0.3 A	SC, SQ

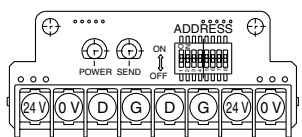
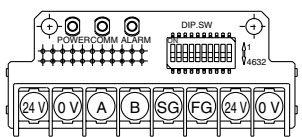
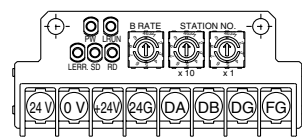
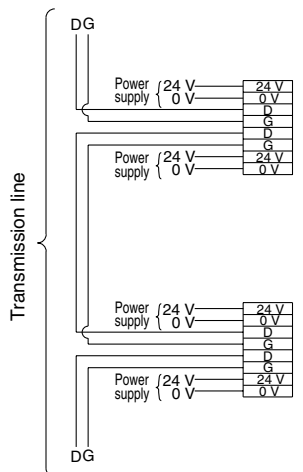
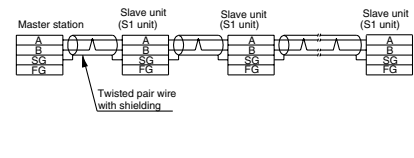
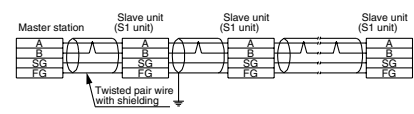
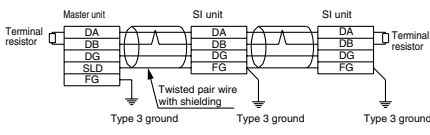
	Type SA Series EX300	Type SB Mitsubishi Electric Corporation MELSECNET/mini-S3 Data Link System																		
Name of terminal block, LED	<table border="1"> <thead> <tr> <th>LED</th> <th>Description</th> </tr> </thead> <tbody> <tr> <td>TRD</td> <td>Lighting during data reception</td> </tr> <tr> <td>RUN/ERR</td> <td>Blinking when received data is normal; Lighting when data reception</td> </tr> </tbody> </table>	LED	Description	TRD	Lighting during data reception	RUN/ERR	Blinking when received data is normal; Lighting when data reception	<table border="1"> <thead> <tr> <th>LED</th> <th>Description</th> </tr> </thead> <tbody> <tr> <td>POWER</td> <td>Lighting when power is turned ON</td> </tr> <tr> <td>RUN</td> <td>Lighting when data transmission with the master station is normal</td> </tr> <tr> <td>RD</td> <td>Lighting during data reception</td> </tr> <tr> <td>SD</td> <td>Lighting during data reception</td> </tr> <tr> <td>ERR.</td> <td>Lighting when reception data error occurs Light turns off when the error is corrected</td> </tr> </tbody> </table>	LED	Description	POWER	Lighting when power is turned ON	RUN	Lighting when data transmission with the master station is normal	RD	Lighting during data reception	SD	Lighting during data reception	ERR.	Lighting when reception data error occurs Light turns off when the error is corrected
	LED	Description																		
TRD	Lighting during data reception																			
RUN/ERR	Blinking when received data is normal; Lighting when data reception																			
LED	Description																			
POWER	Lighting when power is turned ON																			
RUN	Lighting when data transmission with the master station is normal																			
RD	Lighting during data reception																			
SD	Lighting during data reception																			
ERR.	Lighting when reception data error occurs Light turns off when the error is corrected																			
Note	<ul style="list-style-type: none"> • Serial transmission is possible by connecting with I/O card of T unit PLC manufacturer. EX300-TMB1.....for Mitsubishi Electric Corporation EX300-TTA1.....for OMRON Corporation EX300-TFU1.....for Fuji Electric Co., Ltd. EX300-T001.....General purpose * Each T unit has 32 control points. • No. of output point, 16 points 	<ul style="list-style-type: none"> • MELSECNET/mini-S3 Data Link System Master unit: AJ71PT32-S3 AJ71T32-S3 A1SJ71PT32-S3 • No. of output point, 16 points No. of sta. occupied, 2 stations 																		
Cable wiring	<p>* Ground either the reception side or the transmission side of the shielding wire shield.</p>	<p>SI manifold solenoid valve</p> <p>* Ground either the reception side or the transmission side of the shielding wire shield.</p>																		

SV
SZ
SY
SYJ
SX

	Type SC OMRON Corporation SYSBUS Wire System	Type SD SHARP Corporation Satellite I/O Link System	Type SE Matsushita Electric Works, Ltd. MEWNET-F System																										
Name of terminal block, LED	<table border="1"> <thead> <tr> <th>LED</th> <th>Description</th> </tr> </thead> <tbody> <tr> <td>RUN</td> <td>ON when transmission is normal and PLC is in operation mode.</td> </tr> <tr> <td>T/R</td> <td>Blinks during data transmission/reception</td> </tr> <tr> <td>ERR</td> <td>ON when transmission is abnormal</td> </tr> </tbody> </table>	LED	Description	RUN	ON when transmission is normal and PLC is in operation mode.	T/R	Blinks during data transmission/reception	ERR	ON when transmission is abnormal	<table border="1"> <thead> <tr> <th>LED</th> <th>Description</th> </tr> </thead> <tbody> <tr> <td>POWER</td> <td>ON when power supply is ON</td> </tr> <tr> <td>RUN</td> <td>ON when power is ON and slave unit operates normally</td> </tr> <tr> <td>ERROR</td> <td>ON for abnormal slave unit switch setting, abnormal communication, master unit PLC stopped and defective slave unit</td> </tr> <tr> <td>R.SET HOLD</td> <td>ON for master unit control input</td> </tr> </tbody> </table>	LED	Description	POWER	ON when power supply is ON	RUN	ON when power is ON and slave unit operates normally	ERROR	ON for abnormal slave unit switch setting, abnormal communication, master unit PLC stopped and defective slave unit	R.SET HOLD	ON for master unit control input	<table border="1"> <thead> <tr> <th>LED</th> <th>Description</th> </tr> </thead> <tbody> <tr> <td>POWER</td> <td>ON when power supply is ON</td> </tr> <tr> <td>COMM</td> <td>Blinks when transmission is normal</td> </tr> <tr> <td>ALARM</td> <td>ON for unit abnormality, blinks for station no. setting error</td> </tr> </tbody> </table>	LED	Description	POWER	ON when power supply is ON	COMM	Blinks when transmission is normal	ALARM	ON for unit abnormality, blinks for station no. setting error
LED	Description																												
RUN	ON when transmission is normal and PLC is in operation mode.																												
T/R	Blinks during data transmission/reception																												
ERR	ON when transmission is abnormal																												
LED	Description																												
POWER	ON when power supply is ON																												
RUN	ON when power is ON and slave unit operates normally																												
ERROR	ON for abnormal slave unit switch setting, abnormal communication, master unit PLC stopped and defective slave unit																												
R.SET HOLD	ON for master unit control input																												
LED	Description																												
POWER	ON when power supply is ON																												
COMM	Blinks when transmission is normal																												
ALARM	ON for unit abnormality, blinks for station no. setting error																												
Note	<ul style="list-style-type: none"> • SYSBUS Wire System Master unit: Type C500-RM201 C200H-RH201 • No. of output points, 16 points 	<ul style="list-style-type: none"> • Satellite I/O Link System Master unit: ZW-31LM JW-31LM JW-23LM • No. of output points, 16 points 	<ul style="list-style-type: none"> • MEWNET-F System Master unit: AFP3740 AFP5740 • No. of output points, 16 points 																										
Cable wiring		<p>a) 2-wire type Wiring without signal ground line (SG)</p> <p>b) 3-wire type Wiring with signal ground line (SG)</p>																											

	Type SF1 NKE Corporation Uni-wire System	Type SG Rockwell Automation, Inc. Allen Bradley Remote I/O (RIO) System	Type SJ1, SJ2 SUNX Corporation S-LINK System																				
Name of terminal block, LED	<table border="1"> <thead> <tr> <th>LED</th> <th>Description</th> </tr> </thead> <tbody> <tr> <td>POWER</td> <td>Lighting when power is turned ON (ON when normal, flickers when voltage drops)</td> </tr> <tr> <td>SEND</td> <td>Transmission indication: Blinks when normal, Blinks slowly when abnormal</td> </tr> </tbody> </table>	LED	Description	POWER	Lighting when power is turned ON (ON when normal, flickers when voltage drops)	SEND	Transmission indication: Blinks when normal, Blinks slowly when abnormal	<table border="1"> <thead> <tr> <th>LED</th> <th>Description</th> </tr> </thead> <tbody> <tr> <td>POWER</td> <td>ON when power supply is ON</td> </tr> <tr> <td>COM.</td> <td>Blinks when communication is normal OFF for abnormal communication</td> </tr> <tr> <td>ERROR</td> <td>ON for abnormal communication</td> </tr> </tbody> </table>	LED	Description	POWER	ON when power supply is ON	COM.	Blinks when communication is normal OFF for abnormal communication	ERROR	ON for abnormal communication	<table border="1"> <thead> <tr> <th>LED</th> <th>Description</th> </tr> </thead> <tbody> <tr> <td>POWER</td> <td>Lighting when power is turned ON</td> </tr> <tr> <td>SEND</td> <td>Transmission indication: Blinks when normal, Blinks slowly when abnormal</td> </tr> </tbody> </table>	LED	Description	POWER	Lighting when power is turned ON	SEND	Transmission indication: Blinks when normal, Blinks slowly when abnormal
LED	Description																						
POWER	Lighting when power is turned ON (ON when normal, flickers when voltage drops)																						
SEND	Transmission indication: Blinks when normal, Blinks slowly when abnormal																						
LED	Description																						
POWER	ON when power supply is ON																						
COM.	Blinks when communication is normal OFF for abnormal communication																						
ERROR	ON for abnormal communication																						
LED	Description																						
POWER	Lighting when power is turned ON																						
SEND	Transmission indication: Blinks when normal, Blinks slowly when abnormal																						
Note	<ul style="list-style-type: none"> Wiring Simplifying System Send unit: SD-120 No. of output points, 16 points 	<ul style="list-style-type: none"> Remote I/O (RIO) System No. of output points, 16 points 	<ul style="list-style-type: none"> S-LINK System S-LINK Controller: SL-CU1 No. of output points, 16 points (Type SJ1) No. of output points, 8 points (Type SJ2) 																				
Cable wiring			<p>a) Type T branching multi-drop wiring (S-LINK System)</p> <p>b) Crossover wiring (Sensor Link System)</p> <p>Black, White, Brown, Blue Main transmission line, Crimped connector SL-J1A, Transmission line</p> <p>The above is the example of using dedicated S-LINK flat ribbon cable SL-RCM#100.</p>																				

	Type SK Fuji Electric Co. Ltd. T-LINK Mini System	Type SQ DeviceNet	Type SR1, SR2 OMRON Corporation CompoBus/S System																				
Name of terminal block, LED	<table border="1"> <thead> <tr> <th>LED</th> <th>Description</th> </tr> </thead> <tbody> <tr> <td>POWER</td> <td>Lighting when power is turned ON</td> </tr> <tr> <td>SEND</td> <td>ON when communication power is supplied, OFF when power is OFF</td> </tr> </tbody> </table>	LED	Description	POWER	Lighting when power is turned ON	SEND	ON when communication power is supplied, OFF when power is OFF	<table border="1"> <thead> <tr> <th>LED</th> <th>Description</th> </tr> </thead> <tbody> <tr> <td>POWER</td> <td>Green light ON with circuit power input It turns OFF when unit and circuit are not powered Green light ON continuously: When the unit is online and in operation</td> </tr> <tr> <td>MOD/NET</td> <td>Red light blinks when an abnormal transmission is generated in the unavailable circuit. Red light turns ON when an abnormal transmission is generated in the unavailable circuit or neither unit or circuit is available.</td> </tr> </tbody> </table>	LED	Description	POWER	Green light ON with circuit power input It turns OFF when unit and circuit are not powered Green light ON continuously: When the unit is online and in operation	MOD/NET	Red light blinks when an abnormal transmission is generated in the unavailable circuit. Red light turns ON when an abnormal transmission is generated in the unavailable circuit or neither unit or circuit is available.	<table border="1"> <thead> <tr> <th>LED</th> <th>Description</th> </tr> </thead> <tbody> <tr> <td>POWER</td> <td>Light ON with transmission power input, light Off without it</td> </tr> <tr> <td>COMM</td> <td>ON for normal communication, OFF for abnormal communication or waiting</td> </tr> <tr> <td>ERR</td> <td>ON for abnormal communication, OFF for normal communication or waiting</td> </tr> </tbody> </table>	LED	Description	POWER	Light ON with transmission power input, light Off without it	COMM	ON for normal communication, OFF for abnormal communication or waiting	ERR	ON for abnormal communication, OFF for normal communication or waiting
LED	Description																						
POWER	Lighting when power is turned ON																						
SEND	ON when communication power is supplied, OFF when power is OFF																						
LED	Description																						
POWER	Green light ON with circuit power input It turns OFF when unit and circuit are not powered Green light ON continuously: When the unit is online and in operation																						
MOD/NET	Red light blinks when an abnormal transmission is generated in the unavailable circuit. Red light turns ON when an abnormal transmission is generated in the unavailable circuit or neither unit or circuit is available.																						
LED	Description																						
POWER	Light ON with transmission power input, light Off without it																						
COMM	ON for normal communication, OFF for abnormal communication or waiting																						
ERR	ON for abnormal communication, OFF for normal communication or waiting																						
Note	<ul style="list-style-type: none"> T-LINK Mini System Master unit: FTM100B Converter: FRC100A-G02 Repeater: FRC200A-C10 No. of output points, 16 points 	<ul style="list-style-type: none"> DeviceNet OMRON Corp's CompoBus/D System Master station unit: C200HW-DSM21 No. of output points, 16 points 	<ul style="list-style-type: none"> CompoBus/S System Master station unit: C200HW-SRM21 Master station unit: CQM1-SRM21 No. of output points, 16 points (Type SR1) No. of output points, 8 points (Type SR2) 																				
Cable wiring	<p>Connect the shielding wire to the SD terminal. If the shielding wire is not connected to the SD terminal, normal transmission will be impossible even for short distances. Furthermore, do not ground the shielding wire (SD).</p>																						

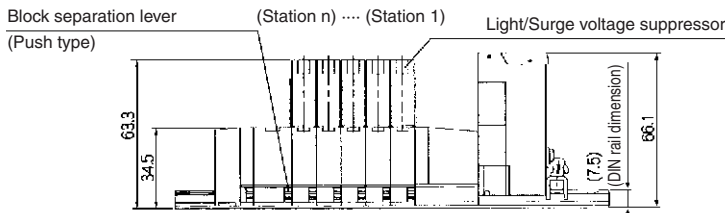
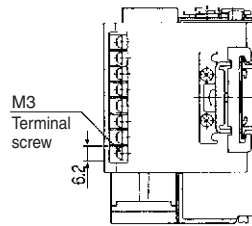
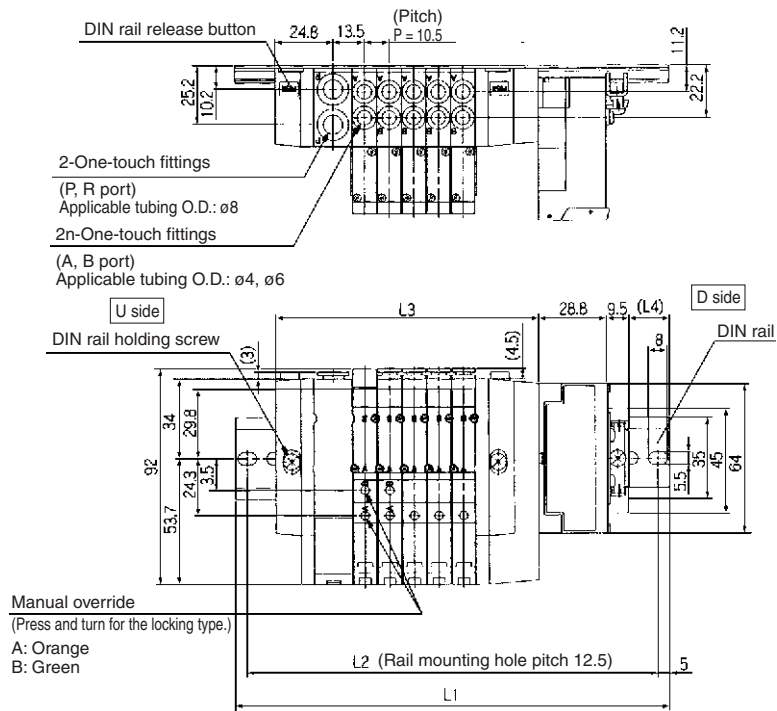
	Type SH NKE Corporation Uni-wire H System	Type SU JEMANET (JPCN-1)	Type SV Mitsubishi Electric Corporation CC-LINK System																										
Name of terminal block, LED	 <table border="1" data-bbox="159 414 582 537"> <thead> <tr> <th>LED</th> <th>Description</th> </tr> </thead> <tbody> <tr> <td>POWER</td> <td>Lighting when power is turned ON (ON when normal, flickers when voltage drops)</td> </tr> <tr> <td>SEND</td> <td>Transmission indication: Blinks when normal, Transmission indication: OFF or ON when abnormal</td> </tr> </tbody> </table>	LED	Description	POWER	Lighting when power is turned ON (ON when normal, flickers when voltage drops)	SEND	Transmission indication: Blinks when normal, Transmission indication: OFF or ON when abnormal	 <table border="1" data-bbox="606 414 1029 515"> <thead> <tr> <th>LED</th> <th>Description</th> </tr> </thead> <tbody> <tr> <td>POWER</td> <td>ON for SI unit power supply input</td> </tr> <tr> <td>COMM</td> <td>On for normal communication</td> </tr> <tr> <td>ALARM</td> <td>ON for abnormal communication</td> </tr> </tbody> </table>	LED	Description	POWER	ON for SI unit power supply input	COMM	On for normal communication	ALARM	ON for abnormal communication	 <table border="1" data-bbox="1053 414 1476 604"> <thead> <tr> <th>LED</th> <th>Description</th> </tr> </thead> <tbody> <tr> <td>PWR</td> <td>Light ON with transmission power input, light Off without it</td> </tr> <tr> <td>L RUN</td> <td>ON when normal data is being received</td> </tr> <tr> <td>SD</td> <td>ON when data is transmitted</td> </tr> <tr> <td>RD</td> <td>ON when data is received</td> </tr> <tr> <td>L ERR.</td> <td>ON for transmission error/wrong setting, Blinks when station or transmission speed setting changes during operation</td> </tr> </tbody> </table>	LED	Description	PWR	Light ON with transmission power input, light Off without it	L RUN	ON when normal data is being received	SD	ON when data is transmitted	RD	ON when data is received	L ERR.	ON for transmission error/wrong setting, Blinks when station or transmission speed setting changes during operation
LED	Description																												
POWER	Lighting when power is turned ON (ON when normal, flickers when voltage drops)																												
SEND	Transmission indication: Blinks when normal, Transmission indication: OFF or ON when abnormal																												
LED	Description																												
POWER	ON for SI unit power supply input																												
COMM	On for normal communication																												
ALARM	ON for abnormal communication																												
LED	Description																												
PWR	Light ON with transmission power input, light Off without it																												
L RUN	ON when normal data is being received																												
SD	ON when data is transmitted																												
RD	ON when data is received																												
L ERR.	ON for transmission error/wrong setting, Blinks when station or transmission speed setting changes during operation																												
Note	<ul style="list-style-type: none"> • Uni-wire H System Send unit: SD-H2 • No. of output points, 16 points 	<ul style="list-style-type: none"> • JEMANET (JPCN-1) (Reference) AJ71J92-S3 (Mitsubishi Electric Corporation) A1SJ71J92-S3 (Mitsubishi Electric Corporation) Type C200HW-JRM21 (OMRON Corporation) NJ-JPCN-1 (Fuji Electric Co., Ltd.) NP1L-JP1 (Fuji Electric Co., Ltd.) • No. of output points, 16 points 	<ul style="list-style-type: none"> • CC-LINK System Master unit: AJ61BT11 A1SJ61BT11 AJ61QBT11 A1SJ61QBT11 • No. of output points, 16 points 																										
Cable wiring		<p>a) 2-wire type</p>  <p>b) 3-wire type</p> 																											

SV
SZ
SY
SYJ
SX

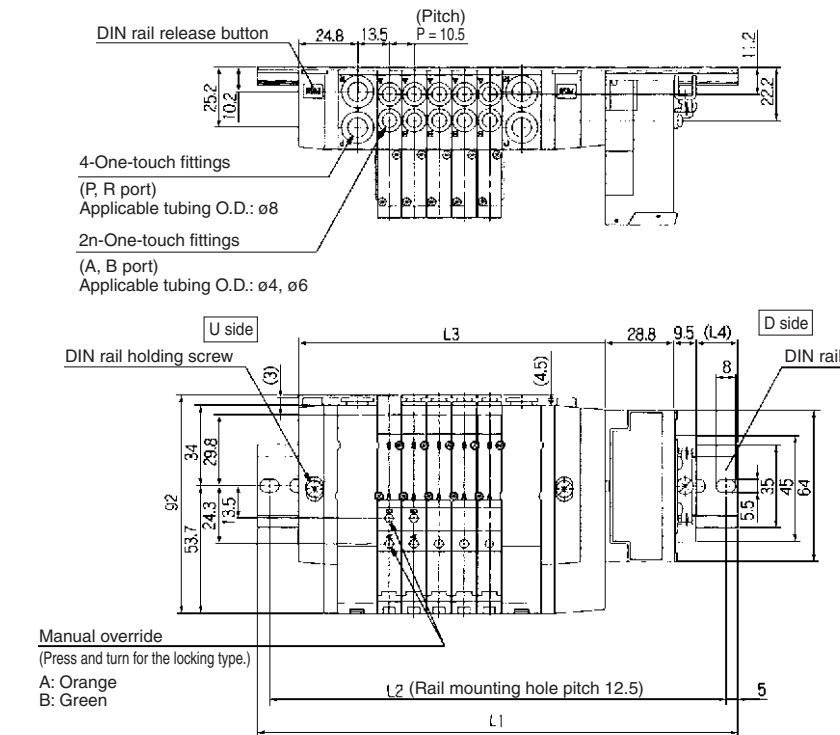
Courtesy of Steven Engineering, Inc.-230 Ryan Way, South San Francisco, CA 94080-6370-Main Office: (650) 588-9200-Outside Local Area: (800) 258-9200-www.stevenengineering.com

SX3000: Serial Transmission Unit/Plug-in

SS5X3-45S - Stations U-C4 C6



SS5X3-45S - Stations B-C4 C6



(mm)

Stations n	2 stations	3	4	5	6	7	8	9	10 stations
L1	148	160.5	173	185.5	185.5	198	210.5	223	235.5
L2	137.5	150	162.5	175	175	187.5	200	212.5	225
L3	81	91.5	102	112.5	123	133.5	144	154.5	165
L4	14.5	15.5	16.5	17.5	12	13	14	15	16

Note) Width of SI unit applicable to "E": Matsushita Electric Works, Ltd. and "G": Rockwell Automation, Inc. widens to [24.3 mm]. For further information, please consult with SMC.

(mm)

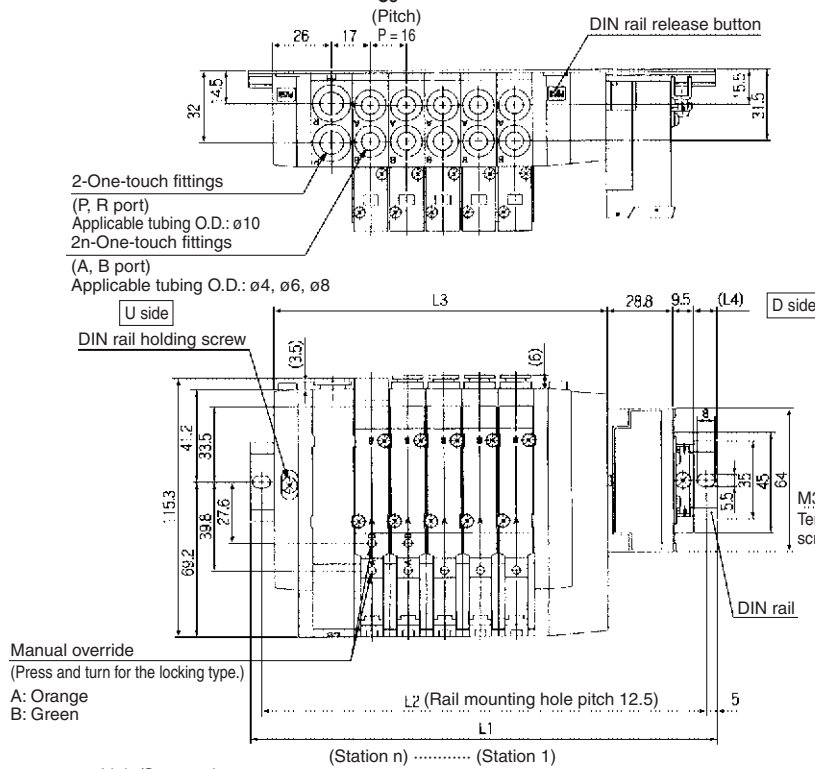
Stations n	2 stations	3	4	5	6	7	8	9	10 stations
L1	160.5	173	185.5	198	210.5	223	223	235.5	248
L2	150	162.5	175	187.5	200	212.5	212.5	225	237.5
L3	97.5	108	118.5	129	139.5	150	160.5	171	181.5
L4	12.5	13.5	14.5	15.5	16.5	17.5	12	13	14

Stations n	11 stations	12	13	14	15	16 stations
L1	260.5	273	285.5	280.5	298	310.5
L2	250	262.5	275	275	287.5	300
L3	192	202.5	213	223.5	234	244.5
L4	15	16	17	12	13	14

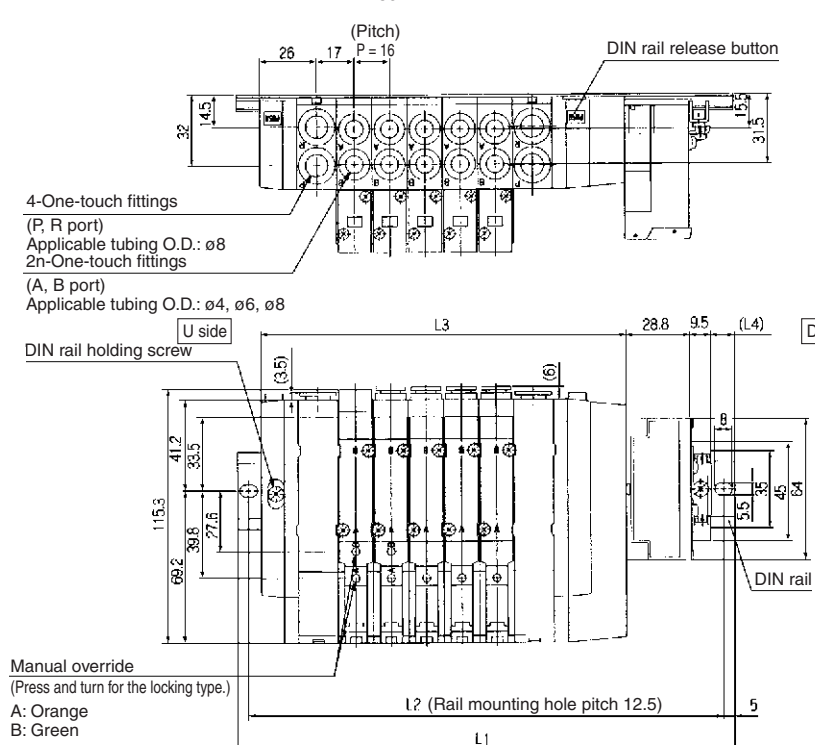
Note) Width of SI unit applicable to "E": Matsushita Electric Works, Ltd. and "G": Rockwell Automation, Inc. widens to [24.3 mm]. For further information, please consult with SMC.

SX5000: Serial Transmission Unit/Plug-in

SS5X5-45S - Stations **U** ^{C4}_{C6}_{C8}



SS5X5-45S - Stations **B** ^{C4}_{C6}_{C8}



- SV
- SZ
- SY
- SYJ
- SX

(mm)

Stations n	2 stations	3	4	5	6	7	8	9	10 stations
L1	173	185.5	198	210.5	235.5	248	260.5	285.5	298
L2	162.5	175	187.5	200	225	237.5	250	275	287.5
L3	100	116	132	148	164	180	196	212	228
L4	17.5	15.5	14	12	16.5	15	13	17.5	16

Note) Width of SI unit applicable to "E": Matsushita Electric Works, Ltd. and "G": Rockwell Automation, Inc. widens to 24.3 mm). For further information, please consult with SMC.

(mm)

Stations n	2 stations	3	4	5	6	7	8	9	10 stations
L1	185.5	198	223	235.5	248	260.5	285.5	298	310.5
L2	175	187.5	212.5	225	237.5	250	275	287.5	300
L3	118	134	150	166	182	198	214	230	246
L4	14.5	13	17.5	15.5	14	12	16.5	15	13

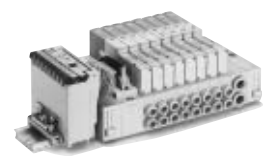
(mm)

Stations n	11 stations	12	13	14	15	16 stations
L1	335.5	348	360.5	373	398	410.5
L2	325	337.5	350	362.5	387.5	400
L3	262	278	294	310	326	342
L4	17.5	16	14	12.5	17	15

Note) Width of SI unit applicable to "E": Matsushita Electric Works, Ltd. and "G": Rockwell Automation, Inc. widens to 24.3 mm). For further information, please consult with SMC.

Courtesy of Steven Engineering, Inc.-230 Ryan Way, South San Francisco, CA 94080-6370-Main Office: (650) 588-9200-Outside Local Area: (800) 258-9200-www.stevenengineering.com

Courtesy of Steven Engineering, Inc.-230 Ryan Way, South San Francisco, CA 94080-6370-Main Office: (650) 588-9200-Outside Local Area: (800) 255-9200-www.stevenengineering.com



Series SX3000/5000
Base Mounted Manifold
Stacking Type DIN Rail Mounted

Type 45S1

Serial Transmission Type (Separated)

How to Order Manifold

SS5X 3 - 45S1 A D 05 U C4

Series

3	SX3000
5	SX5000

SI unit

Symbol	Specifications
O	Without SI unit
A	With general type SI unit (Series EX300)
B	Mitsubishi Electric Corp.: MELSECNET/mini-S3 Data Link System
C	OMRON Corp.: SYSBUS Wire System
D	SHARP Corp.: Satellite I/O Link System
E	Matsushita Electric Works: MEWNET-F System
F1	NKE Corp.: Uni-wire System (16 output points)
G	Rockwell Automation: Allen Bradley Remote I/O (RIO) System
H	NKE Corp.: Uni-wire H System
J1	SUNX Corp.: S-LINK System (16 output points)
J2	SUNX Corp.: S-LINK System (8 output points)
K	Fuji Electric Co.: T-LINK Mini System
Q	DeviceNet, CompoBus/D (OMRON Corp.)
R1	OMRON Corp.: CompoBus/S System (16 output points)
R2	OMRON Corp.: CompoBus/S System (8 output points)
U	JEMANET (JPCN-1)
V	Mitsubishi Electric Corp.: CC-LINK System

SI unit mounting position

Symbol	Mounting position
U	U side
D	D side

Valve stations

Symbol	Stations	Note
02	2 stations	Double wiring specifications
:	:	
08	8 stations	Applicable up to 16 solenoids. Use the manifold specification sheet to specify the wiring specifications.
09	9 stations	
:	:	
16	16 stations	

- This also includes the number of blanking plate assemblies.
- When special wiring is required on manifold with 2 to 8 stations, please use the manifold specification sheet.

A, B port size (Metric size)

Symbol	Port size	Applicable series
C4	One-touch fitting for ø4	SX3000
C6	One-touch fitting for ø6	
M	Mixed	
C4	One-touch fitting for ø4	SX5000
C6	One-touch fitting for ø6	
C8	One-touch fitting for ø8	
M	Mixed	

(Inch size)

Symbol	Port size	Applicable series
N3	One-touch fitting for ø5/32"	SX3000
N7	One-touch fitting for ø1/4"	
M	Mixed	
N3	One-touch fitting for ø5/32"	SX5000
N7	One-touch fitting for ø1/4"	
N9	One-touch fitting for ø5/16"	
M	Mixed	

* In the case of mixed specifications (M), indicate separately on the manifold specification sheet.

SUP/EXH block assembly mounting position

Symbol	Mounting position	Stations
U	U side	2 to 10 stations
D	D side	2 to 10 stations
B	Both sides	2 to 16 stations
M	Special specifications	

* For special specifications, indicate separately by the manifold specification sheet.

Option

When a longer DIN rail is desired than the specified stations, specify the station number to be required. (20 stations maximum)

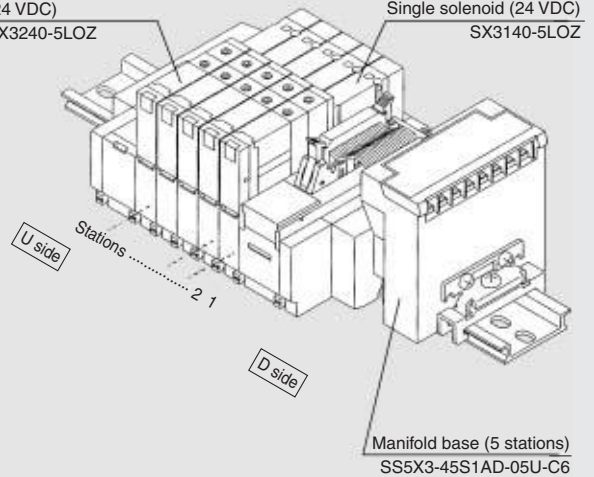
SI Unit Part No.

Symbol	Specifications	For SS5X□-45S	Symbol	Specifications	For SS5X□-45S
A	With general type SI unit (Series EX300)	EX321-S001	J1	SUNX Corp.: S-LINK System (16 output points)	EX121-SSL1
B	Mitsubishi Electric Corp.: MELSECNET/mini-S3 Data Link System	EX321-S001	J2	SUNX Corp.: S-LINK System (8 output points)	EX121-SSL2
C	OMRON Corp.: SYSBUS Wire System	EX121-STA1	K	Fuji Electric Co.: T-LINK Mini System	EX121-SFU1
D	SHARP Corp.: Satellite I/O Link System	EX121-SSH1	Q	DeviceNet, CompoBus/D (OMRON Corp.)	EX121-SDN1
E	Matsushita Electric Works: MEWNET-F System	EX121-SPA1	R1	OMRON Corp.: CompoBus/S System (16 output points)	EX121-SCS1
F1	NKE Corp.: Uni-wire System (16 output points)	EX121-SUW1	R2	OMRON Corp.: CompoBus/S System (8 output points)	EX121-SCS2
G	Rockwell Automation: Allen Bradley Remote I/O (RIO) System	EX121-SAB1	U	JEMANET (JPCN-1)	EX121-SJN1
H	NKE Corp.: Uni-wire H System	EX121-SUH1	V	Mitsubishi Electric Corp.: CC-LINK System	EX121-SMJ1

How to Order Valve Manifold Assembly

Ordering example

Double solenoid (24 VDC) SX3240-5LOZ
Single solenoid (24 VDC) SX3140-5LOZ



SS5X3-45S1AD-05U-C6... 1 set (45S1 with serial 5-station manifold base no.)
*SX3140-5LOZ..... 2 sets (Single solenoid part no.)
*SX3240-5LOZ..... 3 sets (Double solenoid part no.)

* The asterisk denotes the symbol for assembly. Prefix it to the part nos. of the solenoid valve, etc.

- They will be assembled in the order listed starting at the first station at the D side whether the connector box is located at either end. When ordering with the double wiring specification, specify it in order, beginning with the 1 station on the D side.
- For manifolds with more than 8 stations (9 to 16), special wiring is required. Please use the manifold specification sheet.

SV
SZ
SY
SYJ
SX

How to Order Valves

SX 3 2 40 - 5 LOZ

Series

3	SX3000
5	SX5000

Type of actuation

1	2 position single
2	2 position double
3	3 position closed center
4	3 position exhaust center
5	3 position pressure center

Rated voltage

5	24 VDC
---	--------

Manual override

Nil	Non-locking push type
D	Push-turn locking slotted type

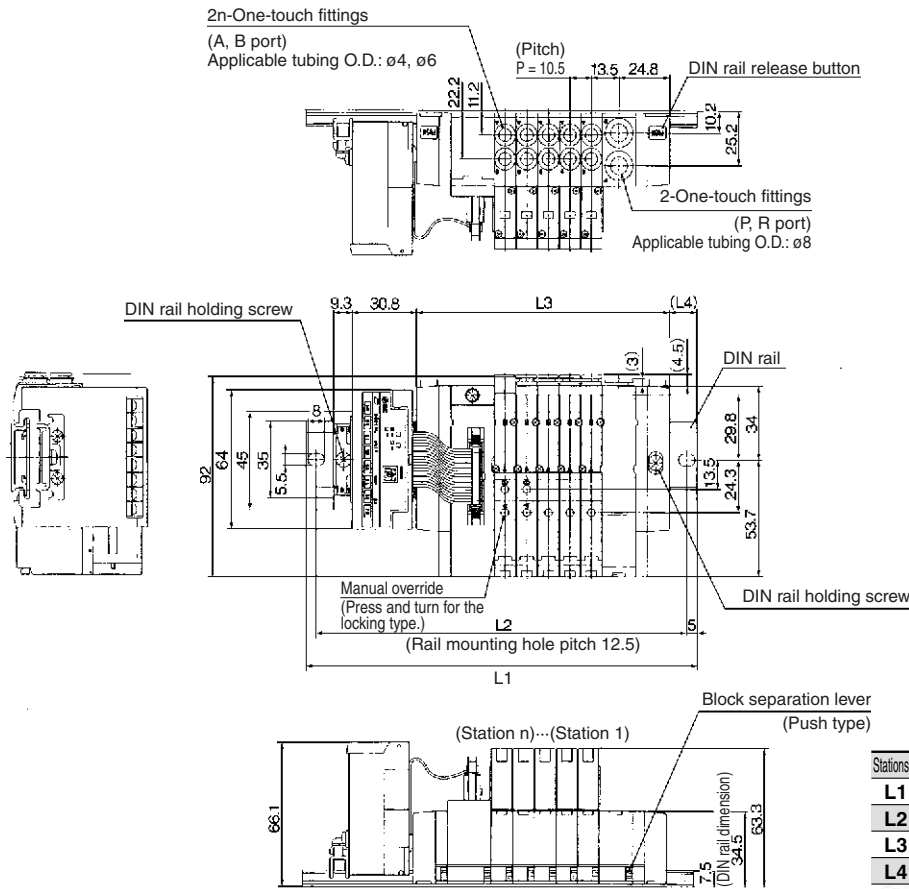


SX3000: Serial Transmission Unit/Plug-in

SS5X3-45S1 □ U- Stations D-^{C4}/_{C6}



Note) The L1 to L4 dimensions of SS5X3-45S1 □ U- [Stations] U-□ are identical to those of SS5X3-45S1 □ U- [Stations] D-□.

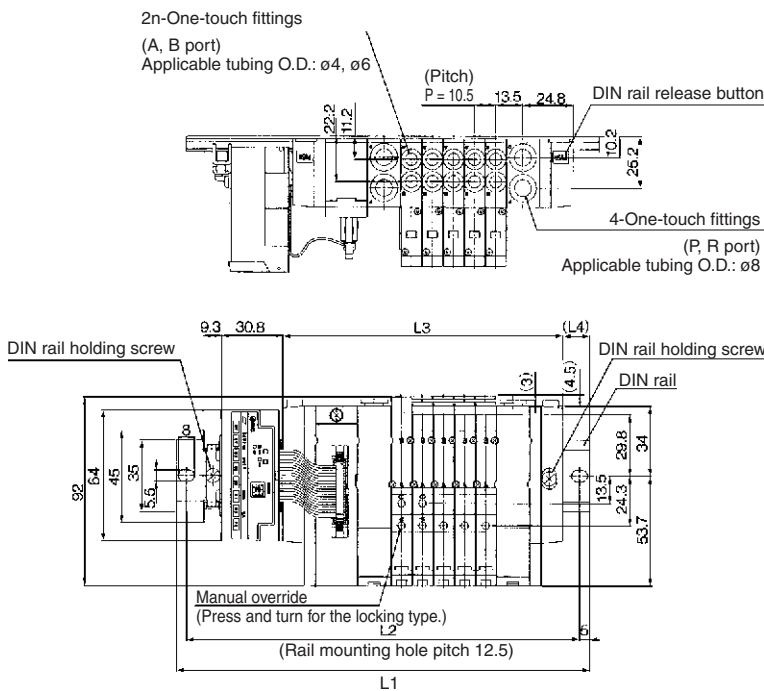


Stations n	2 stations	3	4	5	6	7	8	9	10 stations
L1	160.5	173	185.5	198	198	210.5	223	235.5	248
L2	150	162.5	175	187.5	187.5	200	212.5	225	237.5
L3	91.5	102	112.5	123	133.5	144	154.5	165	175.5
L4	14	15	16	17	12	13	14	15	16



Note) Width of SI unit applicable to "E": Matsushita Electric Works, Ltd. and "G": Rockwell Automation, Inc. widens to [24.3 mm]. For further information, please consult with SMC.

SS5X3-45S1 □ U- Stations B-^{C4}/_{C6}



Stations n	2 stations	3	4	5	6	7	8	9	10 stations
L1	173	185.5	198	210.5	223	235.5	248	260.5	
L2	162.5	175	187.5	200	212.5	225	237.5	250	
L3	108	118.5	129	139.5	150	160.5	171	181.5	192
L4	12	13	14	15	16	17	12	13	14

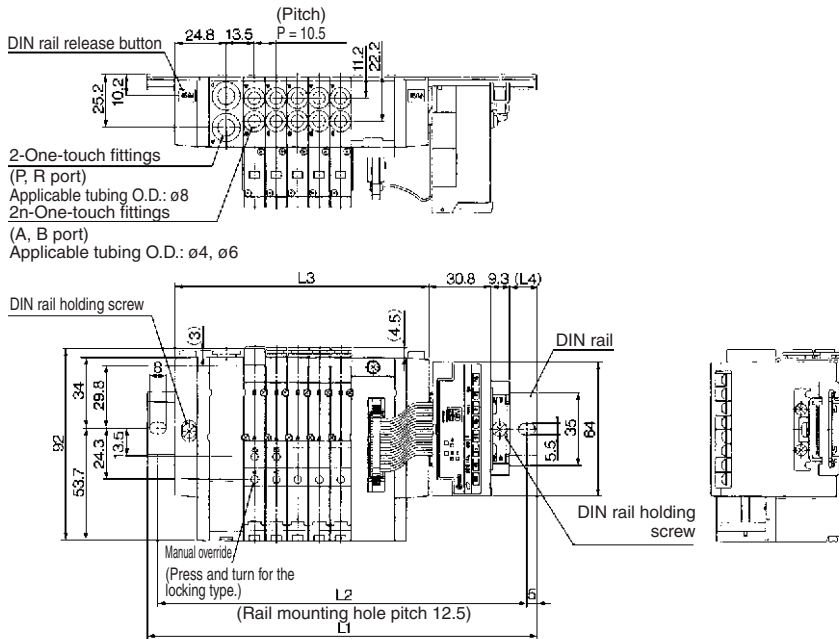
Stations n	11 stations	12	13	14	15	16 stations
L1	273	285.5	298	298	310.5	323
L2	262.5	275	287.5	287.5	300	312.5
L3	202.5	213	223.5	234	244.5	255
L4	15	16	17	11.5	12.5	13.5



Note) Width of SI unit applicable to "E": Matsushita Electric Works, Ltd. and "G": Rockwell Automation, Inc. widens to [24.3 mm]. For further information, please consult with SMC.



SS5X3-45S1 □ D- Stations U-^{C4}_{C6}



Note) The L1 to L4 dimensions of SS5X3-45S1 □ D- [Stations] D-□ are identical to those of SS5X3-45S1 □ D- [Stations] U-□.

Courtesy of Steven Engineering, Inc.-230 Ryan Way, South San Francisco, CA 94080-6370-Main Office: (650) 588-9200-Outside Local Area: (800) 258-9200-www.stevenengineering.com

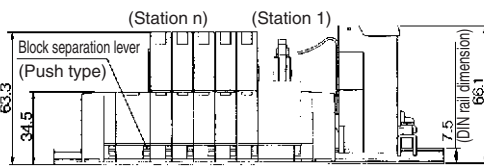
SV

SZ

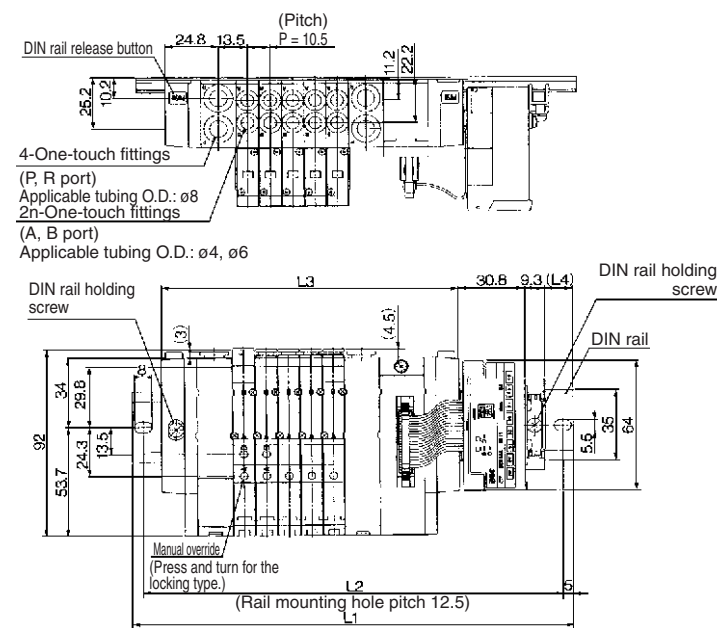
SY

SYJ

SX



SS5X3-45S1 □ D- Stations B-^{C4}_{C6}



Stations n	2 stations	3	4	5	6	7	8	9	10 stations
L1	160.5	173	185.5	198	198	210.5	223	235.5	248
L2	150	162.5	175	187.5	187.5	200	212.5	225	237.5
L3	91.5	102	112.5	123	133.5	144	154.5	165	175.5
L4	14	15	16	17	12	13	14	15	16



Note) Width of SI unit applicable to "E": Matsushita Electric Works, Ltd. and "G": Rockwell Automation, Inc. widens to 24.3 mm. For further information, please consult with SMC.

Stations n	2 stations	3	4	5	6	7	8	9	10 stations
L1	173	185.5	198	210.5	223	235.5	235.5	248	260.5
L2	162.5	175	187.5	200	212.5	225	225	237.5	250
L3	108	118.5	129	139.5	150	160.5	171	181.5	192
L4	12	13	14	15	16	17	12	13	14

Stations n	11 stations	12	13	14	15	16 stations
L1	273	285.5	298	298	310.5	323
L2	262.5	275	287.5	287.5	300	312.5
L3	202.5	213	223.5	234	244.5	255
L4	15	16	17	11.5	12.5	13.5

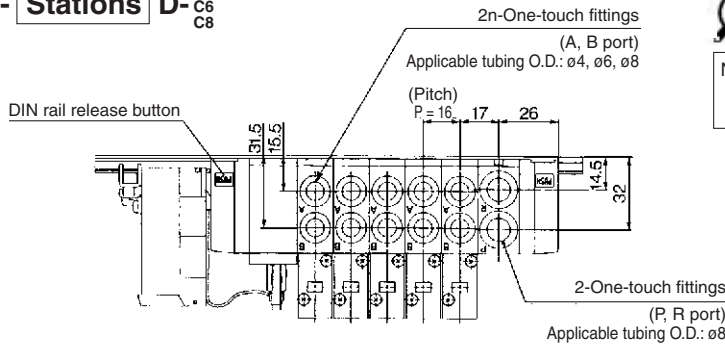


Note) Width of SI unit applicable to "E": Matsushita Electric Works, Ltd. and "G": Rockwell Automation, Inc. widens to 24.3 mm. For further information, please consult with SMC.

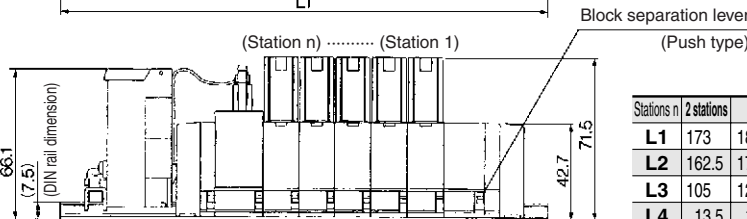
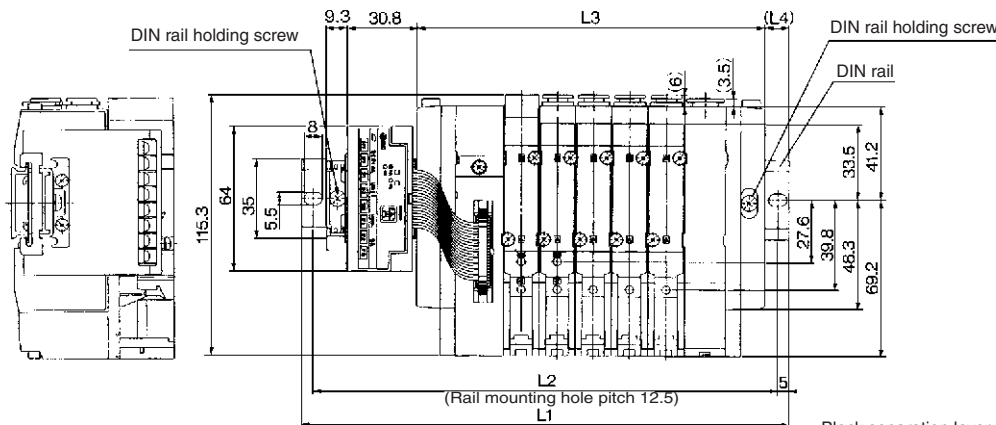


SX5000: Serial Transmission Unit/Plug-in

SS5X5-45S1□U- Stations D-^{C4}_{C6}_{C8}



Note) The L1 to L4 dimensions of SS5X5-45S1□U- Stations]U-□ are identical to those of SS5X5-45S1□U- Stations]D-□.

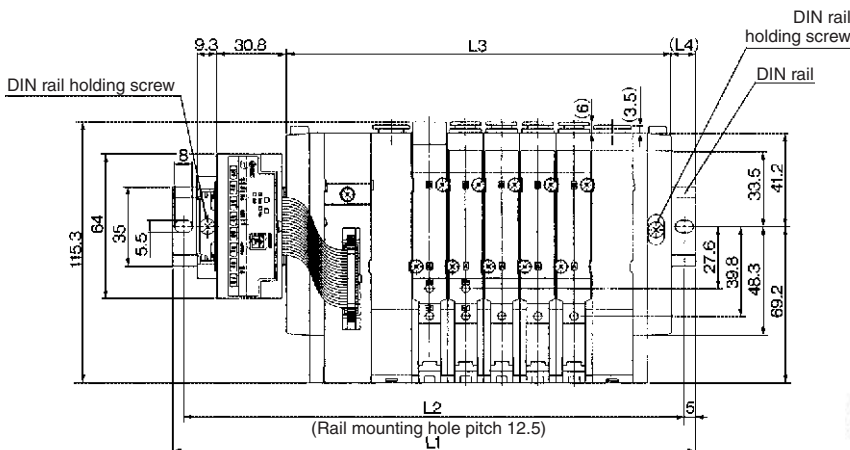
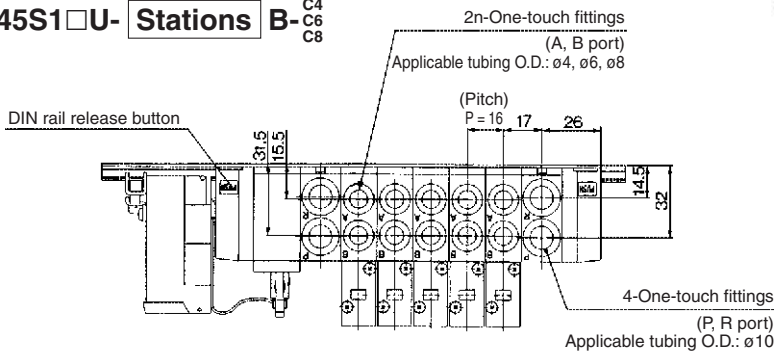


Stations n	2 stations	3	4	5	6	7	8	9	10 stations
L1	173	185.5	210.5	223	235.5	260.5	273	285.5	298
L2	162.5	175	200	212.5	225	250	262.5	275	287.5
L3	105	121	137	153	169	185	201	217	233
L4	13.5	12	16.5	14.5	13	17.5	15.5	14	12



Note) Width of SI unit applicable to "E": Matsushita Electric Works, Ltd. and "G": Rockwell Automation, Inc. widens to [24.3 mm]. For further information, please consult with SMC.

SS5X5-45S1□U- Stations B-^{C4}_{C6}_{C8}



Stations n	2 stations	3	4	5	6	7	8	9	10 stations
L1	198	210.5	223	235.5	260.5	273	285.5	310.5	323
L2	187.5	200	212.5	225	250	262.5	275	300	312.5
L3	123	139	155	171	187	203	219	235	251
L4	17	15.5	13.5	12	16.5	14.5	13	17.5	15.5

Stations n	11 stations	12	13	14	15	16 stations
L1	335.5	348	373	385.5	398	410.5
L2	325	337.5	362.5	375	387.5	400
L3	267	283	299	315	331	347
L4	14	12	16.5	15	13	11.5



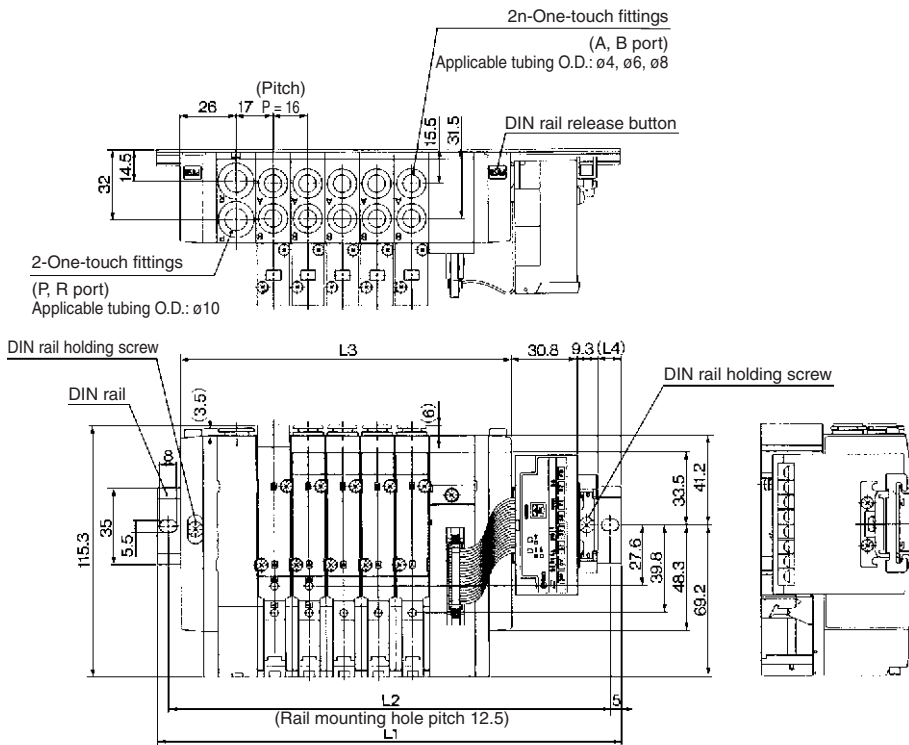
Note) Width of SI unit applicable to "E": Matsushita Electric Works, Ltd. and "G": Rockwell Automation, Inc. widens to [24.3 mm]. For further information, please consult with SMC.



SS5X5-45S1 □ D- Stations U- C4
C6
C8

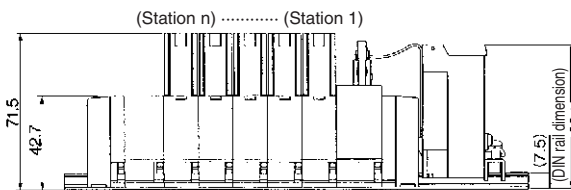


Note) The L1 to L4 dimensions of SS5X5-45S1 □ D- Stations □ D- are identical to those of SS5X-45S1 □ D- Stations □ U-.



- SV
- SZ
- SY
- SYJ
- SX

Courtesy of Steven Engineering, Inc.-230 Ryan Way, South San Francisco, CA 94080-6370-Main Office: (650) 588-9200-Outside Local Area: (800) 258-9200-www.stevenengineering.com

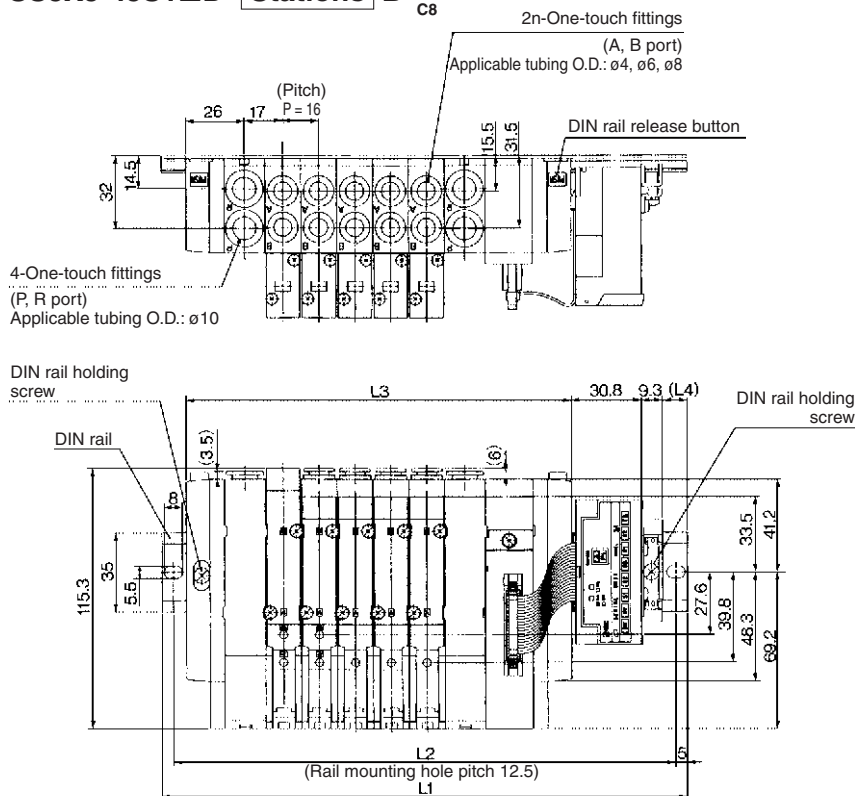


Stations n	2 stations	3	4	5	6	7	8	9	10 stations
L1	173	185.5	210.5	223	235.5	260.5	273	285.5	298
L2	162.5	175	200	212.5	225	250	262.5	275	287.5
L3	105	121	137	153	169	185	201	217	233
L4	13.5	12	16.5	14.5	13	17.5	15.5	14	12



Note) Width of SI unit applicable to "E": Matsushita Electric Works, Ltd. and "G": Rockwell Automation, Inc. widens to [24.3 mm]. For further information, please consult with SMC.

SS5X5-45S1 □ D- Stations B- C4
C6
C8



Stations n	2 stations	3	4	5	6	7	8	9	10 stations
L1	198	210.5	223	235.5	260.5	273	285.5	310.5	323
L2	187.5	200	212.5	225	250	262.5	275	300	312.5
L3	123	139	155	171	187	203	219	235	251
L4	17	15.5	13.5	12	16.5	14.5	13	17.5	15.5

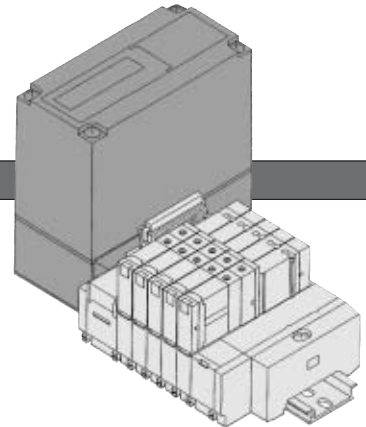
Stations n	11 stations	12	13	14	15	16 stations
L1	335.5	348	373	385.5	398	410.5
L2	325	337.5	362.5	375	387.5	400
L3	267	283	299	315	331	347
L4	14	12	16.5	15	13	11.5



Note) Width of SI unit applicable to "E": Matsushita Electric Works, Ltd. and "G": Rockwell Automation, Inc. widens to [24.3 mm]. For further information, please consult with SMC.

Type 45S2

Made to Order Specifications: Series SX3000/5000 Serial Transmission Type With SMC's IN313



Serial Transmission Manifold Equipped with IN313

How to Order Manifold

Type 45S2 (Serial type with IN313)

SS5X **3** - 45S2 **U** - **06** **D** - **C4** - []

Series

3	SX3000
5	SX5000

SI unit mounting position

Symbol	Mounting position
U	U side
D	D side

Valve stations

Symbol	Stations	Note
02	2 stations	Double wiring specifications
⋮	⋮	
08	8 stations	
09	9 stations	Applicable up to 16 solenoids. Use the manifold specification sheet to specify the wiring specifications.
⋮	⋮	
16	16 stations	

- This also includes the number of blanking plate assemblies.
- When special wiring is required on manifold with 2 to 8 stations, please use the manifold specification sheet.

SUP/EXH block assembly mounting position

Symbol	Mounting position	Stations
U	U side	2 to 10 stations
D	D side	2 to 10 stations
B	Both sides	2 to 16 stations
M	Special specifications	

* For special specifications, indicate separately by the manifold specification sheet.

A, B port size (Metric size)

Symbol	Port size	Applicable series
C4	One-touch fitting for ø4	SX3000
C6	One-touch fitting for ø6	
M	Mixed	
C4	One-touch fitting for ø4	SX5000
C6	One-touch fitting for ø6	
C8	One-touch fitting for ø8	
M	Mixed	

(Inch size)

Symbol	Port size	Applicable series
N3	One-touch fitting for ø5/32"	SX3000
N7	One-touch fitting for ø1/4"	
M	Mixed	
N3	One-touch fitting for ø5/32"	SX5000
N7	One-touch fitting for ø1/4"	
N9	One-touch fitting for ø5/16"	
M	Mixed	

* In the case of mixed specifications (M), indicate separately on the manifold specification sheet.

Option

When a longer DIN rail is desired than the specified stations, specify the station number to be required. (20 stations at maximum)

How to Order Applicable SI Unit

IN313 - **MB1**

Applicable makers

MB1	For Mitsubishi Electric Corporation
TA1	For OMRON Corporation
FU1	For Fuji Electric Co., Ltd.
SH1	For SHARP Corporation
TY1	For Toyoda Machine Works, Ltd.
TY2	
PA1	For Matsushita Electric Works, Ltd.
HT1	For Hitachi, Ltd.
AB1	For Rockwell Automation, Inc. (Former Allen Bradley)
TS1	For TOSHIBA Corporation

How to Order Valves

SX **3** **2** 40 - **5** LOZ []

Series

3	SX3000
5	SX5000

Type of actuation

1	2 position single
2	2 position double
3	3 position closed center
4	3 position exhaust center
5	3 position pressure center

Rated voltage

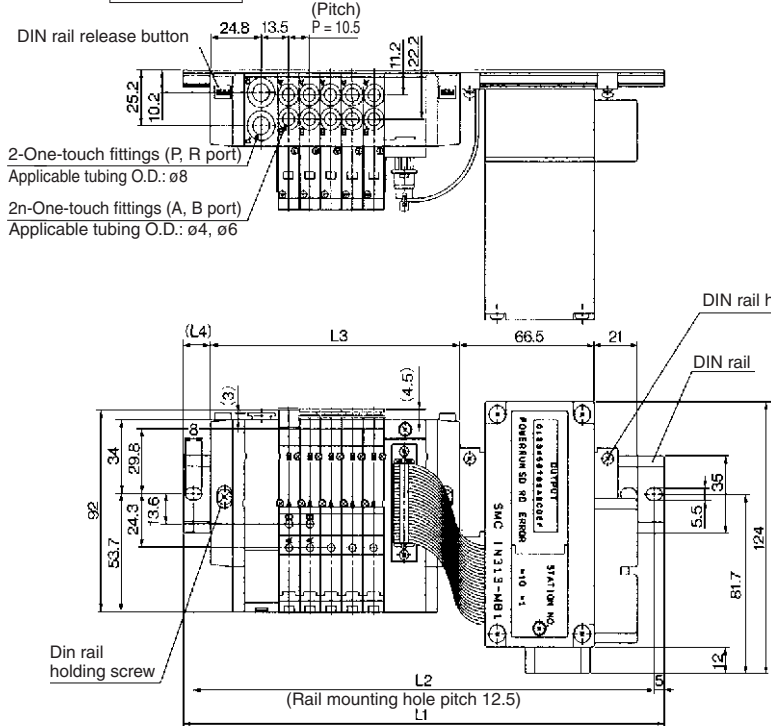
5	24 VDC
---	--------

Manual override

Nil	Non-locking push type
D	Push-turn locking slotted type

SX3000: Serial Transmission Unit/Plug-in

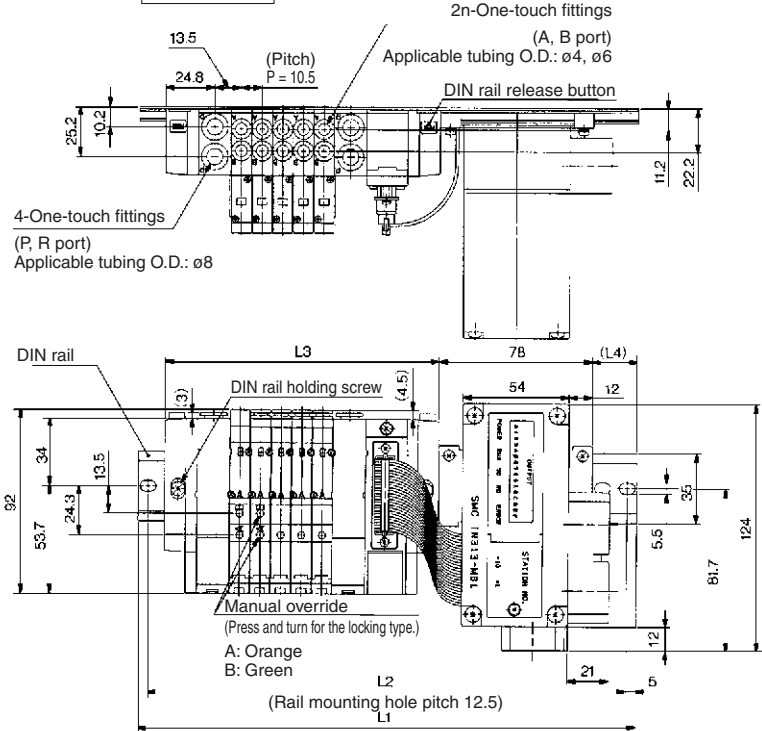
SS5X3-45S2D- Stations U-C₆



Note) The L1 to L4 dimensions of SS5X3-45S2D- [Stations] D-□, SS5X3-45S2U- [Stations] D-□, SS5X3-45S2U- [Stations] U-□ are identical to those of SS5X3-45S2D- [Stations] U-□.

Stations n	2 stations	3	4	5	6	7	8	9	10 stations
L1	198	210.5	223	235.5	235.5	248	260.5	273	285.5
L2	187.5	200	212.5	225	225	237.5	250	262.5	275
L3	91.5	102	112.5	123	133.5	144	154.5	165	175.5
L4	14	15	16	17	12	13	14	15	16

SS5X3-45S2D- Stations B-C₆



Note) The L1 to L4 dimensions of SS5X3-45S2U- [Stations] B-□ are identical to those of SS5X3-45S2D- [Stations] B-□.

Stations n	2 stations	3	4	5	6	7	8	9 stations
L1	210.5	223	235.5	248	260.5	273	273	285.5
L2	200	212.5	225	237.5	250	262.5	262.5	275
L3	108	118.5	129	139.5	150	160.5	171	181.5
L4	12	13	14	15	16	17	12	13

Stations n	10 stations	11	12	13	14	15	16 stations
L1	298	310.5	323	335.5	335.5	348	360.5
L2	287.5	300	312.5	325	325	337.5	350
L3	192	202.5	213	223.5	234	244.5	255
L4	14	15	16	17	11.5	12.5	13.5

- SV
- SZ
- SY
- SYJ
- SX

Courtesy of Steven Engineering, Inc.-230 Ryan Way, South San Francisco, CA 94080-6370-Main Office: (650) 588-9200-Outside Local Area: (800) 258-9200-www.stevenengineering.com

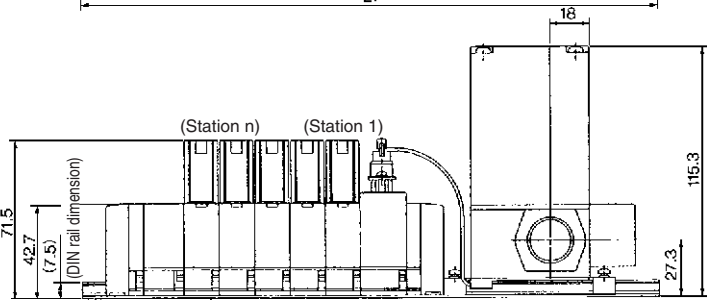
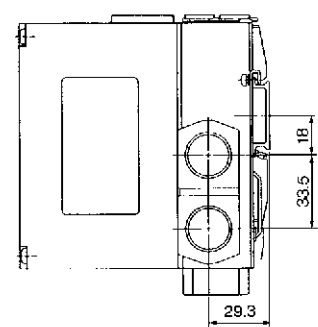
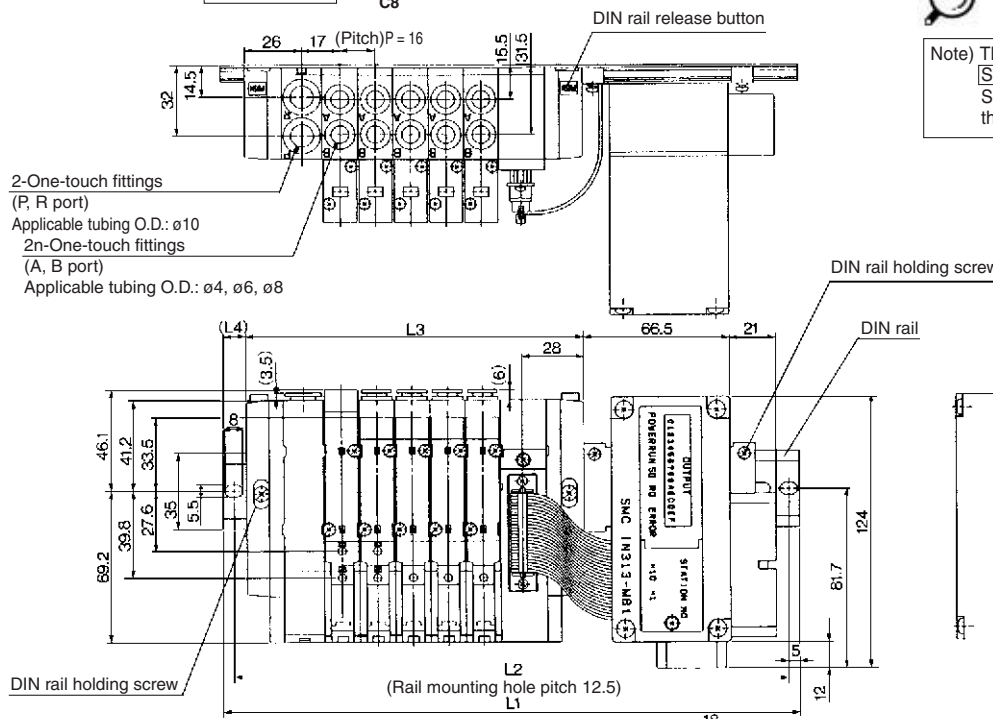


SX5000: Serial Transmission Unit/Plug-in

SS5X5-45S2D- Stations U-^{C4}_{C6}_{C8}



Note) The L1 to L4 dimensions of SS5X5-45S2D- [Stations] D-□, SS5X5-45S2U- [Stations] D-□, SS5X5-45S2U- [Stations] U-□ are identical to those of SS5X5-45S2D- [Stations] U-□.

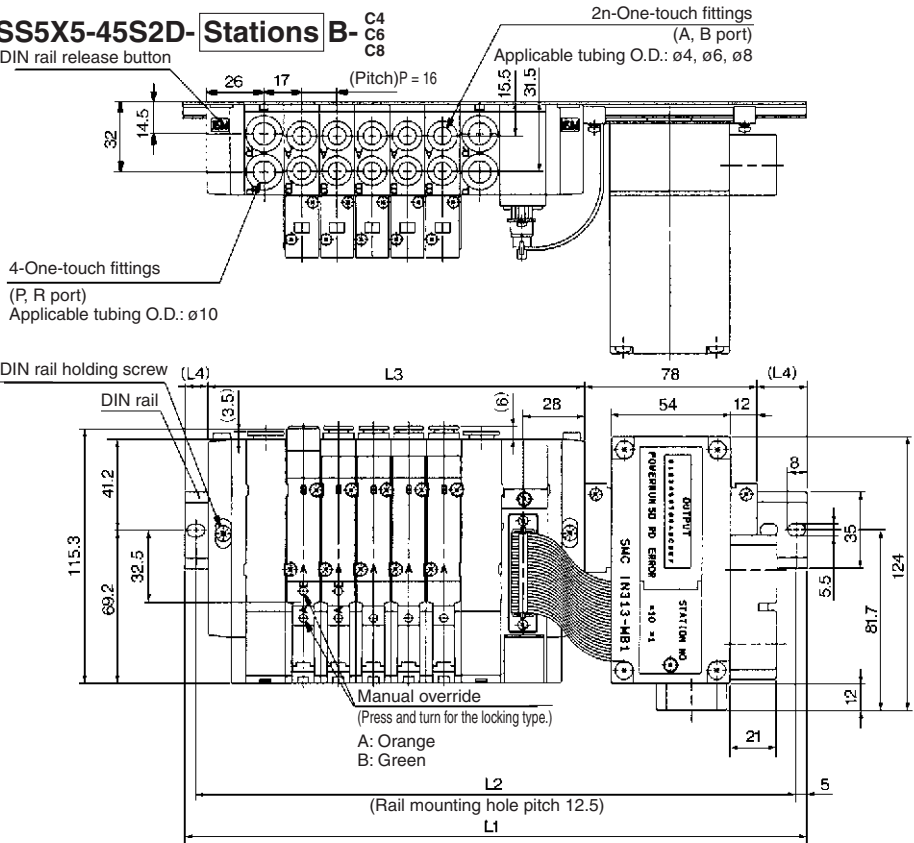


Stations n	2 stations	3	4	5	6	7	8	9	10 stations
L1	210.5	223	248	260.5	273	298	310.5	323	335.5
L2	200	212.5	237.5	250	262.5	287.5	300	312.5	325
L3	105	121	137	153	169	185	201	217	238
L4	13.5	12	16.5	14.5	13	17.5	15.5	14	12

SS5X5-45S2D- Stations B-^{C4}_{C6}_{C8}



Note) The L1 to L4 dimensions of SS5X5-45S2U- [Stations] B-□ are identical to those of SS5X5-45S2D- [Stations] B-□.

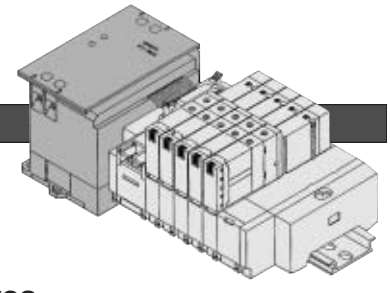


Stations n	2 stations	3	4	5	6	7	8	9 stations
L1	235.5	248	260.5	273	298	310.5	323	348
L2	225	237.5	250	262.5	287.5	300	312.5	337.5
L3	123	139	155	171	187	203	219	235
L4	17	15.5	13.5	12	16.5	14.5	13	17.5

Stations n	10 stations	11	12	13	14	15	16 stations
L1	360.5	373	385.5	410.5	423	435.5	460.5
L2	350	362.5	375	400	412.5	425	450
L3	251	267	283	299	315	331	347
L4	15.5	14	12	16.5	15	13	17.5

Type **45S3**

Made to Order Specifications: Series SX3000/5000 Serial Transmission Type With OMRON Corp's G71-OD16



Serial Transmission Manifold Equipped with OMRON Corp's Transmission Unit G71-OD16

How to Order Manifold

Type 45S3 (Serial type with transmission unit)



Series

3	SX3000
5	SX5000

Specifications

Symbol	Specifications
Nil	With transmission unit
O ^{Note}	Without transmission unit

Note) Even though when it is not equipped with transmission unit, DIN rail length is long enough for future expectancy of mounting transmission unit. When a shorter rail is required (same as type 45□), suffix "O" in the optional blank at the end of part number.

Transmission unit mounting position

Symbol	Mounting position
U	U side
D	D side

Valve stations

Symbol	Stations	Note
02	2 stations	Double wiring specifications
⋮	⋮	
08	8 stations	Applicable up to 16 solenoids. Use the manifold specification sheet to specify the wiring specifications.
09	9 stations	
⋮	⋮	
16	16 stations	

- This also includes the number of blanking plate assemblies.
- When special wiring is required on manifold with 2 to 8 stations, please use the manifold specification sheet.

SUP/EXH block assembly mounting position

Symbol	Mounting position	Stations
U	U side	2 to 10 stations
D	D side	2 to 10 stations
B	Both sides	2 to 16 stations
M	Special specifications	

* For special specifications, indicate separately by the manifold specification sheet.

A, B port size (Metric size)

Symbol	Port size	Applicable series
C4	One-touch fitting for ø4	SX3000
C6	One-touch fitting for ø6	
M	Mixed	SX5000
C4	One-touch fitting for ø4	
C6	One-touch fitting for ø6	
C8	One-touch fitting for ø8	
M	Mixed	

(Inch size)

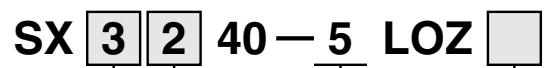
Symbol	Port size	Applicable series
N3	One-touch fitting for ø5/32"	SX3000
N7	One-touch fitting for ø1/4"	
M	Mixed	
N3	One-touch fitting for ø5/32"	SX5000
N7	One-touch fitting for ø1/4"	
N9	One-touch fitting for ø5/16"	
M	Mixed	

* In the case of mixed specifications (M), indicate separately on the manifold specification sheet.

Option

When a longer DIN rail is desired than the specified stations, specify the station number to be required. (20 stations at maximum)

How to Order Valves



Series

3	SX3000
5	SX5000

Type of actuation

1	2 position single
2	2 position double
3	3 position closed center
4	3 position exhaust center
5	3 position pressure center

Rated voltage

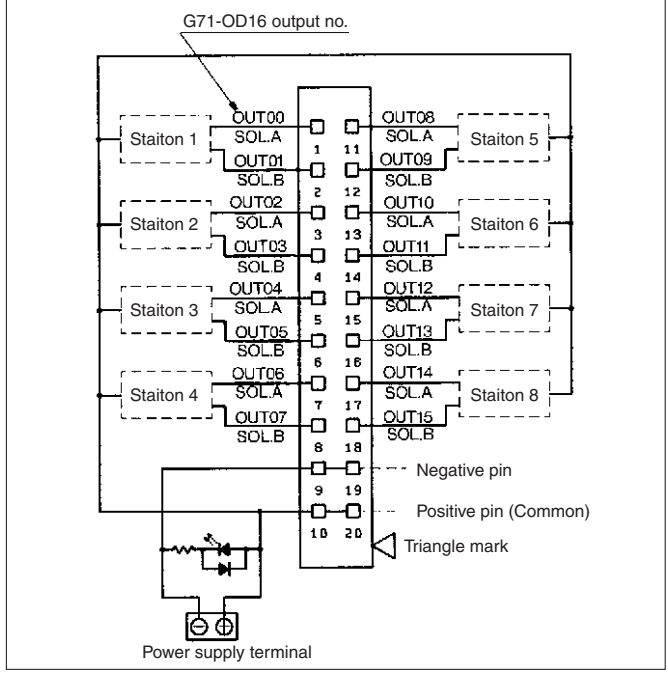
5	24 VDC
---	--------

Manual override

Nil	Non-locking push type
D	Push-turn locking slotted type

Internal Wiring of Manifold

Serial type 45S3



- For specifications on OMRON Corp's transmitter terminals, refer to the instruction manual or the catalog of transmitter terminals, etc.
- When using a single solenoid, connect wire to A side.
- The above diagram is the double wiring specifications for up to 8 stations. When the wiring specifications are specified on the manifold specification sheet, the valve assignment for the number of transmission unit will differ from the above diagram. For more information, please contact SMC.
- The maximum number of stations is 16 in terms of manifold bases, as well as solenoids. (Please consult with SMC for more stations.)

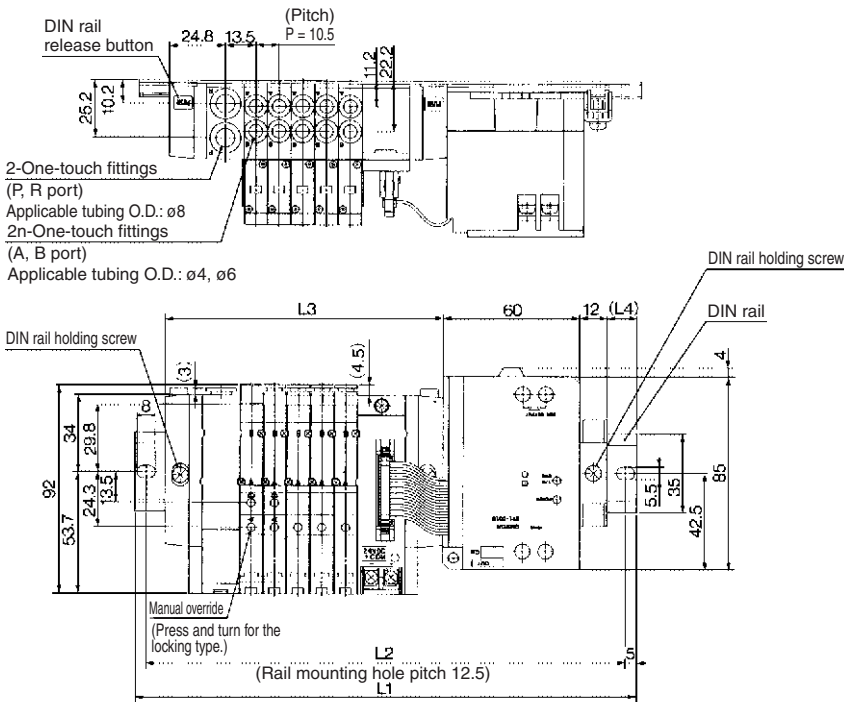
Caution

- The wiring specifications for SS5X³-45S30 are different from those for SS5X³-45PG.

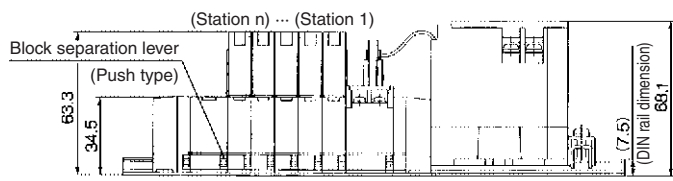
- SV
- SZ
- SY
- SYJ
- SX

SX3000: Serial Transmission Unit/Plug-in

SS5X3-45S3D- Stations U-C₆

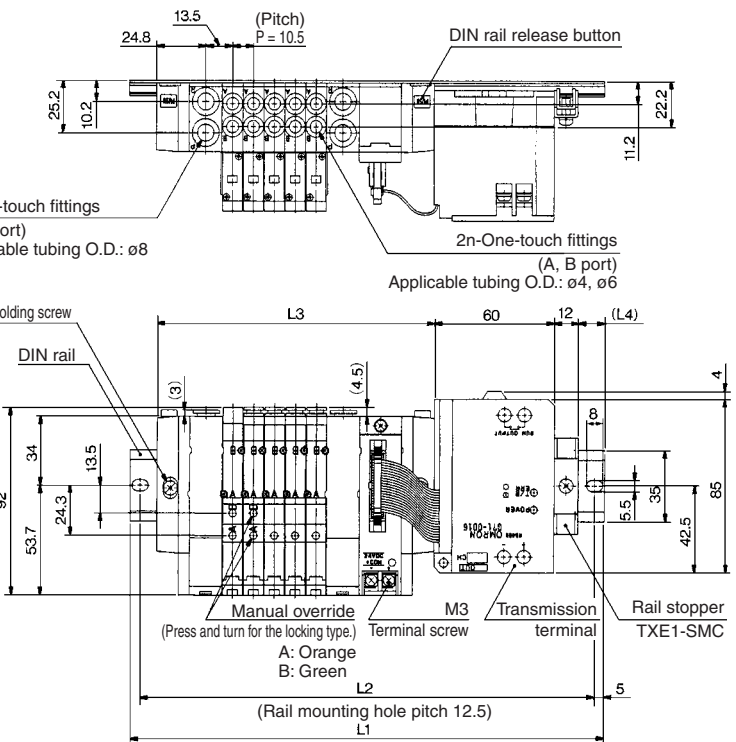


Note) The L1 to L4 dimensions of SS5X3-45S3D- Stations D-□, SS5X3-45S3U- Stations D-□, SS5X3-45S3U- Stations U-□ are identical to those of SS5X3-45S3D- Stations U-□.



	(mm)									
Stations n	2 stations	3	4	5	6	7	8	9	10 stations	
L1	198	198	210.5	223	235.5	248	260.5	260.5	273	
L2	187.5	187.5	200	212.5	225	237.5	250	250	262.5	
L3	91.5	102	112.5	123	133.5	144	154.5	165	175.5	
L4	17	12	13	14	15	16	17	11.5	12.5	

SS5X3-45S3D- Stations B-C₆



Note) The L1 to L4 dimensions of SS5X3-45S3U- Stations B-□ are identical to those of SS5X3-45S3D- Stations B-□.

	(mm)									
Stations n	2 stations	3	4	5	6	7	8	9 stations		
L1	210.5	223	235.5	235.5	248	260.5	273	285.5		
L2	200	212.5	225	225	237.5	250	262.5	275		
L3	108	118.5	129	139.5	150	160.5	171	181.5		
L4	15	16	17	12	13	14	15	16		

Stations n	10 stations	11	12	13	14	15	16 stations
L1	298	298	310.5	323	335.5	348	360.5
L2	287.5	287.5	300	312.5	325	337.5	350
L3	192	202.5	213	223.5	234	244.5	255
L4	17	11.5	12.5	13.5	14.5	15.5	16.5

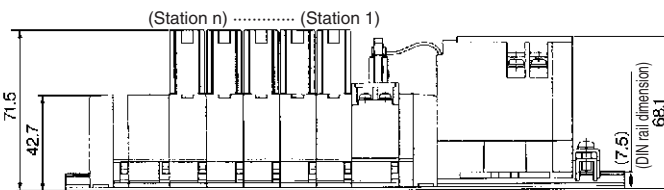
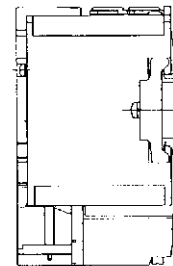
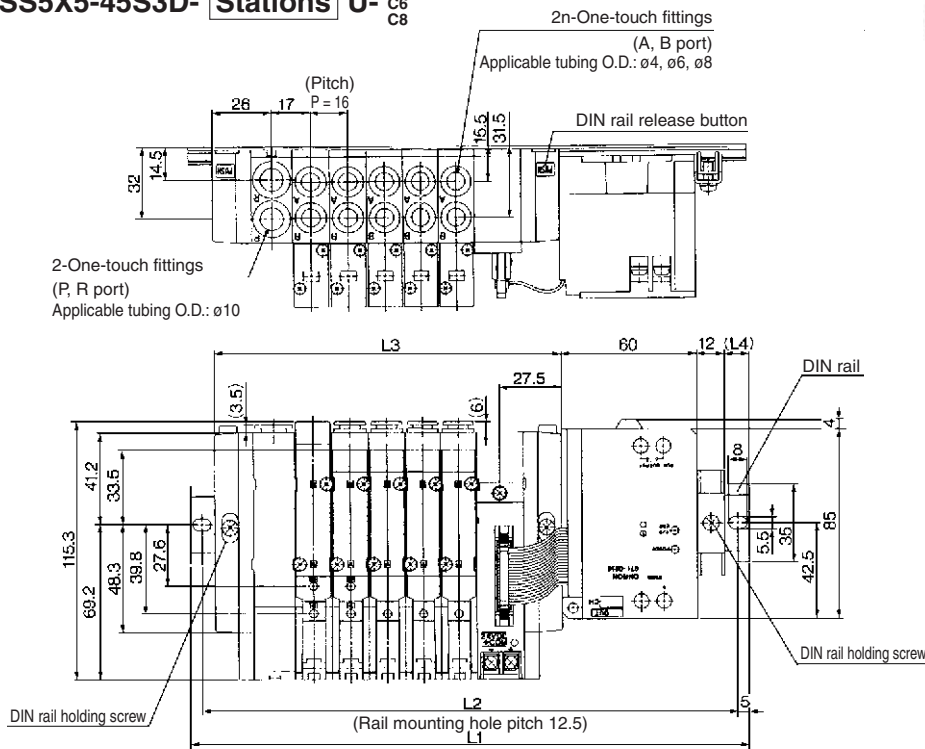
Courtesy of Steven Engineering, Inc.-230 Ryan Way, South San Francisco, CA 94080-6370-Main Office: (650) 588-9200-Outside Local Area: (800) 258-9200-www.stevenengineering.com

SX5000: Serial Transmission Unit/Plug-in

SS5X5-45S3D- Stations U- C4
C6
C8



Note) The L1 to L4 dimensions of SS5X3-45S3D- [Stations]D-□, SS5X5-45S3U- [Stations]D-□, SS5X3-45S3U- [Stations]U-□ are identical to those of SS5X5-45S3D- [Stations]U-□.

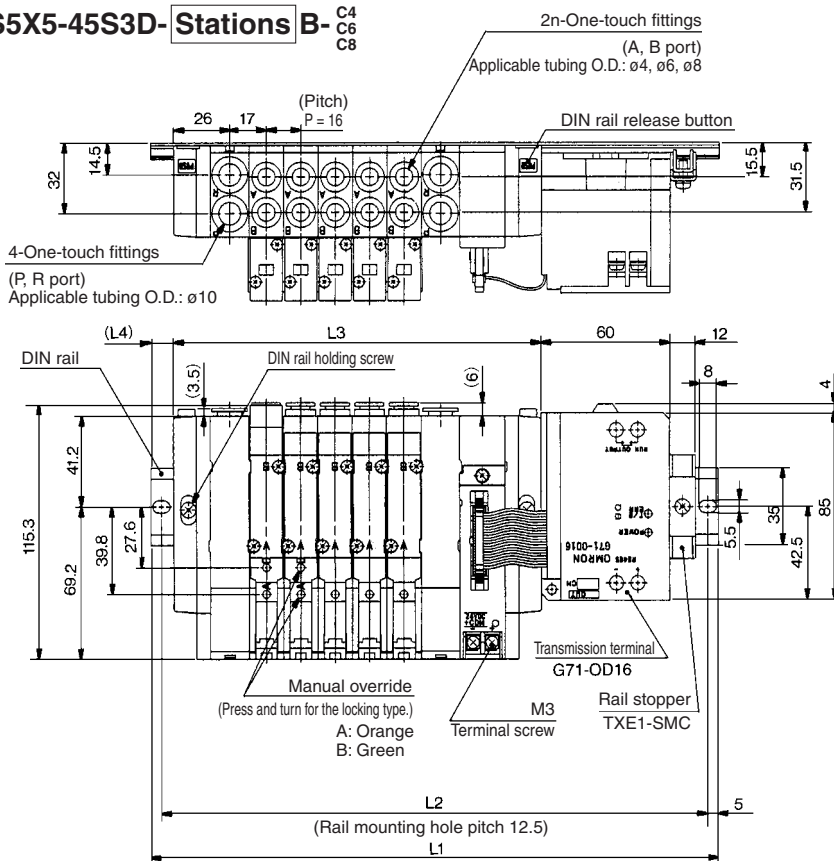


Stations n	2 stations	3	4	5	6	7	8	9	10 stations
L1	210.5	223	235.5	260.5	273	285.5	298	323	335.5
L2	200	212.5	225	250	262.5	275	287.5	312.5	325
L3	105	121	137	153	169	185	201	217	238
L4	16.5	15	13	17.5	16	14	12.5	17	15

SS5X5-45S3D- Stations B- C4
C6
C8



Note) The L1 to L4 dimensions of SS5X5-45S3U- [Stations]B-□ are identical to those of SS5X5-45S3D- [Stations]B-□.



Stations n	2 stations	3	4	5	6	7	8	9 stations
L1	223	235.5	260.5	273	285.5	310.5	323	335.5
L2	212.5	225	250	262.5	275	300	312.5	325
L3	123	139	155	171	187	203	219	235
L4	14	12	16.5	15	13	17.5	16	14

Stations n	10 stations	11	12	13	14	15	16 stations
L1	348	373	385.5	398	410.5	435.5	448
L2	337.5	362.5	375	387.5	400	425	437.5
L3	251	267	283	299	315	331	347
L4	12.5	17	15	13.5	11.5	16	14.5

- SV
- SZ
- SY
- SYJ
- SX

Type 45
Type 45

Made to Order Specifications: Series SX3000/5000

External Pilot/Built-in Silencer

External pilot manifold bases for low-pressure/vacuum use are added to split style/DIN rail manifolds. The built-in silencer has produced a clear-cut appearance.

Individual Wiring

How to Order Manifold

Type 45

SS5X^{3/5} - 45 - 05 U R - C6

Series

3	SX3000
5	SX5000

Valve stations

Symbol	Stations
02	2 stations
⋮	⋮
20	20 stations

SUP/EXH block assembly mounting position

Symbol	Mounting position	Stations
U	U side	2 to 10 stations
D	D side	
B	Both sides	2 to 20 stations
M	Special specifications	

Option

When a longer DIN rail is desired than the specified stations, specify the station number to be required. (20 stations maximum)

SUP/EXH block assembly specifications

Symbol	Specifications
R	External pilot specifications
S	Internal pilot/Built-in silencer
RS	External pilot/Built-in silencer

This also includes the number of blanking plate assemblies.

** For special specifications, indicate separately by the manifold specification sheet.*

A, B port size (Metric size)

Symbol	Port size	Applicable series
C4	One-touch fitting for ø4	SX3000
C6	One-touch fitting for ø6	
M	Mixed	
C4	One-touch fitting for ø4	SX5000
C6	One-touch fitting for ø6	
C8	One-touch fitting for ø8	
M	Mixed	

(Inch size)

Symbol	Port size	Applicable series
N3	One-touch fitting for ø5/32"	SX3000
N7	One-touch fitting for ø1/4"	
M	Mixed	
N3	One-touch fitting for ø5/32"	SX5000
N7	One-touch fitting for ø1/4"	
N9	One-touch fitting for ø5/16"	
M	Mixed	

* In the case of mixed specifications (M), indicate separately on the manifold specification sheet.

How to Order Valves

SX 5 2 40 [] - 5 N L [] []

Series

3	SX3000
5	SX5000

Type of actuation

1	2 position single
2	2 position double
3	3 position closed center
4	3 position exhaust center
5	3 position pressure center

Pilot type

Nil	Internal pilot
R	External pilot

Rated voltage

5	24 VDC
6	12 VDC
V	6 VDC
S	5 VDC
R	3 VDC

Manual override

Nil	Non-locking push type
D	Push-turn locking slotted type

Light/Surge voltage suppressor

Nil	Without light/surge voltage suppressor
S	With surge voltage suppressor
Z	With light/surge voltage suppressor

Electrical entry

	Grommet	L plug connector	M plug connector
G:	Lead wire length 300 mm lead	L: With lead wire (Length 300 mm)	M: With lead wire (Length 300 mm)
H:	Lead wire length 600 mm	LN: Without lead wire	MN: Without lead wire
		LO: Without connector	MO: Without connector

Common specifications

Nil	Positive common
N	Negative common

Note) Put nothing for single grommet style and single without indicator light and surge voltage suppressor.

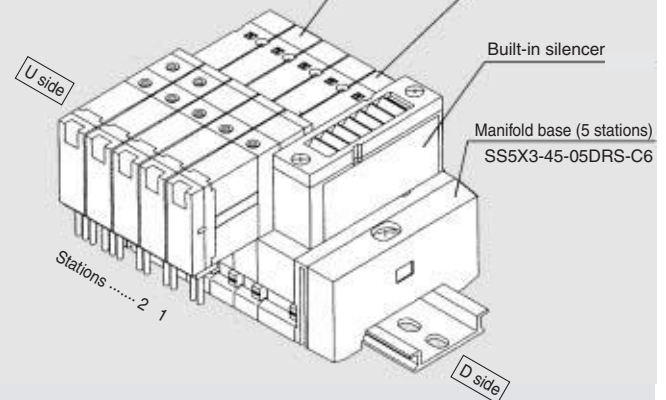
** The LN or MN option includes 2 sockets for single solenoid valves and 3 sockets for double solenoid valves.*

How to Order Valve Manifold Assembly

Ordering example

Double solenoid (External pilot specifications)
SX3140R-5G (3 sets)

Double solenoid (External pilot specifications)
SX3140R-5G (3 sets)



SS5X3-45-05DRS-C6-1 set (External pilot specifications built-in silencer part no.)
*SX3140R-5G..... 3 sets (Single solenoid part no.)
*SX3240R-5G..... 2 sets (Double solenoid part no.)

*The asterisk denotes the symbol for assembly. Prefix it to the part nos. of the solenoid valve, etc.

They will be assembled in the order listed starting at the first station at the D side even if SUP/EXH block assembly is located at either end.

In ordering, specify the part nos. in the order from the 1st. station on D side. Besides, when the arrangement will be complicated, fill out the Manifold Specification Sheet to instruct us.

For manifolds with SUP/EXH block at each end of the manifold, external pilot ports and silencers will be also located at each end of the manifold.

To order the SUP/EXH block assembly (SX3/5000-51-1A) mounted at a location order than the ends of manifold, refer to the manifold specification sheet along with assembly part no.

Plug-in Type

How to Order Manifold

Type 45



Series

3	SX3000
5	SX5000

Common specifications

Nil	Positive common
N	Negative common

No symbol is used for T, T1, S□ types.

Connector type

Symbol	Mounting position
F	D-sub connector
P	Flat ribbon cable 26 pins
PG	Flat ribbon cable 20 pins
PH	Flat ribbon cable 10 pins
T	Terminal block 9 pins
T1	Terminal block 18 pins
G	Flat ribbon cable (PC wiring system compatible)
S□	Serial Transmission Type

For details, refer to pages 1-6-82 to 85, 112, 119, 124, and 127.

Connector mounting position

Symbol	Mounting position
U	U side
D	D side

Valve stations

Symbol	Stations	Note
02	2 stations	(Depending on the connector, the number of stations is limited. For details, refer to pages 1-6-82 to 85, 112, 119, 124, and 127.)
:	:	
20	20 stations	

This also includes the number of blanking plate assemblies.

A, B port size (Metric size)

Symbol	Port size	Applicable series
C4	One-touch fitting for ø4	SX3000
C6	One-touch fitting for ø6	
M	Mixed	SX5000
C4	One-touch fitting for ø4	
C6	One-touch fitting for ø6	
C8	One-touch fitting for ø8	
M	Mixed	

(Inch size)

Symbol	Port size	Applicable series
N3	One-touch fitting for ø5/32"	SX3000
N7	One-touch fitting for ø1/4"	
M	Mixed	SX5000
N3	One-touch fitting for ø5/32"	
N7	One-touch fitting for ø1/4"	
N9	One-touch fitting for ø5/16"	
M	Mixed	

* In the case of mixed specifications (M), indicate separately on the manifold specification sheet.

SUP/EXH block assembly mounting position

Symbol	Mounting position	Stations
U	U side	2 to 10 stations
D	D side	
B	Both sides	2 to 20 stations
M	Special specifications	

* For special specifications, indicate separately by the

SUP/EXH block assembly specifications

Symbol	Specifications
R	External pilot specifications
S	Internal pilot/Built-in silencer
RS	External pilot/Built-in silencer

Valve stations

Voltage

Nil	24 VDC
12V	12 VDC

Option

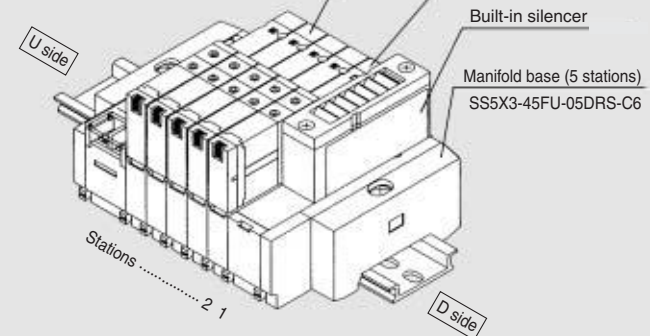
When a longer DIN rail is desired than the specified stations, specify the station number to be required. (20 stations at maximum)

How to Order Valve Manifold Assembly

Ordering example

Single solenoid (External pilot specifications)
SX3140R-5LOZ (3 sets)

Double solenoid (External pilot specifications)
SX3240R-5LOZ (1 set)



SS5X3-45FU-05DRS-C6·1 set (External pilot specifications with built-in silencer part no.)
*SX3140R-5LOZ..... 3 sets (Single solenoid part no.)
*SX3240R-5LOZ..... 2 sets (Double solenoid part no.)

* The asterisk denotes the symbol for assembly. Prefix it to the part nos. of the solenoid valve, etc.

They will be assembled in the order listed starting at the first station at the D side even if SUP/EXH block assembly is located at either end. In ordering, specify the part nos. in the order from the 1st. station on D side. Besides, when the arrangement will be complicated, fill out the Manifold Specification Sheet to instruct us.

For manifolds with SUP/EXH block at each end of the manifold, external pilot ports and silencers will be also located at each end of the manifold. To order the SUP/EXH block assembly (SX3/5000-51-2A) mounted at a location other than the ends of manifold, refer to the manifold specification sheet.

How to Order Valves



Series

3	SX3000
5	SX5000

Type of actuation

1	2 position single
2	2 position double
3	3 position closed center
4	3 position exhaust center
5	3 position pressure center

Pilot type

Nil	Internal pilot
R	External pilot

Rated voltage

5	24 VDC
6	12 VDC
V*	6 VDC
S*	5 VDC
R*	3 VDC

* mark: Type 45T and T1 only S□ type: 24 VDC only

Common specifications

Nil	Positive common
N	Negative common

* Common specifications for the valve must correspond with common specifications for the manifold.

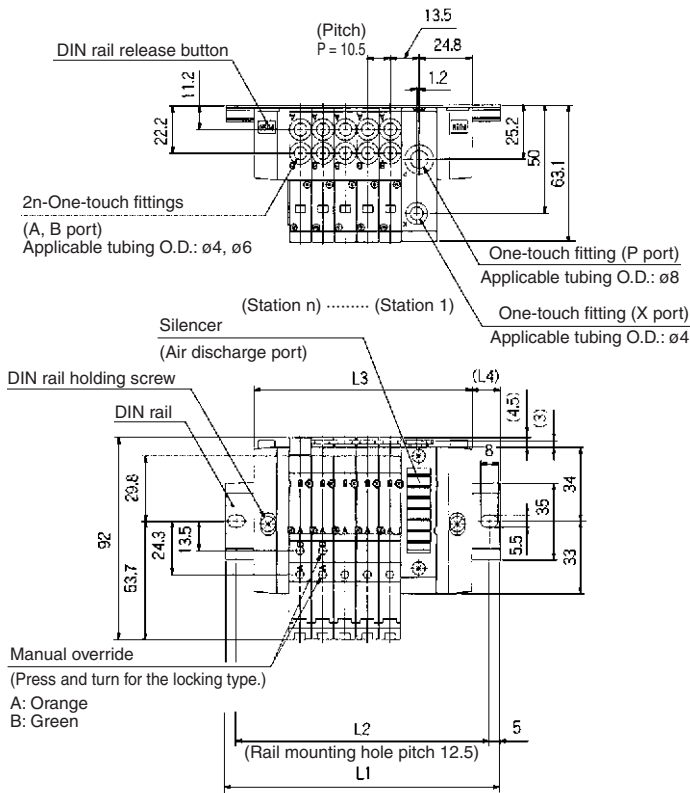
Manual override

Nil	Non-locking push type
D	Push-turn locking slotted type

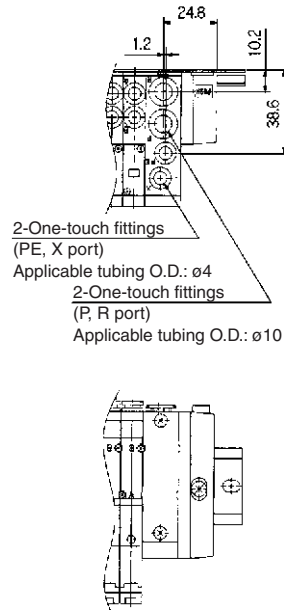
- SV
- SZ
- SY
- SYJ
- SX

External Pilot/Built-in Silencer

SX3000: SS5X3-45- Stations DRS- C4 C6

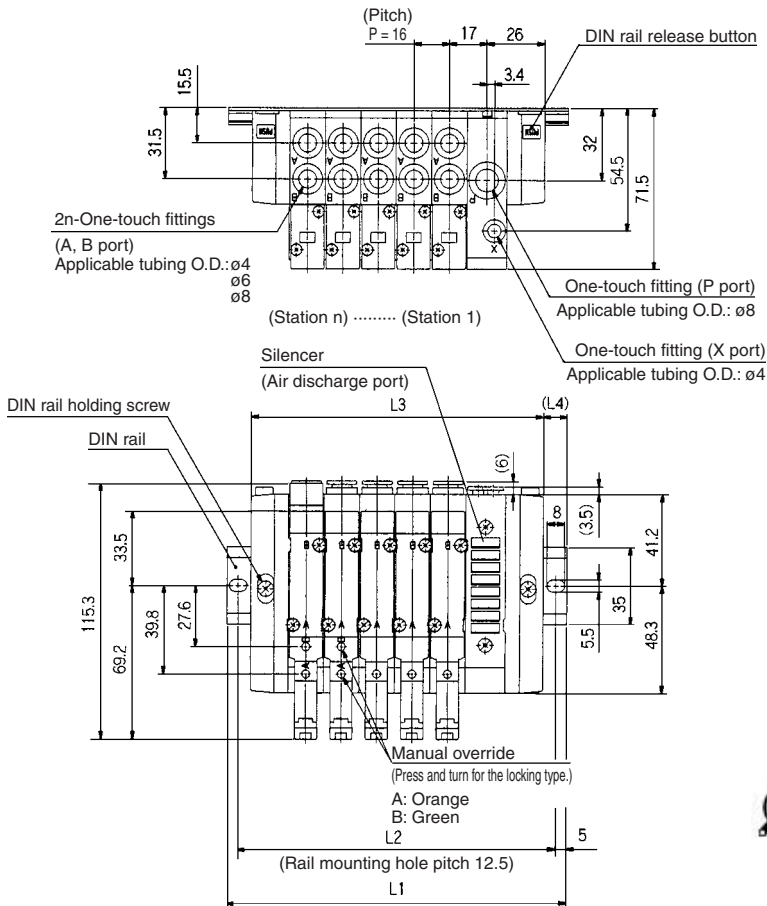


SS5X3-45- Stations DR- C4 C6

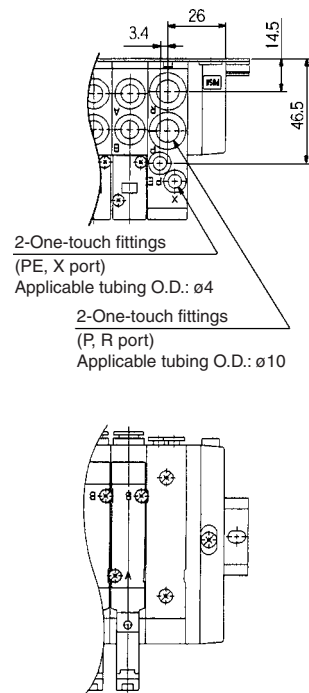


Note) The dimensions L1 to L4 are identical to SS5X3-45 - Station U C4 C6 (P. 1-6-78).

SX5000: SS5X5-45- Stations DRS- C4 C6 C8



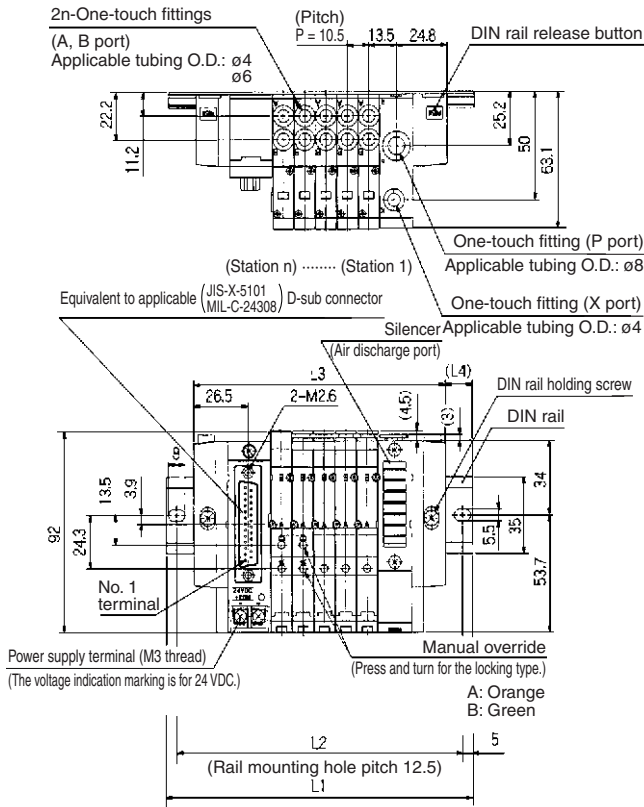
SS5X5-45- Stations DR- C4 C6 C8



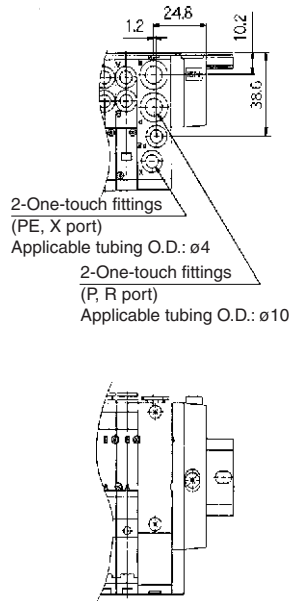
Note) The dimensions L1 to L4 are identical to SS5X5-45 - Station U C4 C6 C8 (P. 1-6-79).

External Pilot/Built-in Silencer

SX3000:SS5X3-45FU- Stations DRS- C4 C6



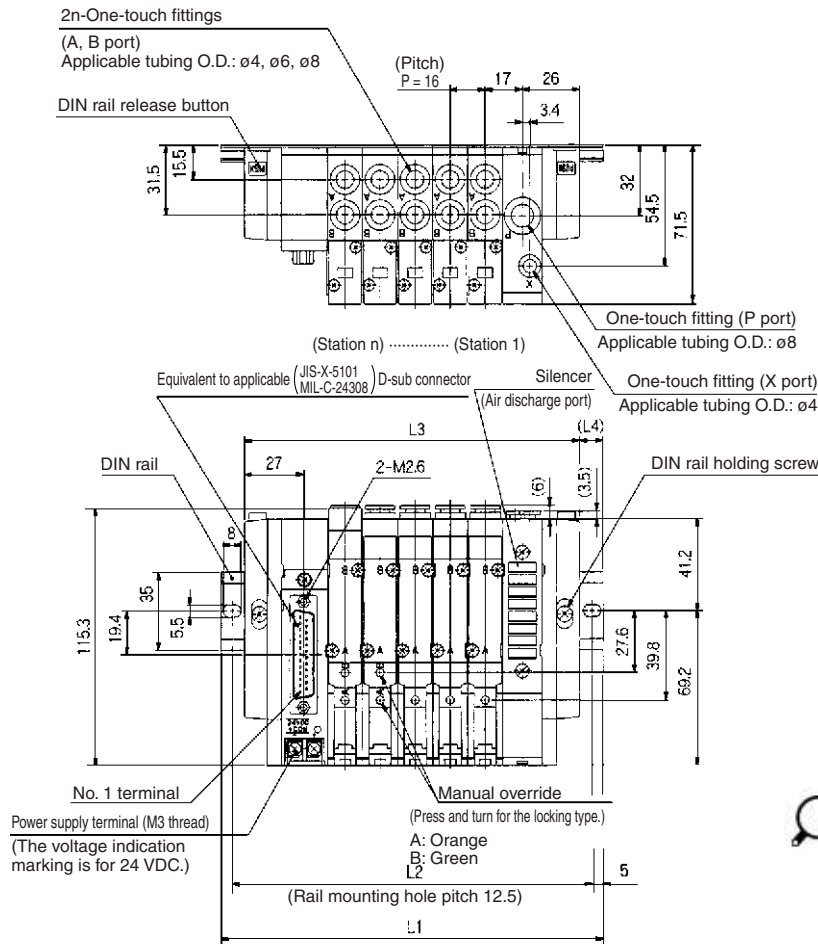
SS5X3-45FU- Stations DR- C4 C6



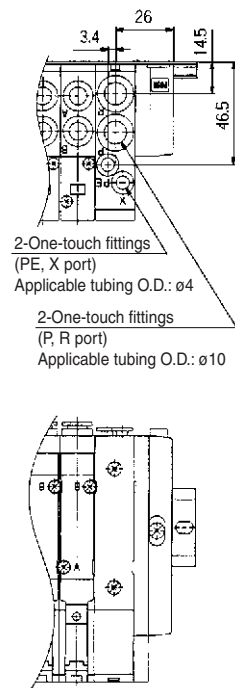
Note) The dimensions L1 to L4 are identical to SS5X3-45FU_D Station_B - C4 C6 (P. 1-6-92).

- SV
- SZ
- SY
- SYJ
- SX

SX5000:SS5X5-45FU- Stations DRS- C4 C6 C8



SS5X5-45FU- Stations DR- C4 C6 C8



Note) The dimensions L1 to L4 are identical to SS5X5-45FU_D Station_B - C4 C6 C8 (P. 1-6-94).

Courtesy of Steven Engineering, Inc.-230 Ryan Way, South San Francisco, CA 94080-6370-Main Office: (650) 588-9200-Outside Local Area: (800) 258-9200-www.stevenengineering.com



Made to Order Specifications: Series SX3000/5000 Mixed Mounting

Non plug-in type

This manifold makes it possible to mount SX3000 onto base of SX5000.

How to Order Manifold

Type M45 (Mixed mounting type)

SS5X5-M45-05 U C86

Mixed mounting style

Valve stations

Symbol	Stations	SUP/EXH block assembly mounting position
02	2 stations	U side
20	20 stations	D side
		Both sides
		Special specifications

This also includes the number of blanking plate assembly.

* For special specifications, indicate separately by the manifold specification sheet.

SUP/EXH block assembly specifications

Symbol	Specifications
Nil	Standard/Internal pilot specifications
S	Built-in silencer

External pilot specifications are unavailable for mixed mounting style.

Option

When a longer DIN rail is desired than the specified stations, specify the station number to be required. (20 stations maximum)

(Metric size)

Symbol	Port size
C44	SX5000: One-touch fitting for ø4 SX3000: One-touch fitting for ø4
C46	SX5000: One-touch fitting for ø6 SX3000: One-touch fitting for ø6
C64	SX5000: One-touch fitting for ø6 SX3000: One-touch fitting for ø4
C66	SX5000: One-touch fitting for ø8 SX3000: One-touch fitting for ø6
C84	SX5000: One-touch fitting for ø8 SX3000: One-touch fitting for ø4
C86	SX5000: One-touch fitting for ø4 SX3000: One-touch fitting for ø6
M	Mixed

A, B port size
(Inch size)

Symbol	Port size
N33	SX5000: One-touch fitting for ø5/32" SX3000: One-touch fitting for ø5/32"
N37	SX5000: One-touch fitting for ø5/32" SX3000: One-touch fitting for ø1/4"
N73	SX5000: One-touch fitting for ø1/4" SX3000: One-touch fitting for ø5/32"
N77	SX5000: One-touch fitting for ø1/4" SX3000: One-touch fitting for ø1/4"
N93	SX5000: One-touch fitting for ø5/16" SX3000: One-touch fitting for ø5/32"
N97	SX5000: One-touch fitting for ø5/16" SX3000: One-touch fitting for ø1/4"
M	Mixed

* In the case of mixed specifications (M), indicate separately on the manifold specification sheet.

How to Order Valves

SX 5 2 40-5 N L

Series

3	SX3000
5	SX5000

Type of actuation

1	2 position single
2	2 position double
3	3 position closed center
4	3 position exhaust center
5	3 position pressure center

Rated voltage

5	24 VDC
6	12 VDC
V	6 VDC
S	5 VDC
R	3 VDC

Common specifications

Nil	Positive common
N	Negative common

Note) Put nothing for single grommet style and single without indicator light and surge voltage suppressor.

Manual override

Nil	Non-locking push type
D	Push-turn locking slotted type

Light/Surge voltage suppressor

Nil	Without light/surge voltage suppressor
S	With surge voltage suppressor
Z	With light/surge voltage suppressor

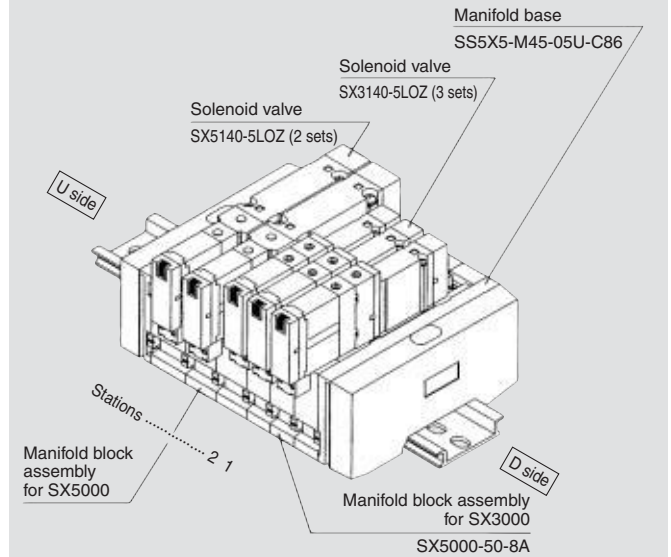
Electrical entry

Grommet	L plug connector	M plug connector
G: Lead wire length 300 mm lead	L: With lead wire (Length 300 mm)	M: With lead wire (Length 300 mm)
H: Lead wire length 600 mm	LN: Without lead wire	MN: Without lead wire
	LO: Without connector	MO: Without connector

* The LN or MN option includes 2 sockets for single solenoid valves and 3 sockets for double solenoid valves.

How to Order Valve Manifold Assembly

Ordering example



SS5X5-M45-05U-C86..... 1 set (Type M45 manifold base no.)
*SX3140-5LOZ..... 3 sets (Single solenoid part no.)
*SX5140-5LOZ..... 2 sets (Single solenoid part no.)

*The asterisk denotes the symbol for assembly. Prefix it to the part nos. of the solenoid valve, etc.

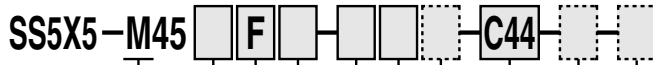
They will be assembled in the order listed starting at the first station at the D side even if SUP/EXH block assembly is located at either end. In ordering, specify the part nos. in the order from the 1st. station on D side. Besides, when the arrangement will be complicated, fill out the Manifold Specification Sheet to instruct us.

Plug-in type

This manifold makes it possible to mount SX3000 onto base of SX5000.

How to Order Manifold

Type M45 (Mixed mounting type)



Mixed mounting style

Common specifications

Nil	Positive common
N	Negative common

No symbol is used for T, T1, S□ types.

Connector type

Symbol	Mounting position
F	D-sub connector
P	Flat ribbon cable 26 pins
PG	Flat ribbon cable 20 pins
PH	Flat ribbon cable 10 pins
T	Terminal block 9 pins
T1	Terminal block 18 pins
G	Flat ribbon cable (PC wiring system compatible)
S□	Serial transmission type

For details, refer to pages 1-6-82 to 85, 112, 119, 124, and 127.

Connector mounting position

Symbol	Mounting position
U	U side
D	D side

Valve stations

Symbol	Stations	Note
02	2 stations	Depending on the connector, the number of stations is limited. For details, refer to pages 1-6-82 to 85, 112, 119, 124, and 127.
⋮	⋮	
20	20 stations	

This also includes the number of blanking plate assemblies.

SUP/EXH block assembly mounting position

Symbol	Mounting position	Stations
U	U side	2 to 10 stations
D	D side	
B	Both sides	2 to 20 stations
M	Special specifications	

* For special specifications, indicate separately by the manifold specification sheet.

SUP/EXH block assembly specifications

Symbol	Specifications
Nil	Standard/Internal pilot specifications
S	Built-in silencer

A, B port size (Metric size)

Symbol	Port size
C44	SX5000: One-touch fitting for ø4 SX3000: One-touch fitting for ø4
C46	SX5000: One-touch fitting for ø4 SX3000: One-touch fitting for ø6
C64	SX5000: One-touch fitting for ø6 SX3000: One-touch fitting for ø4
C66	SX5000: One-touch fitting for ø6 SX3000: One-touch fitting for ø6
C84	SX5000: One-touch fitting for ø8 SX3000: One-touch fitting for ø4
C86	SX5000: One-touch fitting for ø8 SX3000: One-touch fitting for ø6
M	Mixed

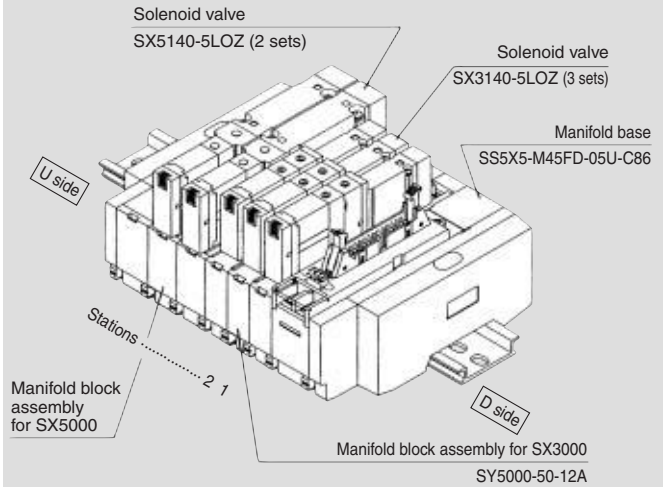
(Inch size)

Symbol	Port size
N33	SX5000: One-touch fitting for ø5/32" SX3000: One-touch fitting for ø5/32"
N37	SX5000: One-touch fitting for ø5/32" SX3000: One-touch fitting for ø1/4"
N73	SX5000: One-touch fitting for ø1/4" SX3000: One-touch fitting for ø5/32"
N77	SX5000: One-touch fitting for ø1/4" SX3000: One-touch fitting for ø1/4"
N93	SX5000: One-touch fitting for ø5/16" SX3000: One-touch fitting for ø5/32"
N97	SX5000: One-touch fitting for ø5/16" SX3000: One-touch fitting for ø1/4"
M	Mixed

* In the case of mixed specifications (M), indicate separately on the manifold specification sheet.

How to Order Valve Manifold Assembly

Ordering example

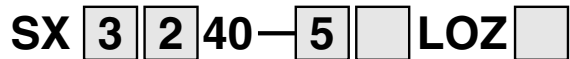


SS5X3-M45FD-05U-C86..... 1 set (Type M45 manifold base no.)
 *SX3140-5LOZ..... 3 sets (Single solenoid part no.)
 *SX5140-5LOZ..... 2 sets (Single solenoid part no.)

* The asterisk denotes the symbol for assembly. Prefix it to the part nos. of the solenoid valve, etc.

They will be assembled in the order listed starting at the first station at the D side even if SUP/EXH block assembly is located at either end. In ordering, specify the part nos. in the order from the 1st. station on D side. Besides, when the arrangement will be complicated, fill out the Manifold Specification Sheet to instruct us.

How to Order Valves



Series

3	SX3000
5	SX5000

Type of actuation

1	2 position single
2	2 position double
3	3 position closed center
4	3 position exhaust center
5	3 position pressure center

Voltage

Nil	24 VDC
12V	12 VDC

No symbol is used for T, T1, S□ types. For details, refer to pages 1-6-83, 84, 112, 119, 124, and 127.

Option

When a longer DIN rail is desired than the specified stations, specify the station number to be required. (20 stations at maximum)

Rated voltage

5	24 VDC
6	12 VDC
V*	6 VDC
S*	5 VDC
R*	3 VDC

* mark: Type 45T and T1 only S□ type: 24 VDC only

Common specifications

Nil	Positive common
N	Negative common

* Common specifications for the valve must correspond with common specifications for the manifold.

Manual override

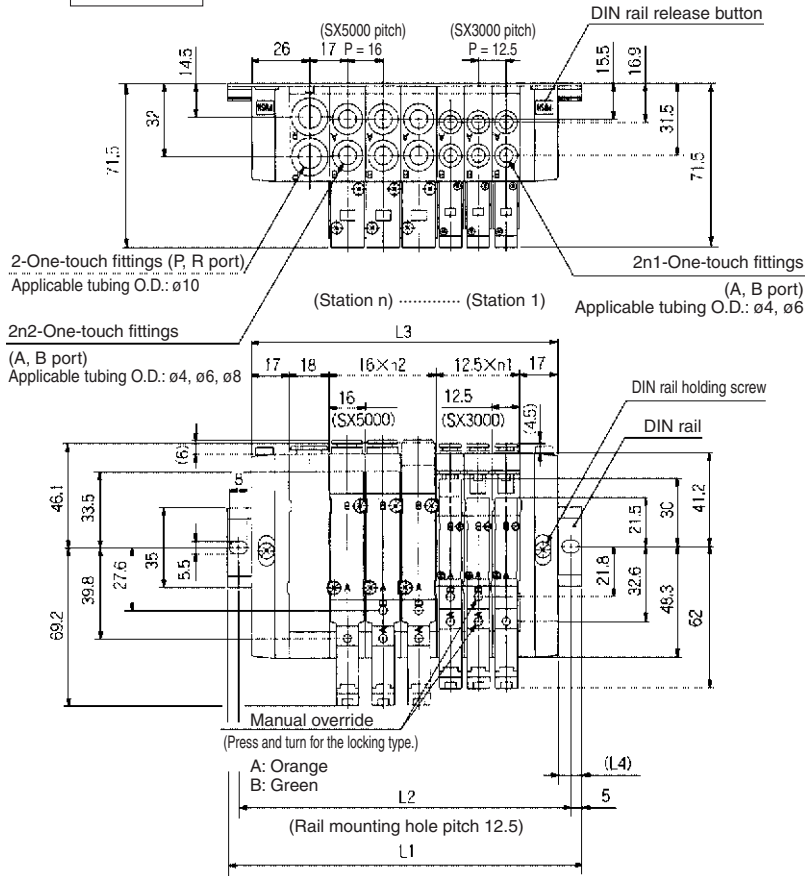
Nil	Non-locking push type
D	Push-turn locking slotted type

- SV
- SZ
- SY
- SYJ
- SX

(Non plug-in type)

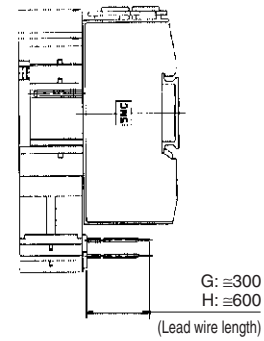
Dimensions: Mixed Mounting

SS5X5-M45- Stations U

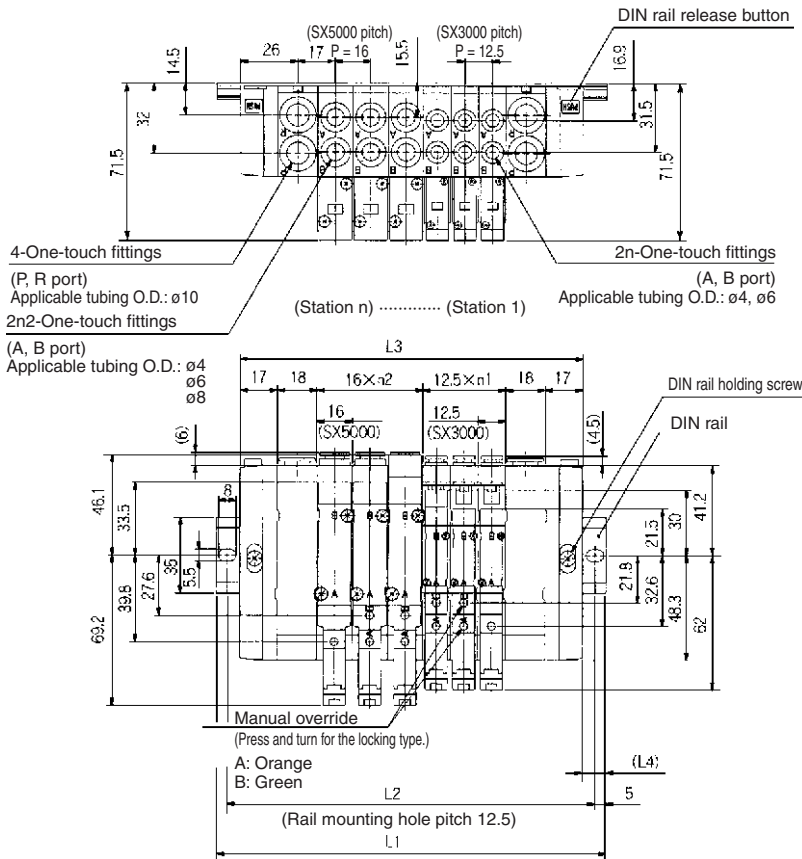


L dimension: Formulae for L1 to L4
 $L3 = 12.5 \times n1 + 16 \times n2 + 52$
 $M = \left(\frac{L3}{12.5} + 1 \right)$ Omit decimals
 $L1 = 12.5 \times M + 23$
 $L2 = L1 - 10.5$
 $L4 = (L1 - L3)/2$

n1: Number of SX3000's stations
 n2: Number of SX5000's stations



SS5X5-M45- Stations B



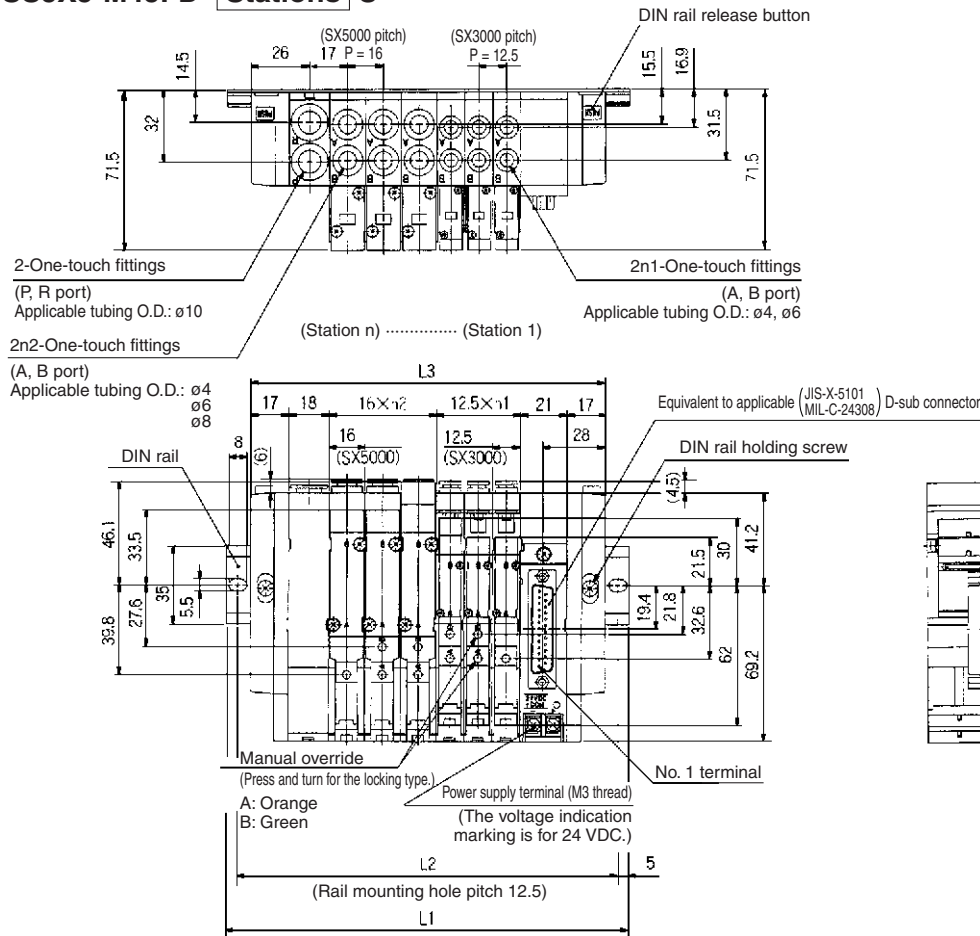
L dimension: Formulae for L1 to L4
 $L3 = 12.5 \times n1 + 16 \times n2 + 70$
 $M = \left(\frac{L3}{12.5} + 1 \right)$ Omit decimals
 $L1 = 12.5 \times M + 23$
 $L2 = L1 - 10.5$
 $L4 = (L1 - L3)/2$

n1: Number of SX3000's stations
 n2: Number of SX5000's stations

(Non plug-in type)

Dimensions: Mixed Mounting

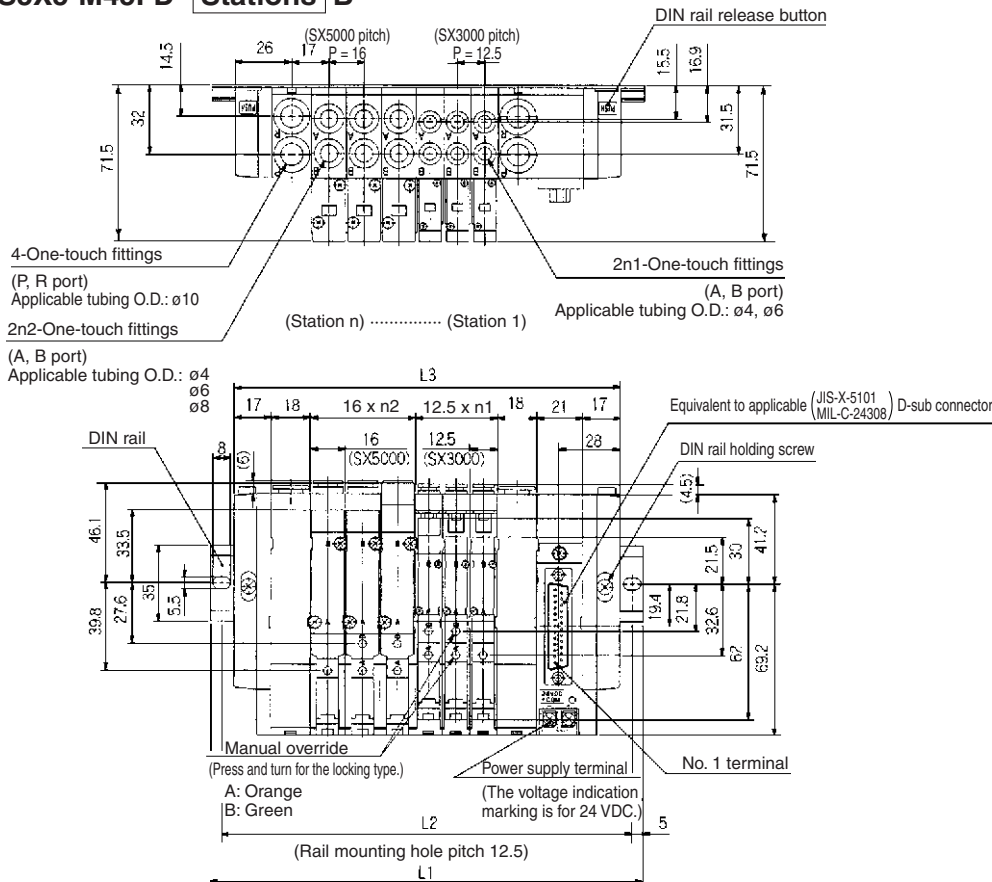
SS5X5-M45FD- Stations U



L dimension: Formulae for L1 to L3
 $L3 = 12.5 \times n1 + 16 \times n2 + 73$
 $M = \left(\frac{L3}{12.5} + 1 \right)$ Omit decimals
 $L1 = 12.5 \times M + 23$
 $L2 = L1 - 10.5$
 n1: Number of SX3000's stations
 n2: Number of SX5000's stations

- SV
- SZ
- SY
- SYJ
- SX

SS5X5-M45FD- Stations B



L dimension: Formulae for L1 to L4
 $L3 = 12.5 \times n1 + 16 \times n2 + 91$
 $M = \left(\frac{L3}{12.5} + 1 \right)$ Omit decimals
 $L1 = 12.5 \times M + 23$
 $L2 = L1 - 10.5$
 $L4 = (L1 - L3)/2$
 n1: Number of SX3000's stations
 n2: Number of SX5000's stations

Courtesy of Steven Engineering, Inc.-230 Ryan Way, South San Francisco, CA 94080-6370-Main Office: (650) 588-9200-Outside Local Area: (800) 258-9200-www.stevenengineering.com

Series SX3000/5000/7000 Made to Order Specifications:

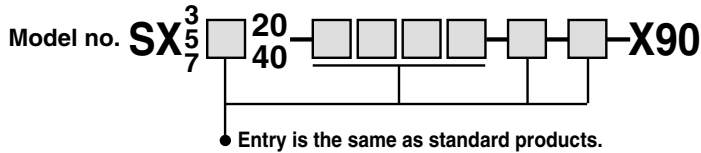
Symbol

Main Valve Fluoro Rubber Specifications -X90

Fluoro rubber is used for rubber parts of the main valve to allow use in applications such as the following.

1. When using a lubricant other than the recommended turbine oil, and there is a possibility of malfunction due to swelling of the spool valve seals.
2. When ozone enters or is generated in the air supply.

Applicable solenoid valves: Series SX3□₄²0, SX5□₄²0, SX7□₄²0



The specifications and performance are the same as those of standard models.



Note) Because in series -X90 fluoro rubber is used for only main valve, the rubber parts of the application/usage in conditions requiring heat resistance should be avoided.

Courtesy of Steven Engineering, Inc.-230 Ryan Way, South San Francisco, CA 94080-6370-Main Office: (650) 588-9200-Outside Local Area: (800) 258-9200-www.stevenengineering.com