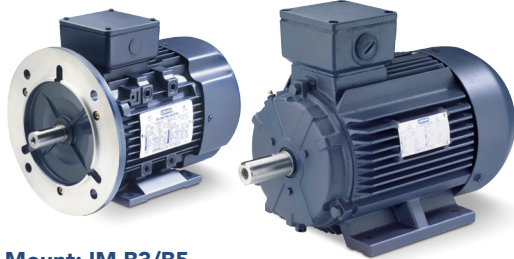




Stock standard solutions ready to deliver from locations across the country.



Mount: IM B3/B5



Mount: IM B3



Mount: IM B3/450 Frame (custom)



IEC Motors

	Aluminum Frame AC	Cast Iron Frame AC	Permanent Magnet DC	Commercial Duty DC	Stainless
Enclosure Type	TEFC	TEFC	TENV – TEFC	TENV	TENV – TEFC
Range	0.18 kW–2.2 kW	1.5 kW–37 kW	0.06 kW–2.2 kW	0.050–0.125 kW	0.25–1.5 kW
Voltage	230/460 & 575	230/460 & 575	24 & 180 Volts DC	12, 24 & 90 Volts DC	230/460 Volts
Speed	2, 4 & 6-Pole	2, 4 & 6-Pole	3000 & 1800 RPM	3000	1800 RPM
Frequency	60 Hz (50 Hz derated to next lowest HP)	60 Hz (50 Hz derated to next lowest HP)	DC	DC	60 Hz (50 Hz derated to next lowest HP)
IEC Frame	63–90	100–250	56, 63, 80, 90, 112	56	71–90
Mounting Flanges	B3, B5 and B14	B3, B5 and B14	B3, B5 & B14	B14	B5 & B14
Ambient	40°C	40°C	40°C	40°C	40°C
Insulation	Class F Class B Rise	Class F Class B Rise	Class F	Class F	Class F Class B Rise
NEMA Design B Breakdown Torque	175–300%	175–300%	N/A	N/A	NEMA Design B Breakdown Torque 175–300%
IEC Design N Breakdown Torque	160–200%	160–200%	N/A	N/A	IEC Design N Breakdown Torque 160–200%
NEMA Design B Lock Rotor Torque	70–275%	70–275%	N/A	N/A	NEMA Design B Lock Rotor Torque 70–275%
IEC Design N Lock Rotor Torque	75–275%	75–275%	N/A	N/A	IEC Design N Lock Rotor Torque 75–275%
Service Factor	1.15	1.15	1.0	1.0	1.15
Inverter Duty	10:1	10:1	SCR 10:1	SCR 10:1	6:1
Warranty	3 Years—Premium Efficient Models	3 Years	1 Year	1 Year	3 Years
Accessories	B5 & B14 Flange Kits	B5 & B14 Flange Kits	B5 & B14 Flange Kits	N/A	N/A
Shaft Seals	Yes	Yes	Yes	Yes	Yes
Terminals Boards	Yes	Yes	N/A	N/A	N/A
IP Construction	IP55	IP55	IP54	IP44	IP56 (Encapsulated designs available)
Efficiency	IE2, IE3 (90 Frame) EPACT and NEMA Premium	IE3—NEMA Premium	Varies by HP	Varies by HP	Standard and EPACT
Removable Base	Yes	No	Yes	No Base	No

IEC Motors

DC Motors

Gearmotors

Ac / DC Controls

Accessories / Kits

Mods / Factory Options

X-Ref / Index

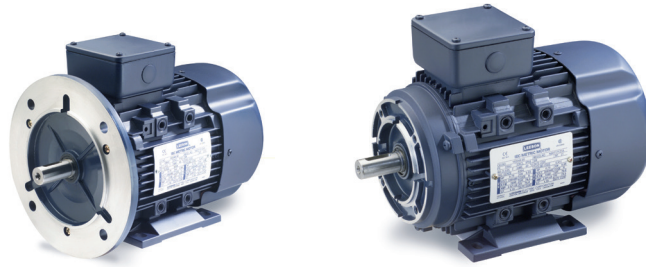
Tech Information

Terms / Warnings



IEC Motors

AC Metric – Three Phase – 230/460 Volt – 575 Volt



These motors meet North American performance standards and Premium energy efficiency mandates, and have 1.15 service factors.

Typically used for replacement on machine tools, textile tools, textile machinery and other equipment with metric dimensions but requiring the high torque and performance of motors designed for use in North America.

Features:

- Aluminum frame and cast iron frame construction
- DC and stainless steel IEC motors available
- 60/50 Hz interchangeability
- B3, B5, B14 mounting flanges
- Flange kits available
- Inverter rated (IRIS™) insulation system on AC models
- 3-year warranty on premium efficiency models
- 1-year warranty on DC and AC standard efficiency models
- UL listed and CSA certified





AC Metric (IEC) Motors – Three Phase

LEESON's Inverter Rated Insulation System, (IRIS™) provides superior protection against voltage spikes induced by variable frequency drives.



ALUMINUM FRAME

CSA: File number LR33543
UL: File number E57948 for motors produced January 2004 and later

IP55 weatherproof enclosure allows for use in a wide range of applications.

Drain Hole locations in four quadrants can be drilled-out for multi-position condensate drainage.

D flange (B5) and C face (B14) models available. Field conversion kits also offered.

"Captive Shaft" keyway.

Drilled and tapped shaft.

Oil seals on both the drive end and non drive end.

High efficiency design utilizes low-loss steel laminations for optimum power and performance.

Terminal Boards included.
• 230/460V motors have 9 leads.
• 575V motors have 3 leads.
• All terminal boards have 6 posts.

Conduit box with neoprene gaskets. Reposition metric "PG" tapped lead exit hole by rotating box in 90 degree increments. Move box to F1 or F2 position by relocating motor feet.

Special design steel fan cover and low-noise fan maximize airflow efficiency.

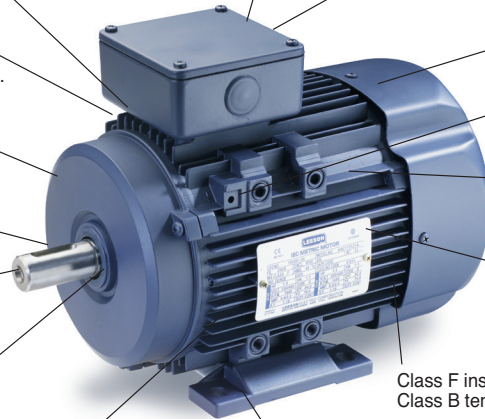
External grounding provision.

Multi-mount repositionable feet allow for three conduit box positions (F2, F1, F3).

Aluminum "full fact" nameplate with information on motor efficiency and power factor. Stamped with 60 Hz and 50 Hz data.

Class F insulation system with Class B temperature rise or lower.

Removable feet.



CAST IRON FRAME

CSA: File number LR62104
UL: File number E57948 for motors produced June 2003 and later

Terminal Boards included.
• 230/460V motors, 132-frame and larger have 12 leads and 9 post terminal boards.
• 230/460V motors, smaller than 132-frame have 9 leads and 6 post terminal boards.
• 575V motors have 3 leads and 6 post terminal boards.

IP55 weatherproof enclosure allows for use in a wide range of applications.

D flange (B5) and C face (B14) models available. Field conversion kits also offered.

Drilled and tapped shaft.

Oil seals on both the drive end and non drive end.

Cast iron mounting feet are precision machined for accurate alignment.

Conduit box with neoprene gaskets. Reposition metric "PG" threaded lead exit by rotating box in 90 degree increments. Motors 132 frame and larger have second lead exit hole for auxiliary box. Box is fixed at F3 location.

Heavy-duty cast iron construction includes frame, endbells and conduit box.

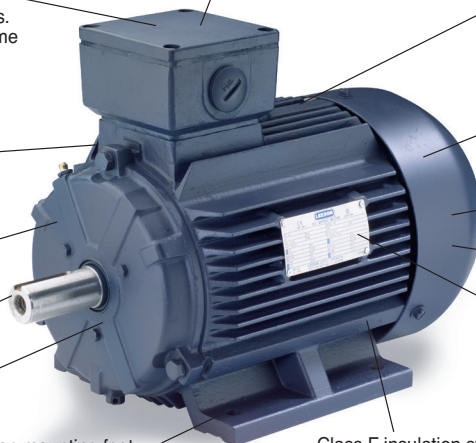
High efficiency design utilizes low-loss steel laminations for optimum power and performance.

Non-sparking fan. Small size reduces noise and enhances efficiency.

Steel fan cover.

Stainless steel "full fact" nameplate with information on motor efficiency and power factor. Stamped with 60 Hz and 50 Hz data.

Class F insulation system with Class B temperature rise or lower.



- IEC Motors
- DC Motors
- Gearmotors
- AC / DC Controls
- Accessories / Kits
- Mods / Factory Options
- X-Ref / Index
- Tech Information
- Terms / Warnings

IEC Metric Motors

AC Metric (IEC) Motors - B3 Flange - Three Phase - Rigid Base

Three Phase - TEFC - B3 Flange - Rigid Base - IP55



HP/ kW	SYN RPM 60 Hz	IEC Frame	Catalog Number	Stock	List Price	Model Number	App. Wgt. (lbs)	Voltage	F. L. Amps @ 230 V	% F. L. Eff.	Service Factor	"C" Dim. (Inches)	♥ Notes	
1/4-0.18	3600	D63	192010.00	D	273	C63T34FZ1	10	230/460	0.8	72.0	1.15	8.55	A, CN	
	3600	D63	192010.30	✓	273	C63T34FZ13	10	230/460	1.0	65.5	1.15	8.35	A, CN	
	1800	D63	192011.00	D	284	C63T17FZ1	11	230/460	1.1	68.0	1.15	8.55	A, CN	
	1800	D63	192011.30	✓	284	C63T17FZ7	11	230/460	1.3	52.5	1.15	8.35	A, CN	
	1200	D71	192012.00	D	485	C71T11FZ1	12	230/460	1.2	64.0	1.15	9.16	A, CN	
1/3-0.25	1200	D71	192012.30	✓	485	C71T11FZ13	12	230/460	1.1	62.4	1.15	9.65	A, CN	
	3600	D63	192020.00	D	314	C63T34FZ2	11	230/460	1.1	72.0	1.15	8.55	A, CN	
	3600	D63	192020.30	✓	314	C63T34FZ2	11	230/460	1.1	72.0	1.15	8.55	A, CN	
	1800	D71	192021.00	D	332	C71T17FZ1	13	230/460	1.4	68.0	1.15	9.46	A, CN	
	1800	D71	192021.30	✓	332	C71T17FZ13	13	230/460	1.1	62.4	1.15	9.65	A, CN	
1/2-0.37	1200	D80	192022.00	D	518	C80T11FZ1	17	230/460	1.3	70.0	1.15	11.11	A, CN	
	1200	D80	192022.30	✓	518	C80T11FZ19	17	230/460	1.5	61.3	1.15	11.61	A, CN	
	3600	D71	192030.00	D	341	C71T34FZ1	13	230/460	1.6	74.0	1.15	9.46	A, CN	
	3600	D71	192030.30	✓	341	C71T34FZ13	13	230/460	1.7	67.3	1.15	9.46	A, CN	
	1800	D71	192031.00	D	346	C71T17FZ2	14	230/460	1.8	74.0	1.15	9.46	A, CN	
3/4-0.55	1800	D71	192031.30	✓	346	C71T17FZ14	14	230/460	1.9	71.5	1.15	9.46	A, CN	
	1200	D80	192032.00	D	542	C80T11FZ2	19	230/460	1.9	72.0	1.15	11.11	A, CN	
	1200	D80	192032.30	✓	542	C80T11FZ20	19	230/460	2.2	61.8	1.15	11.61	A, CN	
	3600	D71	192040.00	D	356	C71T34FZ2	15	230/460	2.4	74.0	1.15	9.46	A, CN	
	3600	D71	192040.30	✓	356	C71T34FZ14	15	230/460	2.3	74.5	1.15	9.65	A, CN	
1-0.75	1800	D80	192041.00	D	376	C80T17FZ1	18	230/460	2.5	74.0	1.15	11.11	A, CN	
	1800	D80	192041.30	✓	376	C80T17FZ13	18	230/460	2.5	73.9	1.15	11.61	A, CN	
	1200	D80	192042.00	D	580	C80T11FZ3	22	230/460	2.7	72.0	1.15	11.11	A, CN	
	1200	D80	192042.30	✓	580	C80T11FZ21	22	230/460	3.0	63.0	1.15	11.61	A, CN	
	3600	D80	192050.00	D	403	C80T34FZ1	21	230/460	2.8	75.5	1.15	11.11	A, CN	
1 1/2-1.1	3600	D80	192050.30	✓	403	C80T34FZ13	21	230/460	3.1	76.5	1.15	11.61	A, CN	
	1800	D80	192051.00	D	412	C80T17FZ2	26	230/460	3.2	80.0	1.15	11.11	A, CN	
	1800	D80	192051.30	✓	412	C80T17FZ14	26	230/460	3.2	73.6	1.15	11.61	A, CN	
	1200	D90S	192200.00	D	696	C90T11FZ13	33	230/460	3.2	82.5	1.15	12.83	A, CN	
	1200	D90S	192200.30	✓	696	C90T11FZ19	33	230/460	3.3	82.5	1.15	13.39	A, CN	
2-1.5	1 1/2-1.1	3600	D80	192060.00	D	447	C80T34FZ2	27	230/460	4.0	84.0	1.15	11.11	A, CN
	3600	D80	192060.30	✓	447	C80T34FZ14	27	230/460	4.3	77.9	1.15	11.61	A, CN	
	1800	D90S	192202.00	D	526	C90T17FZ13	37	230/460	4.2	88.5	1.15	12.83	A, CN	
	1800	D90S	192202.30	✓	526	C90T17FZ23	37	230/460	3.9	86.5	1.15	13.39	A, CN	
	3600	D90S	192208.00	D	548	C90T34FZ13	33	230/460	5.0	85.5	1.15	16.34	A, CN	
3-2.2	3600	D90S	192208.30	✓	548	C90T34FZ21	33	230/460	5.0	85.5	1.15	13.39	A, CN	
	1800	D90L	192205.00	D	567	C90T17FZ16	38	230/460	5.4	87.5	1.15	16.34	A, CN	
	1800	D90L	192205.30	✓	567	C90T17FZ24	38	230/460	5.3	86.6	1.15	13.39	A, CN	
	1200	DF100L	193300.60	✓	945	C100T11FZ20	82	230/460	6.0	88.5	1.15	16.34	C, CN	
	3-2.2	3600	D90L	192209.00	D	790	C90T34FZ14	39	230/460	7.2	86.5	1.15	13.43	A, CN
4-3	3600	D90L	192209.30	✓	790	C90T34FZ22	39	230/460	7.3	86.5	1.15	13.39	A, CN	
	1800	DF100L	193301.60	✓	916	C100T17FZ41	84	230/460	8.0	90.2	1.15	16.34	C, CN	
	1200	DF112M	193302.60	✓	1,328	C112T11FZ21	100	230/460	9.6	89.5	1.15	18.43	C, CN	
	4-3	3600	DF100L	193303.60	✓	977	C100T34FZ20	71	230/460	9.2	88.5	1.15	18.43	C, CN
	1800	DF100L	193304.60	✓	994	C100T17FZ42	84	230/460	10.0	89.5	1.15	16.34	C, CN	
5 1/2-4	1200	DF132S	193305.60	✓	1,610	C132T11FZ58	154	230/460	12.6	89.5	1.15	18.27	C, CN	
	5 1/2-4	3600	DF112M	193306.60	✓	1,255	C112T34FZ24	104	230/460	12.6	89.5	1.15	16.14	C, CN
	1800	DF112M	193307.60	✓	1,209	C112T17FZ21	104	230/460	14.0	89.5	1.15	16.14	C, CN	
	1200	DF132M	193308.60	✓	1,861	C132T11FZ59	176	230/460	17.0	89.5	1.15	19.76	C, CN	
	7 1/2-5.5	3600	DF132S	193309.60	✓	1,573	C132T34FZ45	152	230/460	18.0	89.5	1.15	18.27	C, CN
7 1/2-5.5	1800	DF132S	193310.60	✓	1,573	C132T17FZ43	150	230/460	18.4	92.4	1.15	18.27	C, CN	
	1200	DF132M	193311.60	✓	2,237	C132T11FZ60	180	230/460	21.6	91.0	1.15	19.76	C, CN	

Green items are Premium Efficient

D = Items to be discontinued when inventory is depleted

♥ Note listing on inside back flap

Specifications are subject to change without notice

Continued On Next Page



View On-line Technical Information





Three Phase - TEFC - B3 Flange - Rigid Base - IP55

HP/ kW	SYN RPM 60 Hz	IEC Frame	Catalog Number	Stock	List Price	Model Number	App. Wgt. (lbs)	Voltage	F. L. Amps @ 230 V	% F. L. Eff.	Service Factor	"C" Dim. (Inches)	♥Notes
10-7.5	3600	DF132S	193312.60	✓	1,683	C132T34FZ46	163	230/460	24.0	90.2	1.15	18.27	C, CN
	1800	DF132M	193313.60	✓	1,866	C132T17FZ44	174	230/460	24.0	91.7	1.15	19.76	C, CN
	1200	DF160M	193314.60	✓	2,901	C160T11FZ39	251	230/460	28.8	92.1	1.15	23.62	C, CN
15-11	3600	DF160M	193315.60	✓	2,727	C160T34FZ59	260	230/460	35.0	91.0	1.15	23.62	C, CN
	1800	DF160M	193316.60	✓	2,727	C160T17FZ43	264	230/460	36.0	92.4	1.15	23.62	C, CN
	1200	DF160L	193317.60	✓	3,725	C160T11FZ40	330	230/460	40.0	91.7	1.15	26.57	C, CN
20-15	3600	DF160M	193318.60	✓	3,198	C160T34FZ60	269	230/460	47.0	91.0	1.15	23.62	C, CN
	1800	DF160L	193319.60	✓	3,372	C160T17FZ44	311	230/460	50.0	93.0	1.15	25.39	C, CN
	1200	DF180L	193320.60	✓	5,222	C180T11FZ20	385	230/460	53.5	92.4	1.15	28.27	C, CN
25-18.5	3600	DF160L	193321.60	✓	3,893	C160T34FZ61	319	230/460	58.0	91.7	1.15	25.39	C, CN
	1800	DF180M	193322.60	✓	4,285	C180T17FZ41	381	230/460	58.5	93.6	1.15	26.77	C, CN
	1200	DF200L	193323.60	✓	6,550	C200T11FZ39	517	230/460	66.0	93.5	1.15	29.53	C, CN
30-22	3600	DF180M	193324.60	✓	4,627	C180T34FZ19	355	230/460	69.0	91.7	1.15	26.77	C, CN
	1800	DF180L	193325.60	✓	4,817	C180T17FZ42	427	230/460	70.0	94.1	1.15	28.27	C, CN
	1200	DF200L	193326.60	✓	7,420	C200T11FZ40	467	230/460	77.0	93.8	1.15	29.53	C, CN
40-30	3600	DF200L	193327.60	✓	6,586	C200T34FZ37	522	230/460	91.0	92.4	1.15	29.53	C, CN
	1800	DF200L	193328.60	✓	7,091	C200T17FZ21	531	230/460	95.0	94.1	1.15	29.53	C, CN
	1200	DF225M	193329.60	✓	11,145	C225T11FZ21	633	230/460	95.0	94.1	1.15	32.95	C, CN
50-37	3600	DF200L	193330.60	✓	8,638	C200T34FZ38	546	230/460	112.0	94.1	1.15	29.53	C, CN
	1800	DF225S	193331.60	✓	9,836	C225T17FZ21	632	230/460	118.0	94.5	1.15	31.97	C, CN
	1200	DF250M	193332.60	✓	15,624	C250T11FZ19	1089	230/460	120.0	94.1	1.15	36.42	C, CN

Green items are Premium Efficient

♥ Note listing on inside back flap

Specifications are subject to change without notice

View On-line Technical Information



IEC Metric Motors

AC Metric (IEC) Motors - B3 / B5 Flange - Three Phase - Rigid Base

Three Phase - TEFC - B3 / B5 Flange - Rigid Base - IP55



HP/ kW	SYN RPM 60 Hz	IEC Frame	Catalog Number	Stock	List Price	Model Number	App. Wgt. (lbs)	Voltage	F. L. Amps @ 230 V	% F. L. Eff.	Service Factor	"C" Dim. (Inches)	Notes
1/4-0.18	3600	D63D	192014.00	D	314	C63T34FZ5	10	230/460	0.8	72.0	1.15	8.54	A, CN
	3600	D63D	192014.30	✓	314	C63T34FZ15	10	230/460	1.0	65.5	1.15	8.35	A, CN
	1800	D63D	192015.00	D	325	C63T17FZ3	11	230/460	1.0	68.0	1.15	8.54	A, CN
	1800	D63D	192015.30	✓	325	C63T17FZ8	11	230/460	1.3	52.5	1.15	8.35	A, CN
	1200	D71D	192016.00	D	555	C71T11FZ3	12	230/460	1.2	64.0	1.15	9.45	A, CN
1/3-0.25	3600	D63D	192024.00	D	362	C63T34FZ6	11	230/460	1.1	72.0	1.15	8.54	A, CN
	3600	D63D	192024.30	✓	362	C63T34FZ16	11	230/460	1.3	67.9	1.15	8.35	A, CN
	1800	D71D	192025.00	D	374	C71T17FZ5	13	230/460	1.4	68.0	1.15	9.45	A, CN
	1800	D71D	192025.30	✓	374	C71T17FZ15	13	230/460	1.4	65.6	1.15	9.65	A, CN
	1200	D80D	192026.00	D	599	C80T11FZ7	17	230/460	1.3	70.0	1.15	11.10	A, CN
1/2-0.37	3600	D71D	192034.00	D	373	C71T34FZ5	13	230/460	1.6	74.0	1.15	9.45	A, CN
	3600	D71D	192034.30	✓	373	C71T34FZ15	13	230/460	1.7	67.3	1.15	9.65	A, CN
	1800	D71D	192035.00	D	385	C71T17FZ6	14	230/460	1.8	74.0	1.15	9.45	A, CN
	1800	D71D	192035.30	✓	385	C71T17FZ16	14	230/460	1.9	71.5	1.15	11.61	A, CN
	1200	D80D	192036.00	D	619	C80T11FZ8	19	230/460	1.9	72.0	1.15	11.10	A, CN
3/4-0.55	3600	D71D	192044.00	D	393	C71T34FZ6	15	230/460	2.4	74.0	1.15	9.45	A, CN
	3600	D71D	192044.30	✓	393	C71T34FZ16	15	230/460	2.3	74.5	1.15	9.65	A, CN
	1800	D80D	192045.00	D	418	C80T17FZ5	18	230/460	2.5	74.0	1.15	11.10	A, CN
	1800	D80D	192045.30	✓	418	C80T17FZ15	18	230/460	2.5	73.9	1.15	11.61	A, CN
	1200	D80D	192046.00	D	658	C80T11FZ9	22	230/460	2.7	72.0	1.15	11.10	A, CN
1-0.75	3600	D80D	192054.00	D	433	C80T34FZ5	21	230/460	2.8	75.5	1.15	11.10	A, CN
	3600	D80D	192054.30	✓	433	C80T34FZ15	21	230/460	3.1	76.5	1.15	11.61	A, CN
	1800	D80D	192055.00	D	454	C80T17FZ6	26	230/460	3.2	80.0	1.15	11.10	A, CN
	1800	D80D	192055.30	✓	454	C80T34FZ15	26	230/460	3.1	76.5	1.15	11.61	A, CN
	1200	D90SD	192201.00	D	797	C90T11FZ14	35	230/460	3.2	82.5	1.15	12.83	A, CN
1 1/2-1.1	3600	D90SD	192201.30	✓	797	C90T11FZ20	35	230/460	3.3	82.5	1.15	13.39	A, CN
	1800	D80D	192064.00	D	492	C80T34FZ6	30	230/460	4.2	84.0	1.15	12.83	A, CN
	3600	D80D	192064.30	✓	492	C80T34FZ16	30	230/460	4.3	77.9	1.15	11.61	A, CN
	1800	D90SD	192203.00	D	577	C90T17FZ14	37	230/460	5.0	88.5	1.15	12.83	A, CN
	1800	D90SD	192203.30	✓	577	C90T17FZ25	37	230/460	3.9	86.5	1.15	13.39	A, CN
2-1.5	3600	D90SD	192210.00	D	630	C90T34FZ15	33	230/460	5.0	85.5	1.15	12.83	A, CN
	3600	D90SD	192210.30	✓	630	C90T34FZ23	33	230/460	5.0	85.5	1.15	13.39	A, CN
	1800	D90LD	192206.00	D	647	C90T17FZ17	38	230/460	5.4	87.5	1.15	12.83	A, CN
	1800	D90LD	192206.30	✓	647	C90T17FZ26	38	230/460	5.3	86.6	1.15	13.39	A, CN
	1200	DF100LD	193333.60	✓	1,086	C100T11FZ21	82	230/460	6.0	88.5	1.15	16.34	C, CN
3-2.2	3600	D90LD	192211.00	D	890	C90T34FZ16	39	230/460	7.2	87.5	1.15	12.83	A, CN
	3600	D90LD	192211.30	✓	890	C90T34FZ24	39	230/460	7.3	86.5	1.15	13.39	A, CN
	1800	DF100LD	193334.60	✓	1,053	C100T17FZ43	84	230/460	8.0	89.5	1.15	16.34	C, CN
	1200	DF112MD	193335.60	✓	1,486	C112T11FZ22	100	230/460	9.6	89.5	1.15	16.14	C, CN

Green items are Premium Efficient

♥ Note listing on inside back flap

D = Items to be discontinued when inventory is depleted
 Note: Aluminum motors have removable feet for round-body applications.
 Larger HP B3 Foot-Mounted metric motors on page 282 can be converted to B3/B5 Flange-Mount by installing B5 Flange Kits.

Specifications are subject to change without notice

Continued On Next Page



View On-line Technical Information





AC Metric (IEC) Motors - B3 / B5 Flange - Three Phase - Rigid Base

Three Phase - TEFC - B3 / B5 Flange - Rigid Base - IP55

HP/ kW	SYN RPM 60 Hz	IEC Frame	Catalog Number	Stock	List Price	Model Number	App. Wgt. (lbs)	Voltage	F. L. Amps @ 230 V	% F. L. Eff.	Service Factor	"C" Dim. (Inches)	♥Notes
4-3	3600	DF100LD	193336.60	✓	1,116	C100T34FZ21	71	230/460	9.2	88.5	1.15	16.34	C, CN
	1800	DF100LD	193337.60	✓	1,133	C100T17FZ44	84	230/460	10.0	89.5	1.15	16.34	C, CN
	1200	DF132SD	193338.60	✓	1,817	C132T11FZ61	154	230/460	12.4	89.5	1.15	18.27	C, CN
5 1/2-4	3600	DF112MD	193339.60	✓	1,405	C112T34FZ25	104	230/460	12.6	88.5	1.15	16.14	C, CN
	1800	DF112MD	193340.60	✓	1,361	C112T17FZ22	104	230/460	14.0	89.5	1.15	16.14	C, CN
	1200	DF132MD	193341.60	✓	2,070	C132T11FZ62	176	230/460	17.0	89.5	1.15	19.76	C, CN
7 1/2-5.5	3600	DF132SD	193342.60	✓	1,775	C132T34FZ47	152	230/460	18.0	89.5	1.15	18.27	C, CN
	1800	DF132SD	193343.60	✓	1,775	C132T17FZ45	150	230/460	18.4	91.7	1.15	18.27	C, CN
	1200	DF132MD	193344.60	✓	2,448	C132T11FZ63	180	230/460	21.6	91.0	1.15	19.76	C, CN
10-7.5	3600	DF132SD	193345.60	✓	1,895	C132T34FZ48	163	230/460	24.0	90.2	1.15	19.76	C, CN
	1800	DF132MD	193346.60	✓	2,077	C132T17FZ46	174	230/460	24.0	91.7	1.15	19.76	C, CN
	1200	DF160MD	193347.60	✓	3,298	C160T11FZ41	251	230/460	28.8	91.0	1.15	23.62	C, CN
15-11	3600	DF160MD	193348.60	✓	3,125	C160T34FZ62	260	230/460	35.0	91.0	1.15	23.62	C, CN
	1800	DF160MD	193349.60	✓	3,125	C160T17FZ45	264	230/460	37.0	92.4	1.15	23.62	C, CN
	1200	DF160LD	193350.60	✓	4,122	C160T11FZ42	330	230/460	40.0	91.7	1.15	26.57	C, CN
20-15	3600	DF160MD	193351.60	✓	3,370	C160T34FZ63	269	230/460	47.0	91.0	1.15	23.62	C, CN
	1800	DF160LD	193352.60	✓	3,554	C160L17FZ46	311	230/460	50.0	93.0	1.15	25.39	C, CN
	1200	DF180LD	193353.60	✓	5,406	C180T11FZ21	385	230/460	53.5	91.7	1.15	28.27	C, CN
25-18.5	3600	DF160LD	193354.60	✓	4,052	C160T34FZ64	319	230/460	58.0	91.7	1.15	25.39	C, CN
	1800	DF180MD	193355.60	✓	4,524	C180T17FZ43	381	230/460	58.5	93.6	1.15	26.77	C, CN
30-22	3600	DF180MD	193356.60	✓	4,844	C180T34FZ20	355	230/460	69.0	93.0	1.15	26.77	C, CN
	1800	DF180LD	193357.60	✓	5,025	C180T17FZ44	427	230/460	70.0	94.1	1.15	28.27	C, CN

Green items are Premium Efficient

♥ Note listing on inside back flap

Note: Aluminum motors have removable feet for round-body applications.

Larger HP B3 Foot-Mounted metric motors on page 282 can be converted to B3/B5 Flange-Mount by installing B5 Flange Kits.

Specifications are subject to change without notice

View On-line Technical Information



- IEC Motors
- DC Motors
- Gearmotors
- AC / DC Controls
- Accessories / Kits
- Mots / Factory Options
- X-Ref / Index
- Tech Information
- Terms / Warnings

IEC Metric Motors

AC Metric (IEC) Motors - B3 / B14 Flange - Three Phase - Rigid Base



Three Phase - TEFC - B3 / B14 Flange - Rigid Base - IP55

HP/ kW	SYN RPM 60 Hz	IEC Frame	Catalog Number	Stock	List Price	Model Number	App. Wgt. (lbs)	Voltage	F. L. Amps @ 230 V	% F. L. Eff.	Service Factor	"C" Dim. (Inches)	♥Notes
1/4-0.18	3600	D63C	192017.00	D	307	C63T34FZ3	10	230/460	0.8	72.0	1.15	8.55	A, CN
	3600	D63C	192017.30	✓	307	C63T34FZ17	10	230/460	1.0	65.5	1.15	8.35	A, CN
	1800	D63C	192018.00	D	319	C63T17FZ2	11	230/460	1.0	68.0	1.15	8.55	A, CN
	1800	D63C	192018.30	✓	319	C63T17FZ9	11	230/460	1.3	52.5	1.15	8.35	A, CN
	1200	D71C	192019.00	D	555	C71T11FZ2	12	230/460	1.2	64.0	1.15	9.46	A, CN
1/3-0.25	3600	D63C	192027.00	D	359	C63T34FZ4	11	230/460	1.1	72.0	1.15	8.55	A, CN
	3600	D63C	192027.30	✓	359	C63T34FZ16	11	230/460	1.3	67.9	1.15	9.65	A, CN
	1800	D71C	192028.00	D	363	C71T17FZ3	13	230/460	1.4	68.0	1.15	9.46	A, CN
	1800	D71C	192028.30	✓	363	C71T17FZ17	13	230/460	1.4	65.6	1.15	9.65	A, CN
	1200	D80C	192029.00	D	599	C80T11FZ4	17	230/460	1.3	70.0	1.15	11.11	A, CN
1/2-0.37	3600	D63C	192029.30	✓	599	C80T11FZ25	17	230/460	1.5	61.3	1.15	11.61	A, CN
	3600	D71C	192037.00	D	364	C71T34FZ3	13	230/460	1.6	74.0	1.15	9.46	A, CN
	3600	D71C	192037.30	✓	364	C71T34FZ17	13	230/460	1.7	67.3	1.15	9.65	A, CN
	1800	D71C	192038.00	D	379	C71T17FZ4	14	230/460	1.8	74.0	1.15	9.46	A, CN
	1800	D71C	192038.30	✓	379	C71T17FZ18	14	230/460	1.9	71.5	1.15	9.65	A, CN
3/4-0.55	1200	D80C	192039.00	D	619	C80T11FZ5	19	230/460	1.9	72.0	1.15	11.11	A, CN
	1200	D80C	192039.30	✓	619	C80T11FZ26	19	230/460	2.2	61.8	1.15	11.61	A, CN
	3600	D71C	192047.00	D	385	C71T34FZ4	15	230/460	2.4	74.0	1.15	9.46	A, CN
	3600	D71C	192047.30	✓	385	C71T34FZ18	15	230/460	2.3	74.5	1.15	9.65	A, CN
	1800	D80C	192048.00	D	413	C80T17FZ3	18	230/460	2.5	74.0	1.15	11.11	A, CN
1-0.75	1800	D80C	192048.30	✓	413	C80T17FZ17	18	230/460	2.5	73.9	1.15	11.61	A, CN
	1200	D80C	192049.00	D	658	C80T11FZ6	22	230/460	2.7	72.0	1.15	11.11	A, CN
	1200	D80C	192049.30	✓	658	C80T11FZ27	22	230/460	3.0	63.0	1.15	11.61	A, CN
	3600	D80C	192057.00	D	422	C80T34FZ3	21	230/460	2.8	75.5	1.15	11.11	A, CN
	3600	D80C	192057.30	✓	422	C80T34FZ17	21	230/460	3.1	76.5	1.15	11.61	A, CN
1 1/2-1.1	1800	D80C	192058.00	D	443	C80T17FZ4	26	230/460	3.2	80.0	1.15	11.11	A, CN
	1800	D80C	192058.30	✓	443	C80T17FZ18	26	230/460	3.2	73.6	1.15	11.61	A, CN
	1200	D90SC	192212.00	D	797	C80T11FZ15	35	230/460	3.2	82.5	1.15	12.83	A, CN
	1200	D90SC	192212.30	✓	797	C80T11FZ21	35	230/460	3.3	82.5	1.15	13.39	A, CN
	3600	D80C	192067.00	D	482	C80T34FZ4	27	230/460	4.0	84.0	1.15	11.11	A, CN
2-1.5	3600	D80C	192067.30	✓	482	C80T34FZ18	27	230/460	4.3	77.9	1.15	11.61	A, CN
	1800	D90SC	192204.00	D	566	C90T17FZ15	37	230/460	4.2	86.5	1.15	12.61	A, CN
	1800	D90SC	192204.30	✓	566	C90T17FZ27	37	230/460	3.9	86.5	1.15	13.39	A, CN
	3600	D90SC	192213.00	D	615	C90T34FZ17	33	230/460	5.0	85.5	1.15	12.61	A, CN
	3600	D90SC	192213.30	✓	615	C90T34FZ25	33	230/460	5.0	85.5	1.15	13.39	A, CN
2-1.5	1800	D90LC	192207.00	D	630	C90T17FZ18	38	230/460	5.4	87.5	1.15	12.61	A, CN
	1800	D90LC	192207.30	✓	630	C90T17FZ28	38	230/460	5.3	86.6	1.15	13.39	A, CN
	1200	DF100LC	193358.60	✓	1,086	C100T11FZ22	82	230/460	6.0	88.5	1.15	14.97	C, CN

Green items are Premium Efficient

♥ Note listing on inside back flap

D = Items to be discontinued when inventory is depleted

Continued On Next Page

Note: Aluminum motors have removable feet for round-body applications.

Larger HP B3 Foot-Mounted metric motors on page 282 can be converted to B3/B5 Flange-Mount by installing B5 Flange Kits.

Specifications are subject to change without notice



View On-line Technical Information





AC Metric (IEC) Motors - B3 / B14 Flange - Three Phase - Rigid Base

Three Phase - TEFC - B3 / B14 Flange - Rigid Base - IP55

HP/ kW	SYN RPM 60 Hz	IEC Frame	Catalog Number	Stock	List Price	Model Number	App. Wgt. (lbs)	Voltage	F. L. Amps @ 230 V	% F. L. Eff.	Service Factor	"C" Dim. (Inches)	♥Notes
3-2.2	3600	D90LC	192214.00	D	890	C90T34FZ18	39	230/460	7.2	87.5	1.15	12.61	A, CN
	3600	D90LC	192214.30	√	890	C90T34FZ26	39	230/460	7.3	86.5	1.15	13.39	A, CN
	1800	DF100LC	193359.60	√	1,053	C100T17FZ45	84	230/460	8.0	90.2	1.15	14.97	C, CN
4-3	1200	DF112MC	193360.60	√	1,486	C112T11FZ23	84	230/460	9.6	89.5	1.15	15.76	C, CN
	3600	DF100LC	193361.60	√	1,116	C100T34FZ22	71	230/460	9.2	88.5	1.15	14.97	C, CN
	1800	DF100LC	193362.60	√	1,133	C100T17FZ46	84	230/460	10.0	89.5	1.15	14.97	C, CN
5 1/2-4	1200	DF132SC	193363.60	√	1,817	C132T11FZ64	154	230/460	12.4	89.5	1.15	18.72	C, CN
	3600	DF112MC	193364.60	√	1,405	C112T34FZ26	104	230/460	12.6	88.5	1.15	15.76	C, CN
	1800	DF112MC	193365.60	√	1,361	C112T17FZ23	104	230/460	14.0	89.5	1.15	15.76	C, CN
7 1/2-5.5	1200	DF132MC	193366.60	√	2,070	C132T11FZ65	176	230/460	17.0	89.5	1.15	20.29	C, CN
	3600	DF132SC	193367.60	√	1,775	C132T34FZ49	152	230/460	18.0	89.5	1.15	18.72	C, CN
	1800	DF132SC	193368.60	√	1,775	C132T17FZ47	150	230/460	18.4	91.7	1.15	18.72	C, CN
10-7.5	1200	DF132MC	193369.60	√	2,448	C132T11FZ66	180	230/460	21.6	91.0	1.15	20.29	C, CN
	3600	DF132SC	193370.60	√	1,895	C132T34FZ50	163	230/460	24.0	90.2	1.15	18.72	C, CN
	1800	DF132MC	193371.60	√	2,077	C132T17FZ48	174	230/460	24.0	91.7	1.15	20.29	C, CN
15-11	1200	DF160MC	193372.60	√	3,298	C160T11FZ43	251	230/460	28.8	92.1	1.15	23.64	C, CN
	3600	DF160MC	193373.60	√	3,125	C160T34FZ65	260	230/460	35.0	91.0	1.15	23.64	C, CN
	1800	DF160MC	193374.60	√	3,125	C160T17FZ47	264	230/460	37.0	92.4	1.15	23.64	C, CN
20-15	1200	DF160LC	193375.60	√	4,122	C160T11FZ44	330	230/460	40.0	91.7	1.15	25.41	C, CN
	3600	DF160MC	193376.60	√	3,572	C160T34FZ66	269	230/460	47.0	91.0	1.15	23.64	C, CN
	1800	DF160LC	193377.60	√	3,768	C160T17FZ48	311	230/460	50.0	93.0	1.15	25.41	C, CN
25-18.5	3600	DF160LC	193378.60	√	4,294	C160T34FZ67	319	230/460	58.0	91.7	1.15	25.41	C, CN

Green items are Premium Efficient

♥ Note listing on inside back flap

D = Items to be discontinued when inventory is depleted

Note: Aluminum motors have removable feet for round-body applications.

Larger HP B3 Foot-Mounted metric motors on page 282 can be converted to B3/B5 Flange-Mount by installing B5 Flange Kits.

Specifications are subject to change without notice

View On-line Technical Information



IEC Metric Motors

575 Volt Metric Motors

AC Metric (IEC) Motors - B3 Flange - Three Phase - Rigid Base



Three Phase - TEFC - B3 Flange - Rigid Base - IP55

HP/ kW	SYN RPM 60 Hz	IEC Frame	Catalog Number	Stock	List Price	Model Number	App. Wgt. (lbs)	Voltage	F. L. Amps @ 575 V	% F. L. Eff.	Service Factor	"C" Dim. (Inches)	♥Notes
1/4-0.18	3600	D63	192088.00	D	273	C63T34FZ7	10	575	0.3	72.0	1.15	8.54	A, CN
	3600	D63	192088.30	✓	273	C63T34FZ19	10	575	0.4	65.5	1.15	8.35	A, CN
	1800	D63	192089.00	D	284	C63T17FZ4	11	575	0.4	68.0	1.15	8.54	A, CN
	1800	D63	192089.30	✓	284	C63T17FZ10	11	575	0.5	52.5	1.15	8.35	A, CN
1/3-0.25	3600	D63	192097.00	D	319	C63T34FZ10	11	575	0.4	74.0	1.15	8.54	A, CN
	3600	D63	192097.30	✓	319	C63T34FZ20	11	575	0.5	67.9	1.15	9.65	A, CN
	1800	D71	192098.00	D	332	C71T17FZ7	13	575	0.6	67.0	1.15	9.45	A, CN
	1800	D71	192098.30	✓	332	C71T17FZ19	13	575	0.6	65.6	1.15	9.65	A, CN
1/2-0.37	3600	D71	192106.00	D	341	C71T34FZ7	13	575	0.7	74.0	1.15	9.45	A, CN
	3600	D71	192106.30	✓	341	C71T34FZ19	13	575	0.7	67.3	1.15	9.65	A, CN
	1800	D71	192107.00	D	346	C71T17FZ10	14	575	0.7	74.0	1.15	9.45	A, CN
	1800	D71	192107.30	✓	346	C71T17FZ20	14	575	0.8	71.5	1.15	9.65	A, CN
3/4-0.56	3600	D71	192115.00	D	356	C71T34FZ10	15	575	0.9	74.0	1.15	9.45	A, CN
	3600	D71	192115.30	✓	356	C71T34FZ20	15	575	0.9	74.5	1.15	11.61	A, CN
	1800	D80	192116.00	D	376	C80T17FZ7	18	575	1.0	73.0	1.15	11.10	A, CN
	1800	D80	192116.30	✓	376	C80T17FZ19	18	575	0.9	73.9	1.15	11.61	A, CN
1-0.75	3600	D80	192124.00	D	403	C80T34FZ7	21	575	1.1	75.5	1.15	11.10	A, CN
	3600	D80	192124.30	✓	403	C80T34FZ19	21	575	1.3	76.5	1.15	11.61	A, CN
	1800	D80	192125.00	D	412	C80T17FZ10	26	575	1.4	82.5	1.15	11.10	A, CN
	1800	D80	192125.30	✓	412	C80T17FZ20	26	575	1.3	73.6	1.15	11.61	A, CN
1 1/2-1.1	3600	D80	192133.00	D	447	C80T34FZ10	27	575	1.6	82.5	1.15	11.10	A, CN
	3600	D80	192133.30	✓	447	C80T34FZ20	27	575	1.7	77.9	1.15	11.61	A, CN
	1800	D90S	192230.00	D	457	C90T17FZ19	37	575	1.8	86.5	1.15	12.83	A, CN
	1800	D90S	192230.30	✓	457	C90T17FZ30	37	575	1.6	86.5	1.15	13.20	A, CN
2-1.5	3600	D90S	192231.00	D	477	C90T34FZ19	33	575	2.2	86.5	1.15	12.83	A, CN
	3600	D90S	192231.30	✓	477	C90T34FZ27	33	575	2.0	86.5	1.15	13.20	A, CN
	1800	D90L	192232.00	D	492	C90T17FZ20	38	575	2.3	85.5	1.15	12.83	A, CN
	1800	D90L	192232.30	✓	492	C90T17FZ29	38	575	2.1	85.5	1.15	14.20	A, CN
3-2.2	3600	D90L	192233.00	D	685	C90T34FZ20	39	575	3.0	86.5	1.15	13.43	A, CN
	3600	D90L	192233.30	✓	685	C90T34FZ28	39	575	3.0	86.5	1.15	14.20	A, CN
	1800	DF100L	193379.60	✓	916	C100T17FZ47	84	575	3.2	89.5	1.15	16.34	C, CN
4-3	3600	DF100L	193380.60	✓	977	C100T34FZ23	71	575	3.1	88.5	1.15	16.34	C, CN
	1800	DF100L	193381.60	✓	994	C100T17FZ48	84	575	4.0	89.5	1.15	16.34	C, CN
	3600	DF112M	193382.60	✓	1,255	C112T34FZ27	104	575	5.1	88.5	1.15	16.14	C, CN
5 1/2-4	1800	DF112M	193383.60	✓	1,209	C112T17FZ24	104	575	5.6	89.5	1.15	16.14	C, CN
	3600	DF132S	193384.60	✓	1,573	C132T34FZ51	152	575	7.0	89.5	1.15	18.27	C, CN
7 1/2-5.5	1800	DF132S	193385.60	✓	1,573	C132T17FZ49	150	575	7.9	91.7	1.15	18.27	C, CN
	3600	DF132S	193386.60	✓	1,683	C132T34FZ52	163	575	9.6	90.2	1.15	18.27	C, CN
10-7.5	1800	DF132M	193387.60	✓	1,866	C132T17FZ50	174	575	9.6	91.7	1.15	19.76	C, CN

Green items are Premium Efficient

D = Items to be discontinued when inventory is depleted

Specifications are subject to change without notice

♥ Note listing on inside back flap

Continued On Next Page



View On-line Technical Information





Three Phase - TEFC - B3 Flange - Rigid Base - IP55

HP/ kW	SYN RPM 60 Hz	IEC Frame	Catalog Number	Stock	List Price	Model Number	App. Wgt. (lbs)	Voltage	F. L. Amps @ 230 V	% F. L. Eff.	Service Factor	"C" Dim. (Inches)	Notes
15-11	3600	DF160M	193388.60	√	2,727	C160T34FZ68	260	575	14.0	91.0	1.15	23.62	C, CN
	1800	DF160M	193389.60	√	2,727	C160T17FZ49	264	575	14.5	92.4	1.15	23.62	C, CN
20-15	3600	DF160M	193390.60	√	3,198	C160T34FZ69	269	575	18.4	91.0	1.15	23.62	C, CN
	1800	DF160L	193391.60	√	3,372	C160T17FZ50	311	575	20.0	93.0	1.15	25.39	C, CN
25-18.5	3600	DF160L	193392.60	√	3,893	C160T34FZ70	319	575	23.2	91.7	1.15	25.39	C, CN
	1800	DF180M	193393.60	√	4,285	C180T17FZ45	381	575	23.0	93.6	1.15	26.77	C, CN
30-22	3600	DF180M	193394.60	√	4,627	C180T34FZ21	355	575	27.4	91.7	1.15	26.77	C, CN
	1800	DF180L	193395.60	√	4,817	C180T17FZ46	427	575	28.0	93.6	1.15	28.27	C, CN
40-30	3600	DF200L	193396.60	√	6,586	C200T34FZ39	522	575	28.4	92.4	1.15	29.53	C, CN
	1800	DF200L	193397.60	√	7,091	C200T17FZ22	531	575	38.0	94.7	1.15	29.53	C, CN
50-37	3600	DF200L	193398.60	√	8,638	C200T34FZ40	546	575	45.0	93.0	1.15	29.53	C, CN
	1800	DF225S	193399.60	√	9,836	C225T17FZ22	632	575	47.5	94.5	1.15	31.97	C, CN

Green items are Premium Efficient

♥ Note listing on inside back flap

Specifications are subject to change without notice

View On-line Technical Information



IEC Metric Motors

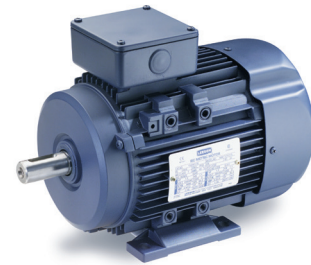
Metric Motor Kits - B5 & B14 Flanges

Specifications:

- Includes parts to convert B3 rigid motors to either a B5 or B14 flange.

B3 / B14 Flange - TEFC ICE Motors - IP55

IEC Frame	RPM	B5 Flange Kit	List Price	B14 Flange Kit	List Price
63	3600	175850.00	74	175851.00	66
63	3600	175850.30	74	175851.30	66
63	1800	175850.00	74	175851.00	66
63	1800	175850.30	74	175851.30	66
63	1200	175850.00	74	175851.00	66
63	1200	175850.30	74	175851.30	66
71	3600	175852.00	87	175853.00	71
71	3600	175852.30	87	175853.30	71
71	1800	175852.00	87	175853.00	71
71	1800	175852.30	87	175853.30	71
71	1200	175852.00	87	175853.00	71
71	1200	175852.30	87	175853.30	71
80	3600	175854.00	97	175855.00	81
80	3600	175854.30	97	175855.30	81
80	1800	175854.00	97	175855.00	81
80	1800	175854.30	97	175855.30	81
80	1200	175854.00	97	175855.00	81
80	1200	175854.30	97	175855.30	81
90	3600	175856.00	100	175857.00	89
90	3600	175856.30	100	175857.30	89
90	1800	175856.00	100	175857.00	89
90	1800	175856.30	100	175857.30	89
90	1200	175856.00	100	175857.00	89
90	1200	175856.30	100	175857.30	89
100	3600	175810.60	142	175817.60	125
100	1800	175810.60	142	175817.60	125
100	1200	175810.60	142	175817.60	125
112	3600	175811.60	151	175818.60	137
112	3600	175827.60Δ	151	175832.60Δ	137
112	1800	175811.60	151	175818.60	137
112	1800	175827.60Δ	151	175832.60Δ	137
112	1200	175810.60	142	175817.60	125
132	3600	175812.60	201	175819.60	184
132	3600	175828.60Δ	201	175833.60Δ	184
132	1800	175812.60	201	175819.60	184
132	1200	175812.60	201	175819.60	184
160	3600	175990.60	354	175991.60	352
160	3600	175829.60Δ	379	175834.60Δ	352
160	1800	175990.60	354	175991.60	352
160	1200	175990.60	354	175991.60	352
180	3600	175890.60	441		
180	3600	175830.60Δ	441		
180	1800	175890.60	441		
180	1200	175890.60	441		
200	3600	175994.60	613		
200	3600	175831.60Δ	613		
200	1800	175994.60	613		
200	1200	175994.60	613		
225	3600	175995.60	785		
225	1800	175995.60	785		
225	1200	175995.60	785		
250	1200	175619.60	785		



Note: "-30" Kit Numbers to be used with the -30 Series IEC AL frame motors

Δ For IEC motors built after June 2011

Includes parts to convert a B3 rigid mount motor to either a B5 or B14 Flange

Specifications are subject to change without notice



IEC Metric Motors

Reduced Diameter Metric Flanges

Specifications:

Used to convert a Metric motor to have a reduced B14 flange mount. Example, you can change an 80 frame IEC motor to have a 71 frame B14 flange. Comes complete with necessary hardware and oil seals for easy field mounting



IEC Motor Frame	B14 Flange Frame	Catalog Number	List Price
63	56	175900.00	64
71	63	175901.00	71
80	71	175902.00	81
90	80	175903.00	84

IEC Motors

DC Motors

Gearmotors

AC / DC Controls

Accessories / Kits

Mods / Factory Options

X-Ref / Index

Tech Information

Terms / Warnings



IEC Metric Motors

IEC Washguard® All-Stainless AC Motors



IEC B5 Flange - Round Body

Three Phase - Totally Enclosed - B5 Flange Less Base

HP/ kW	SYN RPM 60 Hz	IEC Frame	Catalog Number	Stock	List Price	Model Number	App. Wgt. (lbs)	Voltage	F. L. Amps @ 230 V	% F. L. Eff.	Service Factor	"C" Dim. (Inches)	♥Notes
1/3-0.25	1800	71	103403.00	✓	1,414	CZ4T17VZ16	30	208-230/460	1.3	70.5	1.15	9.87	S, US, 12
	1800	80	103405.00	✓	1,414	CZ4T17VZ17	30	208-230/460	1.3	70.5	1.15	9.87	S, US, 12
1/2-0.37	1800	71	103404.00	✓	1,462	CZ4T17VZ6	32	208-230/460	1.6	76.0	1.15	11.62	S, US, 12
	1800	80	103406.00	✓	1,462	CZ4T17VZ7	32	208-230/460	1.6	76.0	1.15	11.62	S, US, 12
3/4-0.55	1800	80	103407.00	✓	1,550	CZ4T17WZ9	38	208-230/460	2.3	77.0	1.15	12.26	S, US, 13
1- 0.75	1800	90	117516.00	✓	1,647	CZ6T17WC44	45	208-230/460	3.1	82.5	1.15	13.13	S, US, 13
1.5 - 1.1	1800	90	117517.00	✓	1,738	CZ6T17WC46	49	208-230/460	4.4	84.0	1.15	13.63	S, US, 13
2 - 1.5	1800	90	117518.00	✓	1,930	CZ6T17WC45	49	208-230/460	5.6	84.0	1.15	13.63	S, US, 13

Note 12 - TENV

♥ Note listing on inside back flap

Specifications are subject to change without notice

IEC B14 Flange - Round Body

Three Phase - Totally Enclosed - B14 Flange Less Base

HP/ kW	SYN RPM 60 Hz	IEC Frame	Catalog Number	Stock	List Price	Model Number	App. Wgt. (lbs)	Voltage	F. L. Amps @ 230 V	% F. L. Eff.	Service Factor	"C" Dim. (Inches)	♥Notes
1/3-0.25	1800	71	103395.00	✓	1,414	CZ4T17VZ13	30	208-230/460	1.3	70.5	1.15	9.83	S, US, 12
	1800	80	103397.00	✓	1,414	CZ4T17VZ14	30	208-230/460	1.3	70.5	1.15	9.72	S, US, 12
1/2-0.37	1800	71	103396.00	✓	1,462	CZ4T17VZ3	32	208-230/460	1.6	76.0	1.15	11.58	S, US, 12
	1800	80	103398.00	✓	1,462	CZ4T17VZ4	32	208-230/460	1.6	76.0	1.15	11.58	S, US, 12
3/4-0.55	1800	80	103399.00	C/A	1,550	CZ4T17WZ7	38	208-230/460	2.3	77.0	1.15	12.48	S, US, 13

Note 12 - TENV

♥ Note listing on inside back flap

C/A - Check Availability

Specifications are subject to change without notice

IEC B5 Flange - Rigid Base

Three Phase - Totally Enclosed - B5 Flange With Base

HP/ kW	SYN RPM 60 Hz	IEC Frame	Catalog Number	Stock	List Price	Model Number	App. Wgt. (lbs)	Voltage	F. L. Amps @ 230 V	% F. L. Eff.	Service Factor	"C" Dim. (Inches)	♥Notes
1/3-0.25	1800	80	103408.00	✓	1,438	CZ4T17VZ18	30	208-230/460	1.3	70.5	1.15	9.50	S, US, 12
1/2-0.37	1800	80	103409.00	✓	1,483	CZ4T17VZ8	32	208-230/460	1.6	76.0	1.15	12.75	S, US, 12
3/4-0.55	1800	80	103410.00	✓	1,581	CZ4T17WZ10	38	208-230/460	2.3	77.0	1.15	12.26	S, US, 13

Note 12 - TENV

♥ Note listing on inside back flap

Specifications are subject to change without notice

IEC B14 Flange - Rigid Base

Three Phase - Totally Enclosed - B14 Flange With Base

HP/ kW	SYN RPM 60 Hz	IEC Frame	Catalog Number	Stock	List Price	Model Number	App. Wgt. (lbs)	Voltage	F. L. Amps @ 230 V	% F. L. Eff.	Service Factor	"C" Dim. (Inches)	♥Notes
1/3-0.25	1800	80	103400.00	✓	1,462	CZ4T17VZ15	31	208-230/460	1.3	70.5	1.15	9.72	S, US, 12
1/2-0.37	1800	80	103401.00	✓	1,615	CZ4T17VZ5	33	208-230/460	1.6	76.0	1.15	11.58	S, US, 12
3/4-0.55	1800	80	103402.00	✓	1,673	CZ4T17WZ8	39	208-230/460	2.3	77.0	1.15	12.48	S, US, 13

Note 12 - TENV

♥ Note listing on inside back flap

Specifications are subject to change without notice

View On-line Technical Information



Courtesy of Steven Engineering, Inc. - (800) 258-9200 - sales@steveneng.com - www.stevenengineering.com



SCR Rated 90 & 180V - TEFC - C Face With Base

HP/ kW	Full Load RPM	IEC Frame	Catalog Number	Stock	List Price	Model Number	App. Wgt. (lbs)	DC Voltage	Control Volts AC Input	F.L. Amps @ 180 VDC	"C" Dim. (Inches)	♥Notes
1/3 - 0.25	1750	80D	109068.00	√	1,459	4D17VK27	44	180	230	1.9	12.81	S, US, 12
1/2 - 0.37	1750	80D	109071.00	√	1,705	4D17WK11	46	180	230	2.7	13.87	S, US, 13
3/4 - 0.55	1750	80D	109074.00	√	2,076	4D17WK15	48	180	230	3.7	15.37	S, US, 13
1 - 0.75	1750	80D	109077.00	√	2,408	4D17WK18	50	180	230	5.0	16.37	S, US, 13

Base is welded to frame and not removable.

♥ Note listing on inside back flap

Note 12 - TENV

Specifications are subject to change without notice

180 Volt - TEFC - C Face Less Base

HP/ kW	Full Load RPM	IEC Frame	Catalog Number	Stock	List Price	Model Number	App. Wgt. (lbs)	DC Voltage	Control Volts AC Input	F.L. Amps @ 180 VDC	"C" Dim. (Inches)	♥Notes
1/3 - 0.25	1750	80D	109081.00	√	1,427	4D17VC8	44	180	230	1.9	12.81	S, US, 12
1/2 - 0.37	1750	80D	109084.00	√	1,673	4D17WC4	46	180	230	2.7	13.87	S, US, 13
3/4 - 0.55	1750	80D	109087.00	√	2,044	4D17WC7	48	180	230	3.7	15.37	S, US, 13
1 - 0.75	1750	80D	109090.00	√	2,378	4D17WC10	50	180	230	5.0	16.37	S, US, 13

Note 12 - TENV

♥ Note listing on inside back flap

Specifications are subject to change without notice

Flange And Face Kits for Stainless Steel DC Metric (IEC) Frame Motors

The modular design concept of LEESON's other metric DC motors has been applied to the all-stainless metric motors. Any flange or face kit can mount on any motor. This allows the greatest flexibility from the smallest inventory of motors.

B5 Flange Kits (For Stainless DC Metric Motors)

IEC Frame	Catalog Number	List Price	App. Wgt. (lbs)	AK Register (mm)	BF Hole (mm)	AJ Bolt Circle (mm)	BD Flange Dia. (mm)
71	175593.00	184	2	110	9	130	160
80	175594.00	222	3	130	12	165	200
90S/90L	175594.00	222	3	130	12	165	200
100L/112M	175595.00	346	5	180	15	215	250

Specifications are subject to change without notice

B14 Flange Kits (For Stainless DC Metric Motors)

IEC Frame	Catalog Number	List Price	App. Wgt. (lbs)	AK Register (mm)	BF Hole (mm)	AJ Bolt Circle (mm)	BD Flange Dia. (mm)
71	175596.00	140	1	70	6	85	105
80	175597.00	140	1	80	6	100	120
90S/90L	175598.00	381	1	95	6	115	140
100L/112M	175599.00	346	2	110	6	130	160

Specifications are subject to change without notice

View On-line Technical Information



IEC Motors

DC Motors

Gearmotors

AC / DC Controls

Accessories / Kits

Molds / Factory Options

X-Ref / Index

Tech Information

Terms / Warnings

IEC Metric Motors

DC Metric Motors

Metric (IEC) Frame - SCR Rated - IP54



Application Notes:

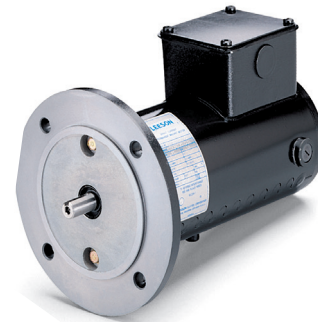
Please note that one or more of the mounting kits must be used with IEC motors of these frame sizes. See listing on next page for B5 flange and B14 face kits. B3 rigid base kits are listed below.

General Specifications:

- Built to IEC 34-1 electrical and mechanical standards
- IEC 63 and smaller frames supplied with an integral B5 Flange or B14 face
- Optional B3 Rigid base kit available
- IEC 71 frame and larger can be field modified for B3 Rigid Base, B5 Flange, or B14 face construction using conversion kits
- Tachometer mounting kits available for 71 and 80 frames only

Features:

- Cast aluminum conduit box
- Terminal board provided for connections
- All metric fasteners
- Easy brush access for field service
- Oversize brushes for extended life
- High strength rolled steel frame
- Die cast aluminum endshields with steel bearing inserts
- Permanently lubricated sealed ball bearings
- Reversible rotation
- Simple 2 lead connection
- Convenient wiring access
- Tachometer mounting kits available for 71 and 80 frames only



180 Volts - Totally Enclosed - B5 Flange

kW/HP	Full Load RPM	IEC Frame	Catalog Number	Stock	List Price	Model Number	App. Wgt. (lbs)	DC Voltage	Control Volts AC Input	F.L. Amps @ 180 VDC	"C" Dim. (Inches)	♥Notes
0.06/1/12	1750	56	M1130146.00	C/A	462	CIM34D18ND1	8	180	230	0.5	6.24	S, US, 12
0.09/1/8	3000	56	M1130150.00	√	462	CIM34D30ND1	9	180	230	0.7	6.74	S, US, 12
	1750	56	M1130147.00	√	495	CIM34D18ND2	10	180	230	0.7	7.55	S, US, 12
0.12/1/6	3000	56	M1130151.00	√	479	CIM34D30ND2	9	180	230	0.9	7.55	S, US, 12
	1750	63	M1130148.00	√	567	CIM34D18FD1	7	180	230	0.9	8.30	S, US, 13
0.18/1/4	3000	63	M1130152.00	√	523	CIM34D30ND3	11	180	230	1.3	8.78	S, US, 12
	1750	63	M1130149.00	√	608	CIM34D18FD2	13	180	230	1.3	9.50	S, US, 13
0.25/1/3	3000	63	M1130153.00	√	580	CIM34D30FD1	11	180	230	1.7	9.50	S, US, 13

Note 12 - TENV

These motors have accommodations for B3 base mountings with the kits - see page 296

C/A - Check Availability

Specifications are subject to change without notice

♥ Note listing on inside back flap



View On-line Technical Information





IEC Metric Motors

DC Metric Motors

Metric (IEC) Frame - SCR Rated - IP54



180 volts - Totally Enclosed - B14 Flange

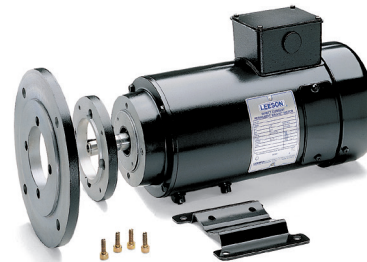
HP/kW	Full Load RPM	IEC Frame	Catalog Number	Stock	List Price	Model Number	App. Wgt. (lbs)	DC Voltage	Control Volts AC Input	F.L. Amps @ 180 VDC	"C" Dim. (Inches)	♥Notes
0.06/1/12	3000	56	M1110024.00	✓	413	980.542	6	180	230	0.4	6.34	S, US, 12
	1750	56	M1130136.00	✓	462	CIM34D18NC5	8	180	230	0.5	6.24	S, US, 12
0.09/1/8	3000	56	M1130140.00	✓	462	CIM34D30NC1	9	180	230	0.7	6.74	S, US, 12
	1750	56	M1130137.00	✓	495	CIM34D18NC6	14	180	230	0.7	7.55	S, US, 12
0.12/1/6	3000	56	M1130141.00	✓	479	CIM34D30NC2	10	180	230	0.9	7.55	S, US, 12
	1750	63	M1130138.00	✓	567	CIM34D18FC1	8	180	230	0.9	8.30	S, US, 13
0.18/1/4	3000	63	M1130142.00	✓	523	CIM34D30NC3	10	180	230	1.3	8.78	S, US, 12
	1750	63	M1130139.00	✓	608	CIM34D18FC2	10	180	230	1.3	9.50	S, US, 13
0.25/1/3	3000	63	M1130143.00	✓	580	CIM34D30FC1	10	180	230	1.7	9.50	S, US, 13

Note 12 - TENV

Except for M1110024.00, these motors have accommodations for B3 base mountings with the kits - see page 296

Specifications are subject to change without notice

♥ Note listing on inside back flap



TEFC - SCR Rated 180 Volts - Round Body

HP/kW	Full Load RPM	IEC Frame	Catalog Number	Stock	List Price	Model Number	App. Wgt. (lbs)	DC Voltage	Control Volts AC Input	F.L. Amps @ 180 VDC	"C" Dim. (Inches)	♥Notes
0.25/1/3	1750	71	098014.00	✓	605	42D17FT1	23	180	230	1.7	11.28	S, US
0.37/1/2	3000	71	098016.00	✓	646	42D34FT1	21	180	230	2.5	10.78	S, US
	1750	71	098015.00	✓	686	42D17FT2	26	180	230	2.5	11.78	S, US
0.55/3/4	3000	71	098017.00	✓	743	42D34FT2	24	180	230	3.6	11.78	S, US
	1750	80	108369.00	✓	849	4D17FT1	34	180	230	3.5	14.64	S, US
0.75/1	3000	80	108372.00	✓	849	4D34FT1	45	180	230	4.9	14.64	S, US
	1750	80	108370.00	✓	1,049	4D17FT2	48	180	230	4.6	17.14	S, US
1.1/11/2	3000	80	108373.00	✓	940	4D34FT2	47	180	230	7.1	16.14	S, US
	1750	80	108371.00	✓	1,384	4D17FT3	52	180	230	7.0	17.14	S, US
	1750	90L	118007.00	✓	2,061	C16D17FT1	64	180	230	7.5	18.97	S, US
1.5/2	3000	90L	118009.00	✓	2,061	C16D34FT1	72	180	230	10.0	18.47	S, US
	1750	90L	118008.00	✓	2,473	C16D17FT2	84	180	230	9.5	20.47	S, US
2.2/3	3000	90L	118010.00	✓	2,473	C16D34FT2	82	180	230	16.0	19.47	S, US
	1750	112M	118014.00	✓	3,452	C16D17FK1	90	180	230	14.0	21.79	S, US

IMPORTANT: These round body motors require either a B3 rigid base, B14 face or B5 flange kit - see page 296. Catalog number 118014.00 comes complete with IEC 112 B14 face and B3 foot; shaft diameter is 24mm.

Specifications are subject to change without notice

♥ Note listing on inside back flap

View On-line Technical Information



IEC Metric Motors

Metric (IEC) Frame - SCR Rated

(For DC Metric Motors Only)

All motors are stocked with provisions to accommodate B3 foot mountings with the packages noted below.

B3 Foot Mounting Kits

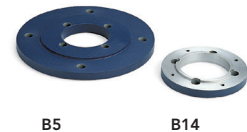
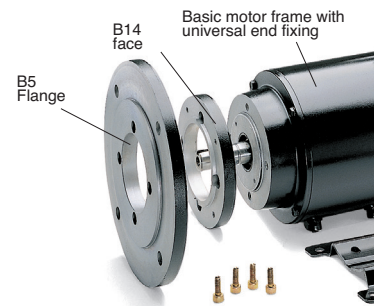
IEC Frame	Catalog Number	List Price
56	175142.00	68
63	175143.00	68
71	175144.00	74
80	175145.00	80
80	175784.00†	80
90	175146.00	51

† For endshield mounted brush cover motors

Flange Kits

Flange and Face Kits for DC Metric (IEC) Frame Motors

An advantage of LEESON'S modular design concept is the possible use of a different diameter B5 flange or B14 face than is normally assigned to a motor by IEC dimensional standards. This flexibility makes it possible to accommodate a wide variety of gear reducers, pumps and similar close coupled motor mounted loads.



B5 Flange Kits (For DC Metric Motors Only)

IEC Frame	Catalog Number	List Price	App. Wgt. (lbs)	AK Register (mm)	BF Hole (mm)	AJ Bolt Circle (mm)	BD Flange Dia. (mm)
71	175106.00	82	2	110	9	130	160
80	175108.00	82	3	130	12	165	200
90S/90L	175108.00	82	3	130	12	165	200
100L/112M	175137.00	200	5	180	15	215	250

Specifications are subject to change without notice

B14 Face Kits (For DC Metric Motors Only)

IEC Frame	Catalog Number	List Price	App. Wgt. (lbs)	AK Register (mm)	BF Hole (mm)	AJ Bolt Circle (mm)	BD Flange Dia. (mm)
71	175107.00	82	1	70	6	85	105
80	175109.00	82	1	80	6	100	120
90S/90L	175129.00	82	1	95	6	115	140
100L/112M	175130.00	200	2	110	6	130	160

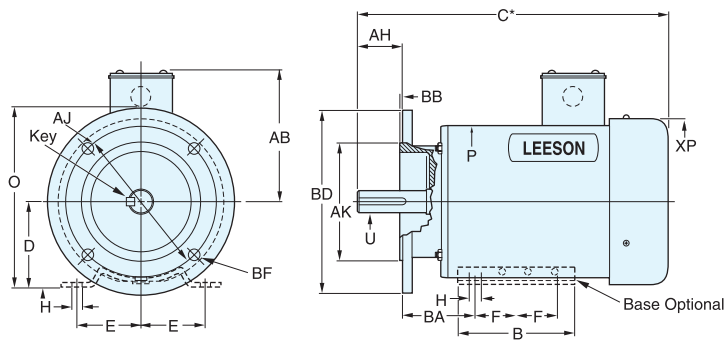
Specifications are subject to change without notice



IEC Metric Motors

DC Metric Motors

Metric (IEC) Frame • SCR Rated



*For overall length, see motor listing.

IEC Frame Dimensions (Millimeters)

IEC Frame	Mounting					Shaft							B14 Face/B5 Flange					General			
	2E	2F	BA	D	H	U	AH [◇]	KEY	S	R	TAP	AJ	AK	BD	BF	BB	AB	XP	B	O	
56	90	71	36	56	6	9	20	15	3	7.0	M3	65 100	50 80	80 120	M5 7	2.5 2.5	83	96	90	99	
63	100	80	40	63	7	11	23	19	4	9.0	M4	75 115	60 95	90 140	M5 9	2.5 3.0	116	96	96	108	
71	112	90	45	71	7	14	30	26	5	11.5	M5	85 130	70 110	105 160	M6 9	2.5 3.5	114	130	105	132	
80	125	100	50	80	10	19	40	33	6	16.0	M6	100 165	80 130	120 200	M6 12	3.0 3.5	124	149	127	151	
90S	140	100	56	90	10	24	50	36	8	20.5	M8	115 165	95 130	140 200	M8 12	3.0 3.5	135	182	152	173	
90L	140	125	56	90	10	24	50	36	8	20.5	M8	115 165	95 130	140 200	M8 12	3.0 3.5	135	182	152	173	
100L	160	140	63	100	12	28	60	41	8	24.5	M10	130 215	110 180	160 250	M8 15	3.5 4.0	135	182	176	173	
112M	190	140	70	112	12	28	60	41	8	24.5	M10	130 215	110 180	160 250	M8 15	3.5 4.0	162	231	176	225	

◇ Without face or flange AH shaft dimension is 12mm longer.
Specifications are subject to change without notice



IEC Metric Motors

DC Metric Motors

Low Voltage - DC Metric - IP 54

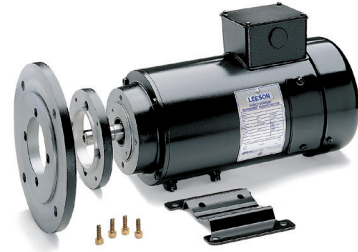


General Specifications:

- Built to IEC 34-1 electrical and mechanical standards
- IEC 63 and smaller frames supplied with an integral B5 Flange or B14 face
- Optional B3 Rigid base kit available
- IEC 71 frame and larger can be field modified for B3 Rigid Base, B5 Flange, or B14 face construction using conversion kits
- Tachometer mounting kits available for 71 and 80 frames only

Features:

- Cast aluminum conduit box
- Terminal board provided for connections
- All metric fasteners
- Easy brush access for field service
- Oversize brushes for extended life
- High strength rolled steel frame
- Die cast aluminum endshields with steel bearing inserts
- Permanently lubricated sealed ball bearings
- Reversible rotation
- Simple 2 lead connection
- Convenient wiring access
- Tachometer mounting kits available for 71 and 80 frames only



24 Volt - TEFC/TENV - Modular Design

HP/kW	Full Load RPM	IEC Frame	Catalog Number	Stock	List Price	Model Number	App. Wgt. (lbs)	DC Voltage	F. L. Amps DC	"C" Dim. (Inches)	♥ Notes
1/12/0.06	3000	56	M1110025.00	√	377	980.543	5	24	3.3	5.34	S, US, 12, >
	1750	56	M1110026.00	√	425	980.544	6	24	3.4	6.34	S, US, 12, >
1/4/0.18	3000	63	M1130206.00	√	480	CIM34D30FD2	13	24	11.0	7.75	S, US, □
	3000	63	M1130296.00	√	480	CIM34D30FC7	9	24	11.0	7.75	S, US, >
	1750	63	M1130207.00	√	549	CIM34D18FD6	13	24	10.0	8.75	S, US, □
	1750	63	M1130297.00	√	549	CIM34D18FC10	9	24	10.0	8.75	S, US, >
	1750	71	098065.00	√	658	42D17FT6	19	24	11.0	10.77	S, US
1/2/0.37	3000	71	098066.00	√	680	42D34FT7	23	24	20.0	11.27	S, US
	1750	71	098067.00	√	720	42D17FT7	23	24	20.0	12.27	S, US
1/0.75	3000	80	108456.00	√	791	4D34FT5	33	24	40.0	14.14	S, US, 35
	1750	80	108455.00	√	924	4D17FT6	52	24	39.0	14.64	S, US, 35
11/2/1.1	3000	80	108457.00	√	878	4D34FT6	33	24	65.0	15.64	S, US, 35
2/1.5	3000	80	108458.00	√	1010	4D34FT7	43	24	78.0	17.14	S, US, 35

Note 12 - TENV

Note 35 - Terminal bolts at 12:00

IMPORTANT: IEC 71 and 80 frame motors in this chart are round body and require either B14 face, B5 flange or B3 foot from kits shown on page 296.

□ Dedicated B5 Flange

> Dedicated B14 Face

Specifications are subject to change without notice

♥ Note listing on inside back flap



View On-line Technical Information





IEC Metric Motors

DC Metric Motors

Low Voltage Commercial Duty Metric (IEC) Frame Motors

Features:

- Specially designed low voltage DC for use in OEM applications
- Combination of features and low cost make these ideal for many uses
- IP44(TENV) enclosure
- Dedicated B14 face mount
- Rated S1 for continuous duty
- Zinc plated steel frame construction



12, 24 & 90 Volt - TENV - B14 Mount

HP	Full Load RPM	IEC Frame	Catalog Number	Stock	List Price	Model Number	App. Wgt. (lbs)	DC Voltage	F. L. Amps DC	♥Notes
1/15	3000	56	980.159	C/A	192	980.159	2.3	12	6.4	S, US
	3000	56	980.143	C/A	192	980.143	2.3	24	3.2	S, US
	3000	56	980.549	C/A	184	980.549	2.3	90	0.8	S, US
1/8	3000	56	970.600	√	222	970.600	3.0	12	12.0	S, US
	3000	56	970.601	C/A	222	970.601	3.0	24	5.3	S, US
	3000	56	970.576	C/A	222	970.576	3.0	90	1.2	S, US
1/6	3000	56	970.620	√	240	970.620	3.5	12	13.1	S, US
	3000	56	970.621	C/A	240	970.621	3.5	24	6.8	S, US
	3000	56	970.577	C/A	228	970.577	3.5	90	1.6	S, US

C/A - Check Availability

♥ Note listing on inside back flap

Specifications are subject to change without notice

View On-line Technical Information

