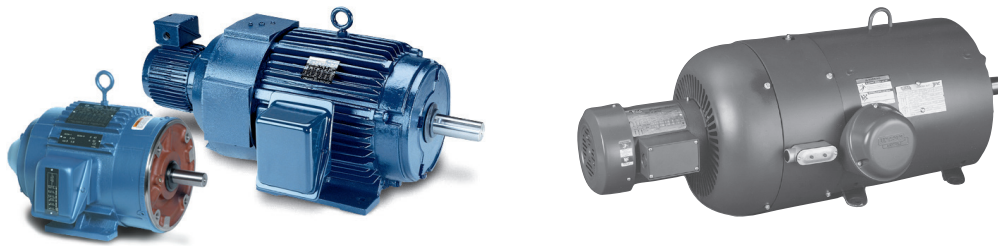


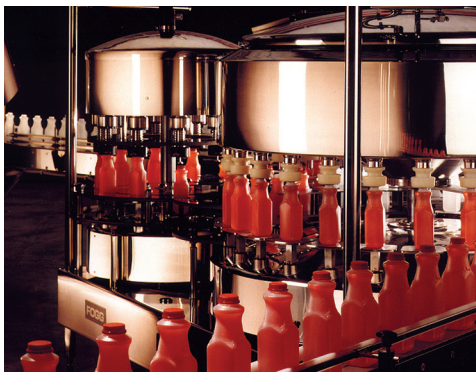
Inverter Duty Motors



- Ideally suited for IGBT power
- Inverter duty insulation system
- Over temperature protection
- Speedmaster® and CTAC® models – 2000 : 1 speed range
- Provisions for encoder mounting
- Lincoln Vector duty CTAC® models include 1024 ppr encoder
- Drip-proof and totally enclosed models available
- Precision balanced rotor assemblies
- Made in the U.S.A.
- 3-year warranty

Applications:

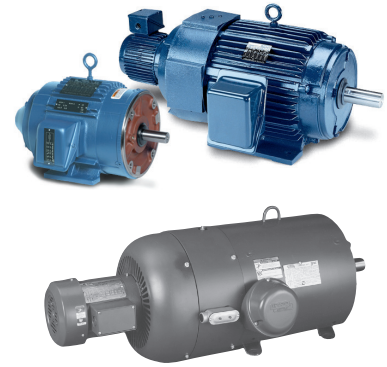
For use in constant torque (conveyors and machine tools) or variable torque (pumps and fans) variable speed applications within the stated speed range of the motor.



Inverter Duty Motors / Vector Duty Motors - 2000:1 Speed Range With Encoder mounting provisions

Features:

- Class H inverter rated insulation system
- Constant torque operation from 0 to base RPM rating with vector drives
- C Face with rigid base through 100 HP on LEESON models, Lincoln models through 5 HP
- TEBC designs utilize 3-phase blower motors
- Normally closed thermostats
- Cast iron, Steel and Aluminum frame construction - see Notes
- Provisions for Encoder feedback devices
- Precision balanced rotors
- UL recognized and CSA certified
- 3-year warranty



Three Phase - Totally Enclosed - Rigid Base & Rigid C Face

HP	SYN RPM 60 Hz	NEMA Frame	▼ Catalog Number	Stock	List Price	Model Number	App. Wgt. (lbs)	Voltage	F. L. Amps @ 230 V	Max. RPM	Service Factor	"C" Dim. (Inches)	Inverter speed range	♥ Notes
1/3	1800	56C	LM10336	✓	581	SRF4S0.33TC61Q20	26	230/460	1.6	4000	1.00	11.31	10 : 1	S, US, 13
1/2	1800	56C	LM24264	C/A	670	SRF4S0.5TC61Q20	24	230/460	2.4	4000	1.00	11.81	10 : 1	S, US, 13
	1200	56HC	LM10338	✓	795	SRF6S0.5TC61Q20	41	230/460	2.6	4000	1.00	12.32	10 : 1	S, US, 13
3/4	1800	56HC	LM10339	✓	755	SRF4S0.75TC61Q20	25	230/460	3.0	4000	1.00	11.82	10 : 1	S, US, 13
1	1800	56HC	LM10340	✓	1452	SRF4S1TC61Q20	62	230/460	3.6	4000	1.00	12.32	10 : 1	S, US, 13
	1800	143TC	810548.00	✓	1535	143THTN8037	61	230/460	3.0	5400	1.00	13.68	2000 : 1	C, US, 12
	1800	145TC	LM26359	✓	1471	SSN4S1TC61Q10	62	230/460	4.0	5000	1.00	15.39	2000 : 1	S, US, 12
	1200	182TC	LM06103	✓	1665	AAN6S1TC61Q10	78	230/460	3.6	4800	1.00	12.94	2000 : 1	A, US, 12
	900	184TC	LM06105	C/A	2077	AAN8S1TC61Q10	100	230/460	5.0	4800	1.20	16.57	2000 : 1	A, US, 12
1 1/2	1800	145TC	810547.00	✓	1691	145THTN8044	68	230/460	4.6	5400	1.00	14.68	2000 : 1	C, US, 12
	1800	145TC	LM26233	C/A	1633	SSN4S1.5TC61Q10	65	230/460	4.8	5000	1.00	15.39	2000 : 1	S, US, 12
2	1800	145TC	810546.00	✓	1766	145THTN8045	70	230/460	6.0	5400	1.00	14.68	2000 : 1	C, US, 12
	1800	182TC	LM06113	D	1773	AAN4S2TC61Q10	74	230/460	6.0	4800	1.00	15.57	2000 : 1	A, US, 12
	1800	182TC	LM33591	✓	1773	AAN4S2TC61Q10AP26	74	230/460	6.0	4800	1.00	14.97	2000 : 1	A, MX, 12
3	1800	182TC	811320.00	✓	2110	182THTS8051	110	230/460	8.0	5400	1.00	16.68	2000 : 1	C, US, 12
	1800	184TC	LM06119	✓	2061	AAN4S3TC61Q10	94	230/460	8.4	4800	1.00	16.57	2000 : 1	A, US, 12
	1200	215TC	LM06121	C/A	3288	AN5S3TC61Q10	135	230/460	12.0	4600	1.00	18.56	2000 : 1	A, US, 12
5	1800	184TC	811322.00	✓	2338	184THTS8058	118	230/460	13.4	5400	1.00	17.69	2000 : 1	C, US, 12
	1800	213TC	LM06125	✓	2365	AN4S5TC61Q10	115	230/460	15.6	4600	1.00	17.94	2000 : 1	A, US, 12
7 1/2	1800	213TC	810157.00	✓	3145	213THTS8070	180	230/460	21.0	4200	1.00	20.56	2000 : 1	C, US, 12
10	1800	215TC	810140.00	✓	3716	215THTS8070	290	230/460	26.0	4200	1.00	22.74	2000 : 1	C, US, 12

▼ LM Numbers are Lincoln Models

D - To be discontinued when inventory is depleted

Note 12 - TENV

C/A - Check Availability

Specifications are subject to change without notice

♥ Note listing on inside back flap

Continued On Next Page



View On-line Technical Information



Tech Information

Single Phase
ODP Motors

Single Phase
TEFC Motors

Three Phase
ODP Motors

Three Phase
TEFC Motors

Inverter Duty
Motors

Severe Duty
Motors

Inverter Duty Motors

Inverter Duty Motors / Vector Duty Motors - 2000:1 Speed Range With Encoder mounting provisions

Three Phase - Totally Enclosed - Rigid Base & Rigid C Face

HP	SYN RPM 60 Hz	NEMA Frame	▼ Catalog Number	Stock	List Price	Model Number	App. Wgt. (lbs)	Voltage	F. L. Amps @ 230 V	Max. RPM	Service Factor	"C" Dim. (Inches)	Inverter speed range	♥ Notes
15	1800	254TC	810066.00	✓	4455	254THTNA8060	320	230/460	39.0	4200	1.00	25.12	2000 : 1	C, US, 12
	1200	284TC	810068.00	✓	9409	284THTPA7090	440	230/460	40.0	3600	1.00	37.48	2000 : 1	C, US, 11
20	1800	256TC	810007.00	✓	6071	256THTNA8070	435	230/460	52.0	4200	1.00	27.13	2000 : 1	C, US, 12
	1200	286TC	810001.00	✓	11272	286THFPA8090	450	230/460	52.4	3600	1.00	37.48	2000 : 1	C, US, 11
25	1800	284TC	810011.00	C/A	7566	284THFPA8060	438	230/460	65.0	3600	1.00	37.48	2000 : 1	C, US, 11
	1200	324TC	810003.00	✓	13261	324THFPA8090	620	230/460	67.0	3600	1.00	40.41	2000 : 1	C, US, 11
30	1800	286TC	810015.00	✓	8331	286THFPA8040	520	230/460	74.0	4200	1.00	38.98	2000 : 1	C, US, 11
	1200	326TC	810005.00	✓	14594	326THFPA8090	700	230/460	82.0	3600	1.00	41.91	2000 : 1	C, US, 11
40	1800	324TC	810019.00	✓	10537	324THFPA8050	620	230/460	100.0	3600	1.00	40.41	2000 : 1	C, US, 11
	1200	364T	810096.00	✓	17599	364THFS18079	975	230/460	104.0	2700	1.00	42.78	2000 : 1	C, US, 11
50	1800	326TC	810023.00	✓	12429	326THFPA8040	640	230/460	120.0	3600	1.00	41.91	2000 : 1	C, US, 11
	1200	365TC	810097.00	C/A	21097	365THFS8397	1029	230/460	180.0	2700	1.00	43.78	2000 : 1	C, US, 11
60	1800	364TC	810027.00	✓	15997	364THFS8059	975	230/460	147.0	2700	1.00	42.78	2000 : 1	C, US, 11
	1200	404TC	810098.00	✓	23405	404THFS8378	1322	230/460	142.0	2700	1.00	46.72	2000 : 1	C, US, 11
75	1800	365TC	810031.00	✓	19182	365THFPA8074	1050	230/460	180.0	2700	1.00	43.78	2000 : 1	C, US, 11
	1200	405TC	810099.00	C/A	28517	405THFS8386	1350	230/460	180.0	2700	1.00	49.28	2000 : 1	C, US, 11
100	1800	405TC	810087.00	C/A	23369	405THFS8329	1400	230/460	230.0	2700	1.00	49.28	2000 : 1	C, US, 11
	1200	444TC	811367.00	C/A	32422	444THFN8389	2050	230/460	250.0	2700	1.00	52.72	2000 : 1	C, US, 11
125	1800	444T	811369.00	C/A	29471	444THFN8050	2000	460	138*	2700	1.00	52.72	2000 : 1	C, US, 11
150	1800	445T	811371.00	C/A	33437	445THFN8334	2321	460	170*	2700	1.00	54.72	2000 : 1	C, US, 11
200	1800	445T	810503.00	C/A	39580	445THFN8335	2450	460	230*	2700	1.00	54.72	2000 : 1	C, US, 11
250	1800	449T	811516.00	C/A	52438	449THFS8328	3210	460	295*	2700	1.00	63.21	2000 : 1	C, US, 11
300	1800	449T	811529.00	C/A	66471	449THFS8329	3410	460	330*	2700	1.00	63.21	2000 : 1	C, US, 11
350	1800	449T	811530.00	C/A	81079	449THFS8330	3520	460	385*	2700	1.00	63.21	2000 : 1	C, US, 11

* F.L. Amps at 460V

♥ Note listing on inside back flap

▼ LM Numbers are Lincoln Models

Note 11 - TEBC

Note 12 - TENV

C/A - Check Availability

Specifications are subject to change without notice



View On-line Technical Information



Encoder Kits For Speedmaster® 81,000 Series 2000:1 Motors

Description	Enclosure	Frame	Brand/Model	PPR	Catalog Number	List Price
Encoders						
Modular Mount, 5-15 VDC, with EPIC connector	TENV	143-256T	Northstar SL56	1024	E175927.00	3406
Shaft Mount, 5-26 VDC, with 10 pin connector	TENV	143-256T	Dynapar HS35	1024	E175928.00	2188
Shaft Mount, 5-26 VDC, with 10 pin connector	TENV	143-256T	BEI HS35	1024	E175929.00	2188
Shaft Mount, 5-26 VDC, with 10 pin connector	TENV	143-256T	Dynapar HS35	2048	E175930.00	2188
Shaft Mount, 5-26 VDC, with 10 pin connector	TENV	143-256T	BEI HS35	2048	E175931.00	2188
Modular Mount, 5-15 VDC (Encoder Conduit Box Required)	TEBC	284-449T	Northstar SL56	1024	E175921.00	3406
Shaft Mount, 5-26 VDC (Encoder Conduit Box Required)	TEBC	284-449T	Dynapar HS35	1024	E175922.00	2188
Shaft Mount, 5-26 VDC (Encoder Conduit Box Required)	TEBC	284-449T	BEI HS35	1024	E175923.00	2188
Shaft Mount, 5-26 VDC (Encoder Conduit Box Required)	TEBC	284-449T	Dynapar HS35	2048	E175924.00	2188
Shaft Mount, 5-26 VDC (Encoder Conduit Box Required)	TEBC	284-449T	BEI HS35	2048	E175925.00	2188
Conduit Box Required for all TEBC Units	--	--	--	--	ECB175926.00	243

Shipped separately for field installation.

Tech Information

Single Phase
ODP Motors

Single Phase
TEFC Motors

Three Phase
ODP Motors

Three Phase
TEFC Motors

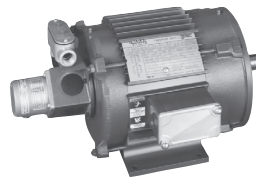
Inverter Duty
Motors

Severe Duty
Motors



Inverter Duty Motors

Vector Duty Motors - 2000:1 Speed Range With 1024 ppr Encoder



Features:

- Inverter duty insulation system
- Constant HP range at 2x base speed 56 - 256T frames
- Constant HP range at 1.5x base speed 284T - 445T frames
- Includes 1024 ppr encoder with differential line driver
- Normally enclosed thermostats
- Steel and aluminum frame construction - see Notes
- C Face designs through 10 HP
- Precision balanced rotors

Three Phase - Totally Enclosed - Rigid Base & Rigid C Face

HP	SYN RPM 60 Hz	NEMA Frame	▼ Catalog Number	Stock	List Price	Model Number	App. Wgt. (lbs)	Voltage	F. L. Amps @ 230 V	Max. RPM	Service Factor	"C" Dim. (Inches)	Inverter speed range	♥Notes
1/3	1800	56C	LM10346	√	2194	SRN4S0.33TC61Q15	43	230/460	1.0	5000	1.00	14.47	2000 : 1	S, US, 12
1/2	1800	56C	LM10347	√	2291	SRN4S0.5TC61Q15	43	230/460	1.6	5000	1.00	14.47	2000 : 1	S, US, 12
3/4	1800	56HC	LM10349	C/A	2369	SRN4S0.75TC61Q15	54	230/460	2.6	5000	1.00	15.97	2000 : 1	S, US, 12
1	1800	56HC	LM10350	C/A	3231	SRN4S1TC61Q15	54	230/460	3.2	5000	1.00	15.97	2000 : 1	S, US, 12
	1800	145TC	LM26109	C/A	3231	SSN4S1TC61Q15	82	230/460	3.0	5000	1.00	16.03	2000 : 1	S, US, 12
1.5	1800	145TC	LM26278	C/A	3471	SSN4S1.5TC61Q15	85	230/460	4.8	5000	1.00	17.03	2000 : 1	S, US, 12
2	1800	182TC	LM03987	√	3576	AAN4S2TC61Q15	98	230/460	6.0	4800	1.00	18.34	2000 : 1	A, US, 12
3	1800	184TC	LM03995	√	3869	AAN4S3TC61Q15	110	230/460	8.4	4800	1.00	19.34	2000 : 1	A, US, 12
5	1800	213TC	LM04003	C/A	4173	AAN4S5TC61Q15	115	230/460	15.6	4600	1.00	21.14	2000 : 1	A, US, 12
7.5	1800	215TC	LM31463	C/A	4959	AN4S7.5TC61Q15	155	230/460	21.0	4600	1.00	23.48	2000 : 1	A, US, 12
10	1800	256TC	LM30572	C/A	5219	AN4S10TC61Q15	235	230/460	27.0	4400	1.00	—	2000 : 1	A, US, 12
25	1800	284T	LM03189	D	7697	SB4H25T61Q15	350	230/460	62.0	4200	1.00	40.69	2000 : 1	S, US, 11
	1800	284T	811639.00	C/A	7697		438	230/460	65.0	3600	1.00	37.48	2000 : 1	C, US, 11
30	1800	286T	LM03237	D	8583	SB6H30T61Q15	420	230/460	74.0	4200	1.00	—	2000 : 1	S, US, 11
	1800	286T	811640.00	C/A	8583		520	230/460	74.0	4200	1.00	38.98	2000 : 1	C, US, 11
40	1800	324T	LM03285	C/A	10947	SB4H40T61Q15	550	230/460	98.0	4000	1.00	43.41	2000 : 1	S, US, 11
50	1800	326T	LM03333	C/A	12075	SB4H50T61Q15	550	230/460	—	4000	1.00	—	2000 : 1	S, US, 11
60	1800	364T	LM03377	C/A	13854	SB4H60T61YQ15	690	230/460	—	3800	1.00	—	2000 : 1	S, US, 11
75	1800	365T	LM03425	C/A	16011	SB4P75T61YQ15	740	230/460	180.0	3800	1.00	49.29	2000 : 1	S, US, 11
100	1800	405T	LM03473	C/A	23295	SB4H100T61YQ15	1000	230/460	240.0	3600	1.00	53.23	2000 : 1	S, US, 11
125	1800	444T	LM03517	C/A	30391	SB4H125T64YQ15	1290	460	—	3000	1.00	—	2000 : 1	S, US, 11

* F.L. Amps at 460V

♥ Note listing on inside back flap

▼ LM Numbers are Lincoln Models

Note 11 - TEBC

Note 12 - TENV

C/A - Check Availability

D - To be discontinued when inventory is depleted

Specifications are subject to change without notice



View On-line Technical Information



Inverter Duty Motors - 4 :1 Speed Range - Totally Enclosed

Tech Information

Single Phase
ODP Motors

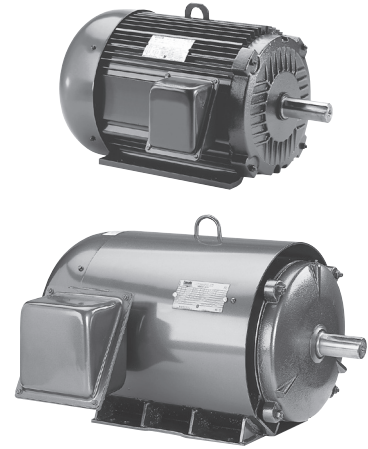
Single Phase
TEFC Motors

Three Phase
ODP Motors

Three Phase
TEFC Motors

Inverter Duty
Motors

Severe Duty
Motors



Features:

- Inverter duty insulation system
- Constant HP range at 2x base speed 56 - 256T frames
- Constant HP range at 1.5x base speed 284T - 445T frames
- No mounting available for encoder devices
- Normally closed thermostats
- Steel and aluminum frame construction - see notes
- Precision balanced rotors

Three Phase - Totally Enclosed - Rigid Base

HP	SYN RPM 60 Hz	NEMA Frame	▼ Catalog Number	Stock	List Price	Model Number	App. Wgt. (lbs)	Voltage	F. L. Amps @ 230 V	Max. RPM	Service Factor	% F.L. Eff.	"C" Dim. (Inches)	Inverter speed range	♥Notes
1	1800	56	LM22660	✓	722	SRF4S1T61Q40	28	230/460	3.6	4000	1.00	78.5	12.32	4:1	S, US
	1800	143T	LM26097	C/A	810	SSF4P1T61Q40	46	230/460	3.0	4000	1.00	82.5	12.87	4:1	S, US
1 1/2	1800	56H	LM22664	C/A	796	SRF4S1.5T61Q40	28	230/460	5.0	4000	1.00	80.0	13.52	4:1	S, US
	1800	145T	LM26098	C/A	820	SSF4P1.5T61Q40	51	230/460	5.0	4000	1.00	84.0	13.87	4:1	S, US
2	1800	145T	LM25991	C/A	853	SSF4P2T61Q40	51	230/460	6.0	4000	1.00	84.0	14.37	4:1	S, US
3	3600	182T	LM21189	C/A	1123	AAF2P3T61Q40	83	230/460	7.4	4000	1.00	85.5	14.19	4:1	A, US
	1800	182T	LM21190	✓	1036	AAF4P3T61Q40	83	230/460	8.4	4000	1.00	87.5	14.19	4:1	A, US
5	3600	184T	LM21192	C/A	1305	AAF2P5T61Q40	92	230/460	12.4	4000	1.00	87.5	15.19	4:1	A, US
	1800	184T	LM21193	✓	1153	AAF4P5T61Q40	92	230/460	13.4	4000	1.00	87.5	16.19	4:1	A, US
7 1/2	3600	213T	LM21195	C/A	1764	AF2P7.5T61Q40	127	230/460	18.0	4600	1.00	88.5	18.30	4:1	A, US
	1800	213T	LM21196	✓	1636	AF4P7.5T61Q40	127	230/460	20.0	4600	1.00	89.5	17.20	4:1	A, US
10	3600	215T	LM21198	C/A	1931	AF2P10T61Q40	138	230/460	24.0	4600	1.00	89.5	18.25	4:1	A, US
	1800	215T	LM21199	✓	1797	AF4P10T61Q40	138	230/460	25.4	4600	1.00	89.5	18.70	4:1	A, US
15	3600	254T	LM21201	✓	2578	AAF2P15T61Q40	209	230/460	35.0	4400	1.00	90.2	23.40	4:1	A, US
	1800	254T	LM21202	✓	2443	AF4P15T61Q40	209	230/460	39.0	4400	1.00	91.0	23.40	4:1	A, US
20	3600	256T	LM21204	C/A	2958	AF2P20T61Q40	236	230/460	47.0	4400	1.00	90.2	26.10	4:1	A, US
	1800	256T	LM21205	✓	2830	AF4P20T61Q40	236	230/460	50.0	4400	1.00	91.0	25.15	4:1	A, US
25	1800	284T	LM21208	C/A	3928	AF4P25T61YQ40	363	230/460	66.0	4200	1.00	92.4	26.62	4:1	A, US
30	1800	286T	LM21211	✓	4348	AF4P30T61YQ40	408	230/460	76.0	4200	1.00	92.4	28.12	4:1	A, US
40	1800	324T	LM21214	✓	5997	SF4P40T61YQ40	504	230/460	106.0	4000	1.00	93.0	28.50	4:1	S, US
50	1800	326T	LM21217	✓	6565	SF4P50T61YQ40	558	230/460	129.0	4000	1.00	93.0	30.00	4:1	S, US
60	1800	364T	LM21220	✓	8765	SF4P60T61YQ40	765	230/460	145.0	3800	1.00	93.6	31.90	4:1	S, US
75	1800	365T	LM21223	C/A	11135	SF4P75T61YQ40	822	230/460	187.0	3800	1.00	94.1	32.90	4:1	S, US
100	1800	405T	LM21227	C/A	14423	SF4P100T61YQ40	1002	230/460	244.0	3600	1.00	94.5	38.40	4:1	S, US
125	1800	444T	LM21230	C/A	17918	SF4P125T64YQ40	1351	460	146*	3000	1.00	94.5	41.58	4:1	S, US
150	1800	445T	LM21233	C/A	20728	SF4P150T64YQ40	1504	460	168*	3000	1.00	95.0	43.58	4:1	S, US
200	1800	445T	LM21236	C/A	24658	SF4P200T64YQ40	1504	460	228*	3000	1.00	95.0	43.58	4:1	S, US
250	1800	447T	LM21238	C/A	29674	SF4P250T64YQ40	1812	460	283*	2800	1.00	95.0	47.08	4:1	S, US
300	1800	449T	LM21239	C/A	32116	SF4P300T64YQ40	2315	460	349*	2800	1.00	95.4	52.08	4:1	S, US

▼ LM Numbers are Lincoln Models

♥ Note listing on inside back flap

C/A - Check Availability

Specifications are subject to change without notice

View On-line Technical Information



Inverter Duty Motors

Inverter Duty Motors - 4 :1 Speed Range - Totally Enclosed

Three Phase - Totally Enclosed - Rigid C Face

HP	SYN RPM 60 Hz	NEMA Frame	▼ Catalog Number	Stock	List Price	Model Number	App. Wgt. (lbs)	Voltage	F. L. Amps @ 230 V	Max. RPM	Service Factor	% F.L. Eff.	"C" Dim. (Inches)	Inverter speed range	♥Notes	
1/3	1800	56C	LM22645	✓	651	SRF4S0.33TC61Q40	33	230/460	1.6	4000	1.00	72.0	11.31	4:1	S, US	
1/2	1800	56C	LM22649	✓	743	SRF4S0.5TC61Q40	33	230/460	2.4	4000	1.00	74.0	11.81	4:1	S, US	
3/4	3600	56C	LM22653	C/A	668	SRF2S0.75TC61Q40	33	230/460	3.4	4000	1.00	74.0	11.81	4:1	S, US	
	1800	56C	LM22655	✓	754	SRF4S0.75TC61Q40	33	230/460	3.0	4000	1.00	77.0	11.81	4:1	S, US	
	1200	56C	LM22657	C/A	885	SRF6S0.75TC61Q40	28	230/460	3.4	4000	1.00	72.0	12.81	4:1	S, US	
1	3600	56C	LM22659	C/A	754	SRF2S1TC61Q40	33	230/460	3.7	4000	1.00	75.5	11.81	4:1	S, US	
	1800	56C	LM22661	✓	774	SRF4S1TC61Q40	28	230/460	3.0	4000	1.00	78.5	11.81	4:1	S, US	
	1800	143TC	LM26081	C/A	866	SSF4P1TC61Q40	52	230/460	3.0	4000	1.00	82.5	12.87	4:1	S, US	
	1200	145TC	LM26323	C/A	1033	SSF6P1TC61Q40	57	230/460	3.8	4000	1.00	80.0	14.87	4:1	S, US	
1 1/2	1800	56HC	LM22665	C/A	849	SRF4S1.5TC61Q40	36	230/460	5.0	4000	1.00	80.0	13.32	4:1	S, US	
	1800	145TC	LM26008	C/A	872	SSF4P1.5TC61Q40	57	230/460	4.8	4000	1.00	84.0	13.87	4:1	S, US	
2	1800	145TC	LM25962	✓	928	SSF4P2TC61Q40	57	230/460	6.0	4000	1.00	84.0	14.37	4:1	S, US	
	3600	182TC	LM22826	C/A	1206	AAF2P3TC61Q40	95	230/460	7.4	4000	1.00	85.5	14.83	4:1	A, US	
3	1800	182TC	LM22827	✓	1119	AAF4P3TC61Q40	95	230/460	8.4	4000	1.00	87.5	14.83	4:1	A, US	
	5	1800	184TC	LM22830	✓	1240	AAF4P5TC61Q40	104	230/460	13.4	4000	1.00	87.5	16.83	4:1	A, US
	7 1/2	1800	213TC	LM22833	C/A	1551	AAF4P7.5TC61Q40	138	230/460	20.0	4600	1.00	89.5	17.95	4:1	A, US
10	1800	215TC	LM22836	C/A	1797	AF4P10TC61Q40	149	230/460	25.4	4600	1.00	89.5	19.45	4:1	A, US	
15	1800	254TC	LM22839	✓	2571	AF4P15TC61Q40	221	230/460	39.0	4400	1.00	91.0	23.40	4:1	A, US	
20	1800	256TC	LM22841	✓	2959	AF4P20TC61Q40	248	230/460	50.0	4400	1.00	91.0	25.15	4:1	A, US	

▼ LM Numbers are Lincoln Models

♥ Note listing on inside back flap

C/A - Check Availability

Specifications are subject to change without notice



View On-line Technical Information



Features:

- Variable torque speed range with open loop drive of 0-60 Hz
- Constant horsepower speed range of 2x base speed
- Ultimate Spike Defense™ Insulation System
- 1.00 service factor on PWM waveform,
- 1.15 service factor or better on sine-wave power.
- Precision dynamic balanced rotor assembly
- Thermal overload protection (Class F thermostats)

Three Phase - Drip-Proof - Rigid Base

HP	SYN RPM 60 Hz	NEMA Frame	▼ Catalog Number	Stock	List Price	Model Number	App. Wgt. (lbs)	Voltage	F. L. Amps @ 230 V	Max. RPM	Service Factor	% F.L. Eff.	"C" Dim. (Inches)	Inverter speed range	♥ Notes
1	1800	143T	LM21148	C/A	746	SSD4P1T61Q40	55	230/460	3.1	5000	1.00	82.5	12.49	10:1	S, US
1 1/2	1800	145T	LM21151	C/A	778	SSD4P1.5T61Q40	68	230/460	4.4	5000	1.00	84.0	12.49	10:1	S, US
2	1800	145T	LM21153	√	822	SSD4P2T61Q40	68	230/460	5.8	5000	1.00	84.0	12.49	10:1	S, US
3	1800	182T	LM21157	C/A	931	SSD4P3T61Q40	82	230/460	8.6	4800	1.00	86.5	13.72	10:1	S, US
5	1800	184T	LM21159	√	1191	SSD4P5T61Q40	71	230/460	13.2	4800	1.00	87.5	13.19	10:1	S, US
7 1/2	1800	213T	LM21162	C/A	1367	SSD4P7.5T61Q40	141	230/460	19.4	4600	1.00	88.5	17.29	10:1	S, US
10	1800	215T	LM21165	√	1607	SSD4P10T61Q40	168	230/460	25.0	4600	1.00	89.5	17.29	10:1	S, US
15	1800	254T	LM21168	√	2294	SSD4P15T61Q40	245	230/460	41.0	4400	1.00	91.0	22.32	10:1	S, US
20	1800	256T	LM21171	√	2539	SSD4P20T61Q40	255	230/460	52.0	4400	1.00	91.0	22.32	10:1	S, US
25	1800	284T	LM29579	√	3335	CCD4P25T61YQ40	350	230/460	61.0	4000	1.00	91.7	23.49	10:1	C, US
30	1800	286T	LM29936	√	3795	CCD4P30T61YQ40	400	230/460	72.0	4000	1.00	92.4	24.99	10:1	C, US
40	1800	324T	LM21180	√	5159	SD4P40T61YQ40	469	230/460	106.0	4000	1.00	93.0	25.82	10:1	S, US
50	1800	326T	LM21118	C/A	5762	SD4P50T61YQ40	522	230/460	130.0	4000	1.00	93.0	27.32	10:1	S, US
60	1800	364T	LM21121	C/A	7440	SD4P60T61YQ40	595	230/460	145.0	3600	1.00	94.0	28.40	10:1	S, US
75	1800	365T	LM21124	C/A	10438	SD4P75T61YQ40	763	230/460	176.0	3800	1.00	94.1	32.90	10:1	S, US
100	1800	404T	LM21127	√	10481	SD4P100T61YQ40	882	230/460	244.0	3600	1.00	94.1	31.81	10:1	S, US
125	1800	405T	LM30727	√	10629	SD4P125T61YQ40	958	230/460	304.0	3600	1.00	94.5	33.31	10:1	S, US

▼ LM Numbers are Lincoln Models

♥ Note listing on inside back flap

C/A - Check Availability

Specifications are subject to change without notice

View On-line Technical Information



Inverter Duty Motors

SUB-FHP MOTORS - Inverter Rated - Three Phase

Features:

- Designed with the exclusive Inverter Rated Insulation System (IRIS)
- Provides superior protection against voltage spikes induced by variable frequency drives
- Double shielded motor ball bearings
- Needle bearings in the parallel shaft gearboxes
- Steel conduit box provided as standard
- Finished in high gloss hardened black enamel paint

Application Notes:

- Designed with high temperature insulation (Class F) to prevent overheating when operated with a PWM inverter down to a 10:1 speed range from the printed motor's speed range

Three Phase - Totally Enclosed - Rigid Base - C Face With Base

HP	SYN RPM 60 Hz	Frame	Catalog Number	Stock	List Price	Model Number	Voltage	F. L. Amps @ 230 V	♥Notes
1/15	1725	38	M1140171.00	✓	362	CM38T17NK1	230	0.4	S, US, 12
1/6	1725	38	M1140173.00	C/A	390	CM38T17NK2	230	0.7	S, US, 12
1/4	1725	38	M1140172.00	✓	419	CM38T17FK3	230	1.1	S, US, 13

C/A - Check Availability

♥ Note listing on inside back flap

Note 12 - TENV

Specifications are subject to change without notice

38 Frame NEMA C Face With Base Dimensions

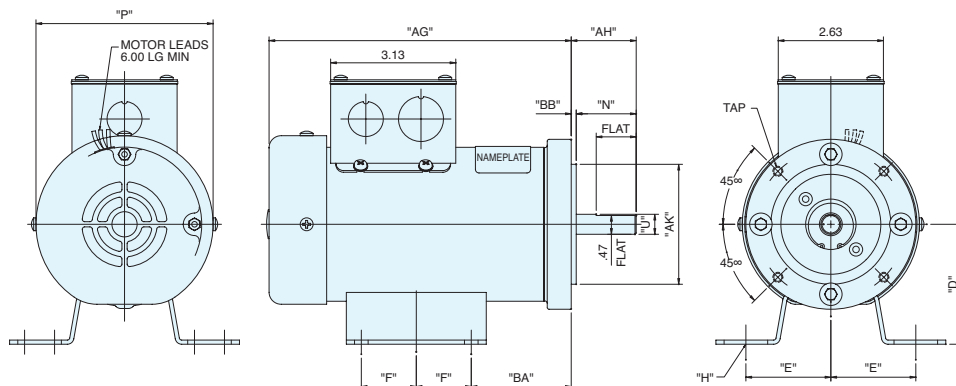
Catalog Number	AG	P	U	AH	BB	AJ	TAP	R	AK	BB	D	BA	E	F	H
M1140171.00	5.14	3.85	0.5	1.63	1	3.75	1/4-20	4.3	3.0	0.13	3.0	2.50	2.125	1.375	11/32 Slot
M1140173.00	6.14	3.85	0.5	1.63	1	3.75	1/4-20	4.3	3.0	0.13	3.0	2.50	2.125	1.375	11/32 Slot
M1140172.00	7.56	4.43	0.5	1.63	1	3.75	1/4-20	4.3	3.0	0.13	3.0	2.50	2.125	1.375	11/32 Slot

Specifications are subject to change without notice

AC 38 48C

Both motors only and gearmotors will have inverter rated printed on the nameplate. UL and CSA recognition for both motors only and gearmotors.

ALL DIMENSIONS IN INCHES



View On-line Technical Information



Other Application Considerations -

For proper selection, the following should be considered:

- Horsepower or torque requirements at various speeds
- Desired speed range of the load and motor
- Acceleration and deceleration rate requirements of the process being controlled
- Starting requirements including the frequency of starting and a description of the load (reflected inertia at the motor, load torque during starting)
- Whether the application is a continuous process or duty cycle of starts, stops and speed changes
- A general description of the type of application including the environment in which the VFD system components must operate (determines motor enclosure and/or explosion proof classification)
- Description of the available electrical power supply and wiring
- Special performance requirements, if any
- Whether the drive will be configured with a by-pass circuit. In case of its deployment, the motor will operate like its fixed speed counterpart and may require a NEMA B design which limits in-rush current, or selection of a larger motor starter or other protective circuitry
- Load sharing
- Mounting and other mechanical considerations

Typical Temperature Rise Of Various Enclosures

