



Explosion Proof  
Motors

Automotive  
Duty Motors

Pump  
Motors

Washguard®  
Motors

Agricultural  
Duty Motors

HVAC / Fan  
Motors

Special Voltage  
Motors

Definite  
Purpose Motors

Brake Motors

- USDA-approved epoxy painted motors
- Stainless steel motors
- Encapsulated stainless steel motors available
- NEMA and IEC flange motors
- Three phase, single phase and DC washdown duty motors
- AC and DC washdown gearmotors
- Rigid base and C face mount types
- BISSC approved designs
- Double lip contact seals and v-ring seals used for shaft seals
- 3-year warranty on encapsulated and premium efficient models
- Washdown brakemotors and pump motors available
- UL recognized and CSA certified

## Applications:

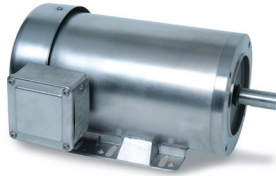
Designed to meet the demanding washdown conditions that you may find in food processing plants, chemical processing, pharmaceutical plants and the beverage and brewing industries.





# Premium StainlessDuck

Maximum service in critically clean or corrosive environments



- All exterior components of 300 series stainless steel
- Endshields o-ring sealed to frame
- IEEE 841 severe-duty features standard
- Meets IP56 enclosure protection
- AC, DC and IEC designs
- (SGRs) shaft grounding rings

# SST StainlessDuck

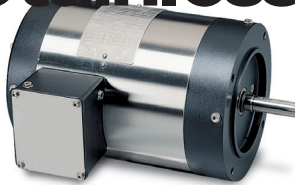
Stainless Steel Tough for demanding washdown applications



- All exterior components of 300 series stainless steel, including motor frame, endshield and conduit box castings
- Moisture resistant sealant between frame and endbells
- Full-fact nameplate is laser-etched on the motor frame
- Four locations for T-drains provided on each endshield
- Meets IP55 enclosure protection

# StainlessDuck

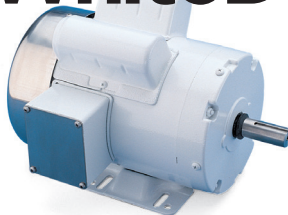
Superior, extended life in severe environments



- Paint-free exterior—stainless frame and conduit box lid, specially processed endshields and conduit box housing
- Etched stainless steel nameplate
- Meets IP55 enclosure protection
- Three phase motors are suitable for use on VFDs
- Washguard® II motors

# WhiteDuck

Enhanced performance in wet, humid areas



- Our original moisture-shedding “duck” motor
- USDA-approved white epoxy finish
- Stainless steel shaft, conduit box cover, nameplate, fan guard
- Four endshield drains
- Meets IP55 enclosure protection

# ExtremeDuck

Revolutionary Designed Stainless Steel Motors are built to be the last Stainless Steel Washdown motors you will ever need!



- Total winding encapsulation using an Epoxy Resin
- All exterior components are 300-Series stainless steel
- (SRGs) shaft grounding rings
- Protech Bearing isolator used for the output shaft seal
- Pre-lubricated double-sealed bearings
- Full fact nameplate is laser etched



Explosion Proof Motors

Automotive Duty Motors

Pump Motors

Washguard® Motors

Agricultural Motors

HVAC / Fan Motors

Special Voltage Motors

Definite Purpose Motors

Brake Motors





# WASHGUARD® MOTORS ARE BUILT TO HANDLE HIGH-PRESSURE WASHDOWNS!\*

Explosion Proof Motors

Automotive Duty Motors

Pump Motors

Washguard® Motors

Agricultural Duty Motors

HVAC / Fan Motors

Special Voltage Motors

Definite Purpose Motors

Brake Motors

Stainless-steel or white polypropylene fan guard on all WASHGUARD® frames.

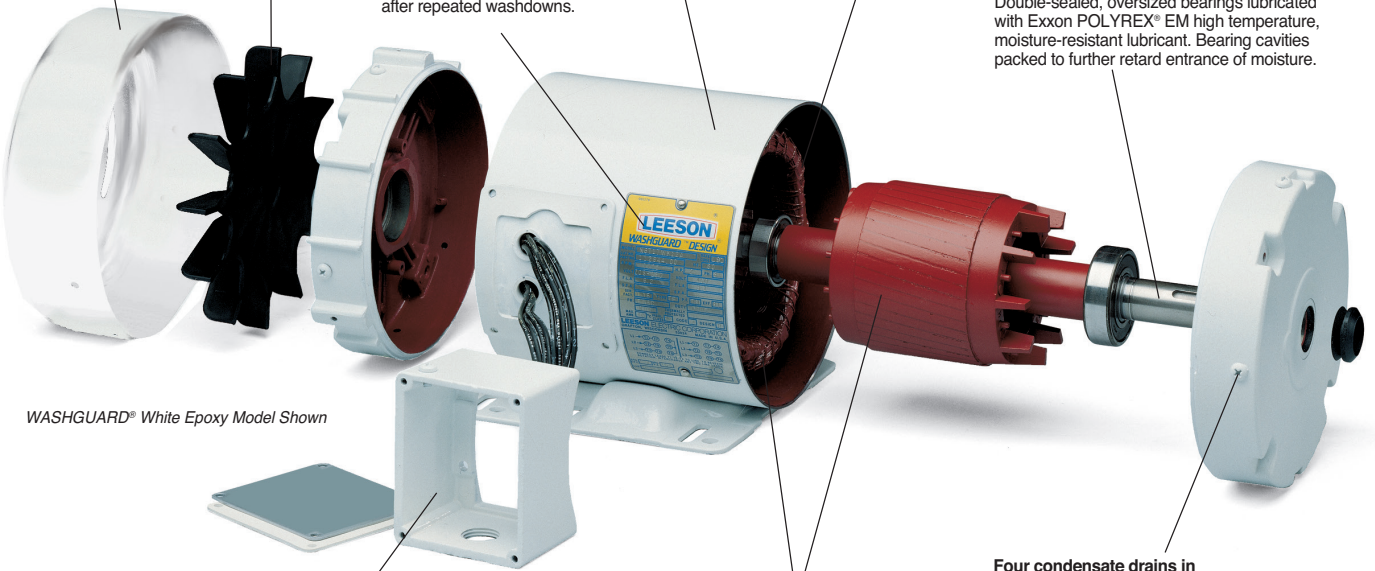
Composite fan is chemically-inert and static-free. Fan is positively positioned on shaft on TEFC designs only.

Stainless-steel, "full-fact" nameplate includes information on motor efficiency and connections. Readable even after repeated washdowns.

USDA-approved, white epoxy finish for superior protection and resistance to caustic cleaning solutions.

Encapsulated starting switch (single-phase WASHGUARD® motors) uses a patented, field-proven design that is immune to moisture, shock and vibration. No moving parts or exposed contacts to become corroded or inoperable.

Moisture-resistant shaft system includes 303 stainless-steel shaft and lubricated, spring-loaded contact seals in each endshield. Patented V-ring Forsheda seal on shaft end to deflect water (see inset). Double-sealed, oversized bearings lubricated with Exxon POLYREX® EM high temperature, moisture-resistant lubricant. Bearing cavities packed to further retard entrance of moisture.

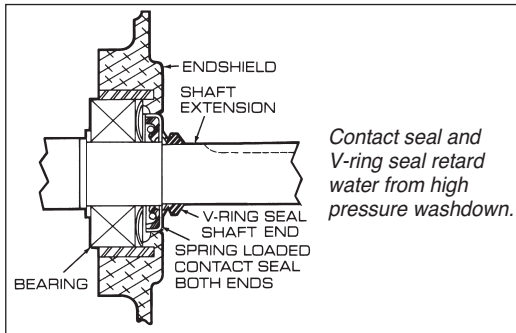


WASHGUARD® White Epoxy Model Shown

Cast, oversized conduit box with tough, high-temperature nitrile gaskets and stainless-steel cover and hardware. Oversized design with threaded entrance. All machined fits are sealed and nylon gaskets are used under bolt heads.

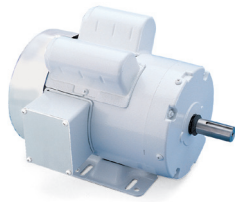
Interior coatings protect against moisture and corrosion. Frame, base, endshields, rotor, and interior components are protected by enamel and polyester compounds of outstanding adhesion and resistance to moisture, acids, alkalis, and oils. High temperature, moisture resistant IRIS insulation system assures long life on inverter service. Windings are immersed and cured in polyester insulating compound.

Four condensate drains in each endshield (at three, six, nine, and twelve o'clock) purge condensate and water which may enter the motor.



\* Also excellent for applications requiring a motor that is "tropicalized"!





# Washguard® Motors

## Single Phase - White Epoxy Painted

### Single Phase - TEFC - Rigid Base - Featuring Electronic Solid State Encapsulated Switch

HP	SYN RPM 60 Hz	NEMA Frame	Catalog Number	Stock	List Price	Model Number	App. Wgt. (lbs)	Voltage	F. L. Amps @ 230 V	Service Factor	"C" Dim. (Inches)	Notes
1/2	1800	56	112431.00	✓	671	C6C17WB1	24	115/208-230	4.4	1.15	10.81	S, US
3/4	1800	56	112432.00	✓	789	C6C17WB2	31	115/208-230	5.4	1.15	11.31	S, US
1	1800	56	112626.00	✓	904	C6C17WB3	33	115/208-230	6.4	1.15	11.81	S, US
1800	143T	120589.00	✓	904	N143C17WB1	34	115/208-230	6.4	1.15	12.25	S, US	
1 1/2	1800	145T	120590.00	✓	1,151	C145C17WB1	47	115/208-230	9.5	1.15	13.75	S, US
2	1800	182T	131571.00	✓	1,669	C182C17WB3	60	115/208-230	12.6	1.15	13.46	S, MX

Specifications are subject to change without notice

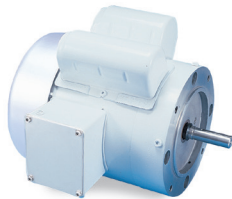
♥ Note listing on inside back flap

### Single Phase - TEFC - C Face With Base - Featuring Electronic Solid State Encapsulated Switch

HP	SYN RPM 60 Hz	NEMA Frame	Catalog Number	Stock	List Price	Model Number	App. Wgt. (lbs)	Voltage	F. L. Amps @ 230 V	Service Factor	"C" Dim. (Inches)	Notes
1/3	3600	56C	113580.00	✓	662	C6C34WK2	27	115/208-230	2.6	1.15	10.69	S, US
1800	56C	112526.00	✓	671	C6C17WK2	28	115/208-230	3.2	1.15	10.69	S, US	
1/2	3600	56C	113581.00	✓	671	C6C34WK3	25	115/208-230	3.6	1.15	10.69	S, US
1800	56C	112527.00	✓	695	C6C17WK3	28	115/208-230	4.4	1.15	11.19	S, US	
3/4	3600	56C	113582.00	✓	680	C6C34WK4	31	115/208-230	5.0	1.15	11.69	S, US
1800	56C	112528.00	✓	788	C6C17WK4	30	115/208-230	5.4	1.15	11.69	S, US	
1	3600	56C	113583.00	✓	682	C6C34WK6	31	115/208-230	6.0	1.15	12.19	S, US
1800	56C	112529.00	✓	907	C6C17WK5	33	115/208-230	6.4	1.15	12.19	S, US	
1 1/2	3600	56C	113584.00	✓	998	C6C34WK5	36	115/208-230	8.5	1.15	12.69	S, US
1800	56HC	113300.00	✓	1,155	C6C17WK6	45	115/208-230	9.5	1.15	13.69	S, US	
2	3600	56HC	114637.00	✓	1,151	C6C34WK9	43	115/208-230	10.0	1.00	13.69	S, US

Specifications are subject to change without notice

♥ Note listing on inside back flap



### Single Phase - TEFC - C Face Less Base - Featuring Electronic Solid State Encapsulated Switch

HP	SYN RPM 60 Hz	NEMA Frame	Catalog Number	Stock	List Price	Model Number	App. Wgt. (lbs)	Voltage	F. L. Amps @ 230 V	Service Factor	"C" Dim. (Inches)	Notes
1/3	3600	56C	114310.00	✓	658	C6C34WC2	25	115/208-230	2.6	1.15	10.69	S, US
1800	56C	114311.00	✓	668	C6C17WC2	27	115/208-230	3.2	1.15	10.69	S, US	
1/2	3600	56C	114312.00	✓	668	C6C34WC3	25	115/208-230	3.6	1.15	10.69	S, US
1800	56C	114313.00	✓	685	C6C17WC3	29	115/208-230	4.4	1.15	11.19	S, US	
3/4	3600	56C	114314.00	✓	671	C6C34WC4	31	115/208-230	5.0	1.15	11.69	S, US
1800	56C	114315.00	✓	792	C6C17WC4	31	115/208-230	5.4	1.15	11.69	S, US	
1	3600	56C	114316.00	✓	675	C6C34WC5	29	115/208-230	6.0	1.15	12.19	S, US
1800	56C	114317.00	✓	898	C6C17WC5	34	115/208-230	6.4	1.15	12.19	S, US	
1 1/2	3600	56C	114318.00	✓	997	C6C34WC6	36	115/208-230	8.5	1.15	12.69	S, US
1800	56C	114319.00	✓	1,151	C6C17WC6	43	115/208-230	9.5	1.15	13.69	S, US	

Specifications are subject to change without notice

♥ Note listing on inside back flap

View On-line Technical Information



Explosion Proof Motors

Automotive Duty Motors

Pump Motors

Washguard® Motors

Agricultural Motors

HVAC / Fan Motors

Special Voltage Motors

Definite Purpose Motors

Brake Motors

# Washguard® Motors

## White Epoxy Painted - Three Phase



### Three Phase - TENV and TEFC C Face Less Base

HP	SYN RPM 60 Hz	NEMA Frame	Catalog Number	Stock	List Price	Model Number	App. Wgt. (lbs)	Voltage	F. L. Amps @ 230 V	% F.L. Eff.	Service Factor	"C" Dim. (Inches)	♥Notes
1/4	1800	56C	113649.00	✓	642	C6T17VC5	19	208-230/460	1.1	68.0	1.15	9.56	S, US, 12
1/3	3600	56C	116640.00	✓	663	C6T34VC16	19	208-230/460	1.1	77.0	1.15	10.08	S, US, 12
	1800	56C	113954.00	✓	682	C6T17VC6	19	208-230/460	1.3	72.0	1.15	9.56	S, US, 12
	1800	56C	116642.00	✓	682	C6T17WC23	19	208-230/460	1.7	68.0	1.15	10.69	S, US, 13
1/2	3600	56C	116643.00	✓	684	C6T34VC17	22	208-230/460	1.6	82.5	1.15	10.06	S, US, 12
	1800	56C	113473.00	✓	703	C6T17VC4	22	208-230/460	1.8	78.5	1.15	10.06	S, US, 12
	1800	56C	116644.00	✓	703	C6T17WC24	22	208-230/460	2.0	74.0	1.15	11.19	S, US, 13
3/4	3600	56C	113022.00	✓	712	C6T34VC1	23	208-230/460	2.4	84.0	1.15	11.06	S, US, 12
	1800	56C	113019.00	✓	814	C6T17VC1	28	208-230/460	2.5	80.0	1.15	10.56	S, US, 12
	1800	56C	116645.00	✓	814	C6T17FC204	28	208-230/460	2.8	77.0	1.15	11.69	S, US, 13
1	3600	56C	113023.00	✓	830	C6T34VC2	35	208-230/460	2.6	85.5	1.15	11.56	S, US, 12
	1800	56C	113020.00	✓	849	C6T17VC2	32	208-230/460	3.2	80.0	1.15	11.56	S, US, 12
	1800	56C	116646.00	✓	849	C6T17WC25	32	208-230/460	3.8	77.0	1.15	11.69	S, US, 13
	1800	143TC	120760.00	✓	849	C143T17VC1	35	208-230/460	3.2	80.0	1.15	11.75	S, US, 12
	1800	143TC	G121652.00	✓	870	C143T17WC8	33	208-230/460	3.1	82.5	1.15	13.25	S, US, 13
1 1/2	3600	56C	113024.00	✓	880	C6T34VC3	42	208-230/460	3.8	84.0	1.15	12.56	S, US, 12
	1800	56C	113021.00	✓	885	C6T17VC3	44	208-230/460	4.2	84.0	1.15	13.06	S, US, 12
	1800	56C	116647.00	✓	885	C6T17WC26	44	208-230/460	5.0	78.5	1.15	12.69	S, US, 13
	1800	145TC	120761.00	✓	885	C145T17VC1	47	208-230/460	4.2	84.0	1.15	13.25	S, US, 12
	1800	145TC	G121655.00	✓	909	C145T17WC28	45	208-230/460	4.4	84.0	1.15	13.25	S, US, 13
2	3600	56C	113593.00	✓	1,006	C6T34VC5	47	208-230/460	5.0	84.0	1.00	13.06	S, US, 12
	3600	145TC	121040.00	✓	1,006	C145T34VC1	45	208-230/460	5.0	84.0	1.15	13.12	S, US, 12
	1800	56C	114616.00	✓	1,033	C6T17WC12	48	208-230/460	6.2	81.5	1.15	12.69	S, US, 13
	1800	145TC	G120762.00	✓	1,123	C145T17WC27	47	208-230/460	5.6	84.0	1.15	13.75	S, US, 13
3	3600	56C	115976.00	✓	1,228	C6T34WC7	39	208-230/460	7.6	84.0	1.15	13.19	S, US, 13
	3600	145TC	G120987.00	✓	1,326	C145T34WC15	44	208-230/460	7.6	85.5	1.15	13.75	S, US, 13
	1800	182TC	G131596.00	✓	1,479	C182T17WC9	81	208-230/460	7.6	87.5	1.15	14.47	S, MX, 13
5	3600	184TC	G131595.00	✓	1,851	C184T34WC7	75	208-230/460	12.0	87.5	1.15	14.47	S, MX, 13
	1800	184TC	G131597.00	✓	1,669	C184T17WC8	95	208-230/460	13.0	87.5	1.15	14.97	S, MX, 13
7 1/2	3600	S213TC	G131594.00	✓	2,294	C184T34WC6	102	208-230/460	16.8	88.5	1.00	17.47	S, MX, 13
	1800	213TC	G140467.00	✓	2,116	C213T17WC3	145	208-230/460	20.4	89.5	1.15	17.71	S, MX, 13
10	3600	215TC	G140737.00	✓	2,726	C215T34WC2	170	208-230/460	24.0	89.5	1.15	20.57	S, US, 13
	1800	215TC	G140465.00	✓	2,404	C215T17WC3	180	208-230/460	26.0	89.5	1.15	18.71	S, MX, 13
15	3600	215TC	G140738.00	✓	3,355	C215T34WC4	140	208-230/460	36.0	90.2	1.15	20.57	S, US, 13

Note 12 - TENV  
Specifications are subject to change without notice

♥ Note listing on inside back flap



View On-line Technical Information





# Washguard® Motors

## White Epoxy Painted - Three Phase

### Three Phase - TEFC - Rigid Base

HP	SYN RPM 60 Hz	NEMA Frame	Catalog Number	Stock	List Price	Model Number	App. Wgt. (lbs)	Voltage	F. L. Amps @ 230 V	% F.L. Eff.	Service Factor	"C" Dim. (Inches)	♥Notes
1/2	1800	56	112427.00	✓	691	C6T17WB6	24	208-230/460	2.0	74.0	1.15	10.81	S, US
3/4	1800	56	112428.00	✓	721	C6T17WB7	27	208-230/460	2.8	77.0	1.15	10.81	S, US
1	1800	56	112627.00	✓	758	C6T17WB8	26	208-230/460	3.8	77.0	1.15	11.31	S, US
		143T	121865.00	✓	953	C143T17WB4	35	208-230/460	3.1	85.5	1.15	12.75	S, US
1 1/2	1800	145T	121869.00	✓	955	C145T17WB23	51	208-230/460	4.4	86.5	1.15	12.75	S, US
2	1800	145T	121866.00	✓	1,188	C145T17WB22	46	208-230/460	5.6	86.5	1.15	13.75	S, US
		3	3600	182T	132388.00	✓	1,626	C182T34WB1	69	208-230/460	7.6	86.5	1.25
5	1800	56HZ	115751.00	✓	1,057	C6T17FB113	45	208-230/460	8.6	82.5	1.00	14.25	S, US
		182T	132196.00	✓	1,595	C182T17WB10	69	208-230/460	8.2	89.5	1.15	13.96	S, MX
		3600	184T	132202.00	✓	1,824	C184T34WB5	75	208-230/460	12.0	88.5	1.25	14.46
7 1/2	3600	184T	132197.00	✓	1,824	C184T17WB8	85	208-230/460	13.0	89.5	1.15	14.96	S, MX
		184T	132306.00	✓	2,275	C184T34WB6	87	208-230/460	16.8	89.5	1.15	15.96	S, MX
10	3600	S213T	132204.00	✓	2,275	C184T34WB6	87	208-230/460	16.8	89.5	1.15	16.59	S, MX
		1800	213T	140819.00	✓	2,315	C213T17WB6	131	208-230/460	20.4	91.7	1.25	17.21
10	1800	215T	140820.00	✓	2,769	C215T17WB5	165	208-230/460	26.0	91.7	1.25	18.71	S, MX

Green items are Premium Efficient

♥ Note listing on inside back flap

Specifications are subject to change without notice

Explosion Proof Motors

Automotive Duty Motors

Pump Motors

Washguard® Motors

Agricultural Motors

HVAC / Fan Motors

Special Voltage Motors

Definite Purpose Motors

Brake Motors

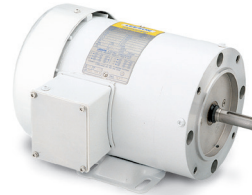
View On-line Technical Information





# Washguard® Motors

## White Epoxy Painted - Three Phase



### Three Phase - TENV and TEFC C Face With Base

HP	SYN RPM 60 Hz	NEMA Frame	Catalog Number	Stock	List Price	Model Number	App. Wgt. (lbs)	Voltage	F. L. Amps @ 230 V	% F.L. Eff.	Service Factor	"C" Dim. (Inches)	♥Notes
1/4	1800	56C	112523.00	✓	646	C6T17WK8	21	208-230/460	1.1	67.0	1.15	10.69	S, US, 13
1/3	3600	56C	116641.00	✓	684	C6T34VK15	22	208-230/460	1.1	77.0	1.15	10.08	S, US, 12
	1800	56C	112547.00	✓	711	C6T17WK9	22	208-230/460	1.7	68.0	1.15	10.69	S, US, 13
1/2	3600	56C	113588.00	✓	644	C6T34VK3	26	208-230/460	1.5	82.5	1.15	10.58	S, US, 12
	1800	56C	113586.00	✓	721	C6T17VK2	23	208-230/460	1.8	78.5	1.15	10.06	S, US, 12
	1800	56C	112429.00	✓	721	C6T17WK1	22	208-230/460	2.0	74.0	1.15	11.19	S, US, 13
	1200	56C	115743.00	✓	902	C6T11VK1	24	208-230/460	2.3	77.0	1.15	11.56	S, US, 12
3/4	3600	56C	113589.00	✓	707	C6T34VK2	24	208-230/460	2.4	84.0	1.15	11.08	S, US, 12
	1800	56C	113587.00	✓	835	C6T17VK1	30	208-230/460	2.5	80.0	1.15	10.56	S, US, 12
	1800	56C	112430.00	✓	835	C6T17WK2	26	208-230/460	2.8	77.0	1.15	11.19	S, US, 13
	1200	56HC	115744.00	✓	981	C6T11VK2	25	208-230/460	3.0	78.5	1.15	13.06	S, US, 12
1	3600	56C	113590.00	✓	828	C6T34VK4	34	208-230/460	2.6	85.5	1.15	11.58	S, US, 12
	1800	56C	112524.00	✓	870	C6T17WK10	27	208-230/460	3.8	77.0	1.15	11.69	S, US, 13
	1800	143TC	121867.00	✓	1,002	C143T17WK11	37	208-230/460	3.2	85.5	1.15	13.25	S, US, 13
	1200	56HC	115745.00	✓	1,049	C6T11WK3	35	208-230/460	4.0	77.0	1.15	13.08	S, US, 13
1 1/2	3600	56C	113591.00	✓	913	C6T34VK5	44	208-230/460	3.8	84.0	1.15	12.56	S, US, 12
	1800	145TC	121871.00	✓	1,044	C145T17WK31	53	208-230/460	4.8	86.5	1.15	13.25	S, US, 13
	1800	56C	112643.00	✓	909	C6T17WK11	32	208-230/460	5.0	78.5	1.15	12.19	S, US, 13
	1200	56HC	115746.00	✓	1,108	C6T11WK4	31	208-230/460	5.7	77.0	1.15	14.18	S, US, 13
2	3600	56HC	113592.00	✓	1,015	C6T34VK6	48	208-230/460	5.0	84.0	1.15	13.06	S, US, 12
	3600	145TC	121039.00	✓	1,015	C145T34VK1	43	208-230/460	4.8	85.5	1.15	13.12	S, US, 12
	1800	56C	112644.00	✓	1,041	C6T17WK12	36	208-230/460	6.2	81.5	1.15	12.69	S, US, 13
	1800	145TC	121868.00	✓	1,291	C145T17WK30	49	208-230/460	5.8	86.5	1.15	13.75	S, US, 13
3	3600	145TC	121870.00	✓	1,525	C145T34WK28	46	208-230/460	7.6	89.5	1.15	13.75	S, US, 13
	3600	182TC	132199.00	✓	1,753	C182T34WK1	80	208-230/460	7.6	86.5	1.25	14.97	S, MX, 13
	1800	182TC	132198.00	✓	1,729	C182T17WK13	80	208-230/460	7.8	89.5	1.15	14.47	S, MX, 13
5	3600	184TC	132200.00	✓	2,166	C184T34WK10	79	208-230/460	12.0	88.5	1.15	14.47	S, MX, 13
	1800	184TC	132201.00	✓	1,952	C184T17WK15	84	208-230/460	12.8	89.5	1.15	14.97	S, MX, 13
7 1/2	3600	184TC	132205.00	✓	2,685	C184T34WK17	94	208-230/460	17.6	89.5	1.15	15.97	S, MX, 13
	3600	213TC	141120.00	✓	2,746	C213T34WK6	140	208-230/460	17.8	89.5	1.15	17.47	S, MX, 13
	1800	213TC	140822.00	✓	2,517	C213T17WK9	135	208-230/460	21.4	91.7	1.25	17.71	S, MX, 13
10	3600	215TC	140823.00	✓	3,242	C215T34WK9	129	208-230/460	23.6	90.2	1.15	20.57	S, US, 13
	1800	215TC	140821.00	✓	2,861	C215T17WK9	145	208-230/460	26.6	91.7	1.25	18.71	S, MX, 13

Green items are Premium Efficient

♥ Note listing on inside back flap

Note 12 - TENV

Specifications are subject to change without notice

### Three Phase • 575 Volts

### Three Phase - TEFC - C Face With Base

HP	SYN RPM 60 Hz	NEMA Frame	Catalog Number	Stock	List Price	Model Number	App. Wgt. (lbs)	Voltage	F. L. Amps @ 575 V	% F.L. Eff.	Service Factor	"C" Dim. (Inches)	♥Notes
1/4	1800	56C	112520.00	✓	646	C6T17WK5	24	575	0.4	68.0	1.15	10.69	S, US
1/3	1800	56C	112521.00	✓	669	C6T17WK6	22	575	0.7	68.0	1.15	10.69	S, US
1/2	1800	56C	112483.00	✓	721	C6T17WK3	28	575	0.8	74.0	1.15	10.69	S, US
3/4	1800	56C	112484.00	✓	835	C6T17WK4	24	575	1.1	77.0	1.15	11.19	S, US
1	1800	56C	112522.00	✓	870	C6T17WK7	30	575	1.5	77.0	1.15	11.69	S, US

Specifications are subject to change without notice

♥ Note listing on inside back flap



View On-line Technical Information







# Washguard® Motors

## Washdown Duty Pump Motors

### White Epoxy Painted

### Three Phase - TEFC - JM Pump - EPACT Efficient

HP	SYN RPM 60 Hz	NEMA Frame	Catalog Number	Stock	List Price	Model Number	App. Wgt. (lbs)	Voltage	F. L. Amps @ 230 V	% F.L. Eff.	Service Factor	"C" Dim. (Inches)	♥Notes
1	1800	143JM	G121579.00	✓	1,163	C143T17WK16	41	208-230/460	3.1	82.5	1.15	16.25	S, US
1 1/2	3600	143JM	G121580.00	✓	1,255	C143T34WK9	33	208-230/460	4.0	82.5	1.15	16.25	S, US
	1800	145JM	G121581.00	✓	1,288	C145T17WK38	47	208-230/460	4.4	84.0	1.15	16.25	S, US
2	3600	145JM	G121582.00	✓	1,417	C145T34WK22	50	208-230/460	5.2	84.0	1.15	16.25	S, US
	1800	145JM	G121583.00	✓	1,329	C145T17WK39	49	208-230/460	5.6	84.0	1.15	16.75	S, US
3	3600	145JM	G121584.00	✓	1,520	C145T34WK23	54	208-230/460	7.6	85.5	1.15	16.75	S, US
	1800	182JM	G131967.00	✓	1,690	C182T17WK15	79	208-230/460	8.2	87.5	1.15	16.75	S, MX
5	3600	184JM	G131968.00	✓	2,017	C184T34WK12	81	208-230/460	12.0	87.5	1.15	16.75	S, MX
	1800	184JM	G131969.00	✓	1,829	C184T17WK17	95	208-230/460	13.0	87.5	1.15	17.63	S, MX
7 1/2	3600	184JM	G131970.00	✓	2,210	C184T34WK13	110	208-230/460	16.8	88.5	1.15	18.25	S, MX
	1800	213JM	G140733.00	✓	2,466	C213T17WK13	135	208-230/460	20.4	89.5	1.15	19.50	S, MX
10	3600	215JM	G140734.00	✓	3,039	C215T34WK5	142	208-230/460	24.0	89.5	1.15	22.20	S, US
	1800	215JM	G140735.00	✓	2,869	C215T17WK12	150	208-230/460	26.0	89.5	1.15	21.70	S, MX
15	3600	215JM	G140736.00	✓	3,473	C215T34WK6	160	208-230/460	36.0	90.2	1.15	22.20	S, US

Specifications are subject to change without notice

♥ Note listing on inside back flap

### Washguard® Jet Pump Motors

Washdown duty three phase jet pump motors for industrial service. These motors include all of the features of LEESON's White Duck Washguard® motors with the addition of a 56J threaded shaft for use on jet pumps. For demanding pump applications in wet, humid, or washdown environments.

### Three Phase - TEFC - C Face Less Base - Threaded Shaft

HP	SYN RPM 60 Hz	NEMA Frame	Catalog Number	Stock	List Price	Model Number	App. Wgt. (lbs)	Voltage	F. L. Amps @ 230 V	% F.L. Eff.	Service Factor	"C" Dim. (Inches)	♥Notes
3/4	3600	56J	116774.00	✓	714	C6T34WC14	23	208-230/460	2.4	75.5	1.15	10.81	S, US
1	3600	56J	116775.00	✓	830	C6T34WC15	35	208-230/460	3.2	77.0	1.15	10.81	S, US
1 1/2	3600	56J	116776.00	✓	883	C6T34WC13	42	208-230/460	4.2	81.5	1.15	11.81	S, US
2	3600	56J	116777.00	✓	1,010	C6T34WC11	47	208-230/460	5.6	82.5	1.15	12.31	S, US
3	3600	56J	116778.00	✓	1,059	C6T34WC10	49	208-230/460	7.6	84.0	1.15	13.25	S, US

Specifications are subject to change without notice

♥ Note listing on inside back flap

### Three Phase - TEFC - C Face With Base - Threaded Shaft

HP	SYN RPM 60 Hz	NEMA Frame	Catalog Number	Stock	List Price	Model Number	App. Wgt. (lbs)	Voltage	F. L. Amps @ 230 V	% F.L. Eff.	Service Factor	"C" Dim. (Inches)	♥Notes
3/4	3600	56J	116779.00	✓	733	C6T34WK12	24	208-230/460	2.4	75.5	1.15	10.81	S, US
1	3600	56J	116780.00	✓	851	C6T34WK13	36	208-230/460	3.2	77.0	1.15	10.81	S, US
1 1/2	3600	56J	116781.00	✓	923	C6T34WK11	43	208-230/460	4.2	81.5	1.15	11.81	S, US
2	3600	56J	116782.00	✓	1,026	C6T34WK10	48	208-230/460	5.6	82.5	1.15	12.31	S, US
3	3600	56J	116783.00	✓	1,093	C6T34WK9	50	208-230/460	7.6	84.0	1.15	13.25	S, US

Specifications are subject to change without notice

♥ Note listing on inside back flap

View On-line Technical Information



Explosion Proof Motors

Automotive Duty Motors

Pump Motors

Washguard® Motors

Agricultural Motors

HVAC / Fan Motors

Special Voltage Motors

Definite Purpose Motors

Brake Motors

# Washguard® Motors

## Washdown Duty Brakemotors

### White Epoxy Painted



## Washguard® Brakemotors - TENV/TEFC - C Face With Base

HP	SYN RPM 60 Hz	NEMA Frame	Brake Rating (ft-lbs)	Catalog Number	Stock	List Price	Model Number	App. Wgt. (lbs)	Voltage	F. L. Amps @ 230 V	% F.L. Eff.	Service Factor	"C" Dim. (Inches)	♥Notes
1/3	1800	56C	3	116466.00	C/A	1,418	C6T17VK28	40	208-230/460	1.3	72.00	1.15	14.00	S, US, 12
1/2	1800	56C	3	116467.00	√	1,446	C6T17VK30	42	208-230/460	1.8	78.50	1.15	14.50	S, US, 12
3/4	1800	56C	6	116468.00	√	1,715	C6T17VK29	44	208-230/460	2.5	80.00	1.15	15.00	S, US, 12
1	1800	56C	6	116469.00	√	1,773	C6T17VK27	48	208-230/460	3.2	80.00	1.15	15.50	S, US, 12
	1800	143TC	6	121616.00	√	1,773	C143T17VK7	49	208-230/460	3.2	80.00	1.15	16.06	S, US, 12
1 1/2	1800	145TC	10	G121617.00	√	2,457	C145T17WK22	50	208-230/460	4.4	84.00	1.15	19.01	S, US, 13
2	1800	145TC	10	G121618.00	√	2,548	C145T17WK21	62	208-230/460	5.6	84.00	1.15	19.01	S, US, 13

Note 12 - TENV

C/A - Check Availability

Specifications are subject to change without notice

♥ Note listing on inside back flap

## Washguard® Brakemotors - TENV/TEFC - C Face Less Base

HP	SYN RPM 60 Hz	NEMA Frame	Brake Rating (ft-lbs)	Catalog Number	Stock	List Price	Model Number	App. Wgt. (lbs)	Voltage	F. L. Amps @ 230 V	% F.L. Eff.	Service Factor	"C" Dim. (Inches)	♥Notes
1/3	1800	56C	3	116462.00	√	1,368	C6T17VC43	39	208-230/460	1.3	72.00	1.15	14.00	S, US, 12
1/2	1800	56C	3	116463.00	√	1,402	C6T17VC42	41	208-230/460	1.8	78.50	1.15	14.50	S, US, 12
3/4	1800	56C	6	116464.00	√	1,669	C6T17VC44	43	208-230/460	2.5	80.00	1.15	15.00	S, US, 12
1	1800	56C	6	116465.00	√	1,728	C6T17VC45	45	208-230/460	3.2	80.00	1.15	15.50	S, US, 12
	1800	143TC	6	121613.00	√	1,728	C143T17VC8	46	208-230/460	3.2	80.00	1.15	15.56	S, US, 12
1 1/2	1800	145TC	10	121614.00	√	2,395	C145T17WC20	49	208-230/460	5.0	78.50	1.15	18.01	S, US, 13
2	1800	145TC	10	121615.00	√	2,463	C145T17WC19	61	208-230/460	6.2	81.50	1.15	18.51	S, US, 13

Note 12 - TENV

Specifications are subject to change without notice

♥ Note listing on inside back flap



View On-line Technical Information



# Washguard® Motors

## Washdown Duty Brakemotors

### White Epoxy Painted

Explosion Proof Motors

Automotive Duty Motors

Pump Motors

Washguard® Motors

Agricultural Motors

HVAC / Fan Motors

Special Voltage Motors

Definite Purpose Motors

Brake Motors

## Washguard® Coupler Brakes

Larger coupler brakes on page 274.

Solid die-cast aluminum Stearns NEMA 4X coupler brake converts any TEFC or TENV 56C thru 145TC motor to a fail-safe brakemotor by mounting between the C-face motor and driven equipment. Food safe white epoxy finish. BISSC Certified. Adds 5" to the overall length of 56C thru 145TC WASHGUARD® TEFC or TENV motors. Includes all mounting components.



### For Both Single and Three Phase Motors

Cat. No. 115/230V Single Phase	List Price	Cat. No. 230/460V Three Phase	List Price	Cat. No. 575V Three Phase	List Price	Brake Rating (ft-lbs)	Max. HP @ 1725 rpm	Mounts to NEMA Frame	Coupler Brake Output Shaft and Face	App. Wt. (lbs.)
175566.00	1,253	175567.00	1253	175568.00	1,253	3	1	56C	5/8", 56C	13.0
175572.00	1,348	175573.00	1348	175574.00	1,348	6	2	56C/143-5TC	5/8", 56C	14.0

Specifications are subject to change without notice

## Washguard® Brakekits™

Kit of components including a Stearns NEMA 4X brake to convert 56 thru 145T frame stock TEFC only motors to fail-safe brakemotors. Food safe white epoxy finish. BISSC Certified. Adds 5 1/8" to the overall length of 56 thru 145T WASHGUARD® TEFC motors.



### For 230/460V Three Phase and 230V Single Phase Motors

Brake Rating (ft-lbs)	Mounts to NEMA Frame	Max. HP @ 1725rpm	Cat. No. 230/460 V Brake Coil Voltage	List Price	(lbs.)
3	56/143-5T	1	175771.00*	1,393	24
6	56/143-5T	2	175772.00*	1,468	36
10	56/143-5T	3	175773.00*	1,547	43

\* For 56/145 frame motors having a "B" for the suffix letter for the date code and having a face mount fan guard.

Specifications are subject to change without notice



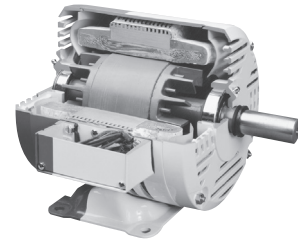
# Washguard Motors

## Lincoln Wash -Thru™ Motors

### 230/460 Volts - Three Phase - Foot Mount & C Face

#### Features:

- Pressure encapsulation technology - winding endcoils totally encapsulated
- 303 Stainless shaft
- Double sealed bearings
- FDA approved white finish coat
- Stainless laser etched nameplate



#### Applications:

Exceptional choice for demanding uses in poultry, seafood, meat and other food processing plants. Other applications include areas where a high degree of dust, moisture, and vibration exist.

### Three Phase - Drip-Proof - Rigid Base - Encapsulated

HP	SYN RPM 60 Hz	NEMA Frame	▼ Catalog Number	Stock	List Price	Model Number	App. Wgt. (lbs)	Voltage	F. L. Amps @ 230 V	% F.L. Eff.	Service Factor	"C" Dim. (Inches)	♥ Notes
1/2	3600	56	LM21031	C/A	1,001	SREW2S0.5T61	30	230/460	2.4	70.0	1.00	—	S, US
	1800	56	LM20655	C/A	1,079	SREW4S0.5T61	26	230/460	—	68.0	1.00	10.44	S, US
3/4	3600	56	LM21034	√	1,062	SREW2S0.75T61	30	230/460	—	74.0	1.00	—	S, US
	1800	56	LM20658	C/A	1,119	SREW4S0.75T61	24	230/460	3.0	75.5	1.00	10.44	S, US
1	3600	56	LM21037	C/A	1,154	SREW2S1T61	30	230/460	3.2	78.5	1.00	11.44	S, US
	1800	56	LM21061	C/A	1,172	SREW4S1T61	30	230/460	3.2	77.0	1.00	10.44	S, US
1 1/2	3600	56	LM21040	C/A	1,231	SREW2S1.5T61	30	230/460	—	78.5	1.00	—	S, US
	3600	143T	LM21046	√	1,281	SSEW2S1.5T61	35	230/460	4.6	78.5	1.00	11.49	S, US
	1800	56H	LM21062	C/A	1,221	SREW4S1.5T61	30	230/460	4.8	80.0	1.00	10.94	S, US
	1800	145T	LM20670	C/A	1,221	SSEW4S1.5T61	35	230/460	4.8	80.0	1.00	10.99	S, US
2	3600	145T	LM21049	C/A	1,428	SSEW2S2T61	35	230/460	6.6	82.5	1.00	10.99	S, US
	1800	56H	LM21063	√	1,497	SREW4S2T61	34	230/460	6.2	81.5	1.00	10.94	S, US
	1800	145T	LM20673	√	1,461	SSEW4S2T61	35	230/460	6.2	81.5	1.00	11.99	S, US
3	3600	182T	LM21052	√	1,705	SSEW2S3T61	64	230/460	—	81.5	1.00	—	S, US
	1800	182T	LM20676	√	1,907	SSEW4S3T61	64	230/460	7.8	89.5	1.00	14.22	S, US
5	3600	184T	LM21055	C/A	2,412	SSEW2S5T61	70	230/460	12.4	81.5	1.00	14.22	S, US
	1800	184T	LM20679	C/A	2,169	SSEW4S5T61	70	230/460	13.2	87.5	1.00	14.22	S, US
7 1/2	3600	213T	LM22423	√	3,003	SSEW2S7.5T61	109	230/460	19.0	81.5	1.00	17.30	S, US
	1800	213T	LM22435	√	2,761	SSEW4S7.5T61	109	230/460	19.2	81.5	1.00	15.80	S, US
10	3600	215T	LM22426	√	3,582	SSEW2S10T61	125	230/460	24.0	84.0	1.00	17.30	S, US
	1800	215T	LM22438	C/A	3,154	SSEW4S10T61	125	230/460	25.0	84.0	1.00	17.30	S, US

▼ LM Numbers are Lincoln Models

C/A - Check Availability

Specifications are subject to change without notice

♥ Note listing on inside back flap



View On-line Technical Information



# Washguard Motors

## Lincoln Wash -Thru™ Motors

### Three Phase - Drip-Proof - C Face Less Base

HP	SYN RPM 60 Hz	NEMA Frame	▼ Catalog Number	Stock	List Price	Model Number	App. Wgt. (lbs)	Voltage	F. L. Amps @ 230 V	% F.L. Eff.	Service Factor	"C" Dim. (Inches)	♥ Notes
1/2	3600	56C	LM21033	C/A	1,055	SREW2S0.5TCN61	35	230/460	—	70.0	1.00	—	S, US
	1800	56C	LM20657	√	1,135	SREW4S0.5TCN61	35	230/460	2.4	74.0	1.00	10.43	S, US
3/4	3600	56C	LM21036	C/A	1,117	SREW2S0.75TCN61	35	230/460	—	74.0	1.00	—	S, US
	1800	56C	LM20660	√	1,173	SREW4S0.75TCN61	35	230/460	3.0	77.0	1.00	10.43	S, US
1	3600	56C	LM21039	C/A	1,209	SREW2S1TCN61	35	230/460	3.2	75.5	1.00	10.43	S, US
	1800	56C	LM20662	C/A	1,224	SREW4S1TCN61	35	230/460	3.6	78.5	1.00	10.93	S, US
	1800	143TC	LM20669	C/A	1,224	SSEW4S1TCN61	40	230/460	3.6	78.5	1.00	10.99	S, US
1 1/2	3600	56C	LM21042	C/A	1,287	SREW2S1.5TCN61	35	230/460	—	78.5	1.00	—	S, US
	3600	143TC	LM21048	C/A	1,332	SSEW2S1.5TCN61	40	230/460	—	78.5	1.00	—	S, US
	1800	56HC	LM20664	C/A	1,279	SREW4S1.5TCN61	35	230/460	4.8	80.0	1.00	10.93	S, US
	1800	145TC	LM20672	C/A	1,279	SSSEW4S1.5TCN61	40	230/460	4.8	80.0	1.00	10.99	S, US
2	3600	56HC	LM21045	C/A	1,425	SREW2S2TCN61	40	230/460	6.6	78.5	1.00	10.93	S, US
	3600	145TC	LM21051	C/A	1,480	SSEW2S2TCN61	40	230/460	6.6	78.5	1.00	10.99	S, US
	1800	56HC	LM20666	C/A	1,551	SREW4S2TCN61	40	230/460	6.2	81.5	1.00	11.93	S, US
	1800	145TC	LM20675	√	1,515	SSEW4S2TCN61	40	230/460	6.2	81.5	1.00	11.99	S, US

▼ LM Numbers are Lincoln Models

♥ Note listing on inside back flap

C/A - Check Availability

Specifications are subject to change without notice

View On-line Technical Information



Explosion Proof Motors

Automotive Duty Motors

Pump Motors

Washguard® Motors

Agricultural Motors

HVAC / Fan Motors

Special Voltage Motors

Definite Purpose Motors

Brake Motors



Explosion Proof  
Motors

# Washguard® Motors

## DC Washdown Duty Motors

### White Epoxy Painted

Automotive  
Duty Motors

## DC - SCR Rated 90 & 180 Volts - TENV IP55- C Face with Removable Base

HP	Full Load RPM	NEMA Frame	Catalog Number	Stock	List Price	Model Number	App. Wgt. (lbs)	Arm. Volts DC	Control Volts AC Input	F. L. Amps DC	"C" Dim. (Inches)	♥Notes
1/4	1750	S56C	108423.00	✓	830	C4D17VK9C	23	90	115	2.7	10.69	S, US, 12
	1750	SS56C	098375.00	C/A	830	C42D17VK1	21	180	230	1.4	10.22	S, US, 12
1/3	1750	S56C	108424.00	✓	878	C4D17VK10	26	90	115	3.5	11.69	S, US, 12
	1750	SS56C	098376.00	C/A	878	C42D17VK2	22	180	230	1.7	10.22	S, US, 12
1/2	1750	S56C	108226.00	✓	984	C4D17VK1	38	90	115	4.9	13.69	S, US, 12
	1750	S56C	108227.00	✓	984	C4D17VK2	43	180	230	2.4	13.69	S, US, 12
3/4	1750	S56C	108228.00	✓	1,194	C4D17VK3	53	90	115	7.0	15.69	S, US, 12
	1750	S56C	108229.00	✓	1,194	C4D17VK4	50	180	230	3.5	15.69	S, US, 12
1	1750	S56C	108230.00	✓	1,455	C4D17WK1	45	90	115	10.0	15.81	S, US, 13
	1750	S56C	108231.00	✓	1,455	C4D17WK2	42	180	230	5.0	14.81	S, US, 13
1 1/2	1750	S56C	108232.00	✓	1,859	C4D17WK3	50	180	230	7.6	15.81	S, US, 13

Note 13 - TEFC

C/A - Check Availability

Specifications are subject to change without notice

♥ Note listing on inside back flap

Pump  
MotorsWashguard®  
MotorsAgricultural  
Duty Motors

## Washguard® - DC - IEC Frame

### 180 Volts - TENV IP55 - B5 Flange With Removable B3 Base

HP/ kW	Full Load RPM	NEMA Frame	Catalog Number	Stock	List Price	Model Number	App. Wgt. (lbs)	Arm. Volts DC	Control Volts AC Input	F. L. Amps DC	"C" Dim. (Inches)	♥Notes
1/2 - .37	1750	71	098040.00	C/A	870	42D17VD1	22	180	230	2.5	10.69	S, US
3/4 - .55	1750	80	108407.00	D	1,179	4D17VD1	52	180	230	3.5	16.02	S, US

C/A - Check Availability

D - Item to be discontinued once inventory has been depleted

Specifications are subject to change without notice

♥ Note listing on inside back flap

HVAC / Fan  
MotorsSpecial Voltage  
Motors

If base is removed, do not reinstall bolts without using washers to compensate for the thickness of base.

These WASHGUARD® motors are modular design but stocked with B5 flange and B3 foot. The foot is removable. The B5 flange can be replaced with a B14 face or other diameter B5 flanges noted on page 157.

All Washdown Duty Motors Have Class F Insulation.

Definite  
Purpose Motors

Brake Motors



View On-line Technical Information





# Washguard® Motors

## SUB-FHP IP55 Washguard® Motors

### White Epoxy Painted

Explosion Proof Motors

Automotive Duty Motors

Pump Motors

Washguard® Motors

Agricultural Motors

HVAC / Fan Motors

Special Voltage Motors

Definite Purpose Motors

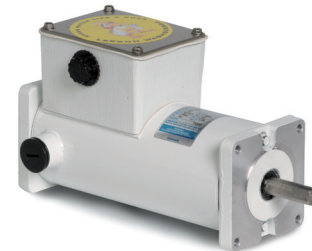
Brake Motors

#### General Specifications:

Precision subfractional horsepower DC permanent magnet motors. Designed for use with fullwave non-filtered SCR controls or battery supplied low voltage for adjustable speed applications requiring constant torque throughout the speed range.

#### Features:

- 303 Stainless steel shaft resists corrosion
- Lubricated spring loaded contact seals prevent moisture from entering the motor
- Double sealed, Oversize bearings with high temp lubricant
- Exterior and interior components protected against moisture, acids, alkalies and oil
- Cast conduit box for superior sealing includes:
  - Threaded conduit entrance
  - Drain holes
  - Nitrile gaskets
  - 304 stainless steel conduit box cover
  - Stainless steel hardware
- USDA Approved white epoxy finish
- Nylon seals at bolt heads for superior sealing
- O ring sealed brush covers



### 90 Volts DC - TENV - Square Flange Less Feet

HP	Full Load RPM	NEMA Frame	▼ Catalog Number	Stock	List Price	Model Number	App. Wgt. (lbs)	Arm. Volts DC	Control Volts AC Input	F. L. Amps DC	"C" Dim. (Inches)	♥Notes
1/8	1800	31S	M1120181.00	√	516	M31D17VZ1	11	90	115.0	1.5	8.57	S, US
1/6	1800	31S	M1120183.00	√	523	M31D17VZ3	11	90	115.0	1.9	10.07	S, US
1/4	3600	32F42CZ	M1120185.00	√	569	M32D25VC1	13	90	115.0	1.9	10.00	S, US

Specifications are subject to change without notice

♥ Note listing on inside back flap

### Low Voltage - 12 Volt - TENV - Square Flange or C Face

HP	Full Load RPM	NEMA Frame	▼ Catalog Number	Stock	List Price	Model Number	App. Wgt. (lbs)	Arm. Volts DC	F. L. Amps DC	"C" Dim. (Inches)	♥Notes
1/8	1800	31S	M1120182.00	√	537	M31D17VZ2	7	12	10.5	8.1	S, US
1/6	1800	31S	M1120184.00	√	544	M31D17VZ4	11	12	14.5	9.6	S, US
1/4	3600	32F42CZ	M1120186.00	√	591	M32D25VC2	13	12	20.0	9.5	S, US

Specifications are subject to change without notice

♥ Note listing on inside back flap

View On-line Technical Information



## Washguard® Motors

### IP55 Washguard® Gearmotors - Parallel Shaft White Epoxy Painted



#### General Specifications - SCR rated Gearmotors:

- Performance matched for continuous duty service over 60:1 speed range
- Constant torque throughout the range when powered by a full-wave unfiltered SCR-type adjustable speed control having a typical form factor of 1.3 to 1.4

#### General Specifications - Low voltage Gearmotors:

- Performance matched for continuous duty service
- Designed for battery power or can be used with a low voltage controller with form factor up to 1.05

#### Features:

- Gearbox output shafts are coated with Mirolon 3300 fortified Teflon for superior corrosion resistance
- Frame, endshields, armature and interior components protected by enamel and polyester compounds for resistance to moisture, acids, alkalies and oil
- Precision machined in-line steel gears
- First stage steel helical gear followed by spur-type gears
- Lubrication is permanent semi-fluid grease, reducing possibility of leakage
- Output shafts have needle bearings for high load capacities
- Gearbox shafts are hardened steel
- Cast conduit box with threaded conduit holes and Nitrile gaskets keep water out
- Conduit box cover is made from 304 stainless steel
- For any condensation that may accumulate inside the motor, a one-way stainless steel vapor vent is provided
- All hardware is stainless steel
- Painted with white epoxy for superior corrosion resistance and protection
- Machined fits between the endbells and motor frame are sealed with gaskets
- Thru-bolt heads and nuts sealed with fiber washers
- O-rings under each threaded brush cover

#### Application Notes :

- Extended life in wet, high humidity applications
- Design repels water from entering motor
- Internal components protected against rust and corrosion
- These gearmotors are designed for mounting at any angle, but motor below the reducer should be avoided to prevent leakage of lubricant into the motor should the motor shaft seal fail
- Overhung load capacities shown are at center of output shaft
- Motor's stall torque could exceed recommended full load torques. A current limiting device such as an SCR control should be used to prevent damage. This issue is even more critical for low voltage motors, typically no controller is used since motor is connected directly to a battery, so some type of current limit or fusing should be considered.
- USDA approved white epoxy finish
- **Bison/Dayton direct interchange**





## Washguard® Motors

### IP55 Washguard® Gearmotors - Parallel Shaft White Epoxy Painted



#### General Specifications - SCR rated Gearmotors:

- Performance matched for continuous duty service over 60:1 speed range
- Constant torque throughout the range when powered by a full-wave unfiltered SCR-type adjustable speed control having a typical form factor of 1.3 to 1.4

#### General Specifications - Low voltage Gearmotors:

- Performance matched for continuous duty service
- Designed for battery power or can be used with a low voltage controller with form factor up to 1.05

#### Features:

- Gearbox output shafts are coated with Mirolon 3300 fortified Teflon for superior corrosion resistance
- Frame, endshields, armature and interior components protected by enamel and polyester compounds for resistance to moisture, acids, alkalies and oil
- Precision machined in-line steel gears
- First stage steel helical gear followed by spur-type gears
- Lubrication is permanent semi-fluid grease, reducing possibility of leakage
- Output shafts have needle bearings for high load capacities
- Gearbox shafts are hardened steel
- Cast conduit box with threaded conduit holes and Nitrile gaskets keep water out
- Conduit box cover is made from 304 stainless steel
- For any condensation that may accumulate inside the motor, a one-way stainless steel vapor vent is provided
- All hardware is stainless steel
- Painted with white epoxy for superior corrosion resistance and protection
- Machined fits between the endbells and motor frame are sealed with gaskets
- Thru-bolt heads and nuts sealed with fiber washers
- O-rings under each threaded brush cover

#### Application Notes :

- Extended life in wet, high humidity applications
- Design repels water from entering motor
- Internal components protected against rust and corrosion
- These gearmotors are designed for mounting at any angle, but motor below the reducer should be avoided to prevent leakage of lubricant into the motor should the motor shaft seal fail
- Overhung load capacities shown are at center of output shaft
- Motor's stall torque could exceed recommended full load torques. A current limiting device such as an SCR control should be used to prevent damage. This issue is even more critical for low voltage motors, typically no controller is used since motor is connected directly to a battery, so some type of current limit or fusing should be considered.
- USDA approved white epoxy finish
- **Bodine/Baldor direct interchange**







# Washguard® Motors

## IP55 Washguard® Gearmotors - Parallel Shaft

### White Epoxy Painted

### TENV - 1.0 Service Factor - SCR Rated 90V

Output RPM	F.L Torque (Lb.In.)	Input HP	Catalog Number	Stock	List Price	Model Number	Gearmotor Type & Frame	Ratio to 1	DC Arm. Volts	Full Load Amps DC	Over-hung Load (Lbs.)
14	341	1/8	M1125268.00	✓	908	M31D25VZ1	P353-31	180	90	1.5	465
42	280	1/4	M1125269.00	✓	940	M32D25VZ1	P353-32	58	90	2.6	327
83	155	1/4	M1125270.00	✓	915	M32D25VZ2	P353-32	29	90	2.6	267
250	45	1/4	M1125271.00	✓	915	M32D25VZ3	P352-32	10	90	2.6	201
500	25	1/4	M1125272.00	✓	915	M32D25VZ4	P352-32	5	90	2.6	194

P	PB	X Inches	XL	XH
3.13	3.8	3.45	11.84	9.84
3.25	3.8	3.45	13.84	11.84
3.25	3.8	3.45	13.84	11.84
3.25	3.8	3.45	13.84	11.84
3.25	3.8	3.45	13.84	11.84

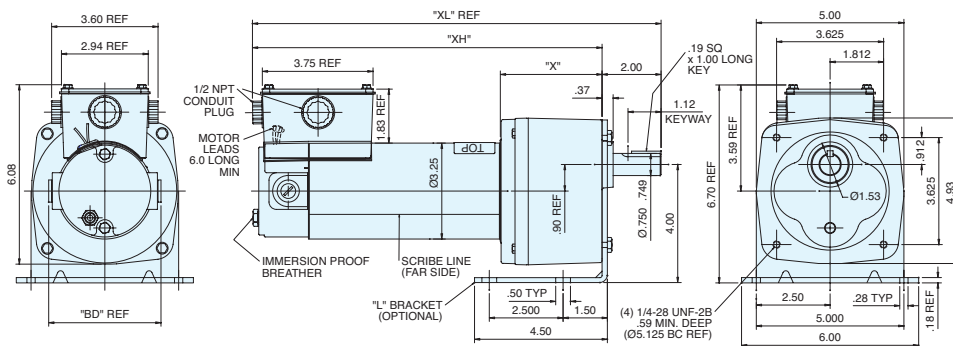
Specifications are subject to change without notice

### PE350 Series Parallel Shaft - TENV - 1.0 Service Factor - Low Voltage 12V

Output RPM	F.L Torque (Lb.In.)	Input HP	Catalog Number	Stock	List Price	Model Number	Gearmotor Type & Frame	Ratio to 1	DC Arm. Volts	Full Load Amps DC	Over-hung Load (Lbs.)
14	341	1/8	M1125273.00	✓	930	M31D25VZ2	P353-31	180	12	12.0	465
42	325	1/4	M1125274.00	✓	983	M32D25VZ5	P353-32	58	12	20.0	327

P	PB	X Inches	XL	XH
3.13	4.43	3.45	11.58	9.58
3.25	4.43	3.45	13.84	11.84

Specifications are subject to change without notice



View On-line Technical Information



Explosion Proof Motors

Automotive Duty Motors

Pump Motors

Washguard® Motors

Agricultural Motors

HVAC / Fan Motors

Special Voltage Motors

Definite Purpose Motors

Brake Motors

## Washguard® Motors

### IP55 Washguard® Right Angle Gearmotors White Epoxy Painted



#### General Specifications - SCR rated Gearmotors:

- Performance matched for continuous duty service over 60:1 speed range
- Constant torque throughout the range when powered by a full-wave unfiltered SCR-type adjustable speed control having a typical form factor of 1.3 to 1.4

#### General Specifications - Low voltage Gearmotors:

- Performance matched for continuous duty service
- Designed for battery power or can be used with a low voltage controller with form factor up to 1.05

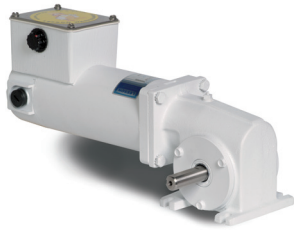
#### Features:

- 303 stainless steel gearbox output shaft
- Frame, endshields, armature and interior components protected by enamel and polyester compounds for resistance to moisture, acids, alkalies and oil
- Cast conduit box with threaded conduit holes and Nitrile gaskets keep water out
- Conduit box cover is made from 304 stainless steel
- For any condensation that may accumulate inside the motor, a one-way stainless steel vapor vent is provided
- All hardware is stainless steel
- Painted with white epoxy for superior corrosion resistance and protection
- Machined fits between the endbells and motor frame are sealed with gaskets
- Thru-bolt heads and nuts sealed with fiber washers
- O-rings under each threaded brush cover
- Worm-type right-angle gearing features hardened, steel worm with bronze worm wheel for long life and quiet operation
- Precision machined aluminum gear housing
- Lubrication is permanent with an oil bath
- Gearbox has all ball bearings
- Output shaft is field interchangeable from left hand to right hand style by reassembly
- Double output shaft available as a factory option

#### Application Notes :

- These right-angle gearmotors have a lubrication breather positioned for horizontal mounting. For other mountings, the breather plug must be reoriented by using a 90 deg 1/8" NPT taper pipe elbow (See drawing). Elbow not available from LEESON
- These gearmotors are designed for mounting at any angle, but motor below the reducer should be avoided to prevent leakage of lubricant into the motor should the motor shaft seal fail
- Overhung load capacities shown are at center of output shaft
- For additional information, see Bulletin 1830





# Washguard® Motors

## IP55 Washguard® Right Angle Gearmotors

### White Epoxy Painted

### TENV - 1.0 Service Factor - SCR Rated 90V

Output RPM	F.L Torque (Lb.In.)	Input HP	Catalog Number	Stock	List Price	Model Number	Gearmotor Type & Frame	Ratio to 1	DC Arm. Volts	Full Load Amps DC	Over-hung Load (Lbs.)
42	80	1/8	M1125275.00	✓	908	M31D25VZ3	13F60-31	60	90	2.2	235
250	25	1/8	M1125276.00	✓	908	M31D25VZ4	13F10-31	10	90	2.2	235
62	135	1/4	M1125277.00	✓	915	M32D25VZ6	13F40-32	40	90	3.7	235
125	90	1/4	M1125278.00	✓	915	M32D25VZ7	13F20-32	20	90	3.7	235
250	50	1/4	M1125279.00	✓	915	M32D25VZ8	13F10-32	10	90	3.7	235

P	PB	X Inches	XL	XH
3.13	3.8	4.5	10.86	6.36
3.13	3.8	4.5	10.86	6.36
3.25	3.8	4.5	12.86	8.36
3.25	3.8	4.5	12.86	8.36
3.25	3.8	4.5	12.86	8.36

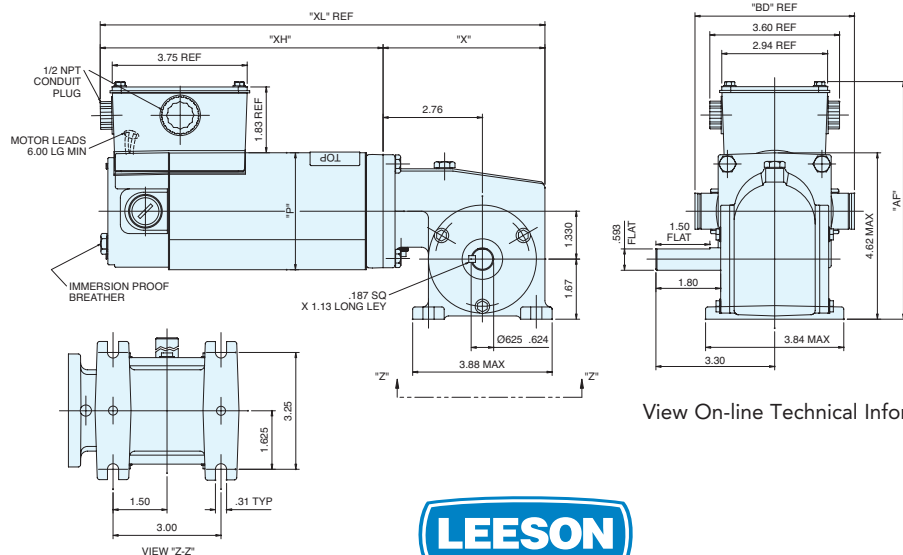
Specifications are subject to change without notice

### PE350 Series Parallel Shaft - TENV - 1.0 Service Factor - Low Voltage 12V

Output RPM	F.L Torque (Lb.In.)	Input HP	Catalog Number	Stock	List Price	Model Number	Gearmotor Type & Frame	Ratio to 1	DC Arm. Volts	Full Load Amps DC	Over-hung Load (Lbs.)
62	135	1/4	M1125280.00	✓	869	M32D25VZ9	13F40-32	40	12	28.0	235
125	90	1/4	M1125281.00	✓	869	M32D25VZ10	13F20-32	20	12	28.0	235

P	PB	X Inches	XL	XH
3.25	4.43	4.5	12.36	7.86
3.25	4.43	4.5	12.36	7.86

Specifications are subject to change without notice



View On-line Technical Information



Explosion Proof Motors

Automotive Duty Motors

Pump Motors

Washguard® Motors

Agricultural Motors

HVAC / Fan Motors

Special Voltage Motors

Definite Purpose Motors

Brake Motors

Explosion Proof  
MotorsAutomotive  
Duty MotorsPump  
MotorsWashguard®  
MotorsAgricultural  
Duty MotorsHVAC / Fan  
MotorsSpecial Voltage  
MotorsDefinite  
Purpose Motors

Brake Motors

## Washguard® Motors

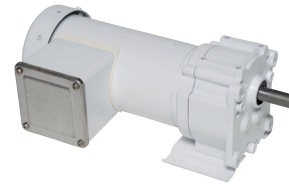
### IP55 AC Washguard® Gearmotors

#### Parallel Shaft - White Epoxy Painted



#### Features:

- Single phase PSC designs include capacitor inside conduit box
- These gearmotors are designed for mounting at any angle, but motor below the reducer should be avoided to prevent leakage of lubricant into the motor should the motor shaft seal fail
- Shaft material coated with Teflon/Ceramic plating
- White epoxy painted motors
- O-rings and gaskets used for sealing
- Hardened Worm-type gearing used
- Interior components protected against corrosion
- Ball bearings used in gear housing
- Sealed output shafts
- Output shafts have needle bearings for high load capacities
- UL listed and CSA certified
- **Bison/Dayton direct interchange**



### P240 series AC Washdown Duty Gearmotors

Output RPM	F.L Torque (Lb.In.)	Input HP	Catalog Number	Stock	List Price	Model Number	Gearmotor Type & Frame	Ratio to 1	Voltage	Phase	F.L. Amps @ 230 V	Over-hung Load (Lbs.)
16	391	5/32	M1145138.00	✓	935	CM38P17FZ39	P240	103	115/230	1.0	1.05	399
40	219	5/32	M1145139.00	✓	935	CM38P17FZ40	P240	43	115/230	1.0	1.00	303
156	60	5/32	M1145140.00	✓	858	CM38P17FZ41	P240	10.6	115/230	1.0	1.00	201
16	391	1/6	M1145144.00	✓	935	CM38T17FZ20	P240	103	230	3.0	0.72	237
30	295	1/6	M1145145.00	✓	935	CM38T17FZ21	P240	58	230	3.0	0.72	237

Specifications are subject to change without notice

♥ Note listing on inside back flap



View On-line Technical Information





# Washguard® Motors

## IP55 AC Washguard® Gearmotors Right Angle

### Features:

- Single phase PSC designs include capacitor inside conduit box
- These gearmotors are designed for mounting at any angle, but motor below the reducer should be avoided to prevent leakage of lubricant into the motor should the motor shaft seal fail
- Shaft material coated with Teflon/Ceramic plating
- White epoxy painted motors
- O-rings and gaskets used for sealing
- Hardened Worm-type gearing used
- Interior components protected against corrosion
- Ball bearings used in gear housing
- Sealed output shafts
- Output shafts have needle bearings for high load capacities
- UL listed and CSA certified



### Right Angle Series AC Washdown Duty Gearmotors

Output RPM	F.L Torque (Lb.in.)	Input HP	Catalog Number	Stock	List Price	Model Number	Gearmotor Type & Frame	Ratio to 1	Voltage	Phase	F.L. Amps @ 230 V	Over-hung Load (Lbs.)
43	113	1/6	M1145141.00	✓	785	CM38P17FZ42	Right-Angle	40	115/230	1	1.00	235
83	75	1/6	M1145142.00	✓	963	CM38P17FZ43	Right-Angle	20	115/230	1	1.00	235
340	23	1/6	M1145143.00	✓	963	CM38P17FZ44	Right-Angle	5	115/230	1	1.40	235
29	220	1/6	M1145146.00	✓	963	CM38T17FZ22	Right-Angle	60	230	3	1.30	235
172	105	1/6	M1145147.00	✓	963	CM38T17FZ23	Right-Angle	10	230	3	1.30	235

Specifications are subject to change without notice

♥ Note listing on inside back flap

Explosion Proof Motors

Automotive Duty Motors

Pump Motors

Washguard® Motors

Agricultural Motors

HVAC / Fan Motors

Special Voltage Motors

Definite Purpose Motors

Brake Motors

View On-line Technical Information





# Washguard® Motors

## Chemical Resistance Comparison



- Explosion Proof Motors
- Automotive Duty Motors
- Pump Motors
- Washguard® Motors
- Agricultural Duty Motors
- HVAC / Fan Motors
- Special Voltage Motors
- Definite Purpose Motors
- Brake Motors

Chemical Name	% Concentration	Exposure	White Epoxy	Stainless Steel
Fresh Water	100	Continuous	Excellent	Excellent
Salt Water	5	Continuous	Excellent	Excellent
Salt Brine	Dilute	Continuous	Fair	Good
Ammonium Hydroxide	Dilute	Continuous	Good	Excellent
Calcium Hydroxide (Lime)	100	Intermittent	Good	Excellent
Citric Acid	10	Continuous	Good	Excellent
Ethylene Glycol	100	Continuous	Excellent	Excellent
Hydrochloric Acid	37	Intermittent	Good	Poor
Lactic Acid	Dilute	Intermittent	Excellent	Excellent
Lactic Acid	100	Intermittent	Fair	Fair
Mineral Spirits	100	Continuous	Excellent	Excellent
Potassium Hydroxide	50	Intermittent	Fair	Fair
Sodium Hydroxide	5	Continuous	Fair	Excellent
Sodium Hydroxide	20	Continuous	Fair	Excellent
Sodium Hydroxide	50	Continuous	Excellent	Excellent
Sodium Hypochlorite (Bleach)	15	Intermittent	Excellent	Excellent
Sulfuric Acid	10	Intermittent	Fair	Fair
Toluene	100	Continuous	Fair	Fair
Animal Fats	NA	Continuous	Excellent	Excellent
Mineral Oils	NA	Continuous	Excellent	Excellent
Vegetable Oils	NA	Continuous	Excellent	Excellent
Cutting Oils	NA	Continuous	Excellent	Excellent
Detergents	NA	Continuous	Excellent	Excellent
Gasoline	NA	Continuous	Fair	Fair
Hydraulic Fluid	NA	Continuous	Excellent	Excellent
Lubricating Oils	NA	Continuous	Excellent	Excellent
General Weathering	NA	Continuous	Fair	Excellent
Mold/Mildew	NA	Continuous	Excellent	Excellent
Light Abrasion	NA	Continuous	Excellent	Excellent
Heavy Abrasion	NA	Continuous	Fair	Excellent





Typical applications include food processing areas requiring frequent sanitation procedures using high pressure cleaning with concentrated caustic solutions, areas of high humidity and in chemical environments.

**Features:**

- Paint free exterior
- BISSC certified for the Baking Industry
- Stainless Steel Output shafts
- Repositional drain plugs for all angle mounting
- Double Sealed bearings
- Output shaft seal
- Inverter Duty IRIS™ insulation system



**Stainless Frame - TENV - C Face Less Base**

HP	SYN RPM 60 Hz	NEMA Frame	Catalog Number	Stock	List Price	Model Number	App. Wgt. (lbs)	Voltage	F. L. Amps @ 230 V	% F.L. Eff.	Service Factor	"C" Dim. (Inches)	♥Notes
1/2	1800	56C	114394.00	√	836	CZ6T17VC10	30	208-230/460	1.6	78.5	1.15	11.06	S, US, 12
3/4	1800	56C	114395.00	√	967	CZ6T17VC11	34	208-230/460	2.3	80.0	1.15	11.56	S, US, 12
1	1800	56C	114437.00	√	1,004	CZ6T17VC12	44	208-230/460	3.0	81.5	1.15	12.06	S, US, 12
	1800	143TC	121109.00	√	1,004	CZ143T17VC2	40	208-230/460	3.0	81.5	1.15	12.13	S, US, 12
1 1/2	1800	56C	114581.00	√	1,053	CZ6T17WC14	45	208-230/460	4.4	84.0	1.15	12.69	S, US, 13
	1800	145TC	G121350.00	√	1,053	CZ145T17WC29	45	208-230/460	4.4	82.5	1.15	13.25	S, US, 13
2	1800	56C	114582.00	√	1,195	CZ6T17WC11	51	208-230/460	5.6	84.0	1.15	13.69	S, US, 13
	1800	145TC	G121351.00	√	1,195	CZ145T17WC30	52	208-230/460	5.6	84.0	1.15	13.75	S, US, 13

Note 12 - TENV

♥ Note listing on inside back flap

Specifications are subject to change without notice

**Stainless Frame - TENV - C Face With Base**

HP	SYN RPM 60 Hz	NEMA Frame	Catalog Number	Stock	List Price	Model Number	App. Wgt. (lbs)	Voltage	F. L. Amps @ 230 V	% F.L. Eff.	Service Factor	"C" Dim. (Inches)	♥Notes
1/2	1800	56HC	114560.00	√	845	CZ6T17VK3	34	208-230/460	1.6	78.5	1.15	11.56	S, US, 6, 12
3/4	1800	56HC	114561.00	√	977	CZ6T17VK4	38	208-230/460	2.3	80.0	1.15	12.06	S, US, 6, 12
1	1800	56HC	114562.00	√	1,015	CZ6T17VK5	45	208-230/460	2.3	81.5	1.15	12.06	S, US, 6, 12
	1800	143TC	121165.00	√	1,015	CZ143T17VK2	45	208-230/460	2.3	81.5	1.15	12.13	S, US, 12
1 1/2	1800	145TC	121912.00	√	1,165	CZ145T14KW40	47	208-230/460	4.4	86.5	1.15	13.25	S, US, 13
2	1800	145TC	121913.00	√	1,362	CZ145T14WK41	54	208-230/460	5.6	86.5	1.25	13.75	S, US, 13

Green items are Premium Efficient

♥ Note listing on inside back flap

Note 12 - TENV

Specifications are subject to change without notice

View On-line Technical Information



Explosion Proof Motors

Automotive Duty Motors

Pump Motors

Washguard® Motors

Agricultural Motors

HVAC / Fan Motors

Special Voltage Motors

Definite Purpose Motors

Brake Motors

## Washguard® Motors

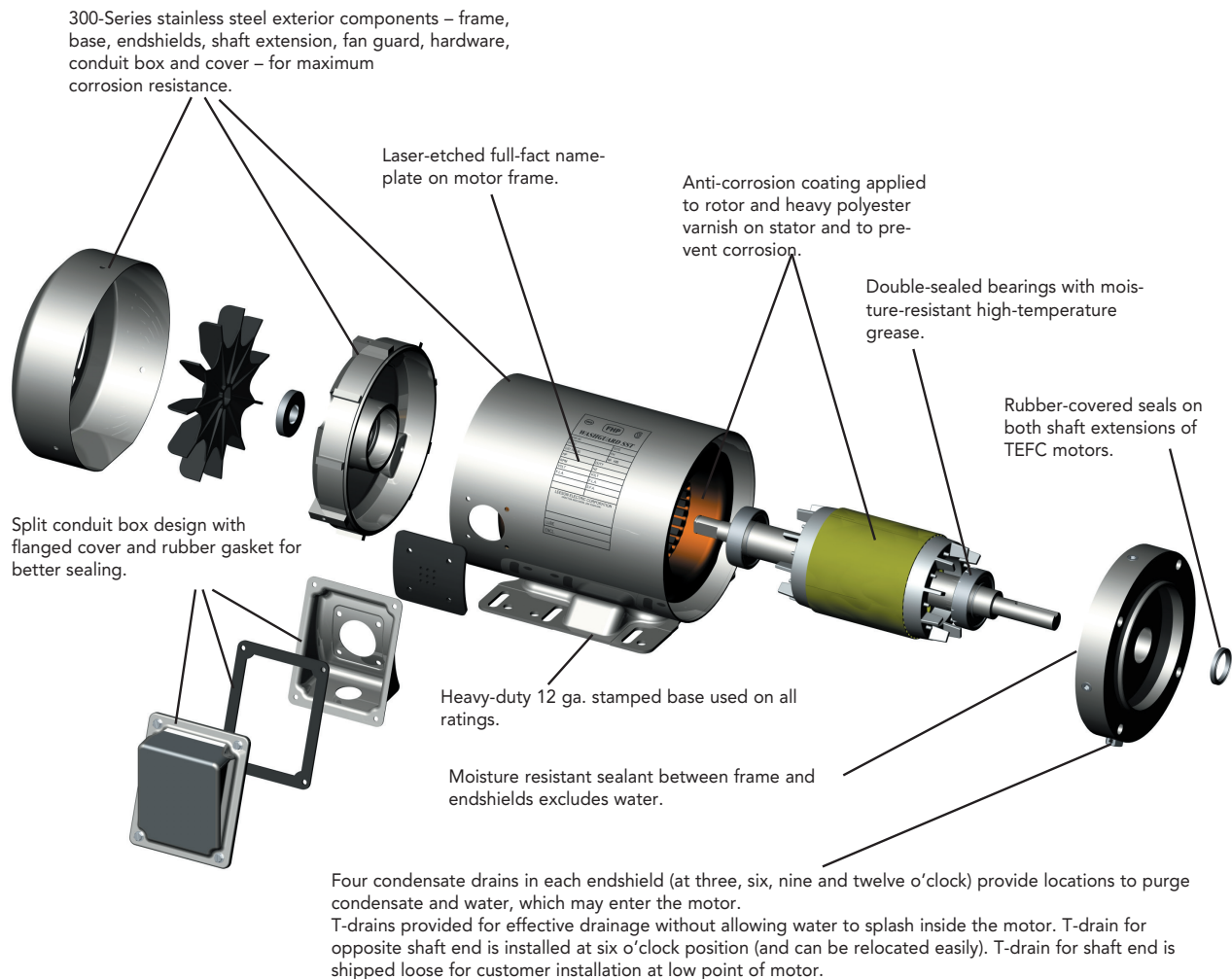
### SST - All Stainless Motors

# SST StainlessDuck



This member of LEESON's family of tough ducks is designed for long life in demanding washdown applications. LEESON's FHP WASHGUARD® SST All-Stainless motors are Stainless Steel Tough!

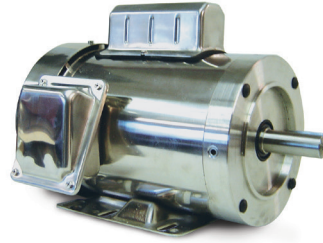
Built with all stainless steel external components to prevent corrosion and well sealed against moisture and condensation to protect internal components, the Washguard® SST all-stainless motors are able to withstand the severe washdown environments found in the food processing, chemical processing, and beverage industries.





# Washguard® Motors

## SST - All Stainless Motors



### Single-Phase - TEFC - C Face With Base

HP	SYN RPM 60 Hz	NEMA Frame	Catalog Number	Stock	List Price	Model Number	App. Wgt. (lbs)	Voltage	F. L. Amps @ 230 V	Service Factor	"C" Dim. (Inches)	♥Notes
1/2	3600	56C	191474.00	√	715	C6C34WK18	29.5	115/208-230	3.1	1.15	11.10	S, CN
	1800	56C	191475.00	√	806	C6C17WK14	31.5	115/208-230	4.1	1.15	11.10	S, CN
3/4	3600	56C	191476.00	√	787	C6C34WK19	31.5	115/208-230	4.5	1.15	11.80	S, CN
	1800	56C	191477.00	√	930	C6C17WK15	39.0	115/208-230	4.9	1.15	11.80	S, CN
1	3600	56C	191478.00	√	924	C6C34WK20	39.0	115/208-230	6.2	1.15	12.30	S, CN
	1800	56C	191479.00	√	971	C6C17WK16	42.5	115/208-230	6.8	1.15	12.30	S, CN
1 1/2	3600	56C	191480.00	√	1,017	C6K34WK2	42.5	115/208-230	8.8	1.15	13.20	S, CN
	1800	56C	191481.00	√	1,014	C6K17WK1	52.5	115/208-230	9.5	1.15	13.20	S, CN
2	3600	145TC	191482.00	√	1,311	C145K34WK2	64.5	115/208-230	10.8	1.15	14.20	S, CN
	1800	145TC	191483.00	√	1,286	C145K17WK3	64.5	115/208-230	9.0	1.15	14.20	S, CN

Specifications are subject to change without notice

♥ Note listing on inside back flap

View On-line Technical Information



Explosion Proof Motors

Automotive Duty Motors

Pump Motors

Washguard® Motors

Agricultural Motors

HVAC / Fan Motors

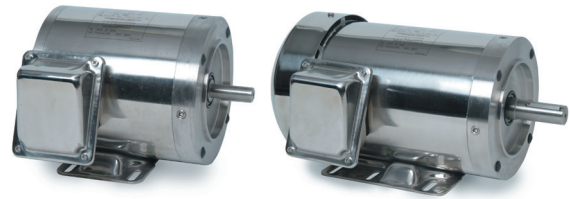
Special Voltage Motors

Definite Purpose Motors

Brake Motors

# Washguard® Motors

## SST - All Stainless Motors



### Three-Phase - TENV/TEFC - C Face With Base

HP	SYN RPM 60 Hz	NEMA Frame	Catalog Number	Stock	List Price	Model Number	App. Wgt. (lbs)	Voltage	F. L. Amps @ 230 V	% F.L. Eff.	Service Factor	"C" Dim. (Inches)	Notes	
1/3	3600	56C	191200.00	D	685	C6T34NK26	29	208-230/460	1.0	74.0	1.15	9.78	S, CN, 12	
	3600	56C	191200.40	✓	685	C6T34NK32	29	208-230/460	1.0	74.0	1.15	9.78	S, CN, 12	
	1800	56C	191201.00	D	767	C6T17NK29	30	208-230/460	1.3	78.5	1.15	9.78	S, CN, 12	
	1800	56C	191201.40	✓	767	C6T17NK40	30	208-230/460	1.3	78.5	1.15	9.78	S, CN, 12	
1/2	3600	56C	191203.00	D	701	C6T34NK27	32	208-230/460	1.5	77.0	1.15	9.78	S, CN, 12	
	3600	56C	191203.40	✓	701	C6T34NK33	32	208-230/460	1.5	77.0	1.15	9.78	S, CN, 12	
	1800	56C	191204.00	D	791	C6T17NK30	33	208-230/460	1.6	81.5	1.15	9.78	S, CN, 12	
	1800	56C	191204.40	✓	791	C6T17NK41	33	208-230/460	1.6	81.5	1.15	9.78	S, CN, 12	
	1800	56C	191949.00	✓	791	C6T17NK46	34	208-230/460	1.6	81.5	1.15	13.77	S, CN, 13	
	1200	56C	191414.00	D	860	C6T11NK4	36	208-230/460	2.0	78.5	1.15	9.76	S, CN, 12	
	1200	56C	191414.40	✓	860	C6T11NK7	36	208-230/460	2.0	78.5	1.15	9.76	S, CN, 12	
	3/4	3600	56C	191206.00	D	770	C6T34NK28	33	208-230/460	2.0	78.5	1.15	9.78	S, CN, 12
1	3600	56C	191206.40	✓	770	C6T34NK34	33	208-230/460	2.0	78.5	1.15	9.78	S, CN, 12	
	1800	56C	191207.00	D	910	C6T17NK31	38	208-230/460	2.3	82.5	1.15	9.78	S, CN, 12	
	1800	56C	191207.40	✓	910	C6T17NK48	38	208-230/460	2.3	82.5	1.15	9.78	S, CN, 12	
	1800	56C	191950.00	✓	910	C6T17WK40	39	208-230/460	2.3	82.5	1.15	13.77	S, CN, 13	
	1200	56C	191415.00	D	989	C6T11NK5	49	208-230/460	3.0	80.0	1.15	11.30	S, CN, 12	
	1200	56C	191415.40	✓	989	C6T11NK8	49	208-230/460	3.0	80.0	1.15	11.30	S, CN, 12	
	1	3600	56HC	191209.00	✓	904	C6T34FK85	41	208-230/460	2.6	80.0	1.15	13.77	S, CN, 6, 13
	3600	143TC	191486.00	✓	1,127	C143T34WK10	42	208-230/460	2.6	80.0	1.15	13.62	S, CN, 13	
1 1/2	1800	56C	191291.00	D	949	C6T17NK38	46	208-230/460	3.0	81.5	1.15	11.00	S, CN, 12	
	1800	56C	191291.40	✓	949	C6T17NK49	46	208-230/460	3.0	81.5	1.15	11.00	S, CN, 12	
	1800	56HC	191211.00	✓	949	C6T17FK81	47	208-230/460	3.0	82.5	1.15	13.77	S, CN, 6, 13	
	1800	143TC	191487.00	✓	1,183	C143T17WK14	48	208-230/460	3.0	85.5	1.15	13.62	S, CN, 13	
	1200	56HC	191417.00	✓	1,035	C6T11NK6	49	208-230/460	3.8	82.5	1.15	13.10	S, CN, 13	
	1200	145TC	191528.00	✓	1,039	C6T11NK6	49	208-230/460	3.8	82.5	1.15	13.20	S, CN, 13	
	1 1/2	3600	56HC	191215.00	✓	996	C6T34FK86	48	208-230/460	3.8	82.5	1.15	13.77	S, CN, 6, 13
	3600	143TC	191488.00	✓	1,245	C143T34WK12	49	208-230/460	3.8	84.0	1.15	13.62	S, CN, 13	
2	1800	56HC	191217.00	✓	989	C6T17FK82	48	208-230/460	4.8	84.0	1.15	13.77	S, CN, 6, 13	
	1800	145TC	191489.00	✓	1,233	C145T17WK35	49	208-230/460	4.8	86.5	1.15	13.62	S, CN, 13	
	3600	56HC	191221.00	✓	1,104	C6T34FK87	49	208-230/460	5.0	84.0	1.15	13.77	S, CN, 6, 13	
	3600	145TC	191490.00	✓	1,490	C145T34WK26	50	208-230/460	5.0	85.5	1.15	13.62	S, CN, 13	
	1800	56HC	191223.00	✓	1,130	C6T17FK83	52	208-230/460	5.8	84.0	1.15	13.77	S, CN, 6, 13	
	1800	145TC	191491.00	✓	1,463	C145T17WK37	53	208-230/460	5.8	86.5	1.15	13.62	S, CN, 13	
	3	3600	145TC	191492.00	✓	1,599	C145T34WK21	62	208-230/460	7.4	86.5	1.15	14.12	S, CN, 13

Green items are Premium Efficient

♥ Note listing on inside back flap

D - To be discontinued when inventory is depleted

Note 12 - TENV

Specifications are subject to change without notice

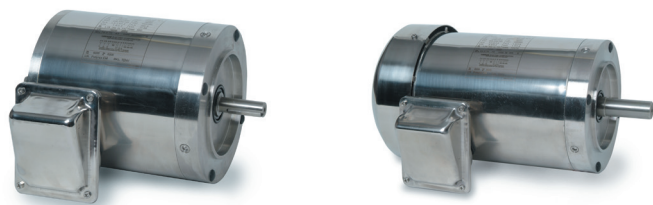


View On-line Technical Information





# Washguard® Motors SST - All Stainless Motors



Explosion Proof  
Motors

Automotive  
Duty Motors

Pump  
Motors

Washguard®  
Motors

Agricultural  
Motors

HVAC / Fan  
Motors

Special Voltage  
Motors

Definite  
Purpose Motors

Brake Motors

## Three Phase - TENV/TEFC - C Face Less Base

HP	SYN RPM 60 Hz	NEMA Frame	Catalog Number	Stock	List Price	Model Number	App. Wgt. (lbs)	Voltage	F. L. Amps @ 230 V	% F.L. Eff.	Service Factor	"C" Dim. (Inches)	♥Notes
1/3	1800	56C	191202.00	D	761	C6T17NC328	30	208-230/460	1.3	78.5	1.15	9.78	S, CN, 12
	1800	56C	191202.40	✓	761	C6T17NC320	30	208-230/460	1.3	78.5	1.15	9.78	S, CN, 12
1/2	1800	56C	191205.00	D	778	C6T17NC329	33	208-230/460	1.6	81.5	1.15	9.78	S, CN, 12
	1800	56C	191205.40	✓	778	C6T17NC321	33	208-230/460	1.6	81.5	1.15	9.78	S, CN, 12
	1800	56C	191507.00	✓	778	C6T17WC39	34	208-230/460	0.8	78.0	1.15	11.20	S, CN, 13
	1200	56C	191419.00	D	849	C6T11NC42	35	208-230/460	2.0	78.5	1.15	9.76	S, CN, 12
	1200	56C	191419.40	✓	849	C6T11NC48	35	208-230/460	2.0	78.5	1.15	9.76	S, CN, 12
3/4	1800	56C	191208.00	D	908	C6T17NC298	38	208-230/460	2.3	82.5	1.15	9.78	S, CN, 12
	1800	56C	191208.40	✓	908	C6T17NC322	38	208-230/460	2.3	82.5	1.15	9.78	S, CN, 12
	1800	56C	191508.00	✓	908	C6T17WC40	39	208-230/460	1.1	80.0	1.15	11.20	S, CN, 13
	1200	56C	191420.00	D	987	C6T11NC43	47	208-230/460	3.0	80.0	1.15	11.30	S, CN, 12
	1200	56C	191420.40	✓	987	C6T11NC49	47	208-230/460	3.0	80.0	1.15	11.30	S, CN, 12
1	1800	56C	191290.00	D	946	C6T17NC310	45	208-230/460	3.0	81.5	1.15	11.00	S, CN, 12
	1800	56C	191290.40	✓	946	C6T17NC323	45	208-230/460	3.0	81.5	1.15	11.00	S, CN, 12
	1800	56C	191213.00	✓	946	C6T17FC177	47	208-230/460	3.0	82.5	1.15	13.77	S, CN, 13
	1800	143TC	G191214.00	✓	974	143T17WC12	47	208-230/460	3.0	82.5	1.15	13.62	S, CN, 13
	1200	56C	191421.00	✓	1,032	C6T11NC44	47	208-230/460	3.8	82.5	1.15	13.10	S, CN, 13
1 1/2	1800	56C	191219.00	✓	987	C6T17FC178	48	208-230/460	4.8	84.0	1.15	13.77	S, CN, 13
	1800	145TC	G191220.00	✓	1,016	C145T17WC37	48	208-230/460	4.8	84.0	1.15	13.62	S, CN, 13
2	1800	56C	191225.00	✓	1,124	C6T17FC179	52	208-230/460	5.8	84.0	1.15	13.77	S, CN, 13
	1800	145TC	G191226.00	✓	1,158	145T17WC38	52	208-230/460	5.8	84.0	1.15	13.62	S, CN, 13
3	3600	145TC	G191542.00	✓	1,275	C145T34WC8	60	208-230/460	7.4	85.5	1.15	14.12	S, CN, 13

D - To be discontinued when inventory is depleted

♥ Note listing on inside back flap

Note 12 - TENV

Specifications are subject to change without notice

View On-line Technical Information





## Washguard® Motors

### Premium - All Stainless Motors Single Phase & Three Phase



#### General Specifications:

Designed specifically to meet the demanding sanitation requirements of the pharmaceutical, food processing and beverage industries. These motors are also ideal in clean room and severe chemical-processing applications involving frequent washdown with nitric acid and caustic lye. In fact, WASHGUARD All-Stainless Motors include IEEE 841 severe-duty features right out of the box! Motors have been tested to and passed the IEC IP-56 test requirements.

#### Mechanical Protection Features:

- All exterior components are 300-series stainless steel
- Nothing on the motor's exterior is painted or coated in any way
- All sealing components are Viton® for superior chemical resistance
- Full fact nameplate is laser etched on the motor frame – no separately attached nameplate to trap dirt or contaminants
- Endshields are O-ring sealed to the frame
- Double lip shaft seals on both ends of TEFC motors (shaft end only on TENV motors)
- Removable hydrophobic breathers in opposite shaft endbell and conduit box equalize pressure without allowing moisture to enter
- Exterior fastener use minimized reducing the number of entry points for moisture. There are no holes in the frame for attaching a nameplate. Bearing lock screws are located inside the motor and the conduit box mounted screws have been eliminated
- Double-sealed bearings are pre-lubricated with moisture-resistant high-temperature grease for long life
- Interior coatings applied to rotor and stator protect against corrosion
- New conduit box mounting system provides optimum sealing
- Ease to clean construction is BISSC Certified for bakery applications

#### Electrical Performance and Protection Features:

- WASHGUARD efficiencies meet EPCAct mandates for non-exempt motors when tested without shaft seals.
- Windings are immersed and cured in polyester insulating varnish for extra moisture-resistance
- LEESON's exclusive IRIS™ Inverter-Rated Insulation System provides extra protection and long life, especially in inverter-driven applications
- Single-phase motors use Solid State Sinpac® switch – no mechanical switch contacts to corrode and fail.
- All Washdown Duty motors have Class F Insulation

#### Standards and Approvals:

- Single and three phase motors are UL component recognized – file number E57948, guide number PRGY2.
- CSA Energy Efficiency Verification Program, report number EEV 78720-1
- Construction is CSA Certified for safety report number LR33543 and listed under BISSC authorization number 769

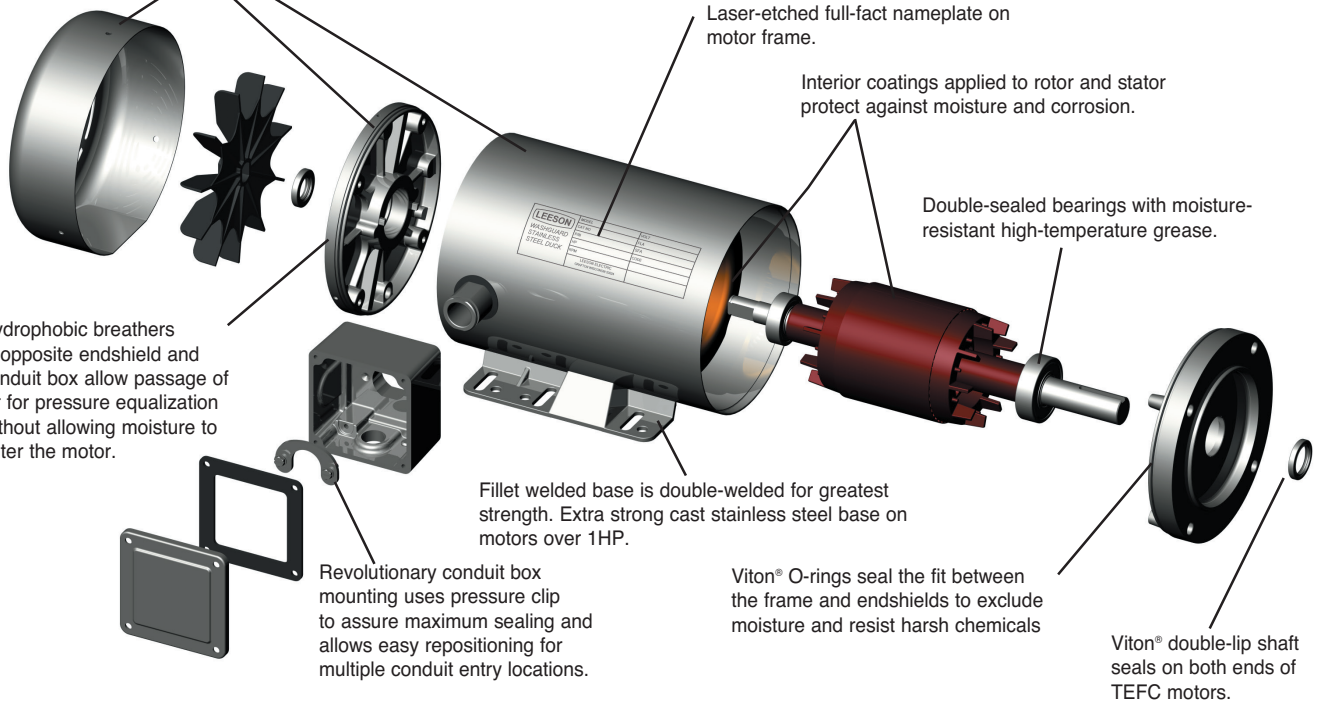


**Washguard® Motors**  
**Premium - All Stainless Motors**  
**Single-Phase & Three-Phase**

**Premium  
 Stainless Duck**



300-Series stainless steel exterior components – frame, base, endshields, shaft extension, fan guard, hardware, conduit box and cover – for maximum corrosion resistance.

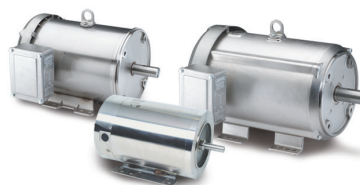


- Explosion Proof Motors
- Automotive Duty Motors
- Pump Motors
- Washguard® Motors
- Agricultural Motors
- HVAC / Fan Motors
- Special Voltage Motors
- Definite Purpose Motors
- Brake Motors



# Washguard® Motors

## Premium - All-Stainless Motors



### Three Phase - TENV/TEFC - C Face With Base

HP	SYN RPM 60 Hz	NEMA Frame	Catalog Number	Stock	List Price	Model Number	App. Wgt. (lbs)	Voltage	F. L. Amps @ 230 V	% F.L. Eff.	Service Factor	"C" Dim. (Inches)	♥Notes
1/2	3600	56HC	117269.00	√	1,364	CZ6T34VK19	35	208-230/460	1.6	82.5	1.15	10.47	S, US, 12
	1800	S56C	103387.00	√	1,368	CZ4T17VK2	31	208-230/460	1.8	76.0	1.15	11.49	S, US, 12
	1800	56HC	117266.00	√	1,462	CZ6T17VK46	35	208-230/460	1.6	78.5	1.15	11.22	S, US, 12
	1800	56HC	117762.00	√	1,462	CZ6T17VK52	36	208-230/460	1.8	78.5	1.15	13.13	S, US, 13
	1200	56HC	117275.00	√	1,823	CZ6T11VK5	35	208-230/460	2.3	77.0	1.15	11.47	S, US, 12
3/4	3600	56HC	117271.00	√	1,413	CZ6T34VK20	40	208-230/460	2.4	84.0	1.15	10.97	S, US, 12
	1800	S56C	103388.00	√	1,419	CZ4T17WK1	28	208-230/460	2.4	77.0	1.15	12.50	S, US, 13
	1800	56HC	117267.00	√	1,517	CZ6T17VK47	41	208-230/460	2.3	80.0	1.15	11.72	S, US, 12
	1200	56HC	117276.00	√	1,884	CZ6T11VK6	46	208-230/460	3.0	78.5	1.15	13.22	S, US, 12
1	3600	56HC	117273.00	√	1,546	CZ6T34VK21	43	208-230/460	2.6	85.5	1.15	13.04	S, US, 12
	1800	56HC	115635.00	√	1,552	CZ6T17VK8	44	208-230/460	3.0	81.5	1.15	13.54	S, US, 6, 12
	1800	56HC	117286.00	√	1,596	CZ6T17WK28	39	208-230/460	3.1	82.5	1.15	11.19	S, US, 13
	1800	143TC	121795.00	√	1,552	CZ143T17VK8	44	208-230/460	3.0	81.5	1.15	13.02	S, US, 12
	1800	143TC	121873.00	√	1,835	CZ143T17WK12	50	208-230/460	3.2	85.5	1.15	12.00	S, US, 13
	1200	56HC	117277.00	√	1,930	CZ6T11WK7	48	208-230/460	4.0	77.0	1.15	11.94	S, US, 13
	1 1/2	3600	143TC	121874.00	√	1,850	CZ143T34WK7	45	208-230/460	4.0	84.0	1.15	11.75
2	1800	56HC	117284.00	√	1,632	CZ6T17WK26	49	208-230/460	4.4	84.0	1.15	11.94	S, US, 13
	1800	145TC	121875.00	√	1,877	CZ145T17WK32	49	208-230/460	4.8	86.5	1.15	12.75	S, US, 13
	1200	56HC	117278.00	√	2,007	CZ6T11WK8	51	208-230/460	5.4	80.0	1.15	13.19	S, US, 13
	3600	145TC	121876.00	√	2,196	CZ145T34WK18	49	208-230/460	4.8	85.5	1.25	12.75	S, US, 13
3	1800	56HC	117285.00	√	1,930	CZ6T17WK27	50	208-230/460	5.6	84.0	1.15	12.69	S, US, 13
	1800	145TC	121877.00	√	2,219	CZ145T17WK33	50	208-230/460	5.8	86.5	1.25	13.25	S, US, 13
	3600	145TC	121878.00	√	2,642	CZ145T34WK27	53	208-230/460	8.0	86.5	1.15	13.69	S, US, 13
5	3600	182TC	132203.00	√	2,704	CZ182T34WK2	85	208-230/460	7.6	86.5	14.27	S, MX	S, MX, 13
	1800	182TC	132206.00	√	2,787	C184T17WK14	85	208-230/460	7.8	89.5	1.15	14.77	S, MX, 13
	3600	184TC	132207.00	√	3,159	C184T34WK11	90	208-230/460	12.0	88.5	1.25	15.27	S, MX, 13
7 1/2	1800	184TC	132208.00	√	3,091	C184T17WK16	96	208-230/460	12.6	89.5	1.15	15.77	S, MX, 13
	3600	213TC	140825.00	√	4,397	C213T34WK4	160	208-230/460	17.8	89.5	1.15	18.69	S, MX, 13
	1800	213TC	140826.00	√	4,963	C213T17WK10	160	208-230/460	21.6	91.7	1.15	18.69	S, MX, 13
10	3600	215TC	140827.00	√	4,521	C215T34WK11	165	208-230/460	23.6	90.2	1.15	18.69	S, MX, 13
	1800	215TC	140828.00	√	5,112	C215T17WK10	173	208-230/460	26.8	91.7	1.15	18.69	S, MX, 13

Green items are Premium Efficient

♥ Note listing on inside back flap

Note 12 - TENV

Specifications are subject to change without notice



View On-line Technical Information





**Three Phase - TENV/TEFC - C Face Less Base**

HP	SYN RPM 60 Hz	NEMA Frame	Catalog Number	Stock	List Price	Model Number	App. Wgt. (lbs)	Voltage	F. L. Amps @ 230 V	% F.L. Eff.	Service Factor	"C" Dim. (Inches)	♥Notes
1/3	1800	48C	103393.00	√	1,157	CZ4T17VC7	25	208-230/460	1.3	70.5	1.15	9.83	S, US, 12
1/2	3600	56C	117279.00	√	1,339	CZ6T34VC22	35	208-230/460	1.6	82.5	1.15	10.47	S, US, 12
	1800	48C	103394.00	√	1,182	CZ4T17VC3	27	208-230/460	1.8	76.0	1.15	11.58	S, US, 12
	1800	S56C	103389.00	√	1,352	CZ4T17VC4	30	208-230/460	1.8	76.0	1.15	11.49	S, US, 12
	1800	56C	117270.00	√	1,433	CZ6T17VC56	34	208-230/460	1.6	78.5	1.15	11.22	S, US, 12
3/4	3600	56C	117280.00	√	1,385	CZ6T34VC23	40	208-230/460	2.4	84.0	1.15	10.97	S, US, 12
	1800	S56C	103390.00	√	1,383	CZ4T17WC1	33	208-230/460	2.4	77.0	1.15	12.50	S, US, 13
1	3600	56C	117272.00	√	1,479	CZ6T17VC57	40	208-230/460	2.3	80.0	1.15	11.72	S, US, 12
	3600	56C	117281.00	√	1,518	CZ6T34VC24	43	208-230/460	2.6	85.5	1.15	12.22	S, US, 12
	1800	56C	117274.00	√	1,527	CZ6T17VC58	44	208-230/460	3.0	81.5	1.15	12.72	S, US, 12
	1800	56HC	117287.00	√	1,527	CZ6T17WC30	45	208-230/460	3.1	82.5	1.15	11.19	S, US, 13
	1800	143TC	121796.00	√	1,527	CZ143T17VC9	44	208-230/460	3.0	81.5	1.15	13.02	S, US, 12
1 1/2	1800	143TC	G121659.00	√	1,527	CZ143T17WC13	51	208-230/460	3.1	82.5	1.15	11.25	S, US, 13
	3600	143TC	G121560.00	√	1,528	CZ143T34WC7	52	208-230/460	4.0	82.5	1.15	11.25	S, US, 13
	1800	56C	117282.00	√	1,557	CZ6T17WC28	49	208-230/460	4.4	84.0	1.15	11.94	S, US, 13
	1800	145TC	G121525.00	√	1,557	CZ145T17WC39	55	208-230/460	4.4	84.0	1.15	12.50	S, US, 13
2	3600	145TC	G121561.00	√	1,875	CZ145T34WC20	54	208-230/460	5.2	84.0	1.15	12.50	S, US, 13
	1800	56C	117283.00	√	1,889	CZ6T17WC29	49	208-230/460	5.6	84.0	1.15	12.69	S, US, 13
	1800	145TC	G121527.00	√	1,889	CZ145T17WC40	60	208-230/460	5.6	84.0	1.15	12.75	S, US, 13
3	3600	145TC	G121562.00	√	2,255	CZ145T34WC21	55	208-230/460	7.6	85.5	1.15	12.75	S, US, 13
	1800	182TC	G131923.00	√	2,272	C182T17WC10	88	208-230/460	8.6	87.5	1.15	14.77	S, MX, 13
5	3600	184TC	G131949.00	√	2,575	C184T34WC8	98	208-230/460	12.0	87.5	1.15	14.77	S, MX, 13
	1800	184TC	G131924.00	√	2,592	C184T17WC9	102	208-230/460	13.0	87.5	1.15	15.27	S, MX, 13

Note 12 - TENV

♥ Note listing on inside back flap

Specifications are subject to change without notice

View On-line Technical Information



Explosion Proof Motors

Automotive Duty Motors

Pump Motors

Washguard® Motors

Agricultural Motors

HVAC / Fan Motors

Special Voltage Motors

Definite Purpose Motors

Brake Motors

## Washguard® Motors

### Premium All Stainless Motors with Shaft Grounding Rings (SGRs)



#### General Specifications:

Same design features as our standard Premium Stainless and Extreme Duck motors only having a built-in Shaft Grounding Ring that are designed to protect motors that are used in applications that are using AC inverters to control the speed of the motors. They eliminate the stray voltages that may damage the motor's bearings.

#### Premium Washguard® All-Stainless Motors With Shaft Grounding Rings (SGRs)

### Three Phase • Standard, EPAct & NEMA Premium Ratings Three-Phase • TENV/TEFC • C Face With Base

HP	SYN RPM 60 Hz	NEMA Frame	Catalog Number	Stock	List Price	Model Number	App. Wgt. (lbs)	Voltage	F. L. Amps @ 230 V	% F.L. Eff.	Service Factor	"C" Dim. (Inches)	♥Notes
1/2	1800	56HC	117901.00	√	1,557	CZ6T17VK53	35	208-230/460	1.6	78.5	1.15	12.54	S, US, 12
3/4	1800	56HC	117902.00	√	1,609	CZ6T17VK54	41	208-230/460	2.3	80.0	1.15	13.04	S, US, 12
1	1800	56HC	117903.00	√	1,685	CZ6T17WK38	39	208-230/460	3.1	82.5	1.15	13.13	S, US, 12
		143TC	122029.00	√	1,643	CZ143T17VK10	44	208-230/460	3.0	81.5	1.15	13.61	S, US, 12
1 1/2	1800	56HC	117904.00	√	1,720	CZ6T17WK40	49	208-230/460	4.4	84.0	1.15	13.63	S, US, 13
		145TC	122030.00	√	1,957	CZ145T17WK52	49	208-230/460	4.4	86.5	1.15	13.69	S, US, 13
2	1800	56HC	117905.00	√	2,009	CZ6T17WK39	50	208-230/460	5.6	84.0	1.15	13.63	S, US, 13
		145TC	122031.00	√	2,288	CZ145T17WK53	50	208-230/460	5.6	86.5	1.25	13.69	S, US, 13

Green items are Premium Efficient

♥ Note listing on inside back flap

Note 12 - TENV

Specifications are subject to change without notice



View On-line Technical Information





Explosion Proof  
Motors

Automotive  
Duty Motors

Pump  
Motors

Washguard®  
Motors

Agricultural  
Motors

HVAC / Fan  
Motors

Special Voltage  
Motors

Definite  
Purpose Motors

Brake Motors

**Single Phase - TENV/TEFC - C Face With Base**

HP	SYN RPM	NEMA Frame	Catalog Number	Stock	List Price	Model Number	App. Wgt. (lbs)	Voltage	F. L. Amps @ 230 V	Service Factor	"C" Dim. (Inches)	♥Notes
1/3	1800	56HC	116343.00	✓	1,530	NZ6C17VK1	35	115/208-230	2.7	1.15	12.20	S, US, 6, 12
1/2	3600	56HC	116344.00	✓	1,514	NZ6C34VK2	38	115/208-230	3.8	1.15	12.20	S, US, 6, 12
	1800	56HC	116345.00	✓	1,552	NZ6C17VK2	38	115/208-230	3.3	1.15	12.70	S, US, 6, 12
3/4	1800	56HC	116346.00	✓	1,640	NZ6K17VK2	42	115/208-230	3.8	1.15	12.70	S, US, 6, 12
1	3600	56HC	116347.00	✓	1,717	NZ6C34VK1	49	115/208-230	6.0	1.15	13.70	S, US, 6, 12
	1800	56HC	116348.00	✓	1,706	NZ6K17VK1	49	115/208-230	4.5	1.15	13.70	S, US, 6, 12
1 1/2	3600	56HC	116482.00	✓	1,799	CZ6K34WK1	49	115/208-230	6.8	1.15	13.81	S, US, 13
	1800	145TC	121622.00	✓	1,773	CZ145K17WK2	53	115/208-230	7.4	1.15	14.81	S, US, 13
2	3600	145TC	121623.00	C/A	1,965	CZ145K34WK1	57	115/208-230	8.8	1.15	14.81	S, US, 13
	1800	145TC	121632.00	C/A	2,045	CZ145K17WK1	57	115/208-230	10.0	1.15	14.81	S, US, 13

Note 12 - TENV

♥ Note listing on inside back flap

C/A - Check Availability

Specifications are subject to change without notice

**Single Phase - TENV/TEFC - C Face Less Base**

HP	SYN RPM	NEMA Frame	Catalog Number	Stock	List Price	Model Number	App. Wgt. (lbs)	Voltage	F. L. Amps @ 230 V	Service Factor	"C" Dim. (Inches)	♥Notes
1/3	1800	56C	116349.00	✓	1,497	NZ6C17VC1	35	115/208-230	2.7	1.15	11.70	S, US, 12
1/2	1800	56C	116350.00	✓	1,526	NZ6C17VC2	38	115/208-230	3.3	1.15	12.70	S, US, 12
3/4	1800	56C	116351.00	✓	1,607	CZ6K17VC2	42	115/208-230	3.8	1.15	12.70	S, US, 12
1	1800	56C	116352.00	✓	1,664	CZ6K17VC1	49	115/208-230	4.5	1.15	13.70	S, US, 12
1 1/2	1800	145TC	121624.00	✓	1,690	CZ145K17WC2	53	115/208-230	7.4	1.15	14.87	S, US, 13
2	1800	145TC	121633.00	C/A	1,944	CZ145K17WC1	57	115/208-230	10.0	1.15	14.87	S, US, 13

Note 12 - TENV

♥ Note listing on inside back flap

C/A - Check Availability

Specifications are subject to change without notice

View On-line Technical Information





# Washguard® Motors

## Stainless Steel Brakemotors & JM Pump Motors



### Stainless Steel Brakemotors



#### Three Phase - TENV - C Face With Base

HP	SYN RPM 60 Hz	NEMA Frame	Brake Rating (ft-lbs)	Catalog Number	Stock	List Price	Model Number	App. Wgt. (lbs)	Voltage	F. L. Amps @ 230 V	% F.L. Eff.	Service Factor	"C" Dim. (Inches)	Notes
1/2	1800	56C	3	116483.00	✓	5,348	CZ6T17VK31	59	208-230/460	1.6	78.5	1.15	15.85	S, US, 12
1	1800	56C	6	116484.00	✓	5,634	CZ6T17VK32	69	208-230/460	3.0	81.5	1.15	15.85	S, US, 12

Specifications are subject to change without notice

♥ Note listing on inside back flap

### Stainless Steel JM Pump Motors



#### Three Phase - TEFC - JM Pump - C Face With Base

HP	SYN RPM 60 Hz	NEMA Frame	Catalog Number	Stock	List Price	Model Number	App. Wgt. (lbs)	Voltage	F. L. Amps @ 230 V	% F.L. Eff.	Service Factor	"C" Dim. (Inches)	Notes
1	1800	143JM	G121626.00	✓	1,589	CZ143T17WK18	55	208-230/460	3.0	82.5	1.15	16.00	S, US
1 1/2	3600	143JM	G121627.00	✓	1,590	CZ143T34WK11	55	208-230/460	4.0	82.4	1.15	16.00	S, US
	1800	145JM	G121628.00	✓	1,622	CZ145T17WK45	56	208-230/460	4.4	84.0	1.15	16.00	S, US
2	3600	145JM	G121629.00	✓	1,889	CZ145T34WK24	56	208-230/460	5.2	84.0	1.15	16.00	S, US
	1800	145JM	G121630.00	✓	1,909	CZ145T17WK46	57	208-230/460	5.6	84.0	1.15	16.50	S, US
3	3600	145JM	G121631.00	✓	2,271	CZ145T34WK25	57	208-230/460	7.6	85.5	1.15	16.50	S, US
	1800	182JM	G131996.00	✓	2,402	C182T17WK16	85	208-230/460	8.2	87.5	1.15	16.20	S, MX
5	3600	184JM	G131997.00	✓	2,649	C184T34WK14	90	208-230/460	12.0	87.5	1.15	16.20	S, MX
	1800	184JM	G131998.00	✓	2,664	C184T17WK18	96	208-230/460	13.0	87.5	1.15	16.77	S, MX
7 1/2	3600	213JM	G140740.00	✓	4,035	C213T34WK5	160	208-230/460	18.4	88.5	1.15	16.81	S, MX
	1800	213JM	G140741.00	✓	4,122	C213T17WK14	162	208-230/460	20.4	89.5	1.15	19.81	S, MX
10	3600	215JM	G140742.00	✓	4,176	C215T34WK12	165	208-230/460	24.0	89.5	1.15	19.81	S, MX
	1800	215JM	G140743.00	✓	4,252	C215T17WK13	173	208-230/460	26.0	89.5	1.15	19.81	S, MX

Specifications are subject to change without notice

♥ Note listing on inside back flap



View On-line Technical Information



Explosion Proof Motors

Automotive Duty Motors

Pump Motors

Washguard® Motors

Agricultural Duty Motors

HVAC / Fan Motors

Special Voltage Motors

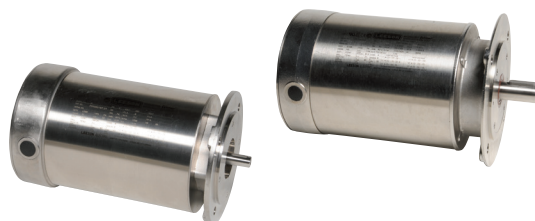
Definite Purpose Motors

Brake Motors



# Washguard® Motors

## IEC Washguard All-Stainless AC Motors



### IEC B5 Flange - Round Body - Three Phase - TENV/TEFC

HP / kW	SYN RPM 60 Hz	IEC Frame	Catalog Number	Stock	List Price	Model Number	App. Wgt. (lbs)	Voltage	F. L. Amps @ 230 V	% F.L. Eff.	Service Factor	"C" Dim. (Inches)	♥Notes
1/3-0.25	1800	71	103403.00	√	1,414	CZ4T17VZ16	30	208-230/460	1.3	70.5	1.15	9.87	S, US, 12
	1800	80	103405.00	√	1,414	CZ4T17VZ17	30	208-230/460	1.3	70.5	1.15	9.87	S, US, 12
1/2-0.37	1800	71	103404.00	√	1,462	CZ4T17VZ6	32	208-230/460	1.6	76.0	1.15	11.62	S, US, 12
	1800	80	103406.00	√	1,462	CZ4T17VZ7	32	208-230/460	1.6	76.0	1.15	11.62	S, US, 12
3/4-0.55	1800	80	103407.00	√	1,550	CZ4T17WZ9	38	208-230/460	2.3	77.0	1.15	12.26	S, US, 13
1- 0.75	1800	90	117516.00	√	1,647	CZ6T17WC44	45	208-230/460	3.1	82.5	1.15	13.13	S, US, 13
1.5 - 1.1	1800	90	117517.00	√	1,738	CZ6T17WC46	49	208-230/460	4.4	84.0	1.15	13.63	S, US, 13
2 - 1.5	1800	90	117518.00	√	1,930	CZ6T17WC45	49	208-230/460	5.6	84.0	1.15	13.63	S, US, 13

Note 12 - TENV

Specifications are subject to change without notice

♥ Note listing on inside back flap

### IEC B14 Flange - Round Body - Three Phase - Totally Enclosed

HP / kW	SYN RPM 60 Hz	IEC Frame	Catalog Number	Stock	List Price	Model Number	App. Wgt. (lbs)	Voltage	F. L. Amps @ 230 V	% F.L. Eff.	Service Factor	"C" Dim. (Inches)	♥Notes
1/3-0.25	1800	71	103395.00	√	1,414	CZ4T17VZ13	30	208-230/460	1.3	70.5	1.15	9.83	S, US, 12
	1800	80	103397.00	√	1,414	CZ4T17VZ14	30	208-230/460	1.3	70.5	1.15	9.72	S, US, 12
1/2-0.37	1800	71	103396.00	√	1,462	CZ4T17VZ3	32	208-230/460	1.6	76.0	1.15	11.58	S, US, 12
	1800	80	103398.00	√	1,462	CZ4T17VZ4	32	208-230/460	1.6	76.0	1.15	11.58	S, US, 12
3/4-0.55	1800	80	103399.00	√	1,550	CZ4T17WZ7	38	208-230/460	2.3	77.0	1.15	12.48	S, US, 13

Note 12 - TENV

Specifications are subject to change without notice

♥ Note listing on inside back flap

### IEC B3/ B5 Flange - Rigid Base - Three Phase - Totally Enclosed

HP / kW	SYN RPM 60 Hz	IEC Frame	Catalog Number	Stock	List Price	Model Number	App. Wgt. (lbs)	Voltage	F. L. Amps @ 230 V	% F.L. Eff.	Service Factor	"C" Dim. (Inches)	♥Notes
1/3-0.25	1800	80	103408.00	√	1,438	CZ4T17VZ18	30	208-230/460	1.3	70.5	1.15	9.50	S, US, 12
1/2-0.37	1800	80	103409.00	√	1,483	CZ4T17VZ8	32	208-230/460	1.6	76.0	1.15	12.75	S, US, 12
3/4-0.55	1800	80	103410.00	√	1,581	CZ4T17WZ10	38	208-230/460	2.3	77.0	1.15	12.26	S, US, 13

Note 12 - TENV

Specifications are subject to change without notice

♥ Note listing on inside back flap

### IEC B3 / B14 Flange - Rigid Base - Three Phase - Totally Enclosed

HP / kW	SYN RPM 60 Hz	IEC Frame	Catalog Number	Stock	List Price	Model Number	App. Wgt. (lbs)	Voltage	F. L. Amps @ 230 V	% F.L. Eff.	Service Factor	"C" Dim. (Inches)	♥Notes
1/3-0.25	1800	80	103400.00	√	1,462	CZ4T17VZ15	31	208-230/460	1.3	70.5	1.15	9.72	S, US, 12
1/2-0.37	1800	80	103401.00	√	1,615	CZ4T17VZ5	33	208-230/460	1.6	76.0	1.15	11.58	S, US, 12
3/4-0.55	1800	80	103402.00	√	1,673	CZ4T17WZ8	39	208-230/460	2.3	77.0	1.15	12.48	S, US, 13

Note 12 - TENV

Specifications are subject to change without notice

♥ Note listing on inside back flap

View On-line Technical Information



Explosion Proof Motors

Automotive Duty Motors

Pump Motors

Washguard® Motors

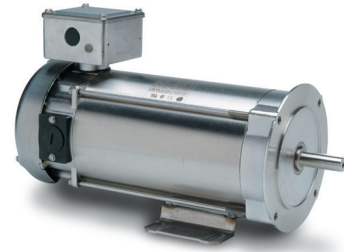
Agricultural Motors

HVAC / Fan Motors

Special Voltage Motors

Definite Purpose Motors

Brake Motors

**Washguard® Motors****NEMA and IEC Washguard®****All-Stainless DC Motors - SCR Rated****IP 55 Enclosure Protection****TEFC - SCR Rated 90 & 180V - NEMA - C Face With Base**

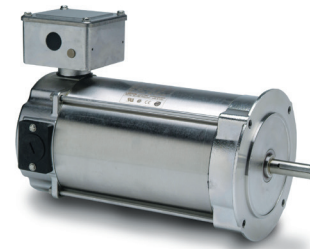
HP	Full Load RPM	NEMA Frame	Catalog Number	Stock	List Price	Model Number	App. Wgt. (lbs)	Arm. Volts DC	Control Volts AC Input	F. L. Amps DC	"C" Dim. (Inches)	♥Notes
1/4	1750	S56C	109065.00	√	1,380	4D17VK24	38	90	115	3.1	11.81	S, US, 12
1/3	1750	S56C	109066.00	√	1,459	4D17VK25	44	90	115	3.8	12.81	S, US, 12
	1750	S56C	109067.00	√	1,459	4D17VK26	44	180	230	1.9	12.81	S, US, 12
1/2	1750	S56C	109069.00	√	1,705	4D17WK9	46	90	115	5.2	13.87	S, US, 13
	1750	S56C	109070.00	√	1,705	4D17WK10	46	180	230	2.7	13.87	S, US, 13
3/4	1750	S56C	109072.00	√	2,076	4D17WK13	47	90	115	7.5	15.37	S, US, 13
	1750	S56C	109073.00	√	2,076	4D17WK14	48	180	230	3.7	15.37	S, US, 13
1	1750	S56C	109075.00	√	2,408	4D17WK16	51	90	115	9.5	16.37	S, US, 13
	1750	S56C	109076.00	√	2,408	4D17WK17	50	180	230	5.0	16.37	S, US, 13

Base is welded to frame and not removable

Note 12 - TENV

Specifications are subject to change without notice

♥ Note listing on inside back flap

**TEFC - SCR Rated 90 & 180V • NEMA - C Face Less Base**

HP	Full Load RPM	NEMA Frame	Catalog Number	Stock	List Price	Model Number	App. Wgt. (lbs)	Arm. Volts DC	Control Volts AC Input	F. L. Amps DC	"C" Dim. (Inches)	♥Notes
1/4	1750	S56C	109078.00	√	1,347	4D17VC5	38	90	115	3.1	11.81	S, US, 12
1/3	1750	S56C	109079.00	√	1,427	4D17VC6	44	90	115	3.8	12.81	S, US, 13
	1750	S56C	109080.00	√	1,427	4D17VC7	44	180	230	1.9	12.81	S, US, 13
1/2	1750	S56C	109082.00	√	1,673	4D17WC2	46	90	115	5.2	13.87	S, US, 13
	1750	S56C	109083.00	√	1,673	4D17WC3	46	180	230	2.7	13.87	S, US, 13
3/4	1750	S56C	109085.00	√	2,044	4D17WC5	47	90	115	7.5	15.37	S, US, 13
	1750	S56C	109086.00	√	2,044	4D17WC6	48	180	230	3.7	15.37	S, US, 13
1	1750	S56C	109088.00	√	2,378	4D17WC8	51	90	115	9.5	16.37	S, US, 13
	1750	S56C	109089.00	√	2,378	4D17WC9	50	180	230	5.0	16.37	S, US, 13

Note 12 - TENV

Specifications are subject to change without notice

♥ Note listing on inside back flap



View On-line Technical Information





# Washguard® Motors

## Metric (IEC) Frame PMDC Motors

### All-Stainless DC Motors - SCR Rated

### IP55 Enclosure Protection

#### TEFC - SCR Rated 90 & 180V - C Face With Base

HP/kW	Full Load RPM	IEC Frame	Catalog Number	Stock	List Price	Model Number	App. Wgt. (lbs)	Arm. Volts DC	Control Volts AC Input	F. L. Amps DC	"C" Dim. (Inches)	♥Notes
1/3 - 0.25	1750	80D	109068.00	✓	1,459	4D17VK27	44	180	230	1.9	12.81	S, US, 12
1/2 - 0.37	1750	80D	109071.00	✓	1,705	4D17WK11	46	180	230	2.7	13.87	S, US, 13
3/4 - 0.55	1750	80D	109074.00	✓	2,076	4D17WK15	48	180	230	3.7	15.37	S, US, 13
1 - 0.75	1750	80D	109077.00	✓	2,408	4D17WK18	50	180	230	5.0	16.37	S, US, 13

Note 12 - TENV

♥ Note listing on inside back flap

Base is welded to frame and not removable

Specifications are subject to change without notice

#### TEFC - SCR Rated 90 & 180V - Metric (IEC) - All-Stainless Steel - C Face Less Base

HP/kW	Full Load RPM	IEC Frame	Catalog Number	Stock	List Price	Model Number	App. Wgt. (lbs)	Arm. Volts DC	Control Volts AC Input	F. L. Amps DC	"C" Dim. (Inches)	♥Notes
1/3 - 0.25	1750	80D	109081.00	✓	1,427	4D17VC8	44	180	230	1.9	12.81	S, US, 12
1/2 - 0.37	1750	80D	109084.00	✓	1,673	4D17WC4	46	180	230	2.7	13.87	S, US, 13
3/4 - 0.55	1750	80D	109087.00	✓	2,044	4D17WC7	48	180	230	3.7	15.37	S, US, 13
1 - 0.75	1750	80D	109090.00	✓	2,378	4D17WC10	50	180	230	5.0	16.37	S, US, 13

Note 12 - TENV

Specifications are subject to change without notice

♥ Note listing on inside back flap

### Flange And Face Kits For DC Metric (IEC) Frame Motors

The modular design concept of LEESON's other metric DC motors has been applied to the all-stainless metric motors. Any flange or face kit can mount on any motor. This allows the greatest flexibility from the smallest inventory of motors.

#### B5 Flange Kits (For Stainless DC Metric Motors)

IEC Frame	Catalog Number	List Price	App. Wgt. (lbs)	BD Flange Dia. (mm)	AK Register (mm)	BF Hole (mm)	AJ Bolt Circle (mm)
71	175593.00	184	2	160	110	9	130
80	175594.00	222	3	200	130	12	165
90S/90L	175594.00	222	3	200	130	12	165
100L/112M	175595.00	346	5	250	180	15	215

Specifications are subject to change without notice

♥ Note listing on inside back flap

#### B14 Flange Kits (For Stainless DC Metric Motors)

IEC Frame	Catalog Number	List Price	App. Wgt. (lbs)	BD Flange Dia. (mm)	AK Register (mm)	BF Hole (mm)	AJ Bolt Circle (mm)
71	175596.00	140	1	105	70	6	85
80	175597.00	140	1	120	80	6	100
90S/90L	175598.00	381	1	140	95	6	115
100L/112M	175599.00	346	2	160	110	6	130

Specifications are subject to change without notice

♥ Note listing on inside back flap

View On-line Technical Information



Explosion Proof Motors

Automotive Duty Motors

Pump Motors

Washguard® Motors

Agricultural Motors

HVAC / Fan Motors

Special Voltage Motors

Definite Purpose Motors

Brake Motors

## Washguard® Motors

### Extreme Duck Washguard® All-Stainless Motors Three Phase - Standard, EPAct & NEMA Premium Ratings



**General Specifications:** These Revolutionary Designed Stainless Steel Motors are built using our "Voice of the customer" design criteria to withstand extreme washdown and sanitation requirements of the food processing, pharmaceutical, packaging and beverage industries. Our Innovative Hydro Sealed System "HS<sup>2</sup>™" protects from the "outside-in" by reducing entrance points of contaminants and eliminates the need for drain plugs and breathers. This proven process also minimizes exterior hardware, which may trap application elements. Our unique Rotor/Cartridge Seal System, "Q-CAR™" gives quick access to the interior of the motor should the need arise. 300-Series Stainless Steel used on all exterior surfaces gives ideal protection against severe chemical-processing applications and frequent washdown processes using Salt water, Nitric Acids and Solvents.

#### Mechanical Protection Features:

- All exterior components are 300-Series stainless steel
- Protech Bearing isolator used for the output shaft seal
- Double Lip Viton shaft seal used on non-drive output shaft on TEFC motors
- Minimal exterior fasteners due to no through-bolt design and screw on conduit box covers reduces surface areas that may trap contaminants
- Double-sealed bearings are pre-lubricated with moisture resistant, high temperature grease for long life
- Rotor/Cartridge, "Q-CAR™," design for quick access to motor interior (patent pending).
- O-ring sealed openings on conduit box covers and Rotor/Cartridge cover
- Rigid Cast Base for rugged applications
- Conduit box lead hole location rotatable on TEFC designs
- Full fact nameplate is laser etched to the motor frame making frame surface smooth, which eliminates areas that trap contaminants
- Ease of clean construction is BISSC certified for bakery applications and motors meet Pharmaceutical Duty specifications
- IP 66 Enclosure protection

#### Electrical Performance and Protection Features:

- Motors meet EPAct mandates for non-exempt motors when tested without shaft seals
- Total winding encapsulation using an Epoxy Resin
- LEESON's exclusive IRIS™ Inverter-Rated Insulation System provides extra protection and long life, especially when used in applications driven by an Inverter
- 3 year warranty
- 10:1 constant torque operation

#### Standards and Approvals

- Motors are UL component recognized – file number E57948, guide number PRGY2
- CSA Energy Efficiency Verification Program, report number EEV 78720-1
- Construction is CSA Certified for safety, report number LR33543 and listed under BISSC authorization number 769



ExtremeDuck



Explosion Proof Motors

Automotive Duty Motors

Pump Motors

Washguard® Motors

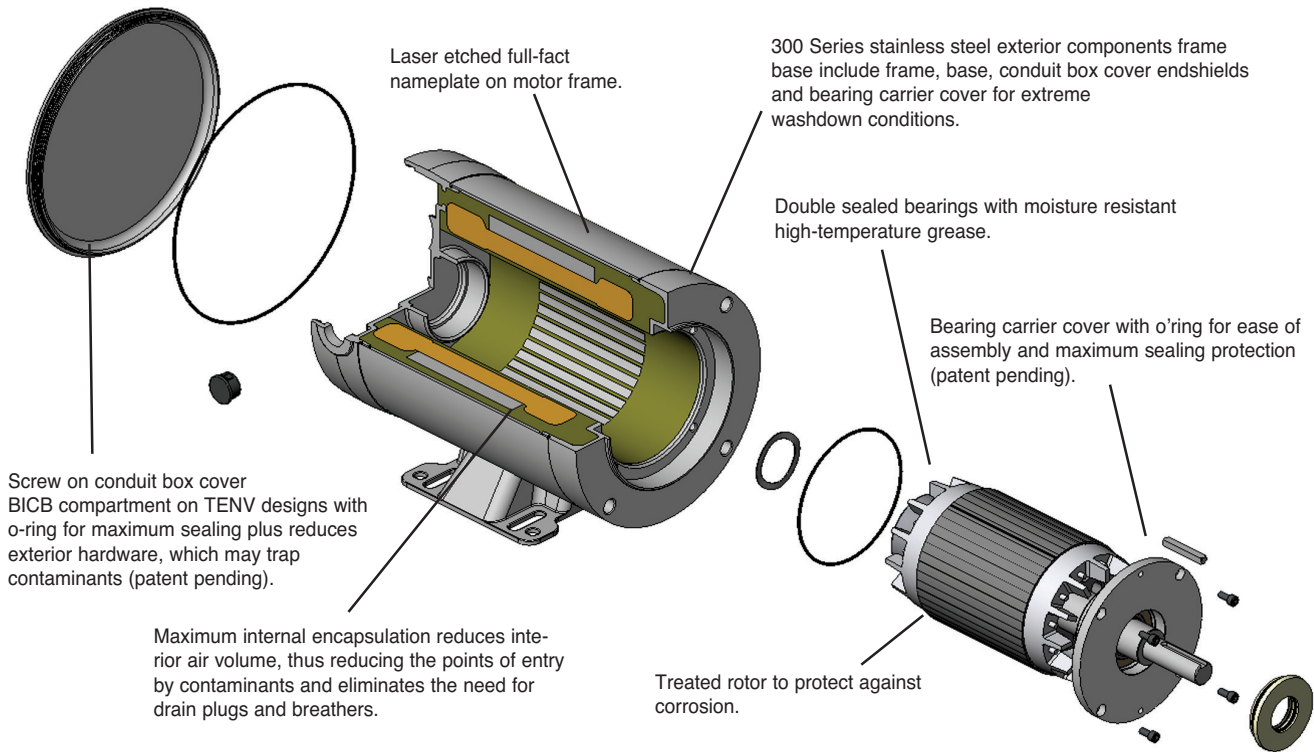
Agricultural Motors

HVAC / Fan Motors

Special Voltage Motors

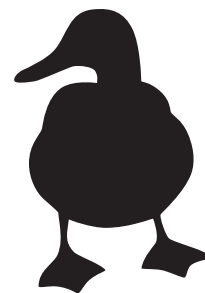
Definite Purpose Motors

Brake Motors



The all new Extreme. It's not your average duck.

- Extreme Sealing
- Extreme Durability
- Extreme Confidence



The new Extreme Duck.





# Washguard® Motors

## Extreme Duck Washguard® All-Stainless Motors Three Phase - Standard, EPAct & NEMA Premium Ratings



### Three Phase - Totally Enclosed - C Face With Base

HP	SYN RPM 60 Hz	NEMA Frame	Catalog Number	Stock	List Price	Model Number	App. Wgt. (lbs)	Voltage	F. L. Amps @ 230 V	% F.L. Eff.	Service Factor	"C" Dim. (Inches)	♥Notes	
1/2	3600	56C	117118.00	✓	1,528	CZ6T34VK16	39	208-230/460	1.6	82.5	1.15	10.47	S, US, 12	
	1800	S56C	103411.00	✓	1,511	CZ4T17VK1	33	208-230/460	1.6	76.0	1.15	11.49	S, US, 12	
	1800	56C	117119.00	✓	1,607	CZ6T17VK43	40	208-230/460	1.6	78.5	1.15	10.72	S, US, 12	
	1200	56C	119266.00	✓	1,715	CZ6T11VK7	43	208-230/460	2.3	77.0	1.15	11.71	S, US, 12	
3/4	3600	56C	117120.00	✓	1,581	CZ6T34VK17	46	208-230/460	2.4	84.0	1.15	10.47	S, US, 12	
	1800	S56C	103412.00	✓	1,607	CZ4T17WK2	39	208-230/460	2.3	77.0	1.15	12.50	S, US, 13	
	1800	56C	117121.00	✓	1,669	CZ6T17VK44	47	208-230/460	2.3	80.0	1.15	11.22	S, US, 12	
	1200	56C	119267.00	✓	1,772	CZ6T11VK8	50	208-230/460	3.0	78.5	1.15	12.69	S, US, 12	
1	3600	56C	117122.00	✓	1,698	CZ6T34VK18	48	208-230/460	2.6	85.5	1.15	10.97	S, US, 12	
	1800	56C	117123.00	✓	1,708	CZ6T17VK45	50	208-230/460	3.0	81.5	1.15	11.97	S, US, 12	
	1200	56C	119268.00	✓	1,808	CZ6T11WK9	53	208-230/460	4.2	78.5	1.15	12.69	S, US, 13	
	1 1/2	3600	143TC	121879.00	✓	1,927	CZ143T34WK8	54	208-230/460	4.0	84.0	1.15	11.75	S, US, 13
1 1/2	3600	143TC	G121748.00	✓	1,802	CZ143T34WK4	54	208-230/460	4.0	82.5	1.15	11.00	S, US, 13	
	1800	56C	117296.00	✓	1,795	CZ6T17WK30	56	208-230/460	4.4	84.0	1.15	11.69	S, US, 13	
	1800	145TC	121880.00	✓	1,920	CZ143T17WK13	56	208-230/460	4.4	86.5	1.15	12.75	S, US, 13	
	1800	145TC	G121749.00	✓	1,795	CZ143T17WK8	56	208-230/460	4.4	84.0	1.15	11.25	S, US, 13	
	1200	56C	119269.00	✓	1,850	CZ6T11WK10	59	208-230/460	5.4	80.0	1.15	12.69	S, US, 13	
	2	3600	145TC	121881.00	✓	2,227	CZ145T34WK19	56	208-230/460	5.2	85.5	1.15	12.75	S, US, 13
	3600	145TC	G121739.00	✓	2,081	CZ145T34WK10	56	208-230/460	5.2	84.0	1.15	12.50	S, US, 13	
	1800	56C	117299.00	✓	2,104	CZ6T17WK29	57	208-230/460	5.6	84.0	1.15	12.69	S, US, 13	
2	1800	145TC	121882.00	✓	2,251	CZ145T17WK34	57	208-230/460	5.6	86.5	1.15	13.25	S, US, 13	
	1800	145TC	G121740.00	✓	2,104	CZ145T17WK25	57	208-230/460	5.6	84.0	1.15	12.50	S, US, 13	
	3	3600	56C	119203.00	C/A	2,188	CZ6T34WK26	60	208-230/460	7.6	85.5	1.15	12.69	S, US, 13

Green items are Premium Efficient

♥ Note listing on inside back flap

C/A - Check Availability

Specifications are subject to change without notice

Note 12 - TENV

## Extreme Duck Washguard® All-Stainless Motors Three Phase - Totally Enclosed - C Face Less Base

HP	SYN RPM 60 Hz	NEMA Frame	Catalog Number	Stock	List Price	Model Number	App. Wgt. (lbs)	Voltage	F. L. Amps @ 230 V	% F.L. Eff.	Service Factor	"C" Dim. (Inches)	♥Notes	
1/3	1800	48C	103417.00	✓	1,533	CZ4T17VC8	30	208-230/460	1.3	70.5	1.15	9.58	S, US, 12	
1/2	3600	56C	117126.00	✓	1,497	CZ6T34VC19	38	208-230/460	1.6	82.5	1.15	10.47	S, US, 12	
	1800	48C	103418.00	✓	1,596	CZ4T17VC2	32	208-230/460	1.6	76.0	1.15	11.33	S, US, 12	
	1800	S56C	103413.00	✓	1,419	CZ4T17VC1	32	208-230/460	1.6	76.0	1.15	11.49	S, US, 12	
	1800	56C	117127.00	✓	1,577	CZ6T17VC53	39	208-230/460	1.6	78.5	1.15	10.72	S, US, 12	
3/4	3600	56C	117128.00	✓	1,550	CZ6T34VC20	45	208-230/460	2.4	84.0	1.15	10.47	S, US, 12	
	1800	S56C	103414.00	✓	1,505	CZ4T17WC2	38	208-230/460	2.3	77.0	1.15	12.50	S, US, 13	
	1800	56C	117129.00	✓	1,640	CZ6T17VC54	46	208-230/460	2.3	80.0	1.15	11.22	S, US, 12	
1	3600	56C	117130.00	✓	1,667	CZ6T34VC21	47	208-230/460	2.6	85.5	1.15	10.97	S, US, 12	
	1800	56C	117131.00	✓	1,679	CZ6T17VC55	50	208-230/460	3.0	81.5	1.15	11.69	S, US, 12	
	1 1/2	3600	143TC	121908.00	✓	1,895	CZ143T34WC6	53	208-230/460	4.0	84.0	1.15	11.75	S, US, 13
1 1/2	3600	143TC	121750.00	✓	1,773	CZ143T34WC2	53	208-230/460	4.0	82.5	1.15	11.00	S, US, 13	
	1800	56C	117297.00	✓	1,766	CZ6T17WC32	55	208-230/460	4.4	84.0	1.15	11.69	S, US, 13	
	1800	145TC	121909.00	✓	1,890	CZ143T17WC11	55	208-230/460	4.4	86.5	1.15	12.75	S, US, 13	
	1800	145TC	121751.00	✓	1,766	CZ143T17WC5	55	208-230/460	4.4	84.0	1.15	11.25	S, US, 13	
	2	3600	145TC	121910.00	✓	2,196	CZ145T34WC18	55	208-230/460	5.2	85.5	1.15	12.75	S, US, 13
	3600	145TC	121742.00	✓	2,053	CZ145T34WC10	55	208-230/460	5.2	84.0	1.15	12.50	S, US, 13	
2	1800	145TC	121743.00	✓	2,076	CZ145T17WC22	56	208-230/460	5.6	84.0	1.15	12.50	S, US, 13	
	1800	145TC	121911.00	✓	2,220	CZ145T17WC36	56	208-230/460	5.6	86.5	1.15	13.25	S, US, 13	
	1800	56C	117298.00	✓	2,076	CZ6T17WC33	56	208-230/460	5.6	84.0	1.15	12.69	S, US, 13	
	3	3600	56C	119204.00	✓	2,172	CZ6T34WC22	59	208-230/460	7.6	85.5	1.15	12.69	S, US, 13
3	3600	145TC	122119.00	✓	2,195	CZ145T17WC43	61	208-230/460	8.6	82.5	1.15	13.19	S, US, 13	

GREEN ITEMS ARE PREMIUM EFFICIENT

NOTE 12 - TENV

♥ NOTE LISTING ON INSIDE BACK FLAP

SPECIFICATIONS ARE SUBJECT TO CHANGE WITHOUT NOTICE



View On-line Technical Information



## Extreme Duck Motors with Shaft Grounding Rings (SGRs) SGRs help prevent bearing damage when running motors with AC Controls



### Three Phase - Totally Enclosed - Rigid C Face

HP	SYN RPM 60 Hz	NEMA Frame	Catalog Number	Stock	List Price	Model Number	App. Wgt. (lbs)	Voltage	F. L. Amps @ 230 V	% F.L. Eff.	Service Factor	"C" Dim. (Inches)	♥Notes
1/2	1800	56C	117906.00	√	1,697	CZ6T17VK55	40	208-230/460	1.6	78.5	1.15	10.72	S, US, 12
3/4	1800	56C	117907.00	√	1,756	CZ6T17VK56	47	208-230/460	2.3	80.0	1.15	11.22	S, US, 12
1	1800	56C	117908.00	√	1,794	CZ6T17VK57	50	208-230/460	3.0	81.5	1.15	11.97	S, US, 12
1 1/2	1800	56C	117909.00	√	1,878	CZ6T17WK41	56	208-230/460	4.4	84.0	1.15	11.69	S, US, 13
	1800	145TC	122032.00	√	1,878	CZ143T17WK20	56	208-230/460	4.4	84.0	1.15	11.25	S, US, 13
2	1800	56C	117910.00	√	2,177	CZ6T17WK42	57	208-230/460	5.6	84.0	1.15	12.69	S, US, 13
	1800	145TC	122033.00	√	2,177	CZ145T17WK54	57	208-230/460	5.6	84.0	1.15	12.50	S, US, 13

Note 12 - TENV

♥ Note listing on inside back flap

Specifications are subject to change without notice

Explosion Proof Motors

Automotive Duty Motors

Pump Motors

Washguard® Motors

Agricultural Motors

HVAC / Fan Motors

Special Voltage Motors

Definite Purpose Motors

Brake Motors

View On-line Technical Information





Explosion Proof  
Motors

Automotive  
Duty Motors

Pump  
Motors

Washguard®  
Motors

Agricultural  
Duty Motors

HVAC / Fan  
Motors

Special Voltage  
Motors

Definite  
Purpose Motors

Brake Motors



DE-FEATHERING



SCALDING



FEEDING



CUTTING



PROCESSING



SLICING



INSPECTION



DE-BONING

## There's a LEESON Washguard® Motor for every location in your facility.

LEESON offers more than 200 off-the-shelf solutions to everyday washdown motor needs. What's more, LEESON offers washdown-rated gear reducers and AC and DC controls to compliment our washdown motor line. And, when you need a specially engineered custom solution to your washdown application, think LEESON. Our flexible manufacturing processes enable custom products to be manufactured in small or large quantities.





# Washguard® Motors Selection Guide



Feature	White Duck	Washguard® II	SST Duck	Stainless Duck	Extreme Duck
Sealed Bearings	■	■	■	■	■
Potted Lead Entrance					■
Complete Motor Encapsulation					■
Nameplate Etched in Frame	■	■	■	■	■
Interior Corrosion Protected	■	■	■	■	
Motor Breathe Plugs/Drain Plugs	■	■	■	■	Not Needed for total encapsulation
Internally Locked Shaft-End Bearing	■	■	■	■	■
Shaft Seals on Both Ends of TEFC Motors	■	■	■	■	■
Viton® Seals Between Endbells and Frame				■	■
UL, CSA Listed	■	■	■	■	■
60Hz and 50Hz Data on Nameplate	■	■	■	■	■
CE Mark on Nameplate	■	■	■	■	■
O-Ring Sealed Openings				■	■
Standard Motors Include Inverter-Rated Insulation System and Marked on Nameplate—1HP and Higher	■	■	■	■	■
Local Inventory Support	■	■	■	■	
Rotor Cartridge Change-Out				■ ①	■
BISSC Approved		■			■
3-Year Warranty	■ ②	■ ②	■ ②	■ ②	■
Screw On Conduit Box Cover				■ ①	■
Pump Motor Designs	■			■	
Brakemotor Designs	■			■	
DC Motors Available	■			■	
Metric Designs Available				■	

① 56/143/145T Frame Ratings ② Premium Efficient Motors

Specifications are subject to change without notice

Explosion Proof Motors

Automotive Duty Motors

Pump Motors

Washguard® Motors

Agricultural Motors

HVAC / Fan Motors

Special Voltage Motors

Definite Purpose Motors

Brake Motors

