

HYGIENIC, ALL 300 SERIES STAINLESS STEEL, IP69K ERD

The all 300 series stainless-steel ERD incorporates hygienic design principles and has an IP69k rating (static). Available in 22, 25 & 30 sizes, the ERD is built-to-order in stroke lengths up to 1.21 m (48") with force up to 35 kN (7,868 lbf).

ALL 300 SERIES STAINLESS STEEL CONSTRUCTION

- 300 series stainless steel for corrosion resistance
- Simplifies and lowers cost of machine design by eliminating the need for protective guards around standard actuators

MULTIPLE SCREW TECHNOLOGIES YOU CAN CHOOSE:

- Ball nuts offer efficiency at a cost effective price; low-backlash available
- Roller nuts provide the highest thrust and life ratings available



USDA SCRAPER

- Available with USDA certified option



SMOOTH EXTERIOR


- This primary design decision eases cleanup and helps to prevent bacterial growth

WELDED SEAMS

- Leaving no gaps which eases cleanup and helps to prevent bacterial growth

DURABLE IP69K SEALS

- Polyurethane for IP69k ingress protection and resistance to caustic wash-down
- Clean-in-place compatible



Volumetric Filling

HYG1 option is recommended for product contact applications. See Tolomatic document #2190-4003 for requirements

Applications:

- Aligning
- Conveyors
- Chopping
- Cutting
- Dumping
- Filling
- Open/close doors
- Open/close lids
- Packaging equipment
- Slicing
- Sorting
- Volumetric pumps & more!

Available Options:

Mounting

Front Flange, Foot, Trunnion

Sensors

With mounting bracket

Environmental Protection

Food grade grease, USDA approved scraper/bracket

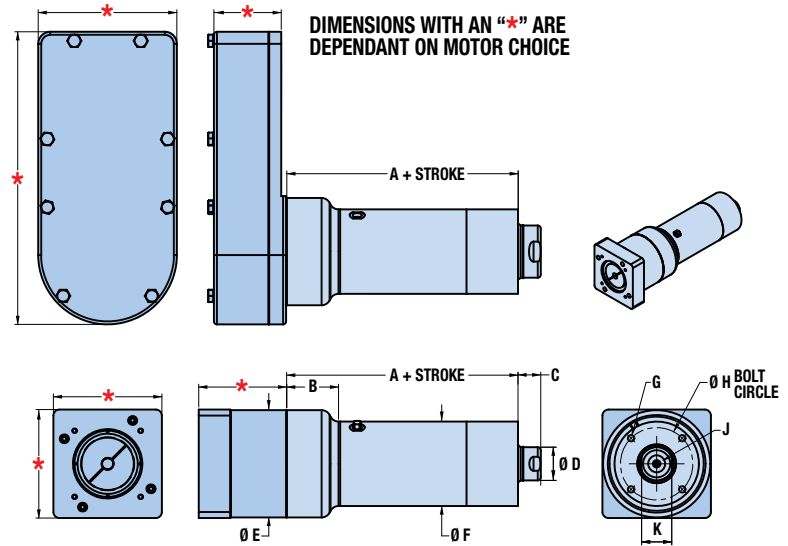
HYGIENIC, ALL 300 SERIES STAINLESS STEEL, IP69K

Specifications (metric measurement)

ERD SIZE	MAXIMUM STROKE*	SCREW CODE	LEAD	LEAD ACCURACY	BACKLASH	MAXIMUM THRUST	DYNAMIC LOAD RATING
			mm/rev	mm/300mm	mm	N	N
22	1000	BN02	12.70	0.10	0.38	7117	12615
		BN05	5.08	0.08	0.38	4226	7224
		BNM05	5.00	0.05	0.10	4448	8710
		BNM10	10.00	0.05	0.10	4003	5400
		BNM20	20.00	0.10	0.10	4448	11387
	609.6	RNM04	4.00	0.01	0.03	7562	24808
25	1000	RNM05	5.00	0.01	0.03	7562	24808
		RNM10	10.00	0.01	0.03	3781	30270
		BN01	25.40	0.102	0.05	3163	11120
		BN02	12.70	0.102	0.05	6330	29100
		BN04	6.35	0.102	0.05	12660	23300
	914.4	BNM05	5.00	0.051	0.10	8896	15101
BNM10		10.00	0.051	0.10	7784	15000	
BNM25		25.00	0.102	0.13	3114	11285	
RNM04		4.00	0.0102	0.03	14679	56768	
RNM05		5.00	0.0102	0.03	14679	56768	
30	1219	RNM10	10.00	0.0102	0.03	6672	56768
		BN04	6.35	0.102	0.38	20017	31774
		BNM05	5.00	0.051	0.10	13345	29865
		BNM10	10.00	0.051	0.10	13122	33255
		BNM20	20.00	0.051	0.13	8207	24590
	1219	RNM05	5.00	0.010	0.03	34999	56768
	RNM10	10.00	0.010	0.03	35332	56768	

Dimensions SIZE: 22, 25, 30

ERD



	A	B	C	D	Ø E	Ø F	
ERD22	mm	187.33	42.88	17.8	27.99	74.9	56.9
ERD25	mm	243.74	54.66	23.9	35.00	113.0	88.9
ERD30	mm	243.74	54.66	23.9	54.99	113.0	88.9

	G	Ø H	
ERD22	mm	M6 x 1.0 - 6H \pm 12.0 (.47")	45.49
ERD25	mm	M8 x 1.25 - 6H \pm 16.0 (.63")	76.20
ERD30	mm	M8 x 1.25 - 6H \pm 16.0 (.63")	76.20

	J	K	
ERD22	mm	M12 x 1.25 \pm 33.0 (.88")	25.40
ERD25	mm	M20 x 1.5 \pm 25.4 (1.00")	31.75
ERD30	mm	M27 x 2.0 \pm 33.0 (1.30")	50.80


COMPLETE INFORMATION, SIZING SOFTWARE AND SOLID MODELS AVAILABLE AT:
www.tolomatic.com


3D CAD LIBRARY



USA
 3800 County Road 116
 Hamel, MN 55340, USA
Phone: (763) 478-8000
Fax: (763) 478-8080
 Toll-Free: **1-800-328-2174**
sales@tolomatic.com
www.tolomatic.com

EUROPE
Tolomatic Europe GmbH
 Zeilweg 42
 60439 Frankfurt am Main
 Germany
Phone: +49 69-2045-7837
EuropeSales@tolomatic.com

CHINA
Tolomatic Automation Products (Suzhou) Co. Ltd.
(ServoWeld® inquiries only)
 No. 60 Chuangye Street, Building 2
 Huqiu District, SND Suzhou
 Jiangsu 215011 - P.R. China
Phone: +86 (512) 6750-8506
Fax: +86 (512) 6750-8507
ServoWeldChina@tolomatic.com

All brand and product names are trademarks or registered trademarks of their respective owners. Information in this document is believed accurate at time of printing. However, Tolomatic assumes no responsibility for its use or for any errors that may appear in



This document. Tolomatic reserves the right to change the design or operation of the equipment described herein and any associated motion products without notice. Information in this document is subject to change without notice.

Visit www.tolomatic.com for the most up-to-date technical information