

ECONOMICAL ROD-STYLE ELECTRIC CYLINDER

ERD

The ERD is an economical electric cylinder compatible with many NEMA & metric mount stepper and servo motors to create a flexible, powerful, yet cost-effective electric cylinder solution over traditional pneumatic cylinders.

ACTUATOR SIZING
CAD LIBRARY

COMPLETE INFORMATION, SIZING SOFTWARE AND SOLID MODELS AVAILABLE AT:
www.tolomatic.com

MULTIPLE SCREW TECHNOLOGIES

YOU CAN CHOOSE:

- Solid nuts (06, 10, 15 sizes) of engineered resins offer quiet performance at the lowest cost
- Ball nuts (10, 15, 20 sizes) offer efficiency at a cost effective price



THREADED NOSE MOUNT WITH JAM NUT



PATENTED

OVERSIZED MAIN BEARING

- Oversized for long life
- Accommodates high thrust load

INTERNAL MAGNET

- For sensor signaling

NEMA OR YOUR MOTOR HERE

THREADED ROD END

NOSE BEARING

- Engineered resins for smooth operation
- Provides critical support of thrust rod

STAINLESS-STEEL THRUST TUBE & MAIN TUBE

- 300 series stainless-steel provides high rigidity and corrosion resistance

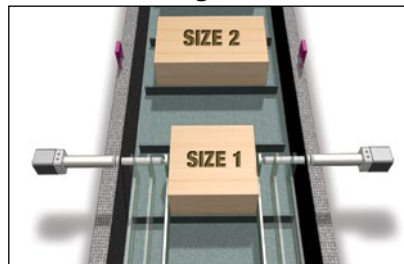
Options:

ARR – Internal Anti-rotate	SS1 – 300 Series Stainless Steel
TRR – Trunnion Mount	IP67 – IP67 Seal
PCD – Rear Clevis Mount	IP69K – IP69K Seal
FM2 – 2 Foot Mounts	GD2 – Light Duty External Guide
FFG – Front Flange	

Applications:

- Aligning
- Animation
- Assembly
- Automotive
- Conveyors
- Diverting
- Fillers
- Gating
- Material handling systems
- Medical equipment
- Open / close doors
- Packaging equipment
- Pick & place
- Plate positioning change
- Press fit
- Robot manipulator arms
- Sonic welding
- Sorting
- Volumetric pumps
- Web guidance
- Wire winding & more!

Product Change Over



Complete Your System:



EtherNet/IP
ODVA CONFORMANT

Modbus

PROFINET
PI

ACSI Integrated Motor/Drive/Controller is matched to provide optimal performance with Tolomatic actuators

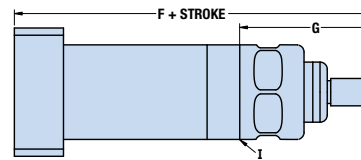
ECONOMICAL ELECTRIC: PNEUMATIC CYLINDER REPLACEMENT

Specifications (metric measurement)

ERD SIZE	MAXIMUM STROKE	SCREW CODE	LEAD	LEAD ACCURACY	BACKLASH	MAXIMUM THRUST	DYNAMIC LOAD RATING
mm			mm/rev	mm/300mm	mm	N	N
06	203.2	SN02	12.70	0.13	0.18	89	NA
		SN04	6.35	0.13	0.18	89	NA
		SN16	1.60	0.13	0.18	89	NA
10	254.0	SN01	25.4	0.18	0.18	188	NA
		SN02	12.7	0.18	0.18	188	NA
		SN05	5.08	0.18	0.18	188	NA
		BNM05	5.00	0.87	0.13	445	1068
15	304.8	SN01	25.4	0.15	0.18	334	NA
		SN02	12.7	0.13	0.18	334	NA
		SN05	5.08	0.15	0.18	334	NA
	609.6	BNM05	5.00	0.87	0.13	890	2002
		BNM10	10.00	0.87	0.13	890	1779
20	609.6	BNM05	5.00	0.87	0.13	2224	4003
		BNM10	10.00	0.87	0.13	2224	4003
		BNM20	20.00	0.87	0.10	2224	11387

ERD

Dimensions OPTION: IP67, IP69K

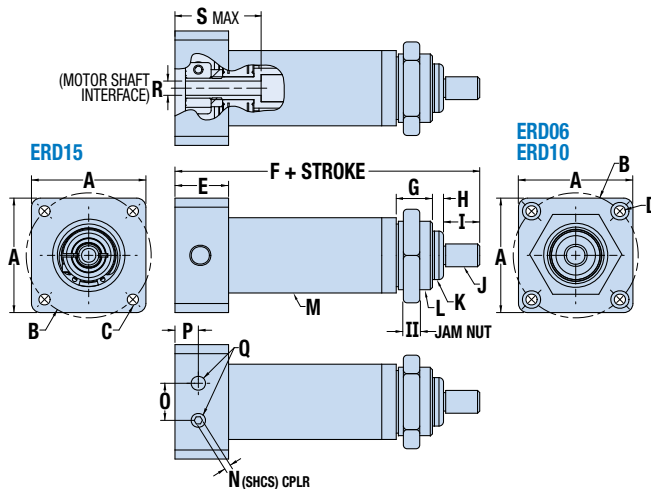


***Dimension shown is with Tolomatic AM/xxx motor hardware YMH option will determine this dimension.**

IP67 & IP69K Option replaces the Jam Nut

	ERD06	ERD10	ERD15	ERD20
IP67				
F mm	116.6	121.8	152.4*	204.8*
G mm	44.30	44.17	53.0	72.5
IP69K				
F mm	NA	NA	164.8	204.8*
G mm	NA	NA	65.7	72.5
I	Surface for mounting options			

Dimensions SIZE: 06, 10, 15, 20



	ERD06	ERD10	ERD15	ERD20
A mm	28.58	40.13	56.39*	*
B mm	Ø32.69	Ø43.82	Ø66.68*	*
C mm	-	-	M4 x 0.7*	*
D mm	Ø3.45	Ø3.91	-	*
F mm	98.5	106.7	137.2*	*
I mm	9.53	12.70	19.05	19.05
L mm	M16 x 1.5	M24 x 1.5	M34 x 1.5	M44 x 1.5
O mm	13.00	13.00	13.00	23.37
P mm	6.71	8.20	7.57*	*
Q mm	(2) M4 x 0.7 ‡2.5	(2) M6 x 1.0 ‡7.9	(2) M6 x 1.0 ‡12.7	(2) M6 x 1.0 ‡12.7

***This dimension is determined by motor choice.**

ACTUATOR SIZING

COMPLETE INFORMATION, SIZING SOFTWARE AND SOLID MODELS AVAILABLE AT:

www.tolomatic.com

CAD LIBRARY



USA
3800 County Road 116
Hamel, MN 55340, USA
Phone: (763) 478-8000
Fax: (763) 478-8080
Toll-Free: **1-800-328-2174**
sales@tolomatic.com
www.tolomatic.com

EUROPE
Tolomatic Europe GmbH
Zeilweg 42
60439 Frankfurt am Main
Germany
Phone: +49 69-2045-7837
EuropeSales@tolomatic.com

CHINA
Tolomatic Automation Products
(Suzhou) Co. Ltd.
(ServoWeld® inquiries only)
No. 60 Chuangye Street, Building 2
Huqiu District, SND Suzhou
Jiangsu 215011 - P.R. China
Phone: +86 (512) 6750-8506
Fax: +86 (512) 6750-8507
ServoWeldChina@tolomatic.com

All brand and product names are trademarks or registered trademarks of their respective owners. Information in this document is believed accurate at time of printing. However, Tolomatic assumes no responsibility for its use or for any errors that may appear in



this document. Tolomatic reserves the right to change the design or operation of the equipment described herein and any associated motion products without notice. Information in this document is subject to change without notice.

Visit www.tolomatic.com for the most up-to-date technical information