

RODLESS BELT-DRIVE ACTUATOR W/ PROFILED RAIL

MXB-P

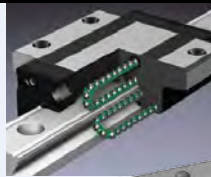
Designed for applications requiring moderate to heavy load carrying and guidance, the MXB-P actuator features a profiled rail system with recirculating ball linear guides for optimal performance. The MXB-P features speeds up to 3810 mm/sec (150 in/sec) and thrusts up to 1859 N (418 lbf). Built-to-order in stroke lengths up to 5080 mm (200 in).

OVERSIZED PULLEY BEARINGS

- Drive shaft assembly incorporates oversized shielded/sealed ball bearings for long life and high speeds

RECIRCULATING BALL BEARINGS

- High precision recirculating ball bearings allow smooth, high speed operation and permit large moment loads

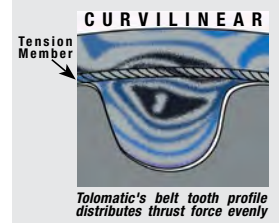


BELT TENSIONING SYSTEM

- The open slot on the guide plate permits easy access to the belt tensioning screw. No disassembly required

STEEL REINFORCED /HTD BELT PROFILE

- Belt of polyurethane material reinforced with steel tension members to produce high carrier thrusts without belt stretch.

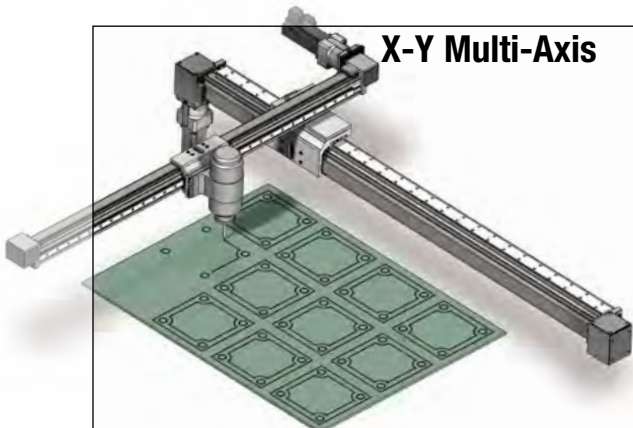


YOUR MOTOR HERE

YOU CAN CHOOSE:

- Choose ACSI (Integrated servo motor/ drive) for a complete motion solution tested and assembled at the factory
- Specify the device to be installed and actuator ships with proper mounting hardware

X-Y Multi-Axis



Applications:

- Adhesive dispensing
- Aligning
- Animation
- Assembly
- Automotive
- Camera positioning
- Conveyors
- Cutting
- Diverters
- Inspection
- Laser marking
- Material cutting
- Milling
- Packaging equipment
- Parts transfer
- Pick & place
- Positioning
- Product handling
- Slitting
- Sorting
- Spraying
- Stacking
- Table positioning
- Test stations
- Wire winding

Available Options:

Mounting

Mounting Plates, Tube Clamps,

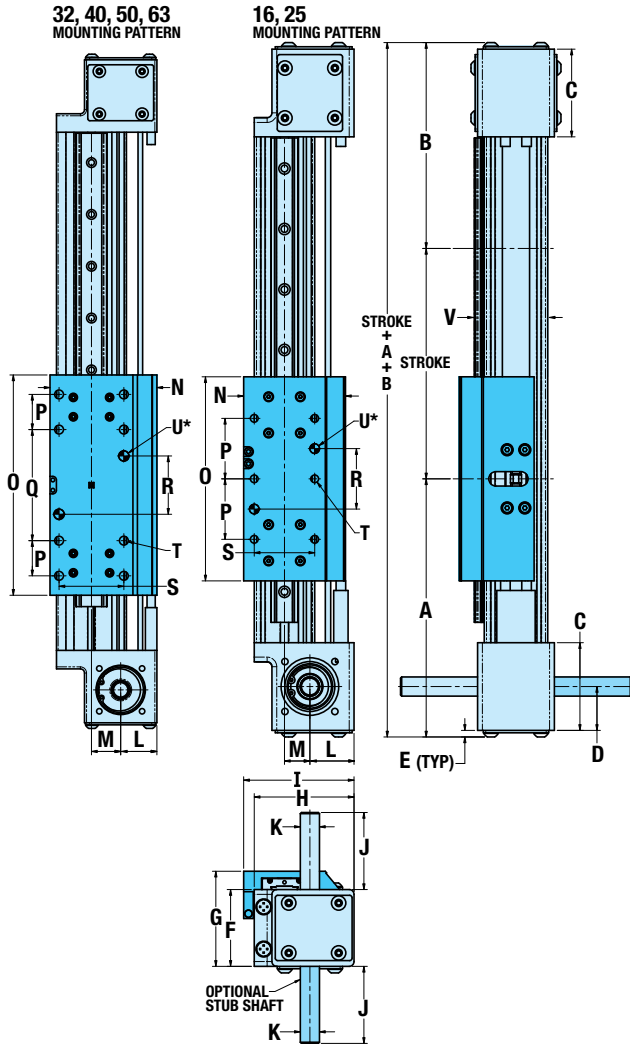
Sensors

With integrated mounting

RODLESS BELT-DRIVE ACTUATOR W/ PROFILED RAIL

MXB-P

Dimensions



	MXB16	MXB25	MXB32	MXB40	MXB50	MXB63
A	135.3	173.9	187.8	216.6	224.7	275.1
B	119.0	139.3	154.7	192.7	205.0	262.1
C	50.8	58.0	55.9	78.7	82.6	96.1

Measurements in mm

Specifications

MXB SIZE	MAX. THRUST	BELT DEAD LENGTH	MAXIMUM STROKE*	SIZE	MAX. BENDING MOMENTS			MAX. LOAD
	N	mm	mm		Mx	My	Mz	Fy & Fz
16	169	363.0	5842	16	4.5	38.3	38.3	966
25	672	475.5	5181	25	14.3	56.7	42.6	1,996
32	930	556.0	5156	32	25.6	152.0	152.0	2,531
40	1112	633.7	5130	40	68.2	216.0	216.0	3,274
50	1446	692.2	5130	50	91.7	394.0	394.0	4,510
63	1859	917.2	2590	63	115.0	603.0	603.0	5,745

Max. Velocity 3810 mm/sec

Temp. Range -12 to 54 °C

Repeatability ± 0.051 mm

	MXB16	MXB25	MXB32	MXB40	MXB50	MXB63
D	25.4	29.0	25.4	39.4	40.0	45.3
E	3.8	4.4	4.4	4.4	4.4	4.4
F	44.5	50.8	69.9	82.6	98.4	111.1
G	53.2	62.9	84.6	98.7	129.6	145.6
H	52.8	66.0	77.5	93.8	110.6	139.3
I	54.8	73.0	82.5	103.9	117.9	147.1
J(LMI)	15.0	57.7	57.7	47.5	47.5	47.5
J(RP)	46.6	57.7	57.7	47.5	47.5	47.5
K	Ø9.53	Ø12.70	Ø12.70	Ø12.70	Ø12.70	Ø12.70
L	26.4	29.2	27.9	39.7	41.5	52.2
M	11.4	16.8	22.6	22.2	29.8	37.1
N	45.3	67.4	82.5	97.8	117.4	150.6
O	110.0	135.0	170.0	200.0	216.0	304.8
P	40.0	40.0	27.1	25.4	25.4	40.0
Q	—	—	85.7	114.3	69.8	130.0
R	40.00	40.00	45.00	63.50	38.10	65.00
S	28.00	40.00	50.00	72.00	79.38	98.30
T	M4x0.7	M6x1.0	M8x1.25	M8x1.25	M8x1.25	M10x1.5
U	Ø4.045 /	Ø6.045 /	Ø8.045	Ø8.045	Ø8.045	Ø10.045
	4.020	6.020	/8.020	/8.020	/8.020	/10.020
V	∇6.35	∇6.35	∇9.53	∇12.70	∇12.70	∇12.70
	30.00	40.00	54.00	64.00	78.74	100.00

ACTUATOR SIZING

COMPLETE INFORMATION, SIZING SOFTWARE AND SOLID MODELS AVAILABLE AT: www.tolomatic.com

3D CAD LIBRARY



USA
3800 County Road 116
Hamel, MN 55340, USA
Phone: (763) 478-8000
Fax: (763) 478-8080
Toll-Free: **1-800-328-2174**
sales@tolomatic.com
www.tolomatic.com

EUROPE
Tolomatic Europe GmbH
Zeilweg 42
60439 Frankfurt am Main
Germany
Phone: +49 69-2045-7837
EuropeSales@tolomatic.com

CHINA
Tolomatic Automation Products (Suzhou) Co. Ltd.
(ServoWeld® inquiries only)
No. 60 Chuangye Street, Building 2
Huqiu District, SND Suzhou
Jiangsu 215011 - P.R. China
Phone: +86 (512) 6750-8506
Fax: +86 (512) 6750-8507
ServoWeldChina@tolomatic.com

All brand and product names are trademarks or registered trademarks of their respective owners. Information in this document is believed accurate at time of printing. However, Tolomatic assumes no responsibility for its use or for any errors that may appear in



this document. Tolomatic reserves the right to change the design or operation of the equipment described herein and any associated motion products without notice. Information in this document is subject to change without notice.

Visit www.tolomatic.com for the most up-to-date technical information