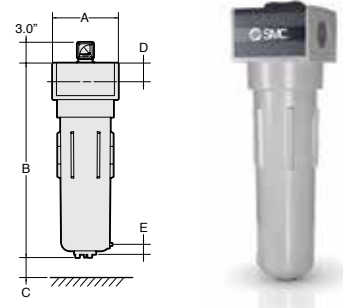


Threaded Compressed Air Filters - Series AFW

Features

- Flow rates up to 1,500 SCFM, connections to 3" NPT
- Suitable for use with mineral and synthetic oils as well as oil free
- Differential pressure indicators and float type auto drains standard



Specifications

Filter 1)	Element 1)	Flow Rate (SCFM)	NPT Connections 1/8"m			Max. Working Pressure	Max. Temperature	Dimensions Inch					Weight (Lbs)
			In/out	Bottom	Side			A	B	C	D	E	
AFW150-N10DG-E * 2)	EL-AFW150-E*	150	1"	1/4"	1/8"	230 psi	250° F	4 1/2"	14"	6"	1 1/2"	1 1/4"	5.5
AFW225-N14DG-E * 2)	EL-AFW225-E*	225	1-1/2"	1/4"	1/8"			5-3/4"	19"	6-1/2"	2"	1-1/2"	12.0
AFW300-N14DG-E * 2)	EL-AFW300-E*	300											
AFW450-N20DG-E*	EL-AFW450-E*	450	2"	1/2"	1/4"			9"	27-1/2"	7"	2-1/2"	12.5	
AFW650-N20DG-E*	EL-AFW650-E*	650											
AFW1000-N30DG-E*	EL-AFW1000-E*	1,000	3"	1/2"	1/4"			32-1/2"	32				
AFW1250-N30DG-E*	EL-AFW1250-E*	1,250											
AFW1500-N30DG-E*	EL-AFW1500-E*	1,500											

1) Specify filtration grade in part number by replacing *. 5 = 5µm, 1 = 1µm, A = 0.01µm, C = activated carbon
 2) If 145 psi pressure rating is acceptable, the equivalent AFF / AM* model is preferred.

Element Specifications

Filtration Grade	E5	E1	EA	EC
Description	General Purpose	Prefiltration / Coalescing	High Efficiency Coalescing	Activated Carbon
Particle Removal µm	5	1	0.01	0.01
Max. Particle size class 4)	3	2	1	1
Max. Oil Content Class 4)	4	2	1	1
Max. Oil Carryover 68°F (20°C), ppm	5	0.1	0.01	0.003
Recommended Temperature, °F	100			77
Max. Temperature, °F	250			
Max. Working Pressure, psig	300 (element only, see housing rating)			
Pressure Loss - Clean & Dry, psid	0.5	1	1.5	1.1
Pressure Loss - Oil Saturated, psid	1	2	3	N/A
Pressure Loss - Change Element, psid	6			
Element Media	Borosilicate Microfiber Multi-Wrap			Carbon Impregnated Paper

4) Per ISO 8573-1

Accessories - Filters

Description	Outlet Port Size (NPT)	Applicable Body Size		
		AFW150	AFW225-650	AFW1000-1500
Connection Kit		AFW-CK150	AFW-CK650	AFW-CK1500
Mounting Bracket Kit (2 per kit)		AFW-BK150	AFW-BK650	AFW-BK1500
Port Plate Kits 3)	1/2"	AFW-E150-N04	N/A	N/A
	3/4"	AFW-E150-N06		
	1"	AFW-E150-N10		
	1-1/2"	AFW-E150-N14	AFW-E650-N14	
	2"	N/A	AFW-E650-N20	

3) Port plate kits packaged each, 2 port plate kits required to convert both sides of the housing

Replacement Parts - Filters

Description	Part Number	Comments
Float Type Auto Drain	AFW-ADVW16	Replacement for Plastic Drain Valves AFW150-1500, 2016 and older
	AFW-DVAS16	Replacement for Metal Drain Valves AFW150-1500, 2016 and newer
Differential Pressure Indicator	AFW-DP-GAUGE	-
Differential Pressure Remote Alarm	AFW-DP-REMOTE	-

Correction Factor

For maximum flow rate, multiply model flow rate shown in the specification table by the correction factor shown below corresponding to the working pressure. This applies to all filtration grades as well as the water separator models.

Example: AFW650-N20-E1

Rated flow = 650 SCFM, working pressure = 115 psi
Correction factor = 1.07 → max flow = 650 x 1.07 = 696 SCFM

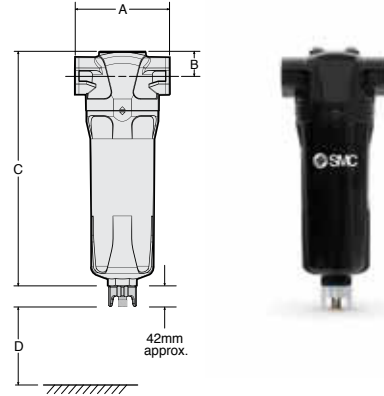
Operating Pressure (psi)	4	9	14.5	29	44	58	72	87	100	115	130	145	160	174	189	203	218	232
Correction Factor	0.21	0.29	0.38	0.53	0.65	0.76	0.84	0.92	1.00	1.07	1.13	1.19	1.25	1.31	1.36	1.41	1.46	1.51

Centrifugal Water Separators - Series AFW-WS

Features

- Flow rates up to 1,500 SCFM
- Threaded connections to 3" NPT
- Suitable for use with mineral and synthetic oils as well as oil free
- Float type auto drains standard up to 1500 SCFM
- Float and drain can be changed from outside bowl

Max. recommended operating temperature	248°F (176°F w/float drain)
Min. recommended operating temperature	35°F
Typical pressure loss at rated flow	0.7 psi
Max. working pressure	232 psig (300 psig w/manual drain)



Specifications - Centrifugal Water Separators (Threaded)

Model Number	Flow Rate	Dimensions (in)				Connections		Weight
	SCFM	A	B	C	D	In/Out	Bottom*	Lbs
AFW175A-N10D-WS	175	5.0	1.3	11.2	3.1	1" NPT	3/4" G (w/o auto drain)	3.75
AFW275A-N12D-WS	280					1-1/4" NPT		
AFW400A-N14D-WS	400	6.7	2.1	20.0	3.9	1-1/2" NPT	1/8" NPT (female connections on auto drain)	10.80
AFW700A-N20D-WS	700					2" NPT		
AFW850A-N25D-WS	850	8.7	2.8	16.5	3.9	2-1/2" NPT	17.64	
AFW1500A-N30D-WS	1500					3" NPT		

*Bottom drain, with mechanical float drain.

Accessories - Water Separators

Description	Applicable Body Size			Applicable Body Size (Old Style)			
	AFW175	AFW400~700A	AFW850A~1500A	AFW175	AFW275~325	AFW400~700	AFW850~1500
Wall Mounting Bracket Kit	AFW-MBK175A	AFW-MBK700A	AFW-MBK1500A	AFW-MBK175	AFW-MBK325	AFW-MBK700	AFW-MBK1500
Connecting kit, 2 housings	AFW-CK175-2A	AFW-CK700-2A	AFW-CK1500-2A				
Connecting kit, 3 housings	AFW-CK175-3A	AFW-CK700-3A	AFW-CK1500-3A				
Connecting kit, 4 housings	AFW-CK175-4A	AFW-CK700-4A	AFW-CK1500-4A				

Replacement Parts - Water Separators

Description	Part Number	Comments
Float Type Auto Drain, N.O.	AFW-ADVS16	Optional type for AFW175A~1500A-WS
	AFW-ADVSE16	Externally accessible type, standard for AFW175A~1500A-WS
Manually operated drain valve	AFW-MDV25	Optional type for AFW175A~1500A-WS
	AFW-MDVE25	Externally accessible type, for AFW175A~1500A-WS, 300 psi
Float Type Auto Drain, N.O.	AFW-DVAS16	Replacement for metal drain valves, AFW175~1500-WS (old style)
Spinner	AFW-CM-059-108	Replacement for AFW175-WS, AFW175A-WS
	AFW-CM-128-159	Replacement for AFW275~325-WS, AFW275A-WS
	AFW-CM-159-208	Replacement for AFW400~700-WS, AFW400A~700A-WS
	AFW-CM-254-340	Replacement for AFW850~1500-WS, AFW850A~1500A-WS

Consult Factory for Higher Flow Flanged Filter or Water Separator Units